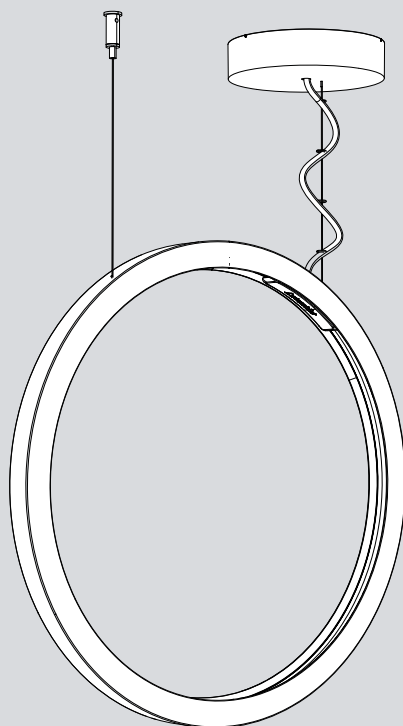


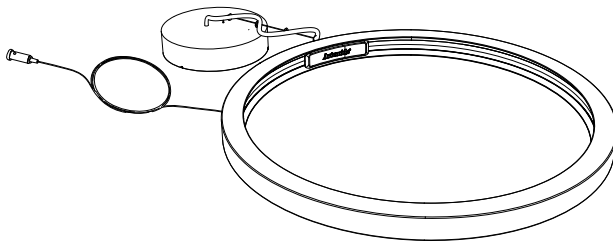
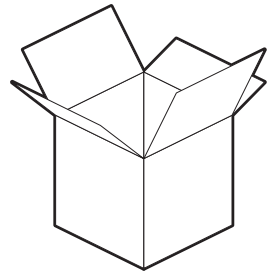
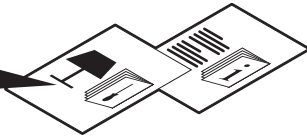
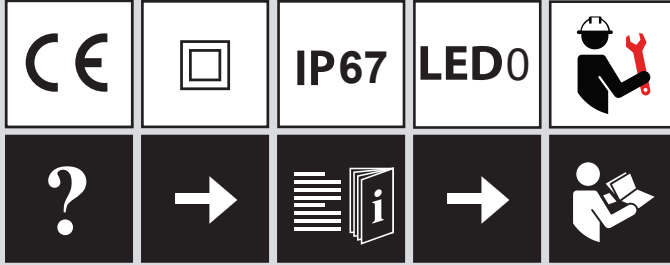
“O” 45 Suspension

design
Elemental

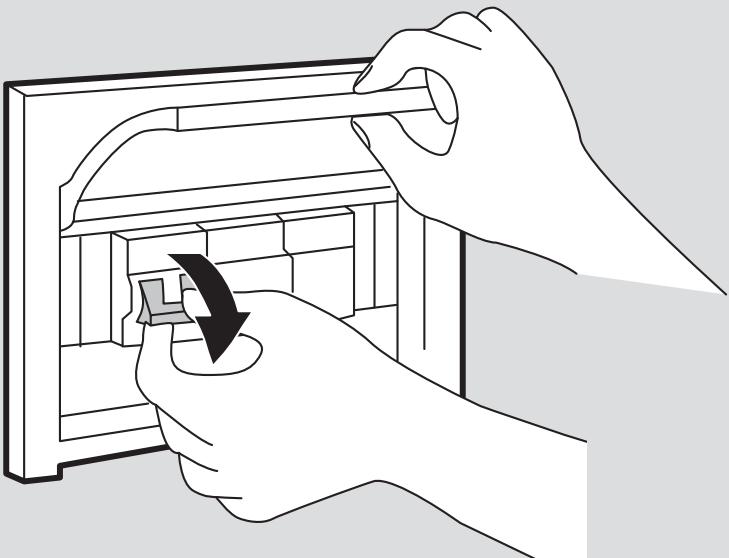
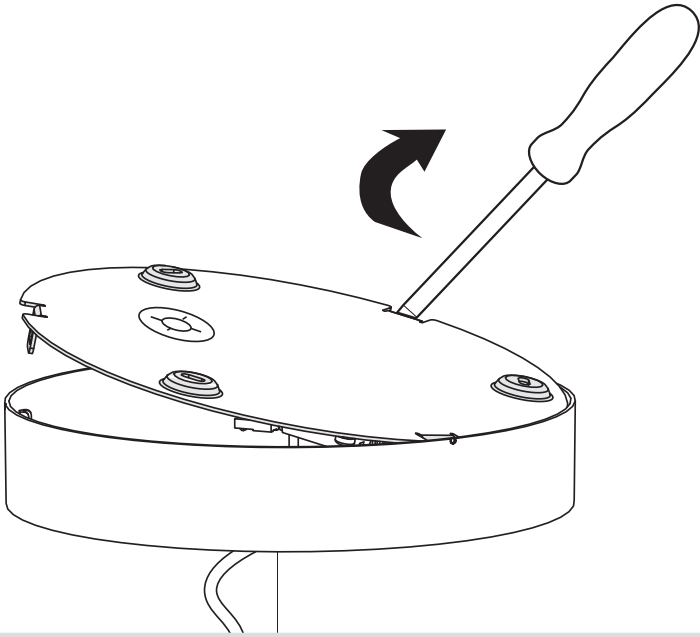




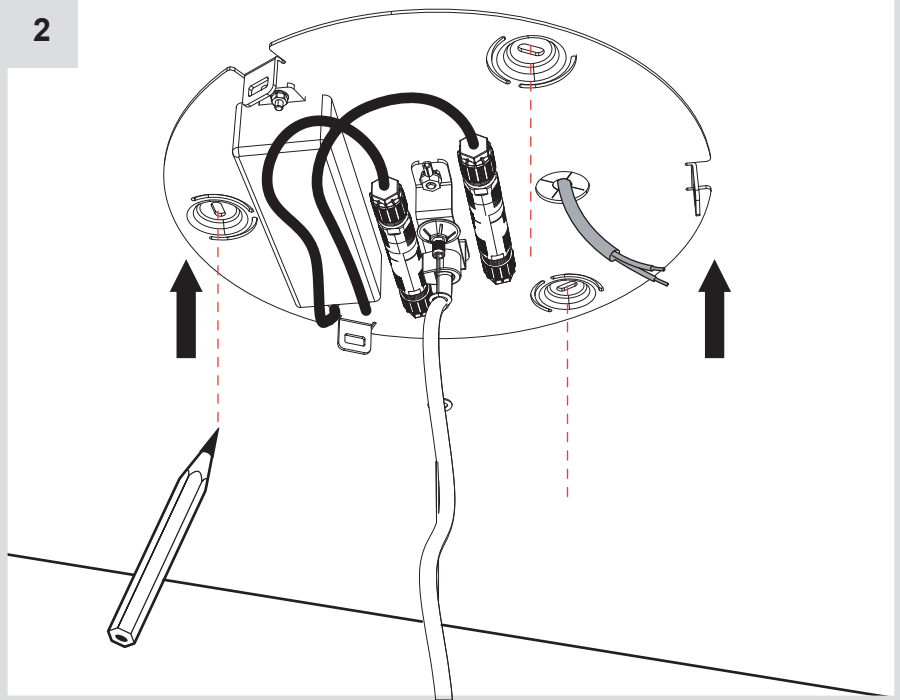
i



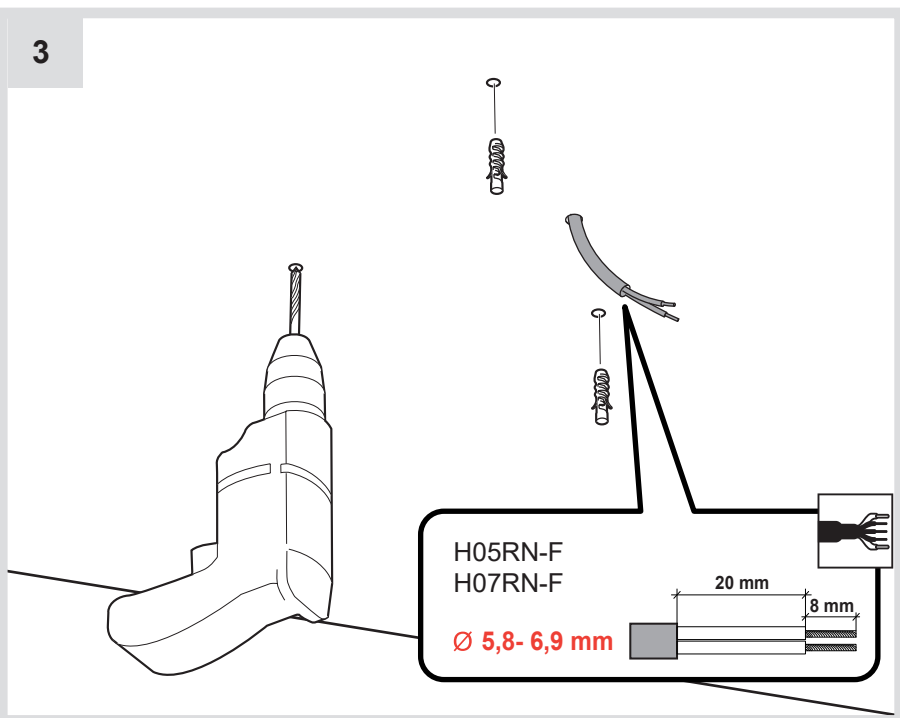
1



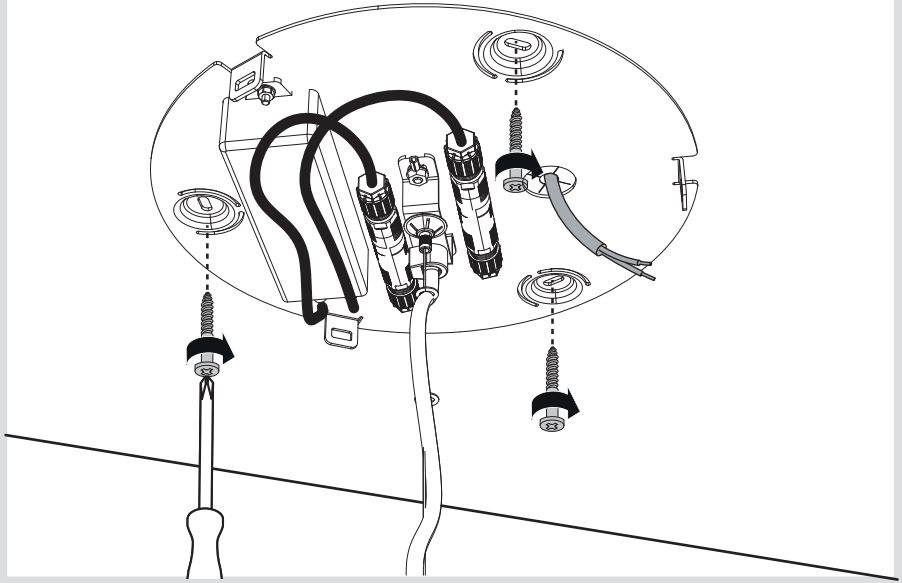
2



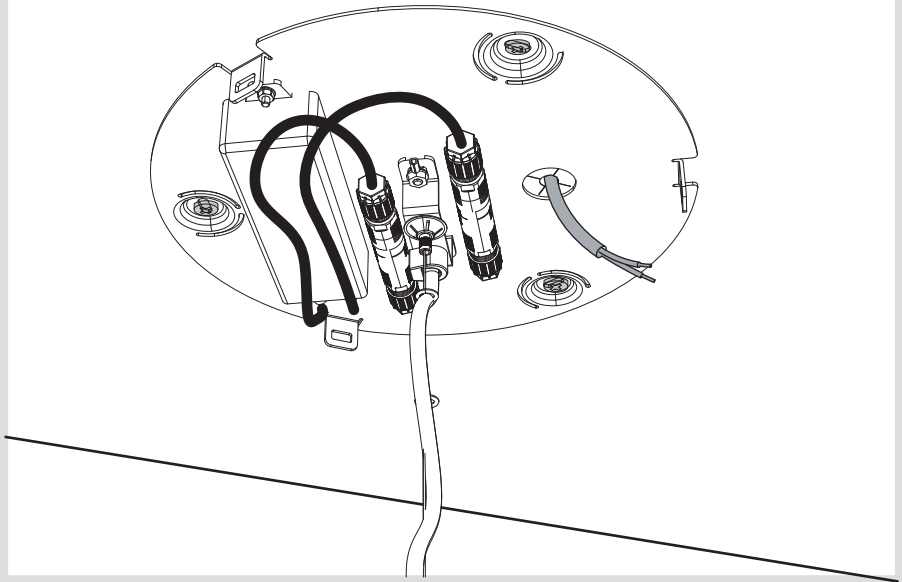
3



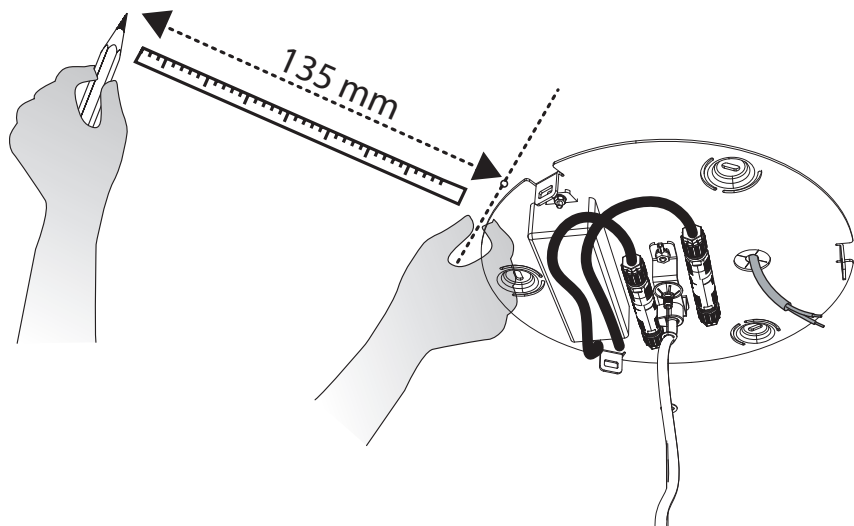
4



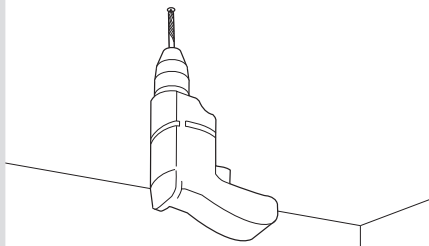
5



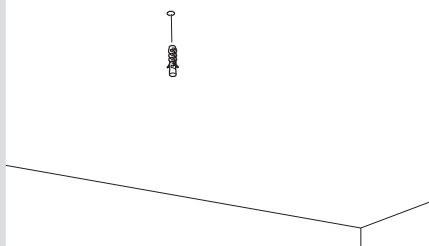
6



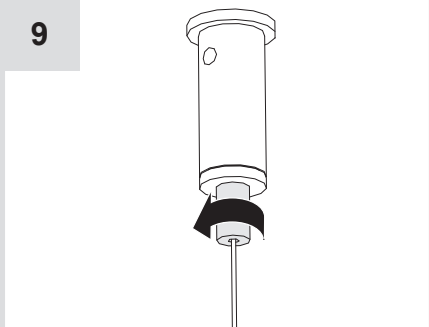
7



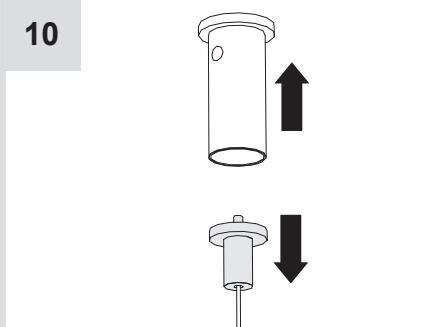
8



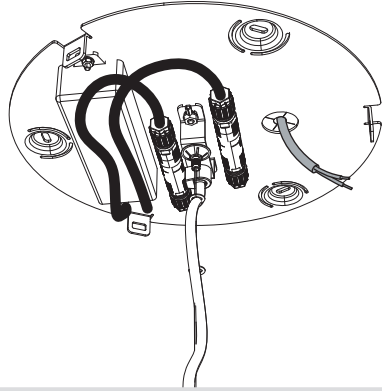
9



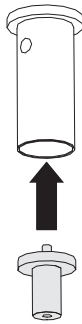
10



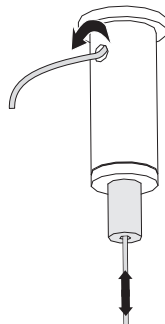
11



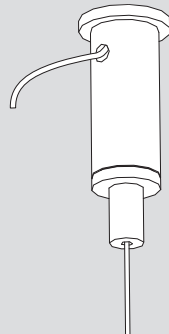
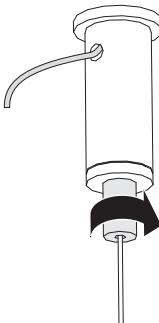
12

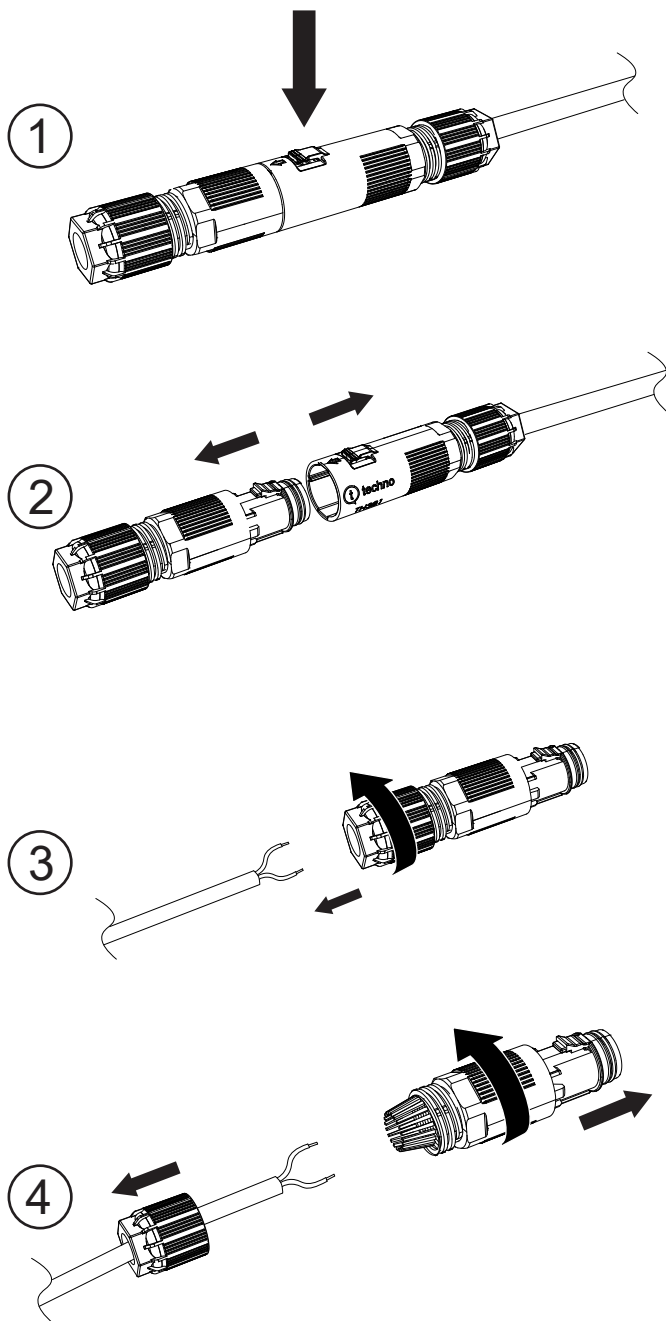


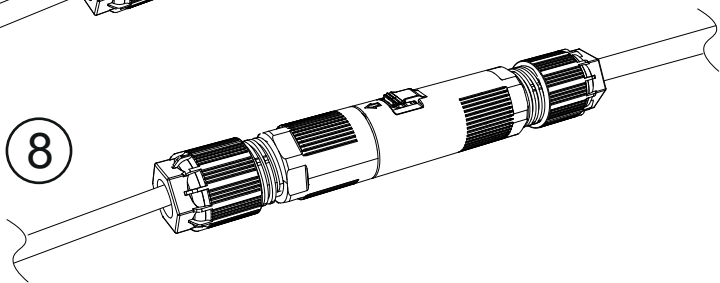
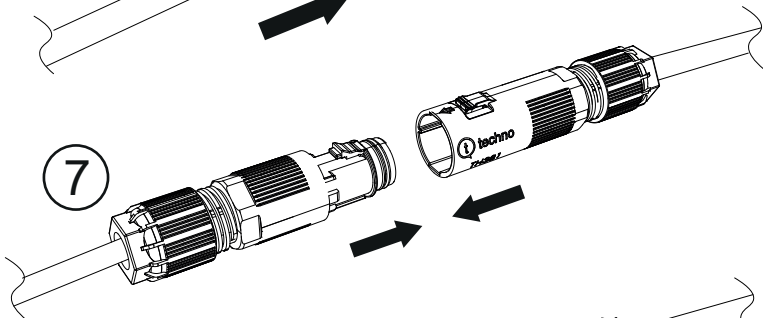
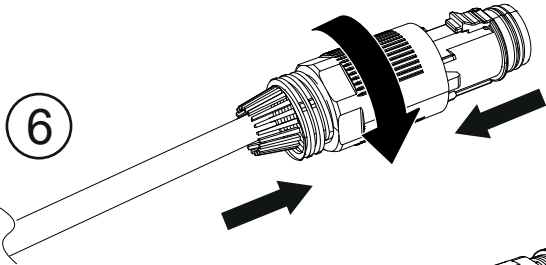
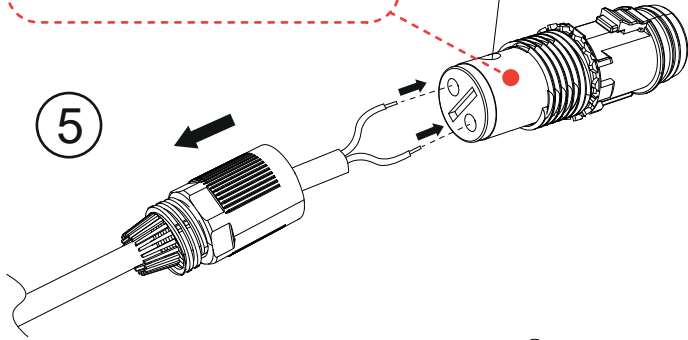
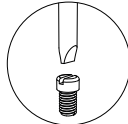
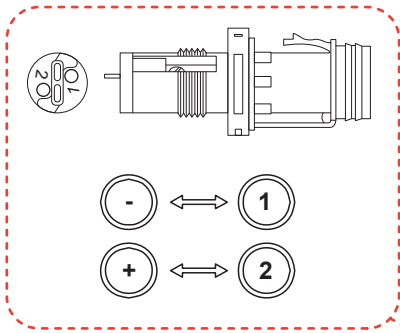
13



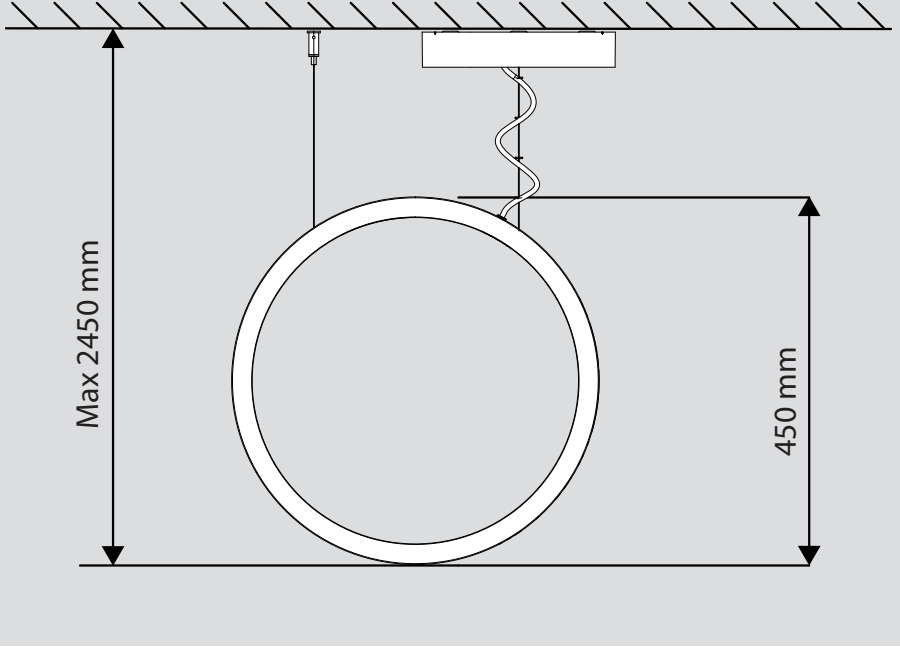
14



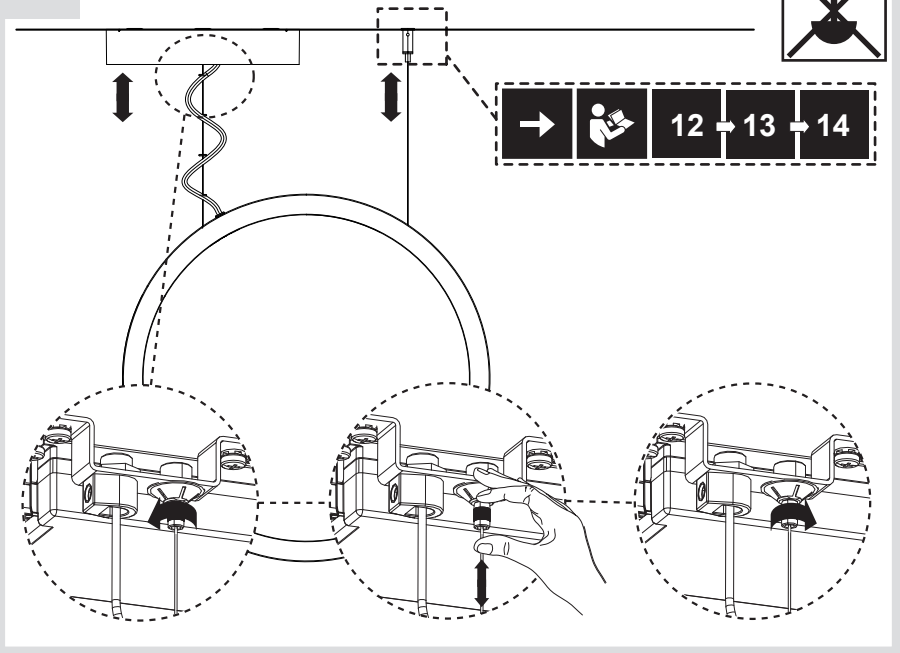


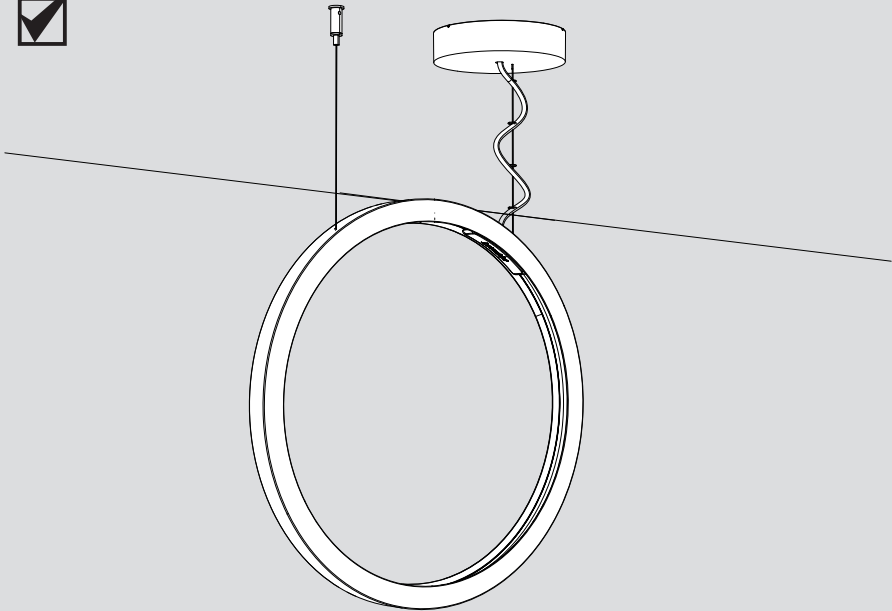
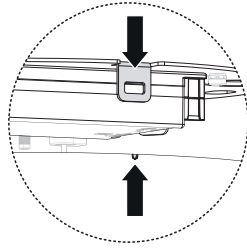
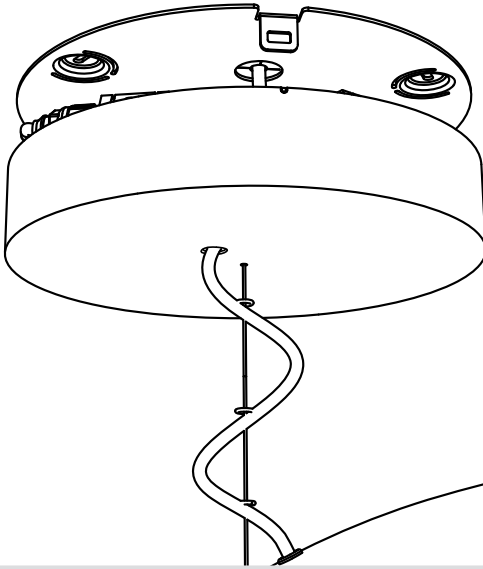


i



17





Artemide[®]
ARCHITECTURAL



Artemide

via Bergamo, 18
20006 Pregnana M.se (MI)
ITALIA

tel. +39 02 935 181
fax +39 02 935 90 254
fax +39 02 935 90 496

www.artemide.com

VAT IT00846890150

cod. Y513001292A