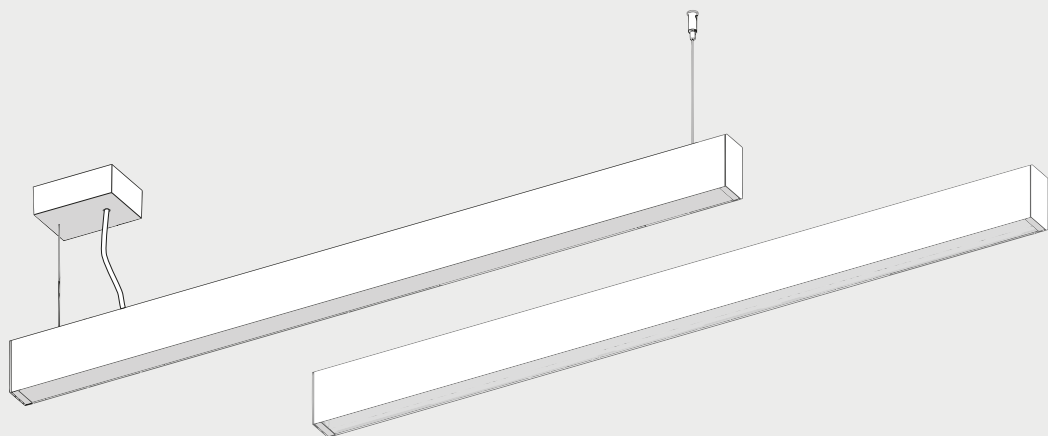


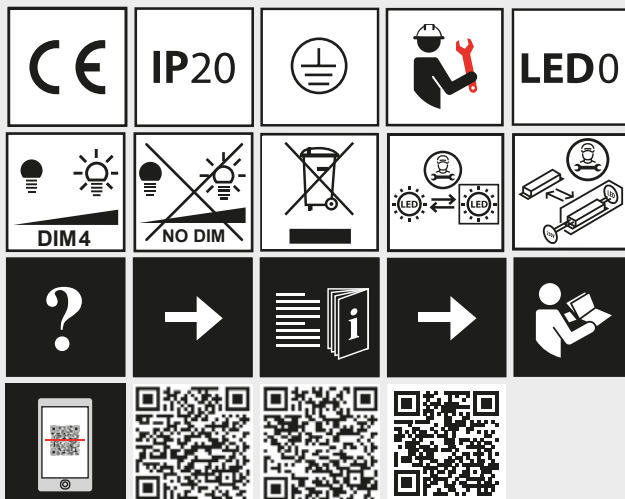
A.39 CEILING AND SUSPENSION

design
C. de Bevilacqua





i



Artemide App
Starting Guide

DIFFUSED EMISSION

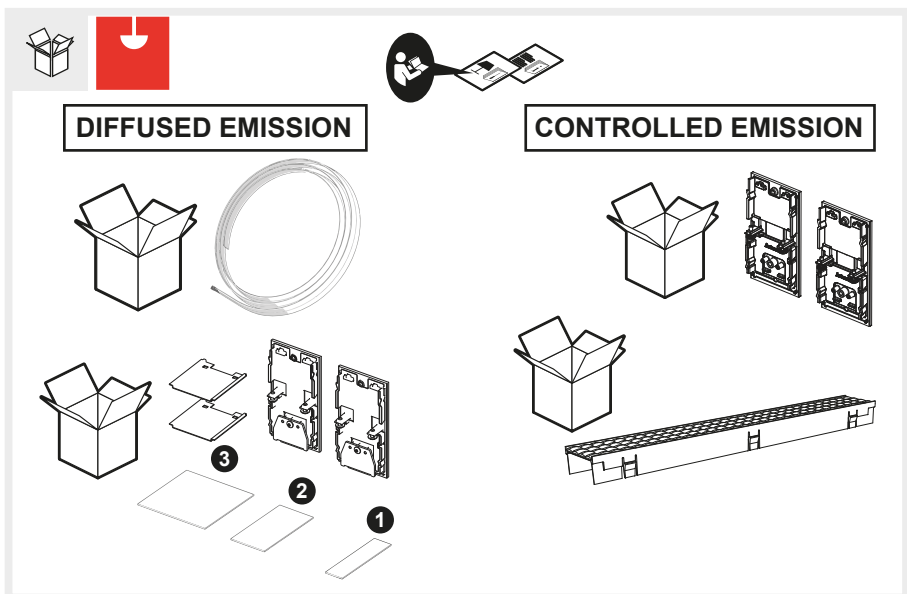
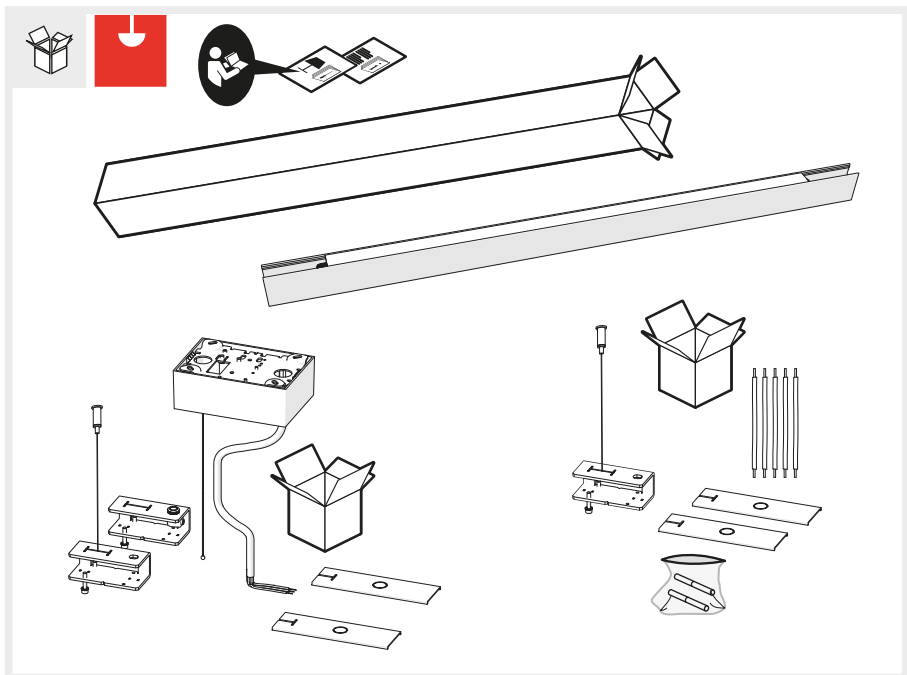
EMISSION	DIMMING	LENGTH [mm]	POWER [W]	Inrush current [A]	Inrush current time [µsec]	Nr. of power units under same MCB			Nr. of DALI addresses
						B16A	C16A	C20A	
DIRECT	NO DIM	1184	20	14,1	240	20	38	55	-
		1482	25	14,1	240	19	36	53	-
		2368	40	20	240	15	30	42	-
		2960	49	20	240	12	25	36	-
	DALI	1184	20	26	140	20	38	55	1
		1482	25	26	140	19	36	53	1
		2368	40	24,9	215	15	30	42	1
		2960	49	24,9	215	12	25	36	1
DIRECT + INDIRECT	NO DIM	1184	34	14,1	240	17	33	47	-
		1482	45	20	240	13	27	38	-
		2368	70	34,1	240	9	17	23	-
		2960	88	40	280	7	14	19	-
	DALI	1184	34	26	140	17	33	47	1
		1482	45	24,9	215	13	27	38	1
		2368	70	50,9	215	9	17	23	2
		2960	88	49,8	215	7	14	19	2

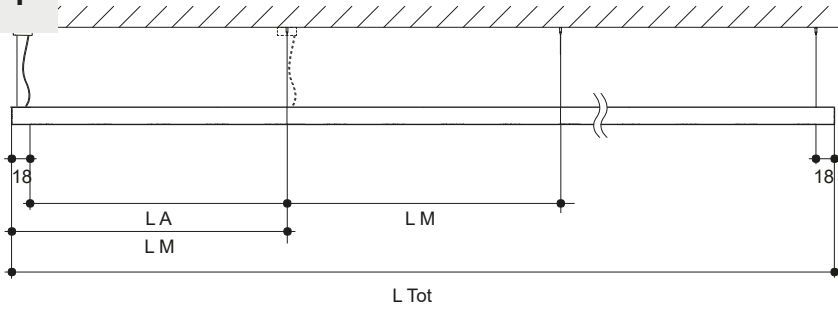
CONTROLLED EMISSION

EMISSION	DIMMING	LENGTH [mm]	POWER [W]	Inrush current [A]	Inrush current time [µsec]	Nr. of power units under same MCB			Nr. of DALI addresses
						B16A	C16A	C20A	
DIRECT	NO DIM	1184	34	14,1	240	17	33	47	-
		1482	42	20	240	14	28	40	-
		2368	66	20	240	9	18	25	-
		2960	82	20	240	7	14	20	-
	DALI	1184	34	26	140	17	33	47	1
		1482	42	24,9	215	14	28	40	1
		2368	66	24,9	215	9	18	25	1
		2960	82	24,9	215	7	14	20	1
DIRECT + INDIRECT	NO DIM	1184	57	20	240	10	22	30	-
		1482	73	20	240	8	16	22	-
		2368	116	40	240	5	10	14	-
		2960	149	40	240	2	8	9	-
	DALI	1184	57	24,9	215	10	22	30	1
		1482	73	24,9	215	8	16	22	1
		2368	116	49,8	215	5	10	14	2
		2960	149	49,8	215	2	8	9	2

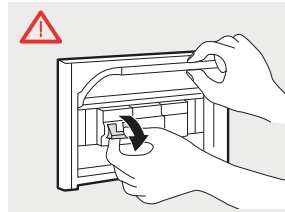
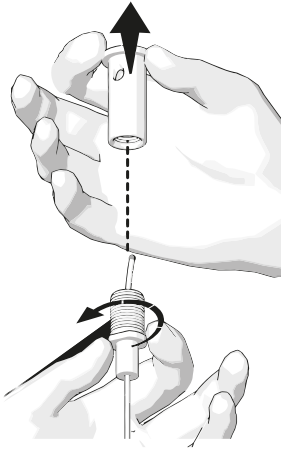
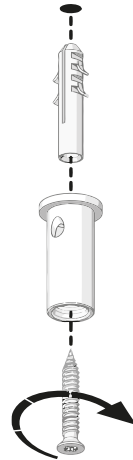


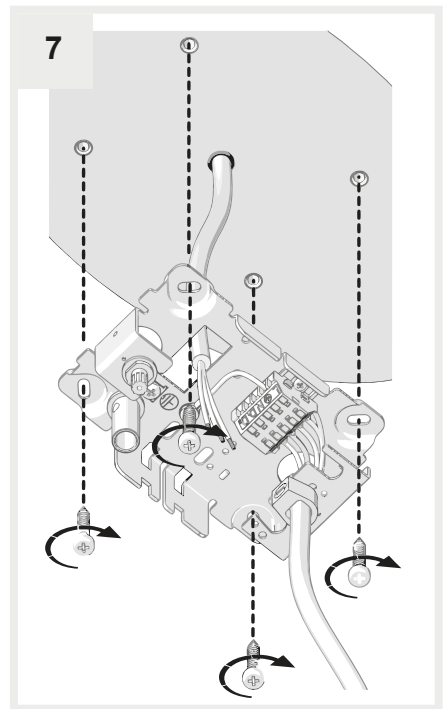
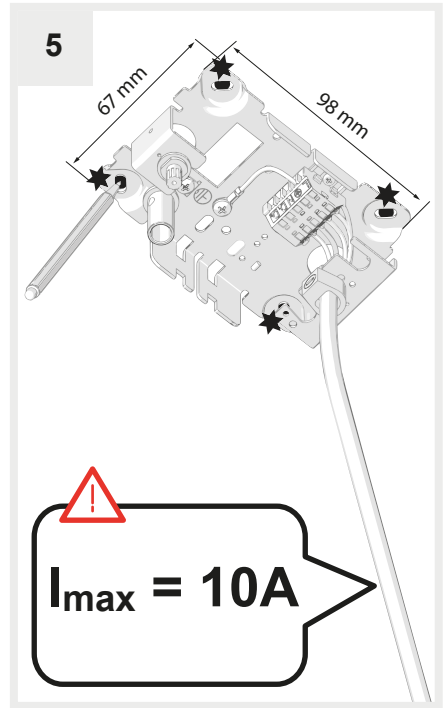
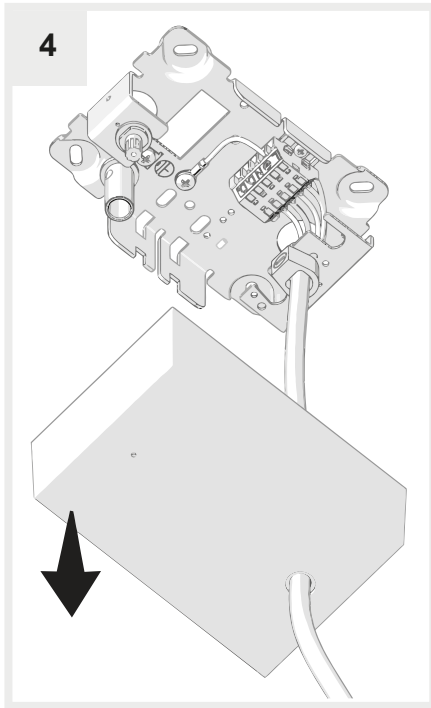
A. 39 SUSPENSION



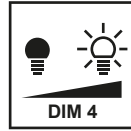
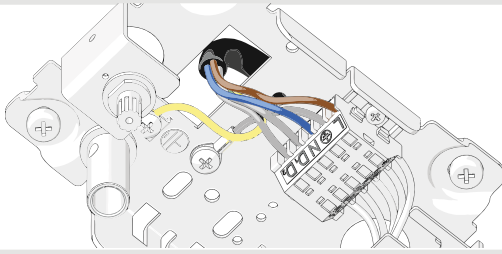
1

CEILING DRILING LAY-OUT		
LM [mm]	LA [mm]	⊕ Kg
1184	LM-18 mm	2,3
1480		2,9
2368		4,4
2960		5,7

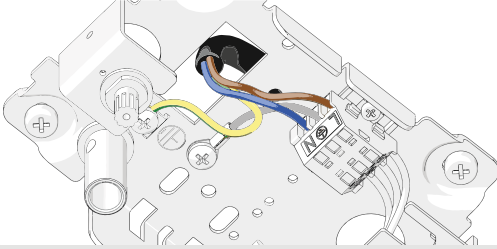
**2****3**



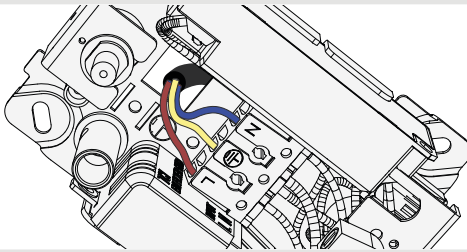
8a



8b



8c

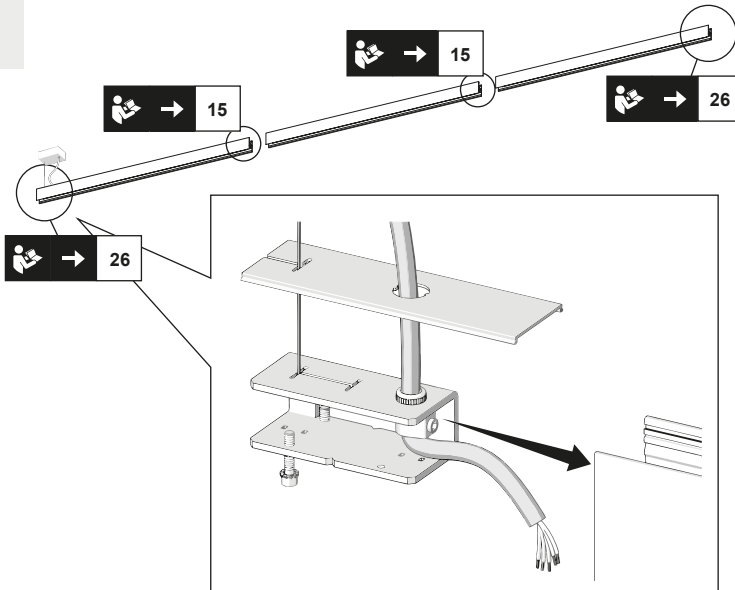


AT10500APP



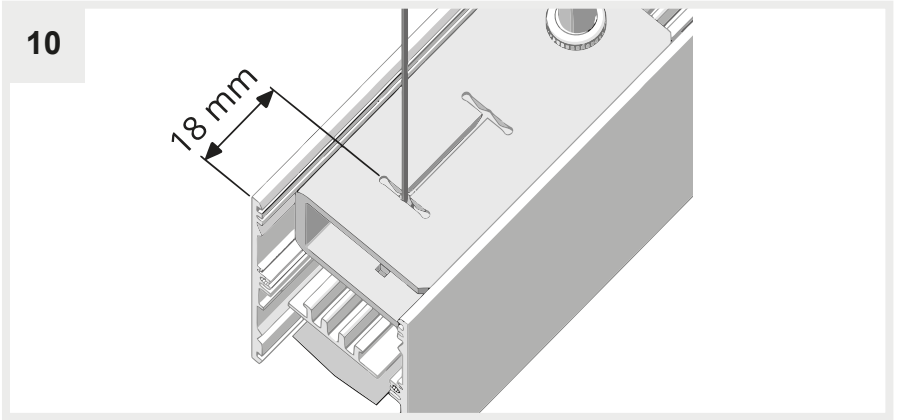
MAX 40
DALI ADDRESSES

9



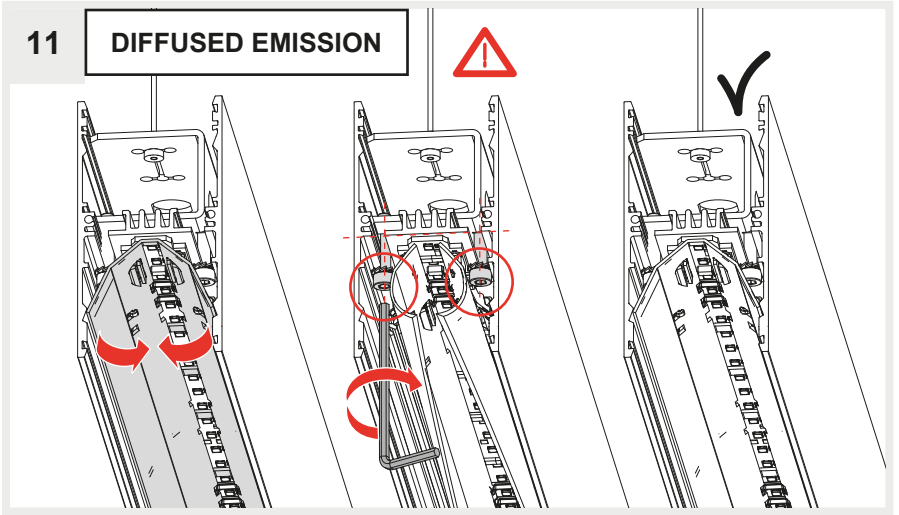
10

18 mm



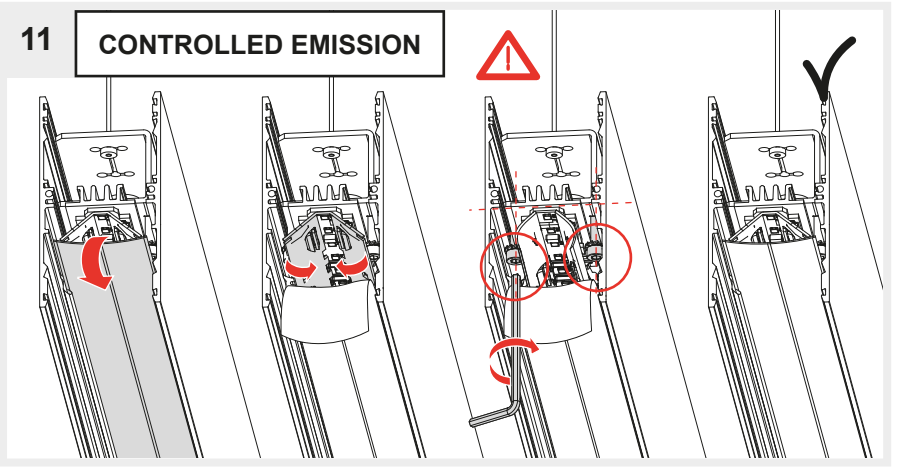
11

DIFFUSED EMISSION

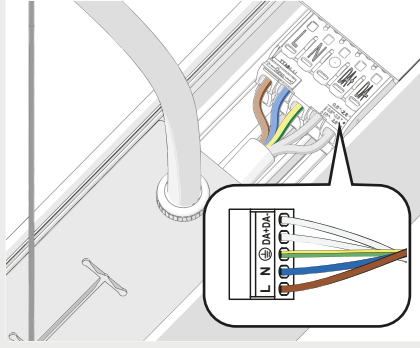


11

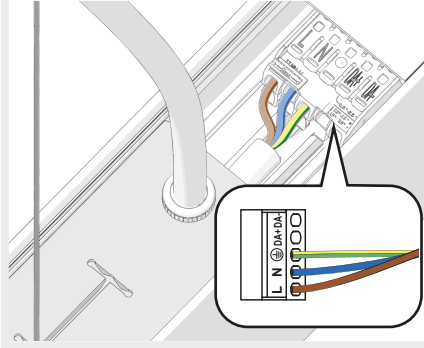
CONTROLLED EMISSION



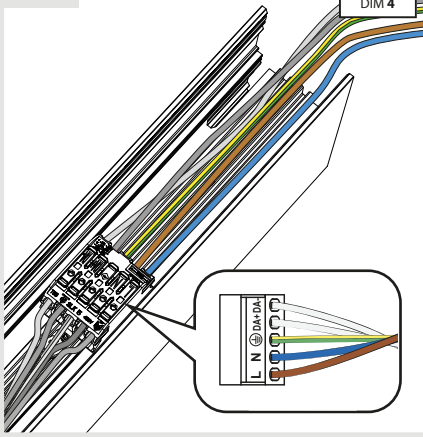
12a



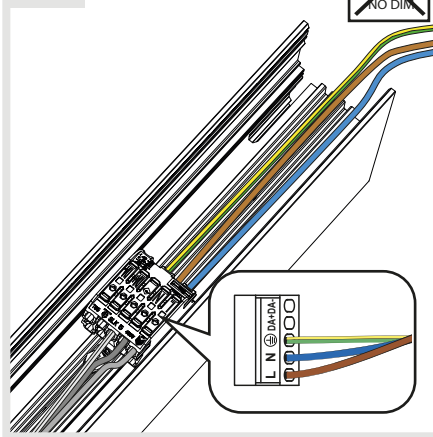
12b



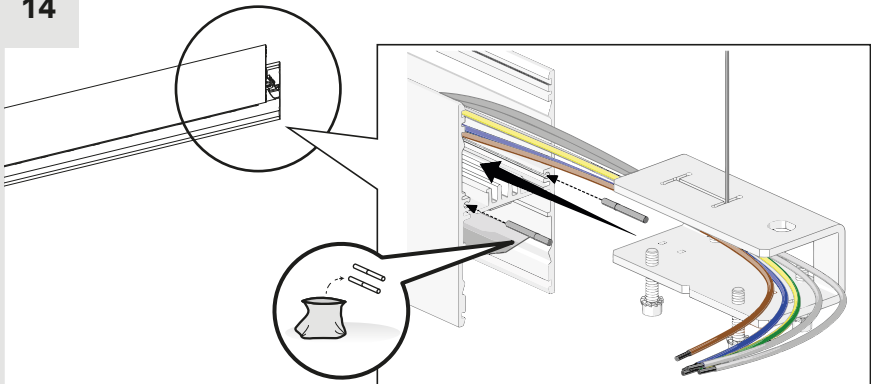
13a



13b

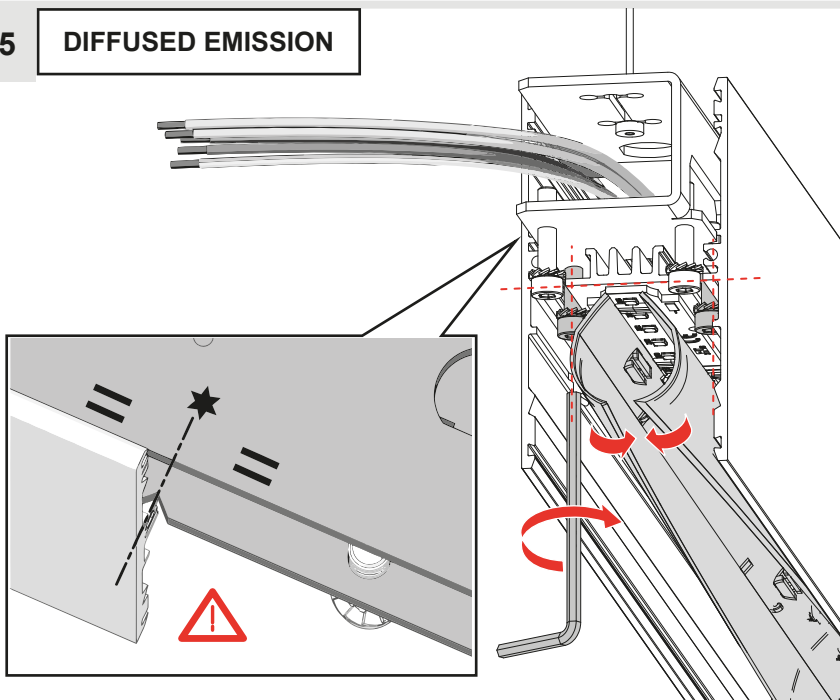


14



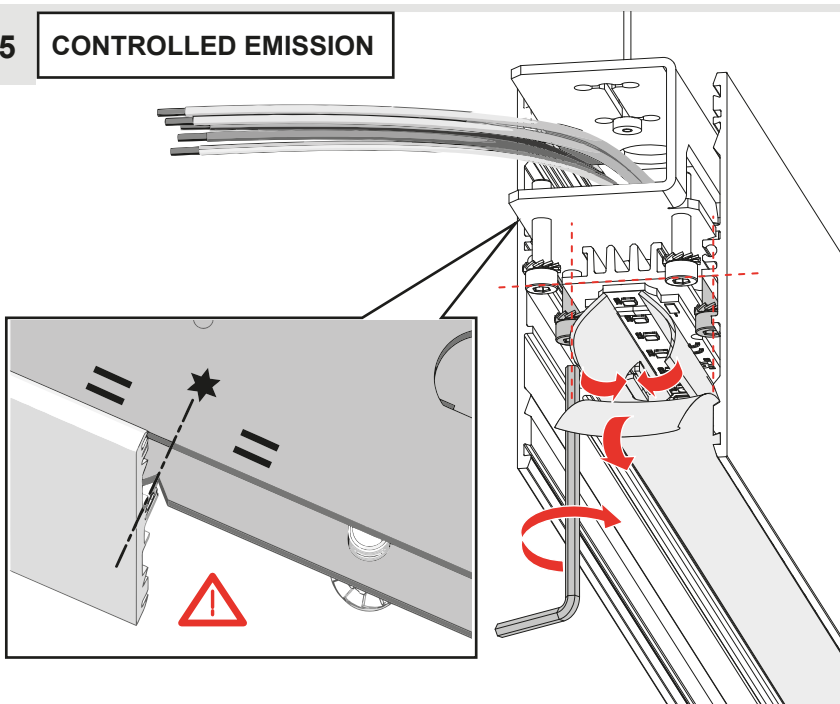
15

DIFFUSED EMISSION

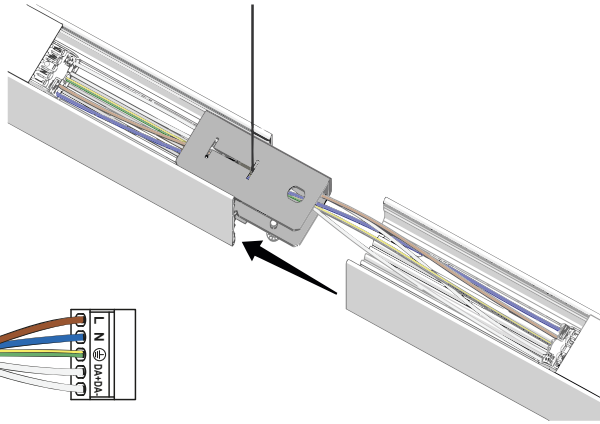
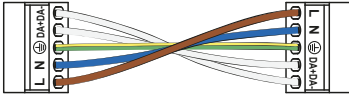


15

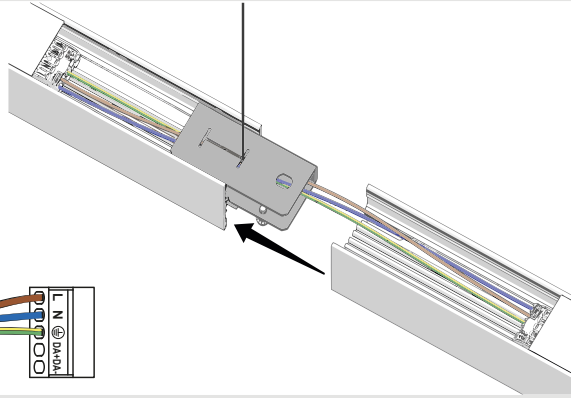
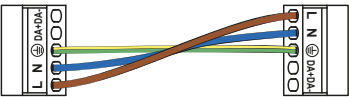
CONTROLLED EMISSION



16

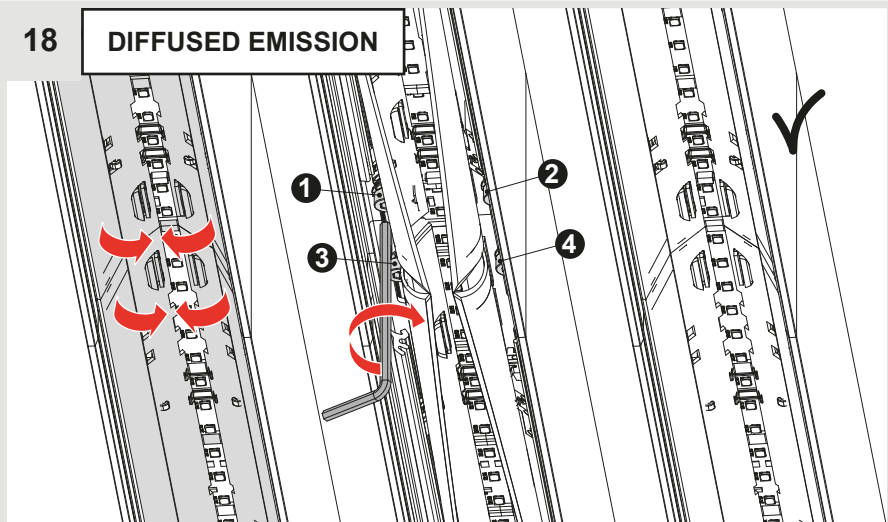


17



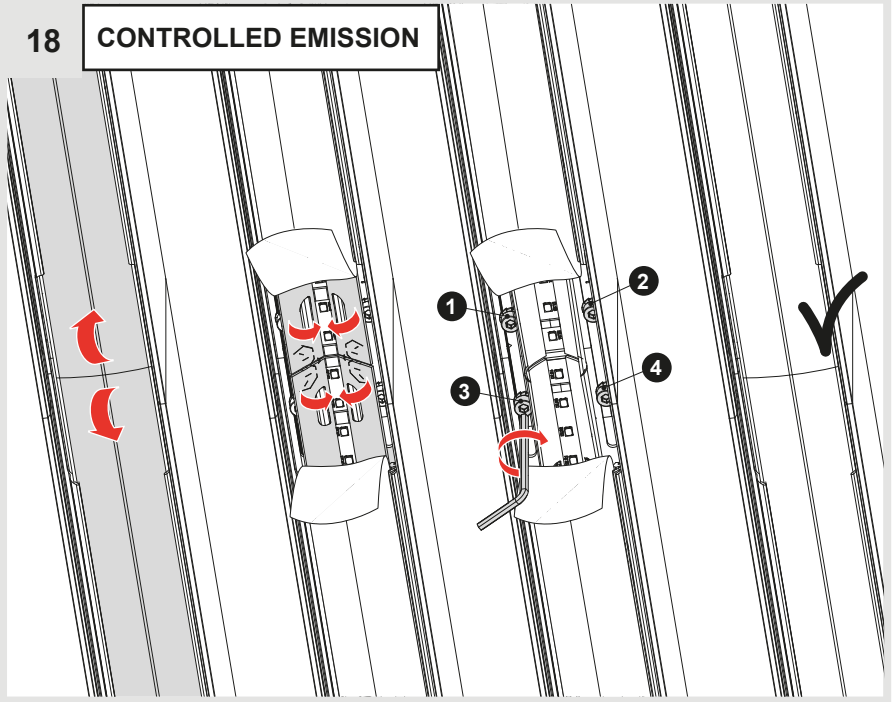
18

DIFFUSED EMISSION

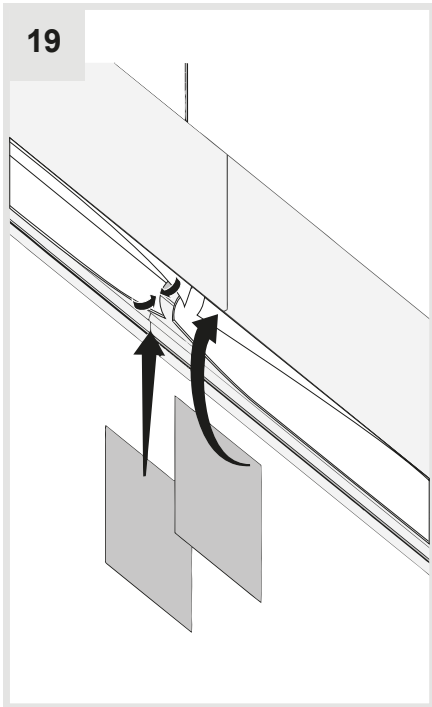


18

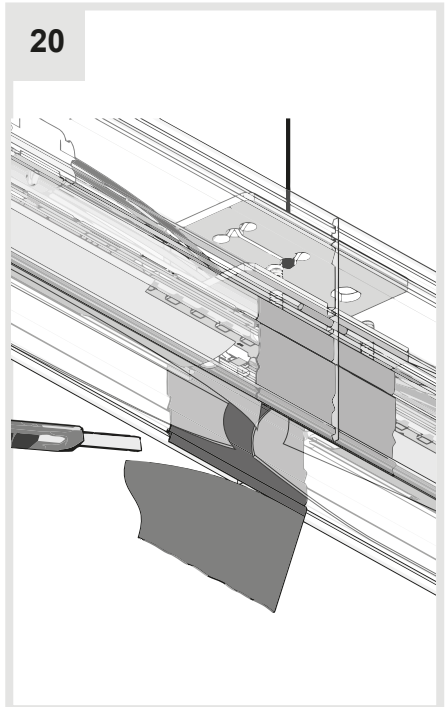
CONTROLLED EMISSION



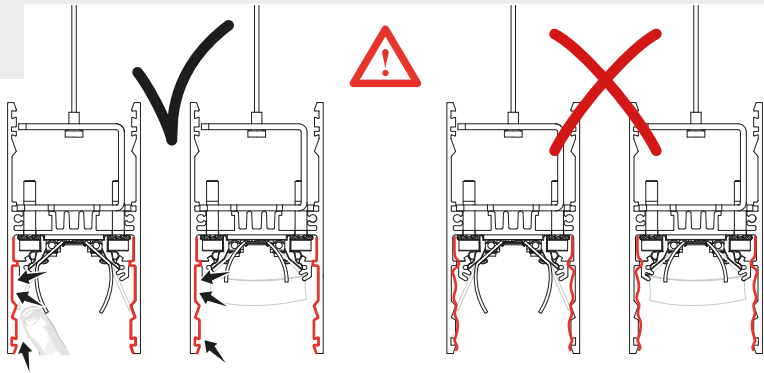
19



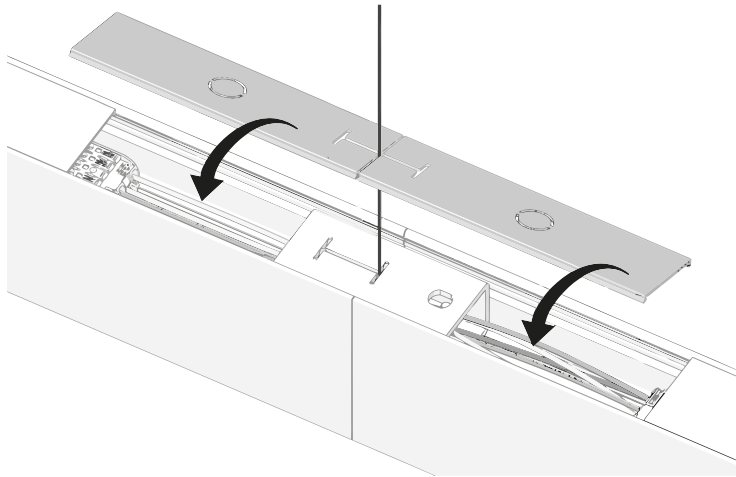
20



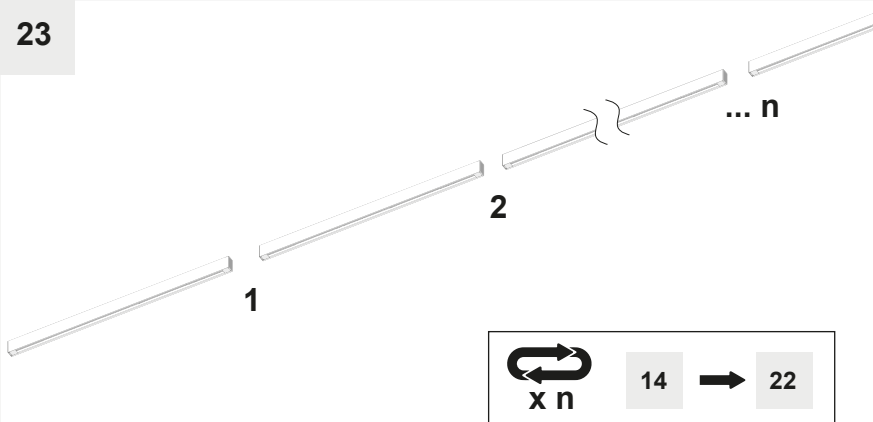
21



22



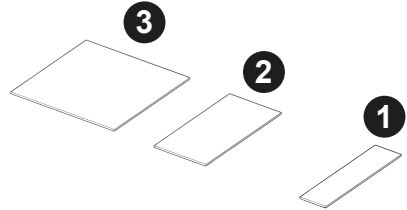
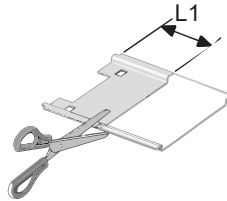
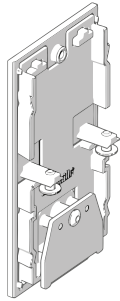
23



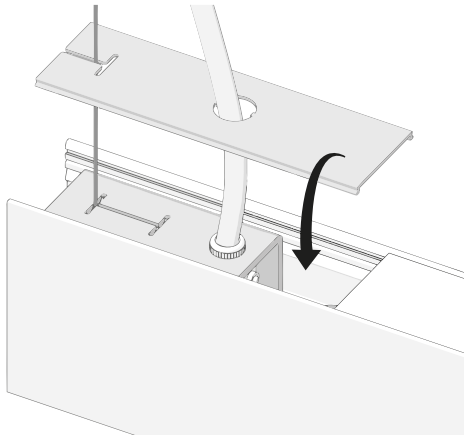
24

DIFFUSED EMISSION

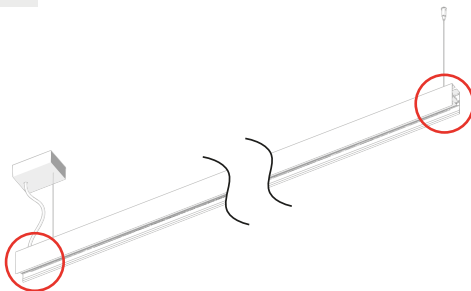
L Tot [mm]	Type	L1 [mm]
1.184 ÷ 2.368	1	10
2.368 ÷ 10.000	2	20
10.000 ÷ 30.000	3	40



25



i



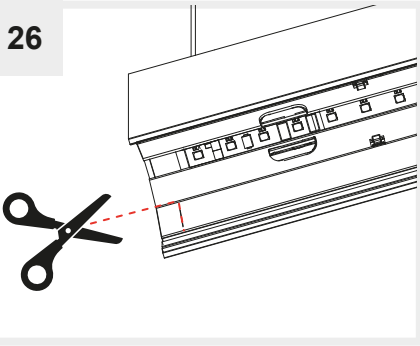
DIFFUSED EMISSION



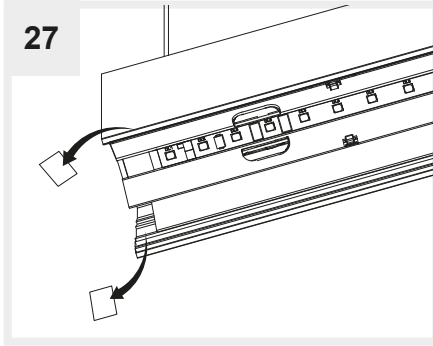
CONTROLLED EMISSION



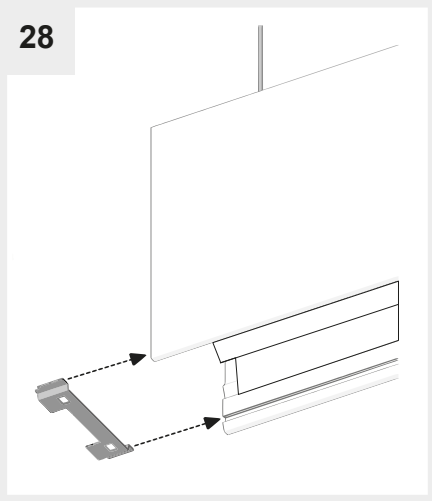
26



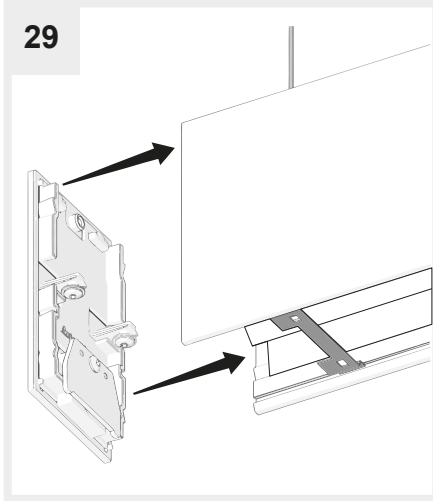
27



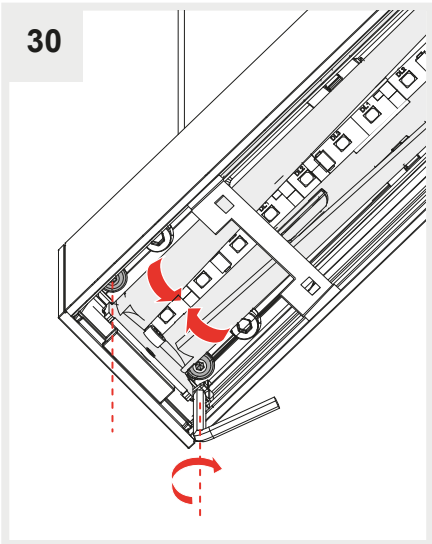
28



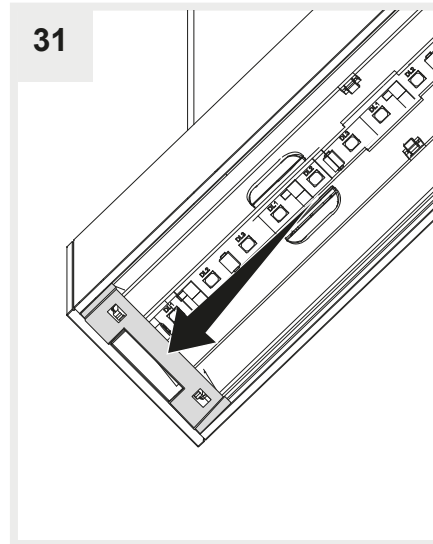
29



30

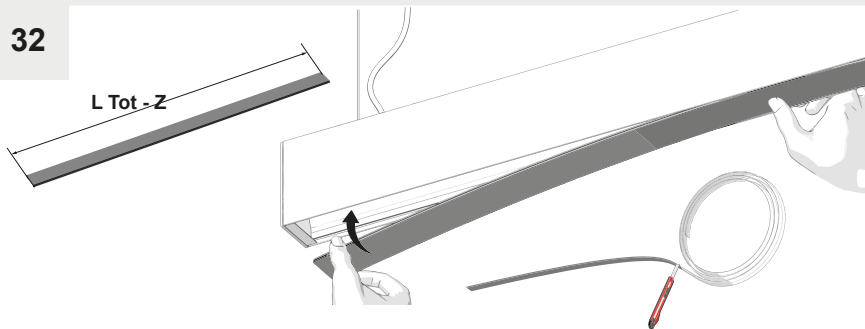




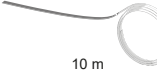
31

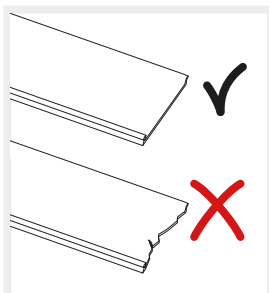
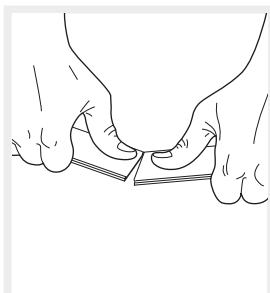
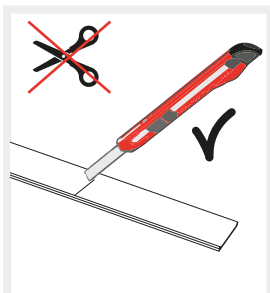


32

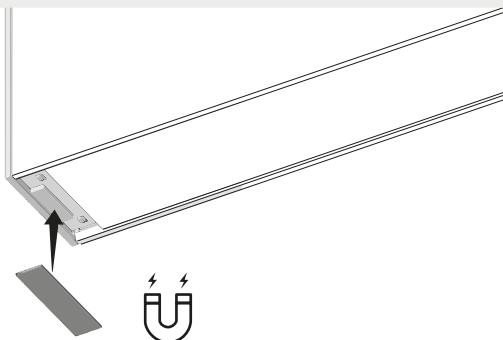
L Tot - Z



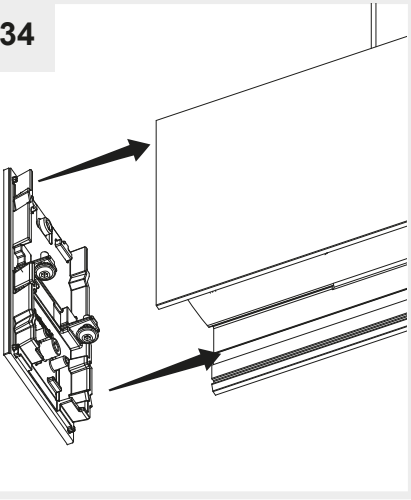
L Tot [mm]			Z [mm]
1184	1184 mm	✗	~7
1480	2368 mm	✓	~7
2368	2368 mm	✗	~7
2960	2960 [mm]	✗	~7
2960 + 10000		✓	~15
10001 + 30000		✓	~35



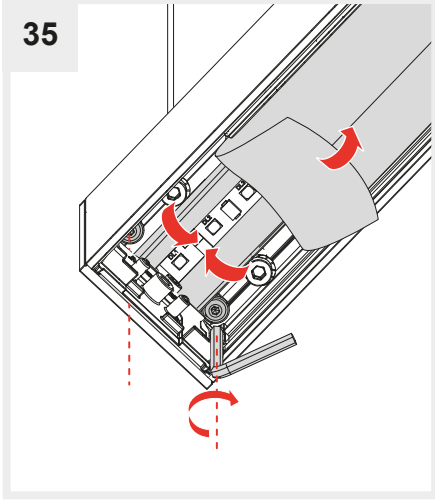
33



34



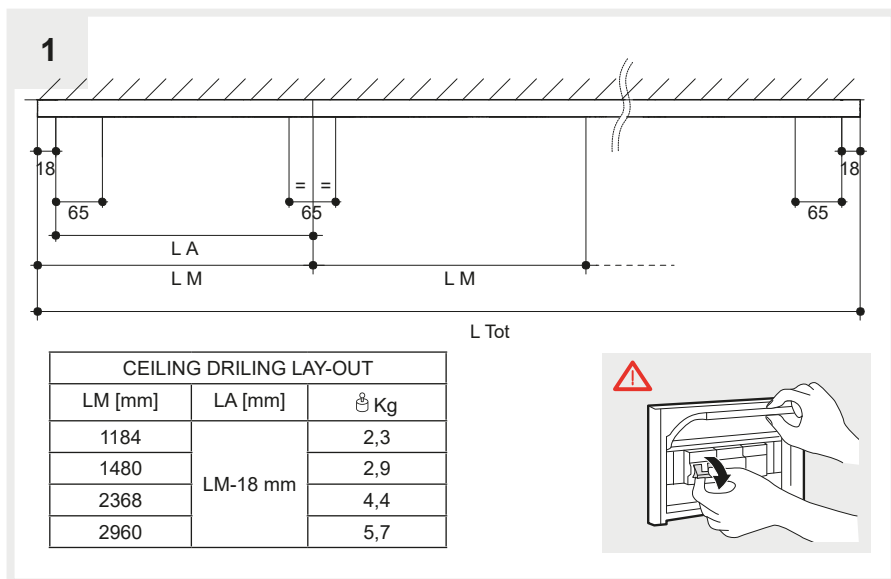
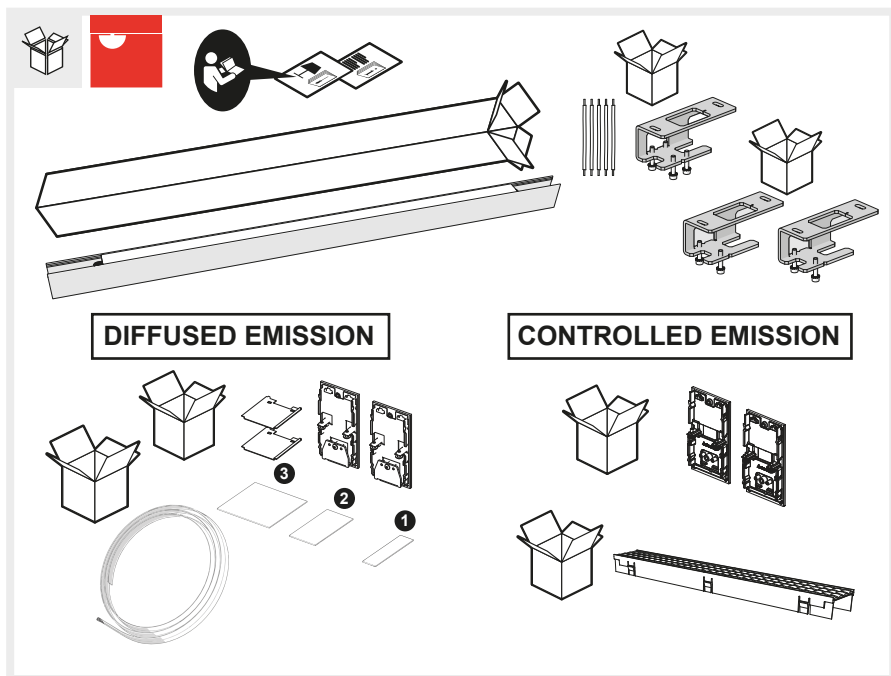
35



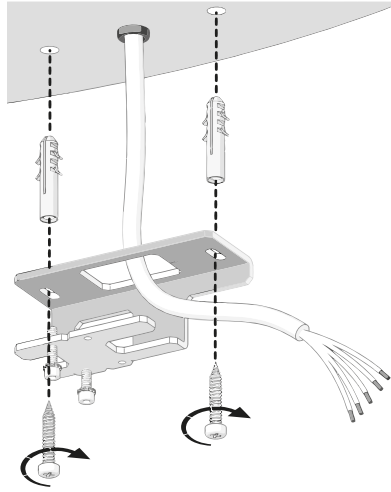
Y503300215



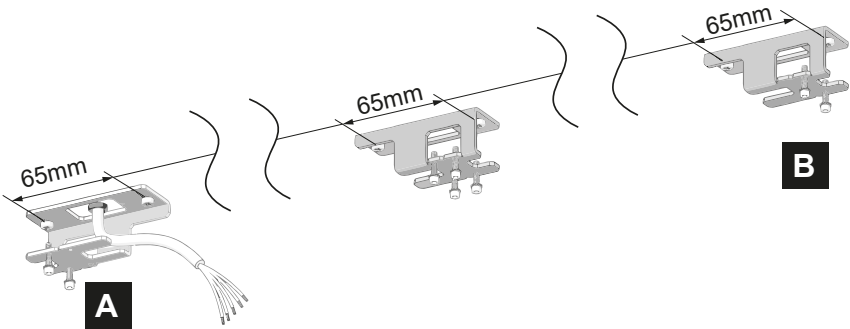
A. 39 CEILING



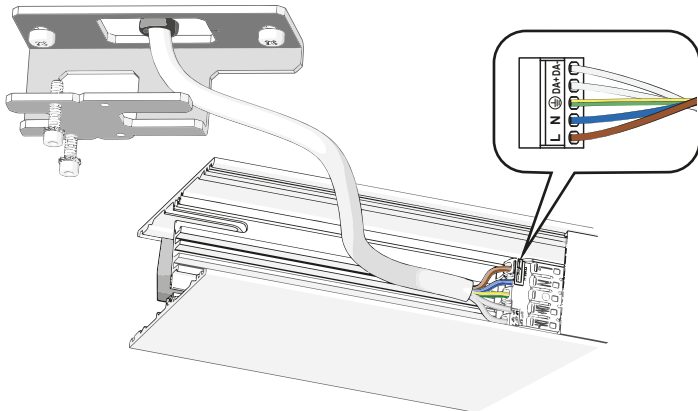
2



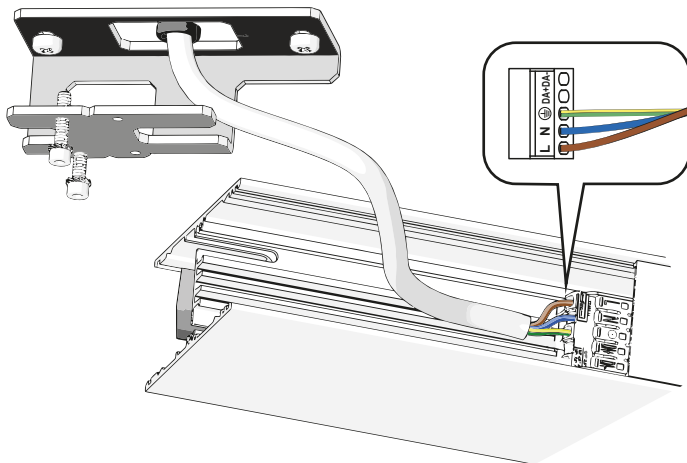
3



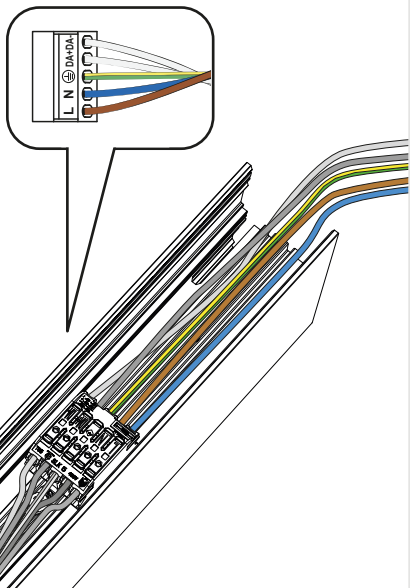
4a



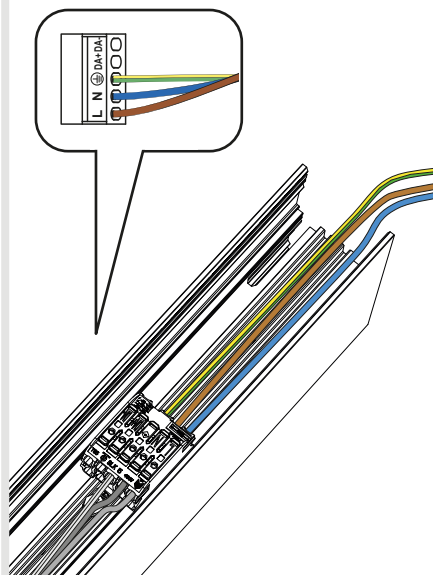
4b



5a

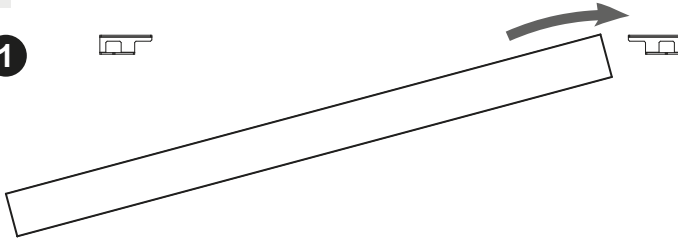


5b

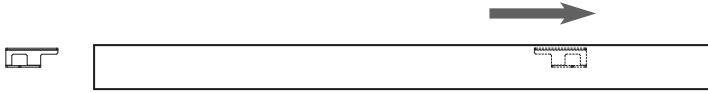


i

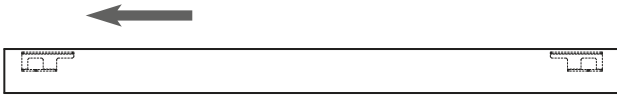
1



2

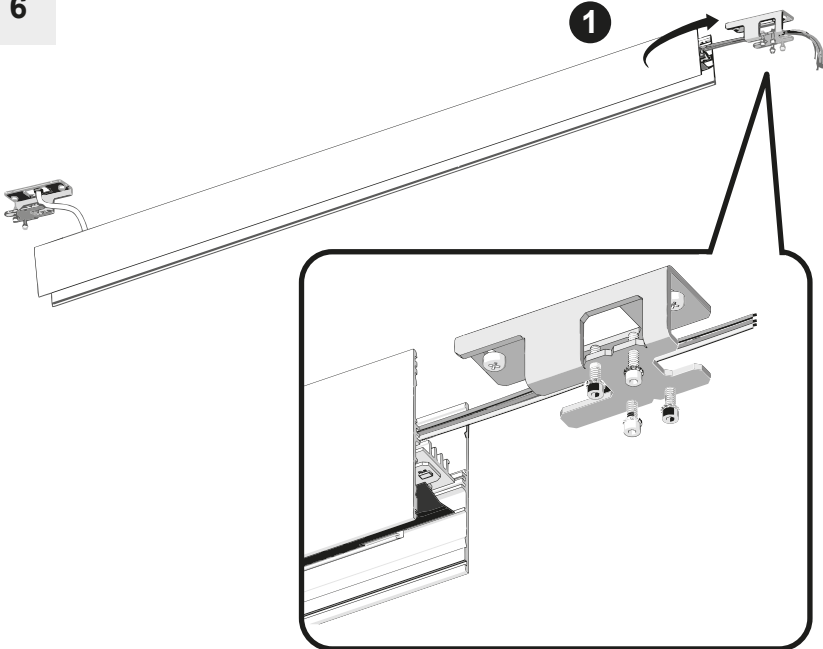


3

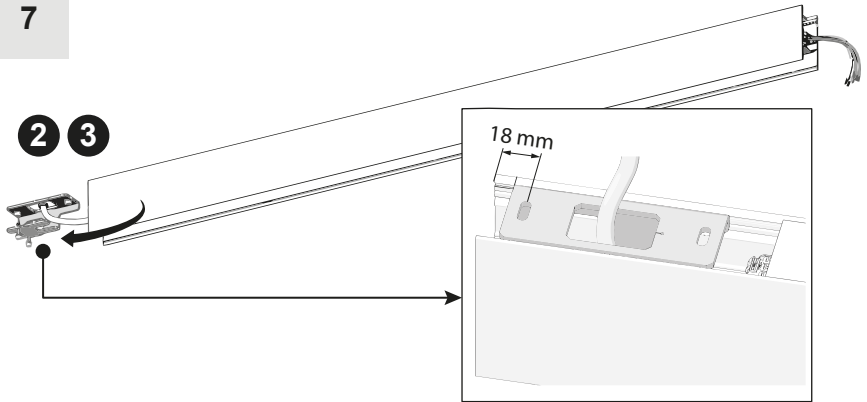


6

1

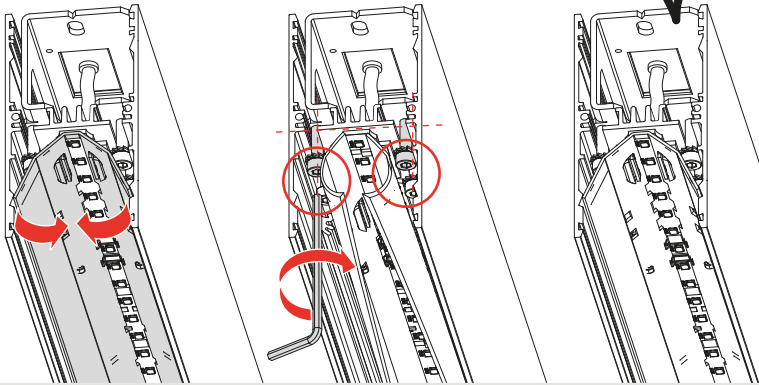


7



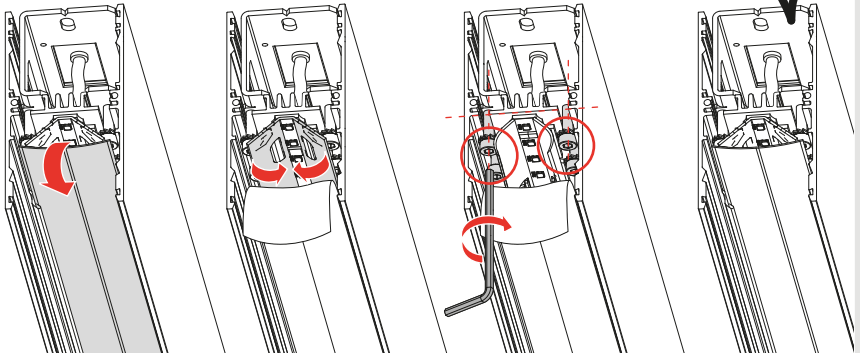
8

DIFFUSED EMISSION

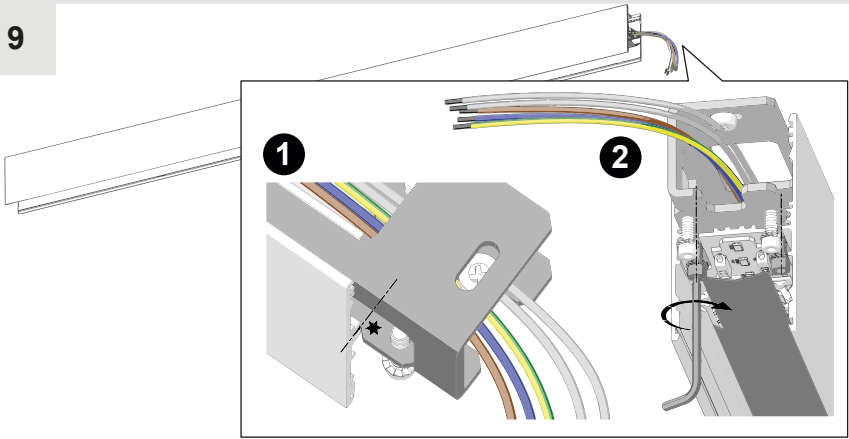


8

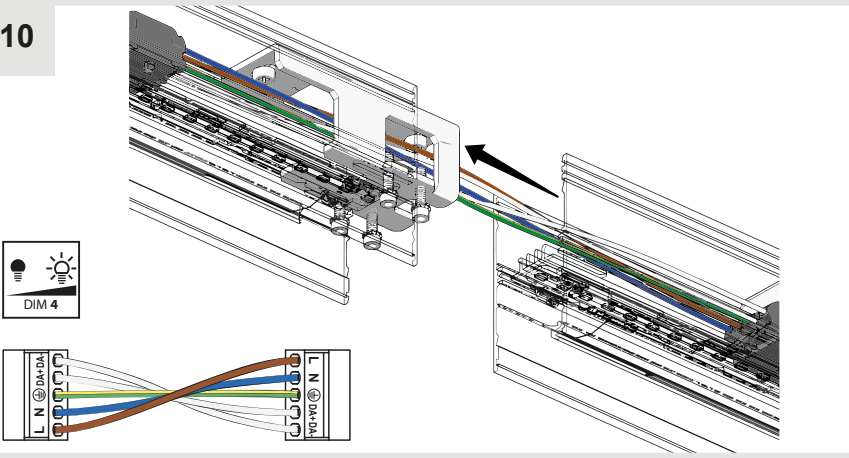
CONTROLLED EMISSION



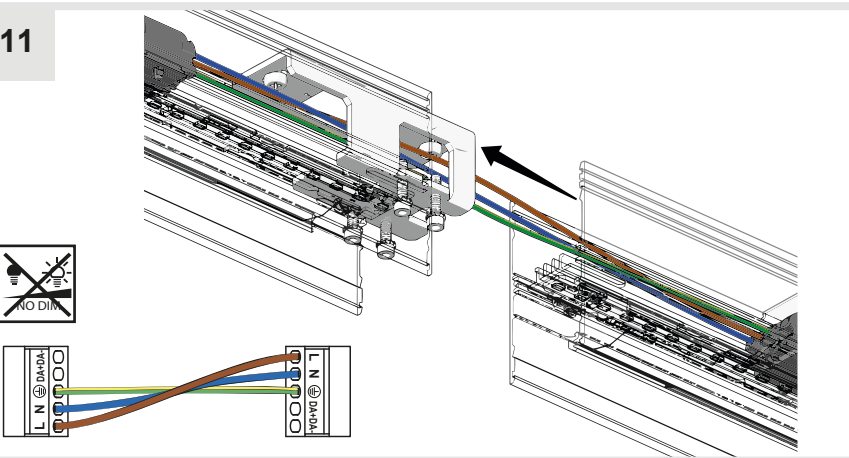
9



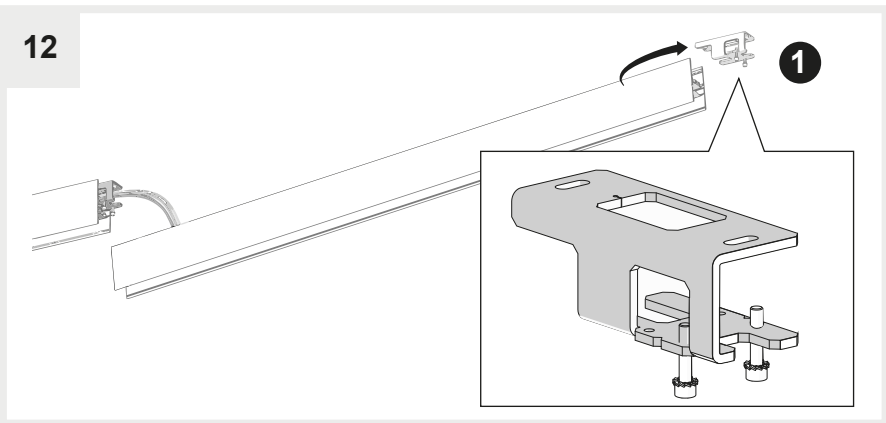
10



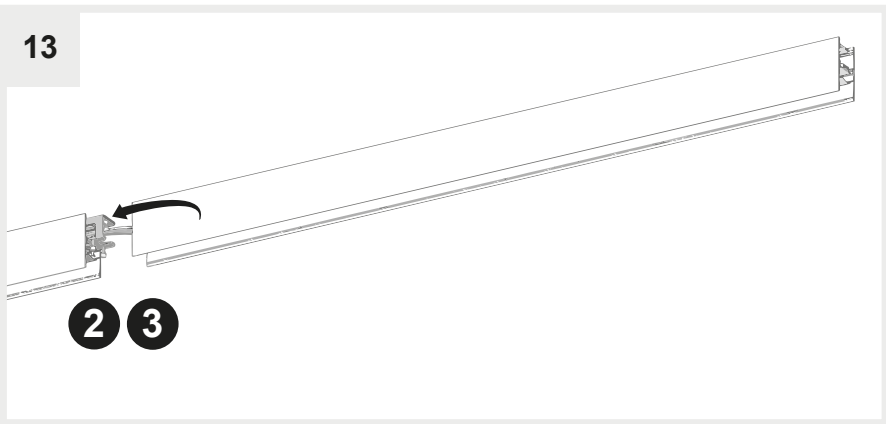
11



12

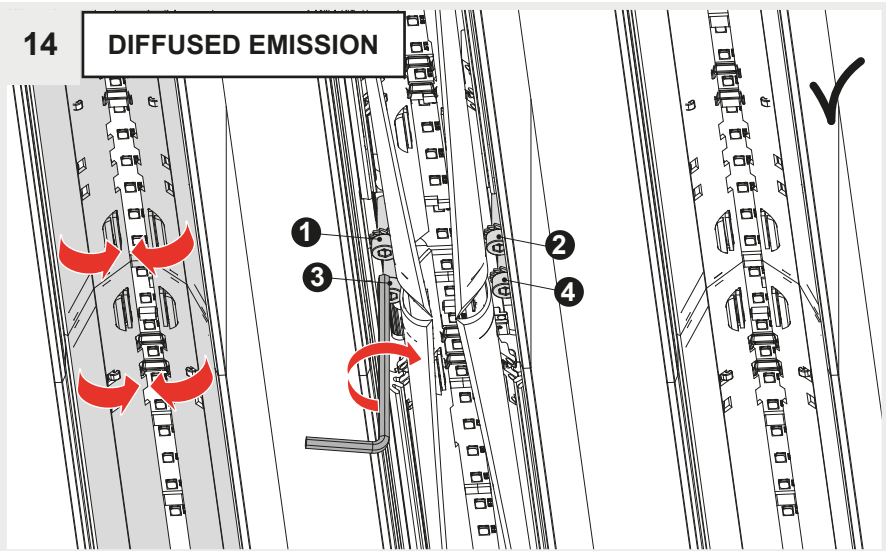


13



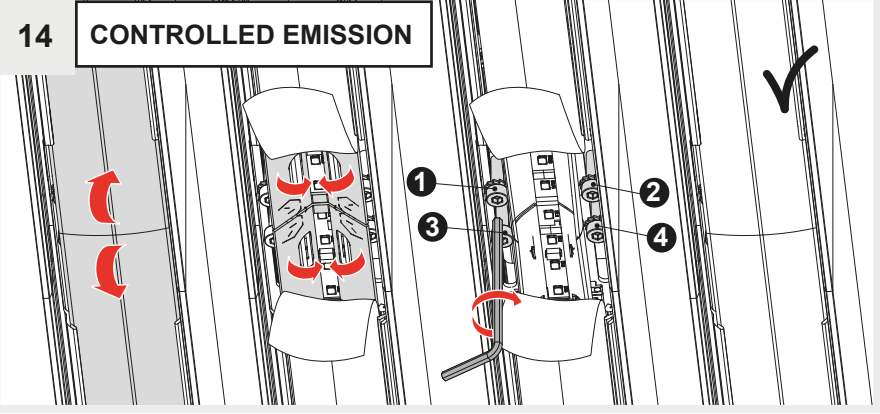
14

DIFFUSED EMISSION

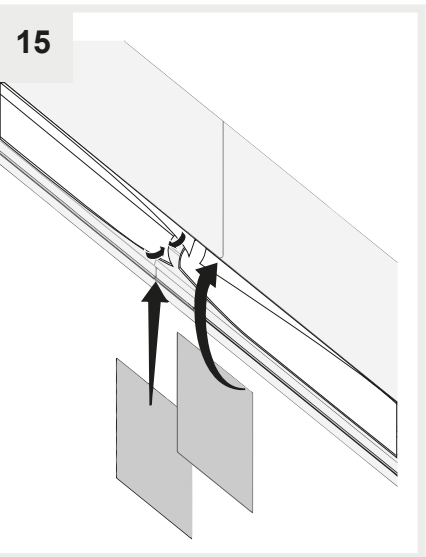


14

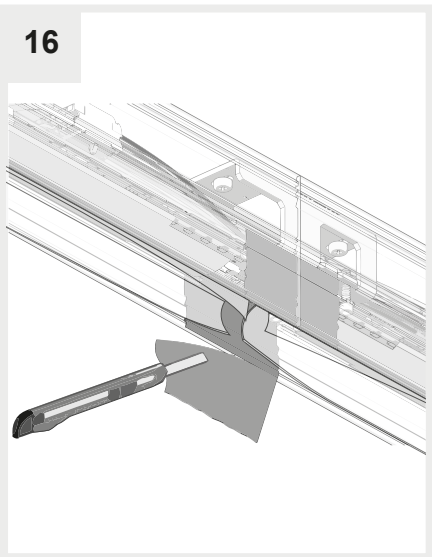
CONTROLLED EMISSION



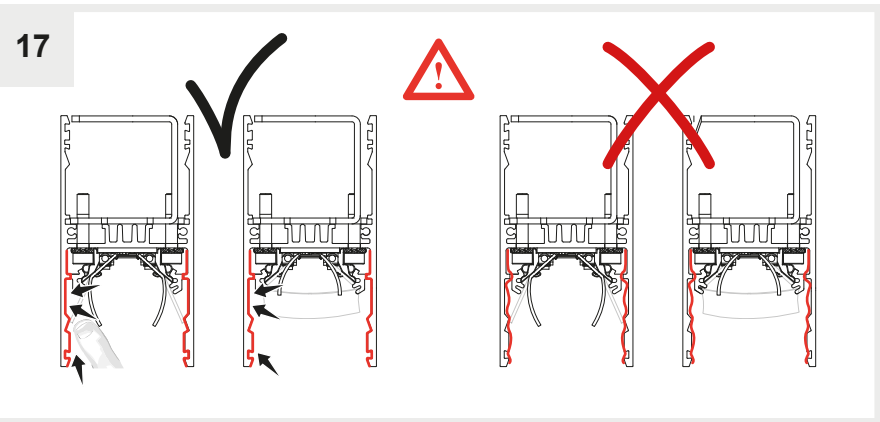
15



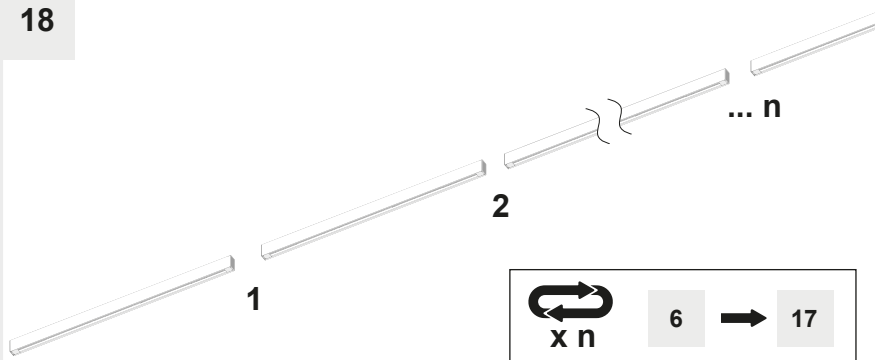
16



17

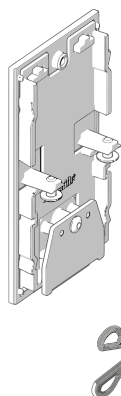


18

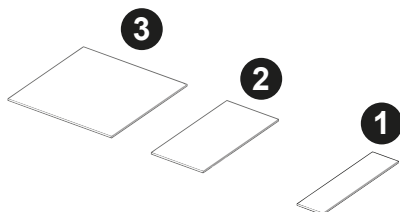
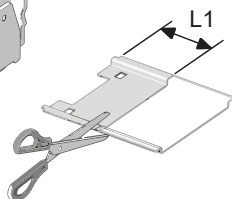


19

DIFFUSED EMISSION



L Tot [mm]	Type	L1 [mm]
1.184 ÷ 2.368	1	10
2.368 ÷ 10.000	2	20
10.000 ÷ 30.000	3	40

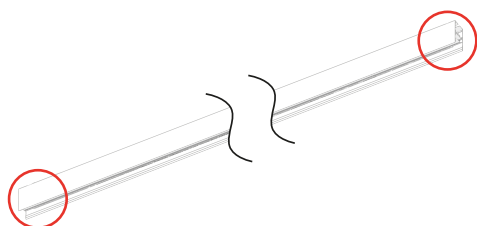


i

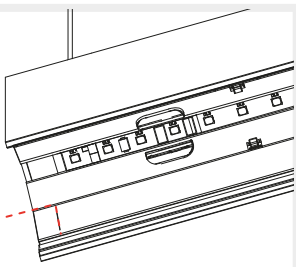
DIFFUSED EMISSION



CONTROLLED EMISSION



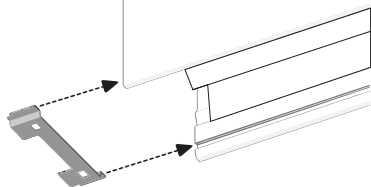
20



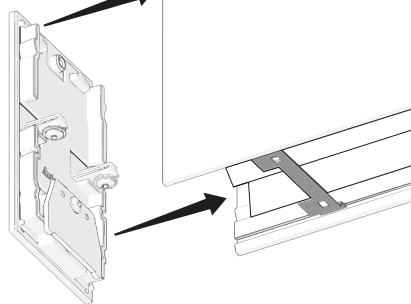
21



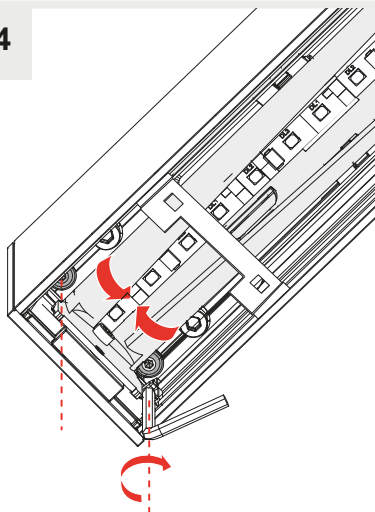
22



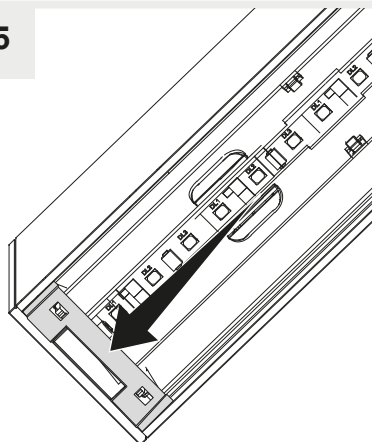
23



24

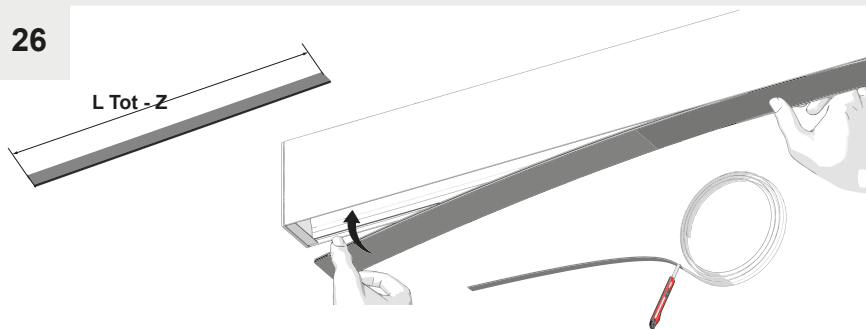




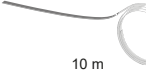
25

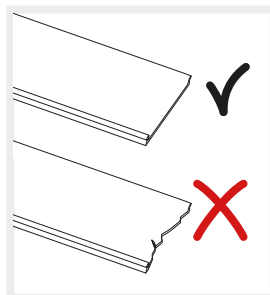
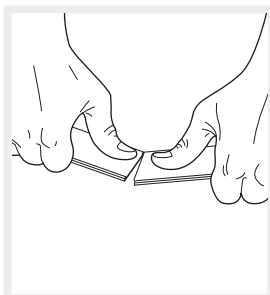
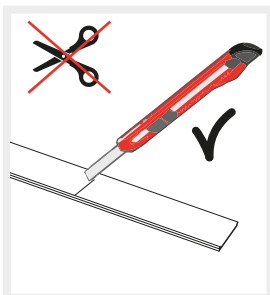


26

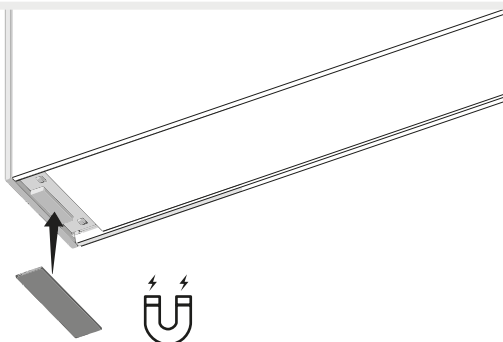
L Tot - Z



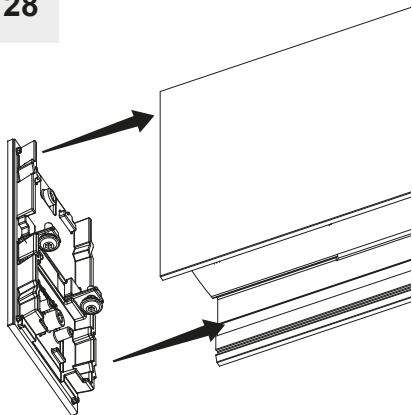
L Tot [mm]			Z [mm]
1184	1184 mm	✗	~7
1480	2368 mm	✓	~7
2368	2368 mm	✗	~7
2960	2960 [mm]	✗	~7
2960 + 10000		✓	~15
10001 + 30000		✓	~35
	10 m		



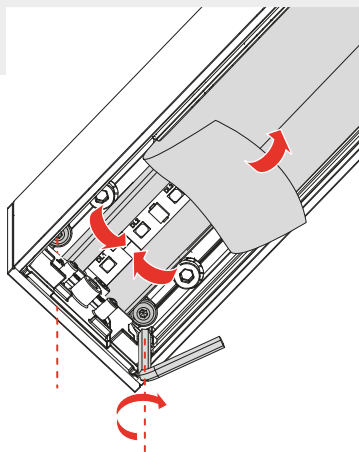
27



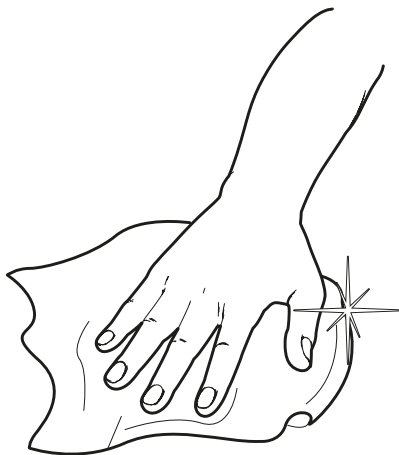
28



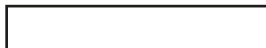
29



Y503300215



Artemide[®]
ARCHITECTURAL



Artemide Spa

via Bergamo, 18
20006 Pregnana M.se (MI)
ITALIA

Tel. +39 02 935 181
Fax +39 02 935 90 254
Fax +39 02 935 90 496

www.artemide.com

VAT IT00846890150

cod. Y513000907J