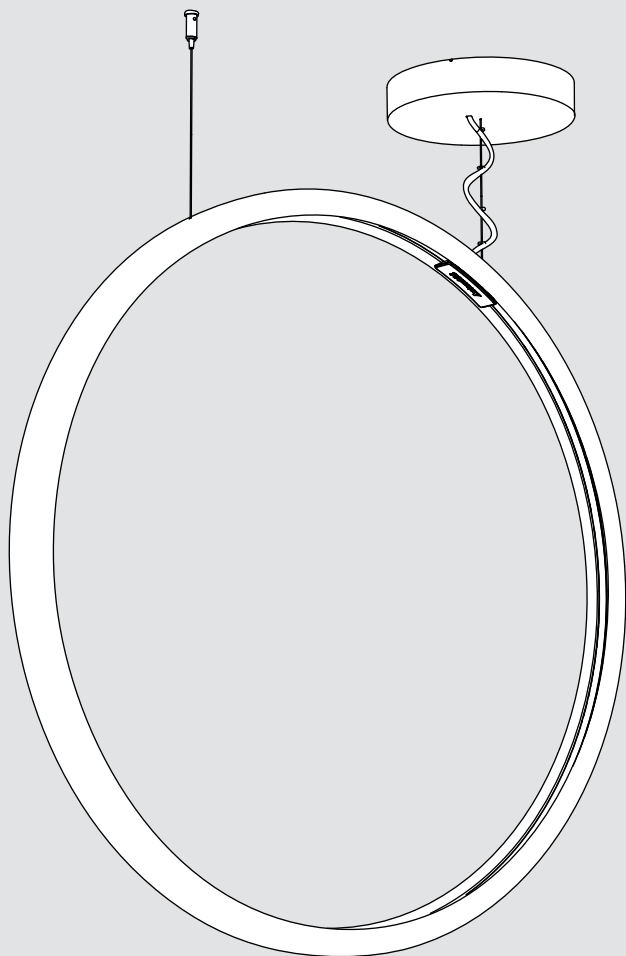


“O” Suspension

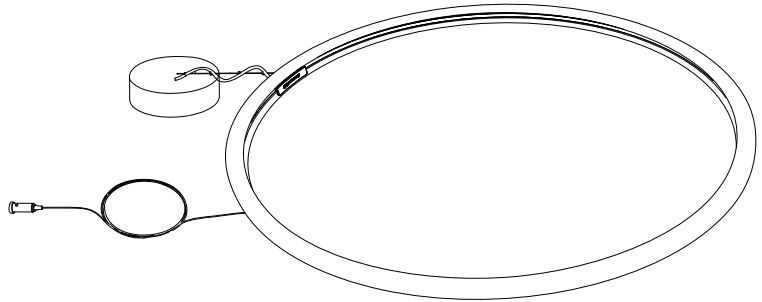
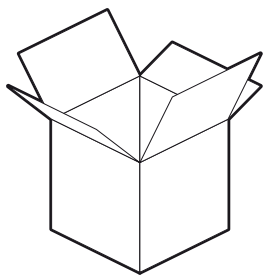
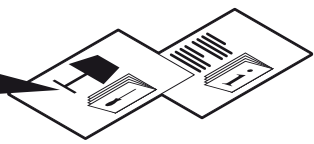
design
Elemental



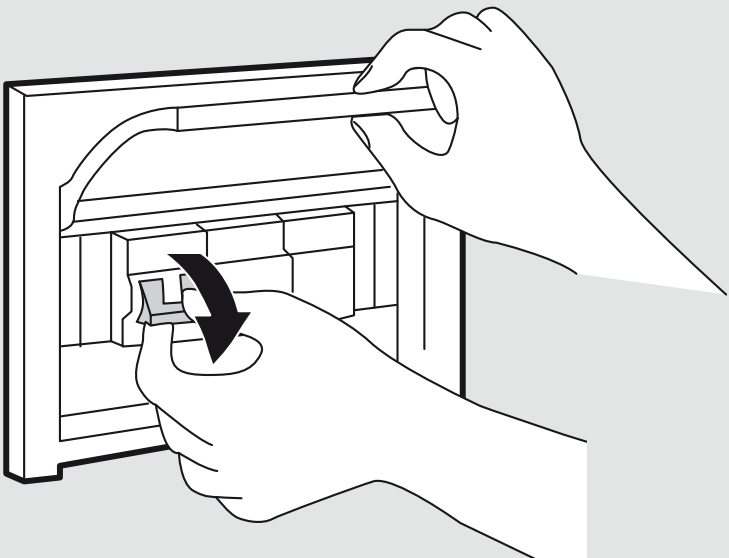
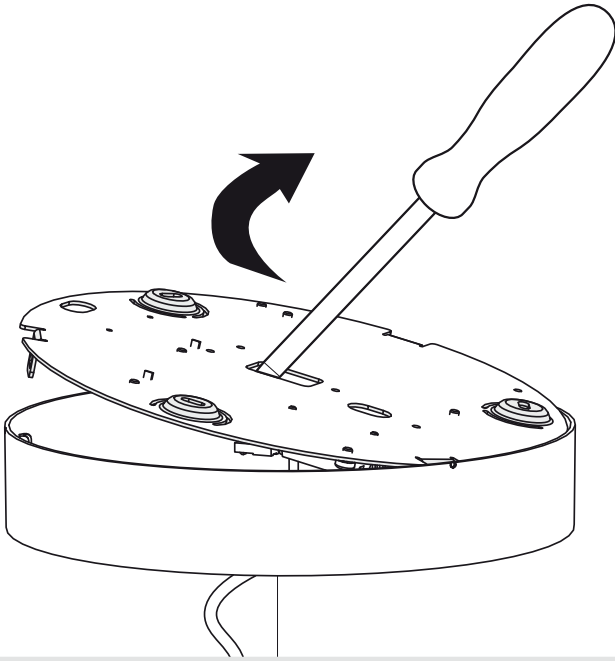


i

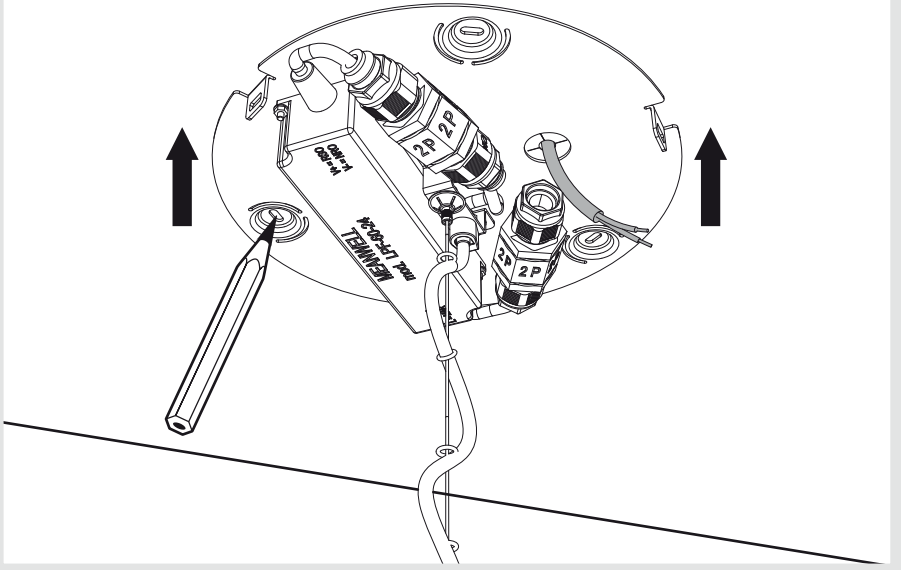
CE		IP67	LED0	
?	→		→	



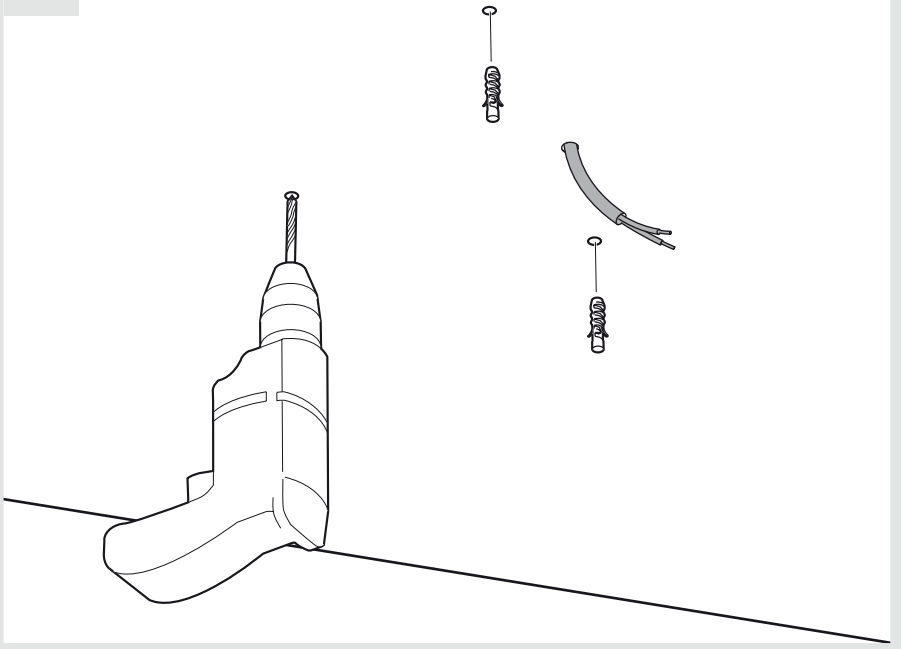
1



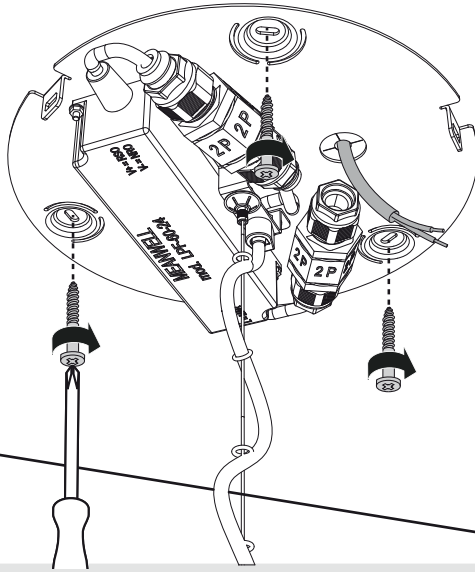
2



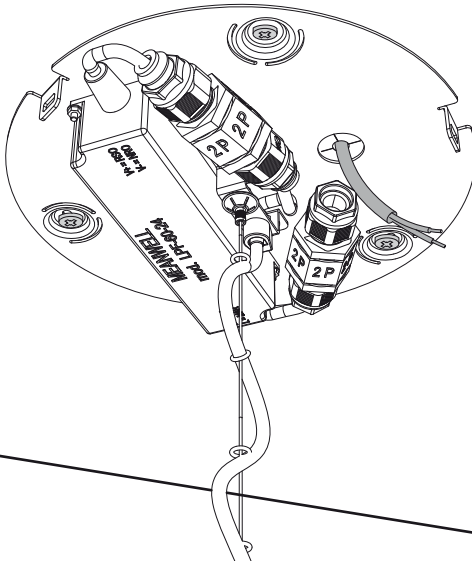
3



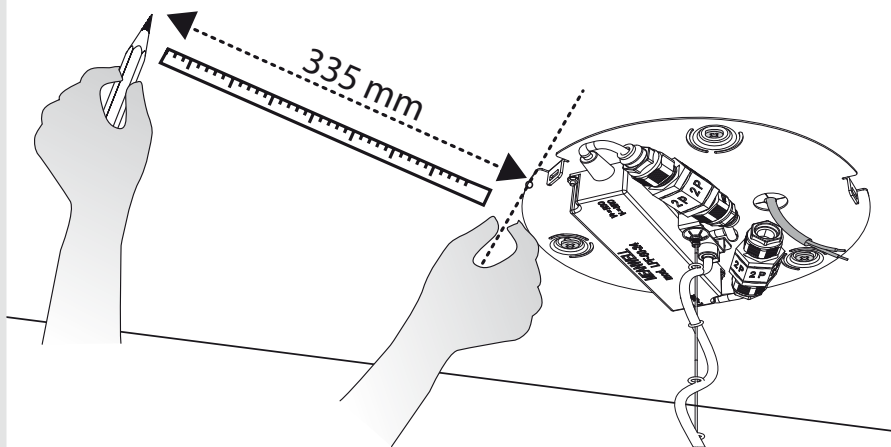
3



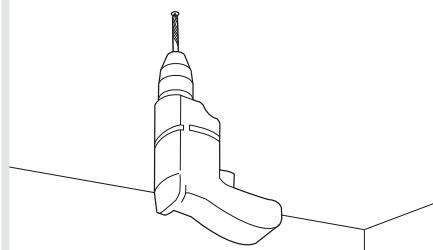
4



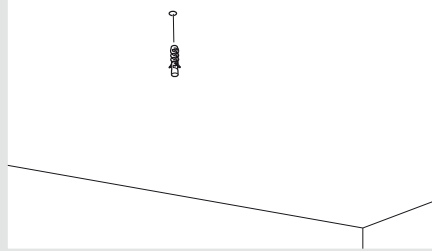
5



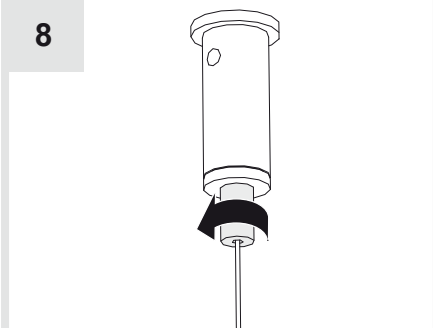
6



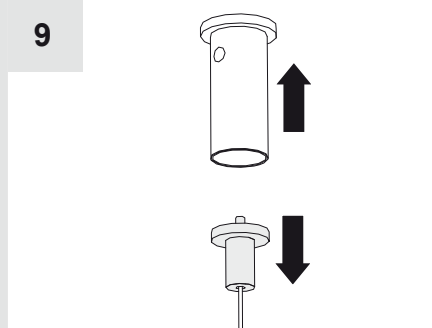
7



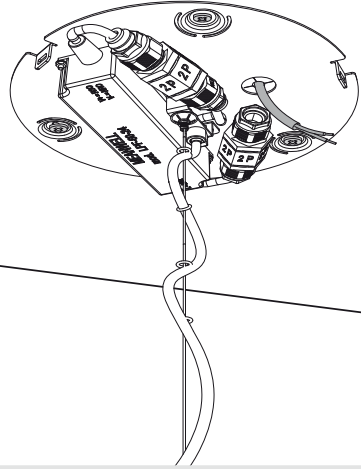
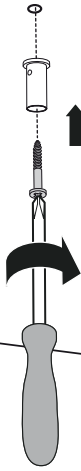
8



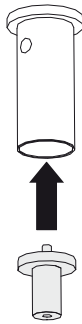
9



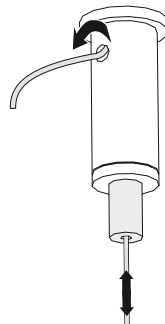
10



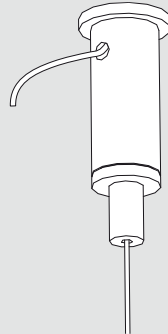
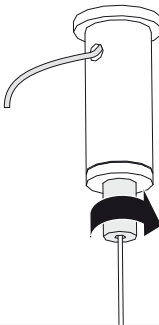
11



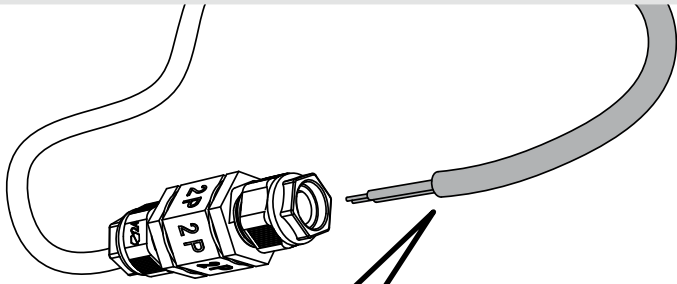
12



13

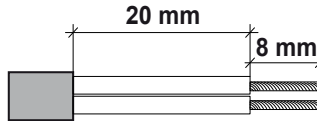


14

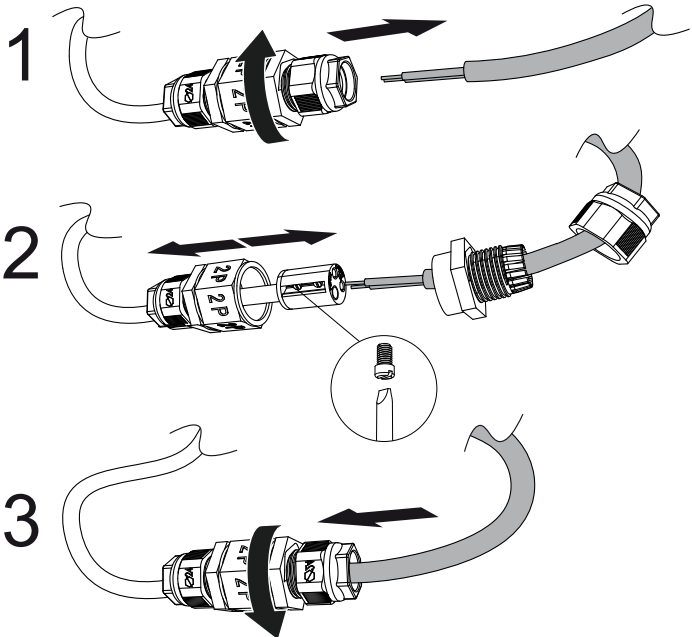


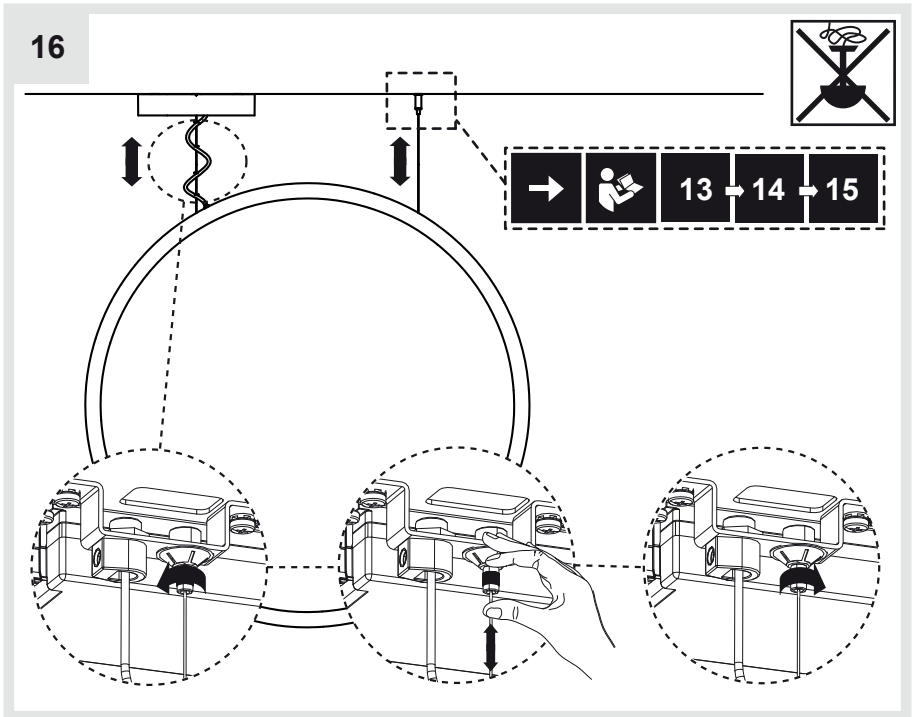
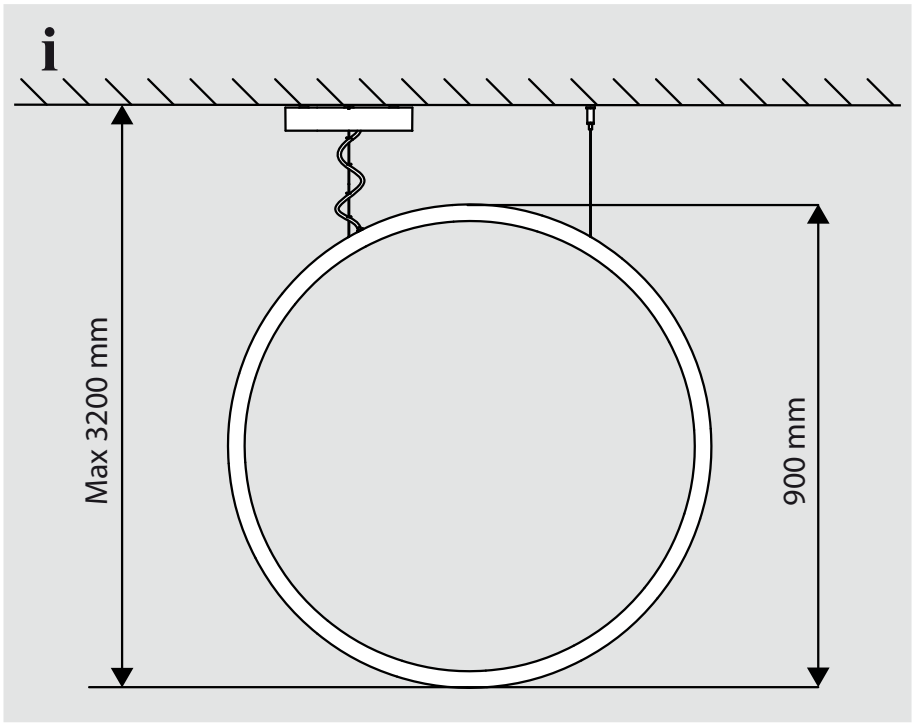
H05RN-F
H07RN-F

Ø 7 - 13.5 mm

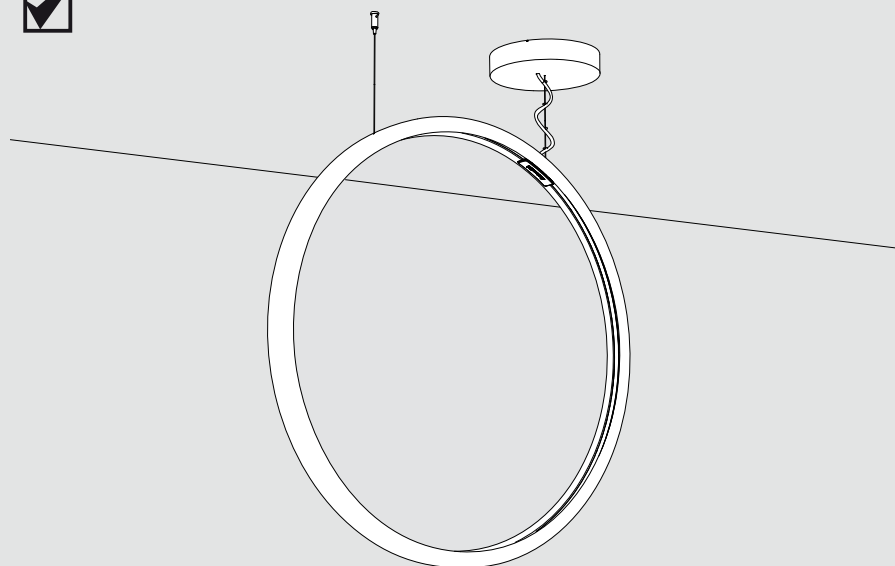
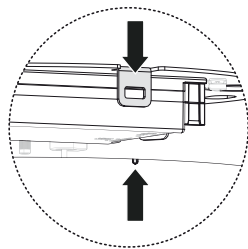
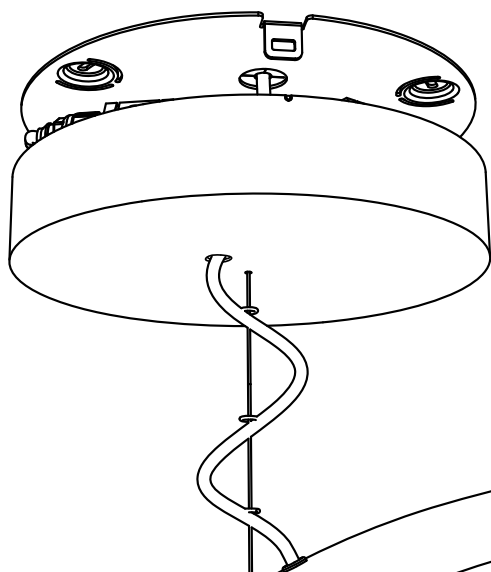


15





17



Artemide[®]
ARCHITECTURAL



Artemide

via Bergamo, 18
20010 Pregnana M.se (MI)
ITALIA

tel. +39 02 935 181
fax +39 02 935 90 254
fax +39 02 935 90 496

www.artemide.com

VAT IT00846890150

cod. Y513001009A