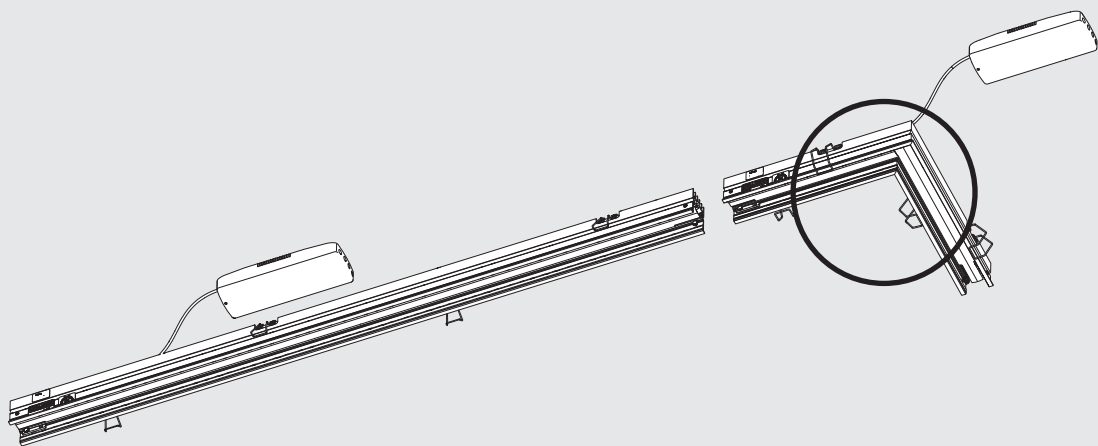
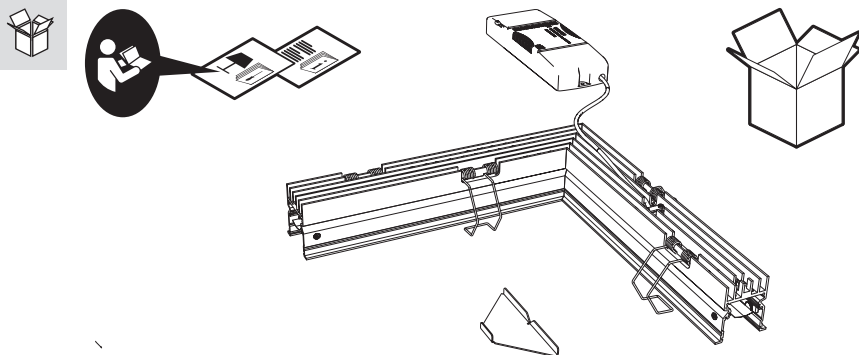
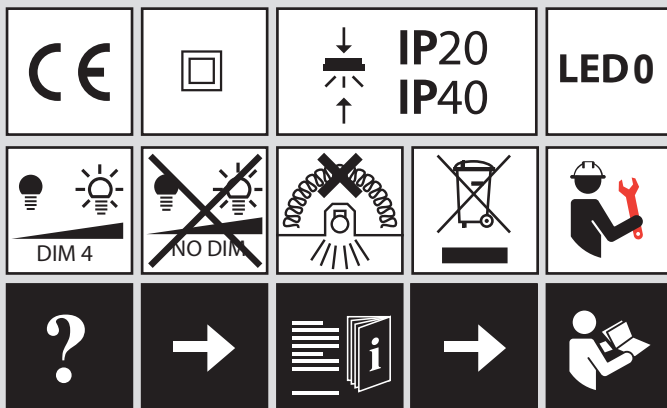


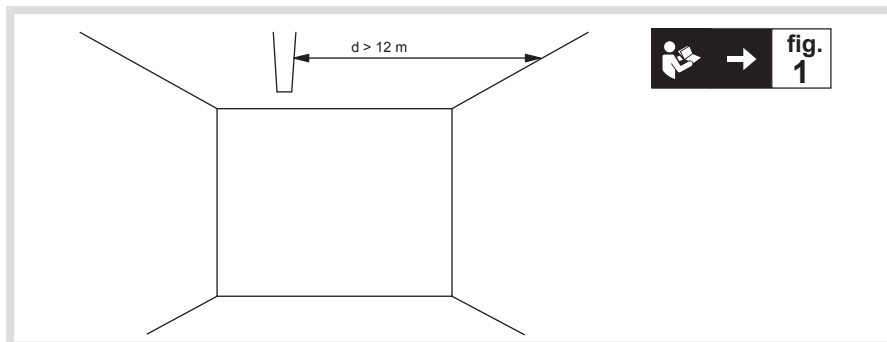
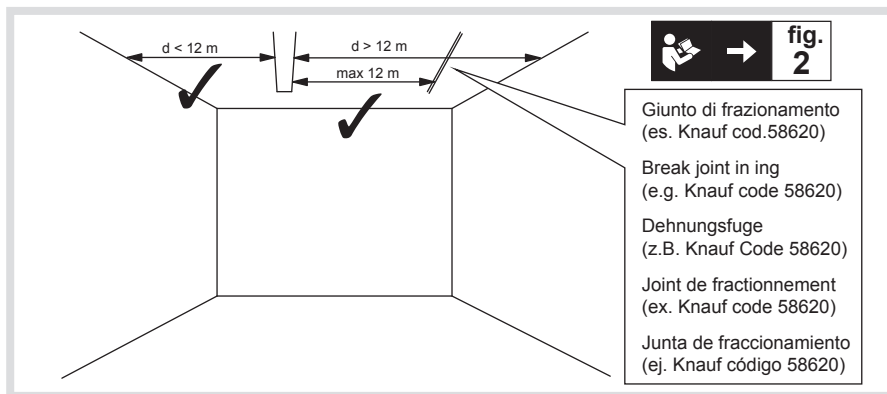
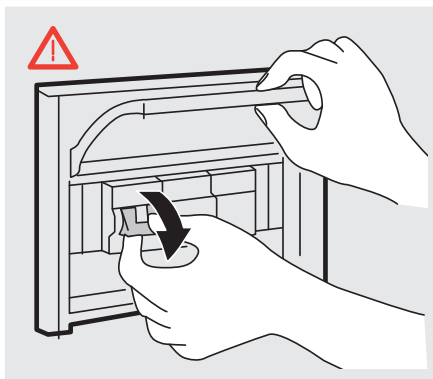
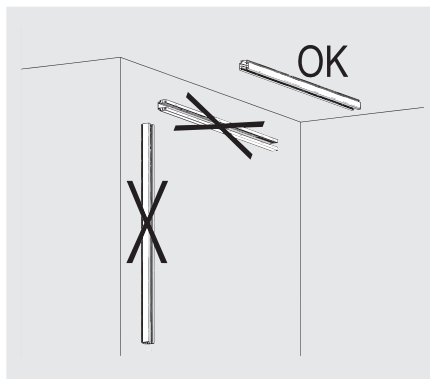
A.39 RCS CORNER TRIM

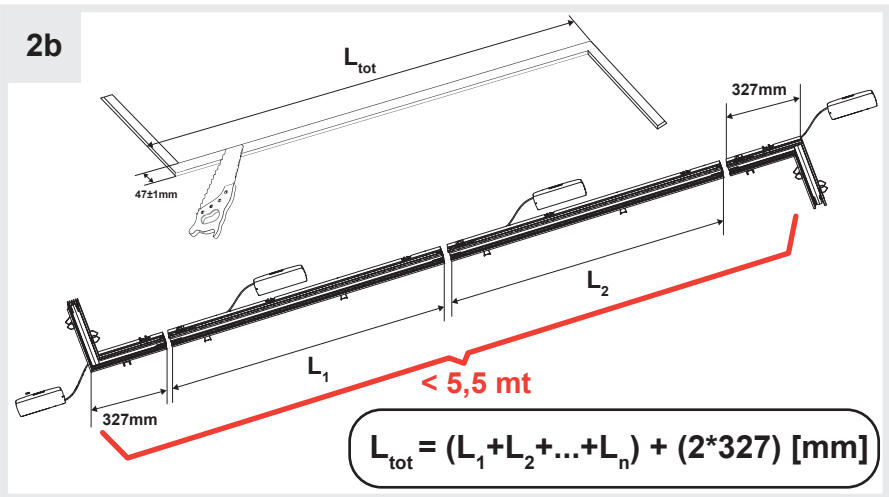
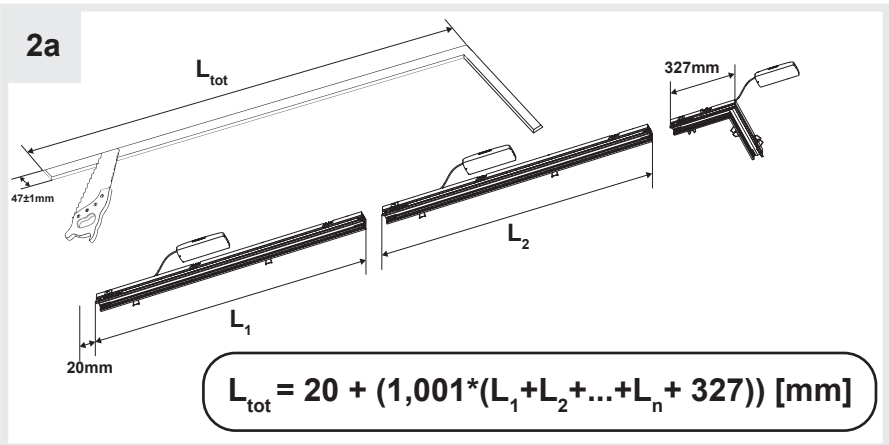
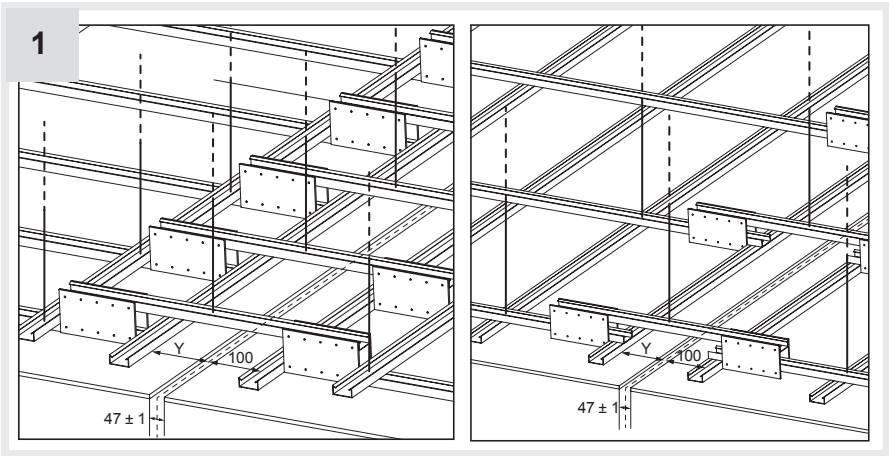
design
Carlotta de Bevilacqua



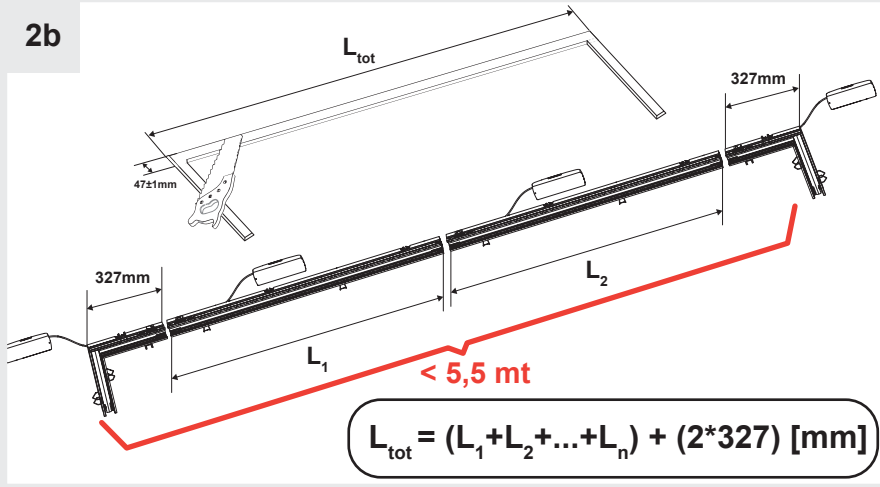


i

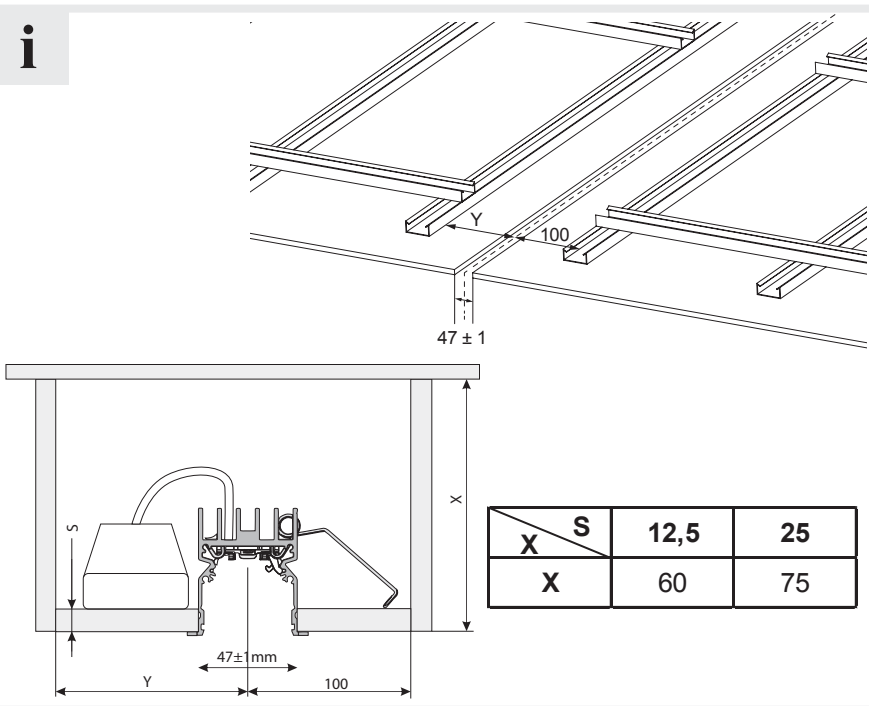




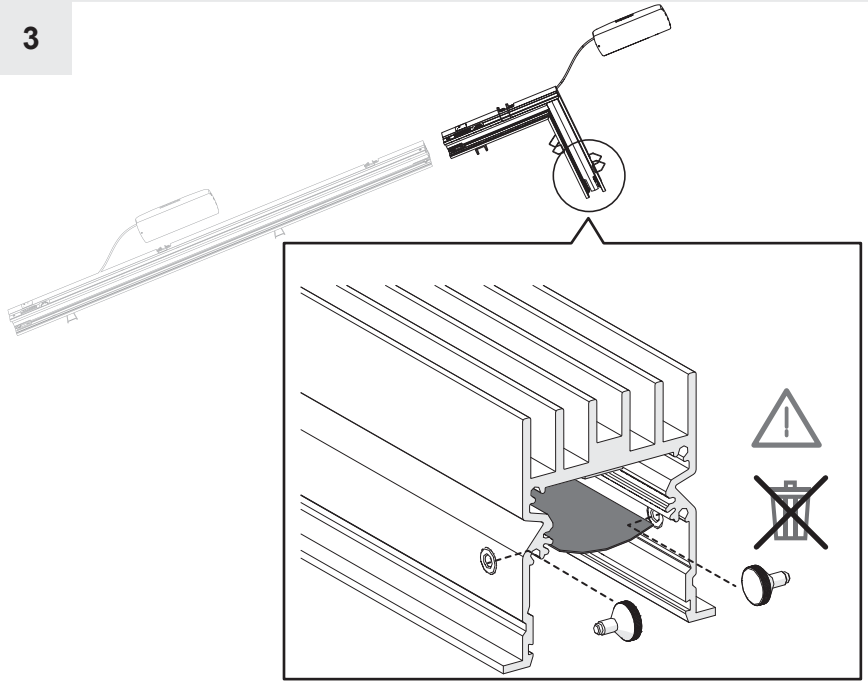
2b



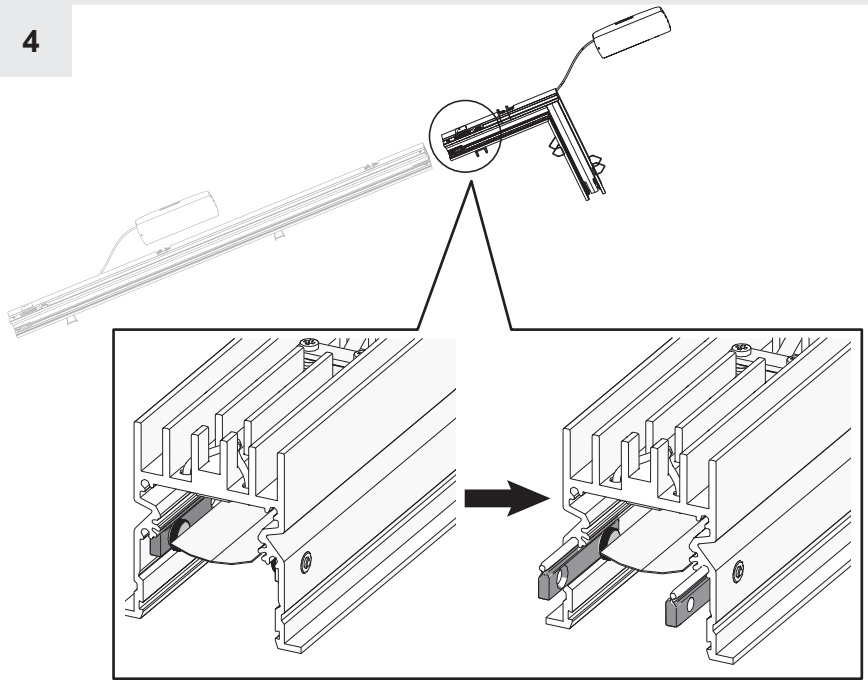
i

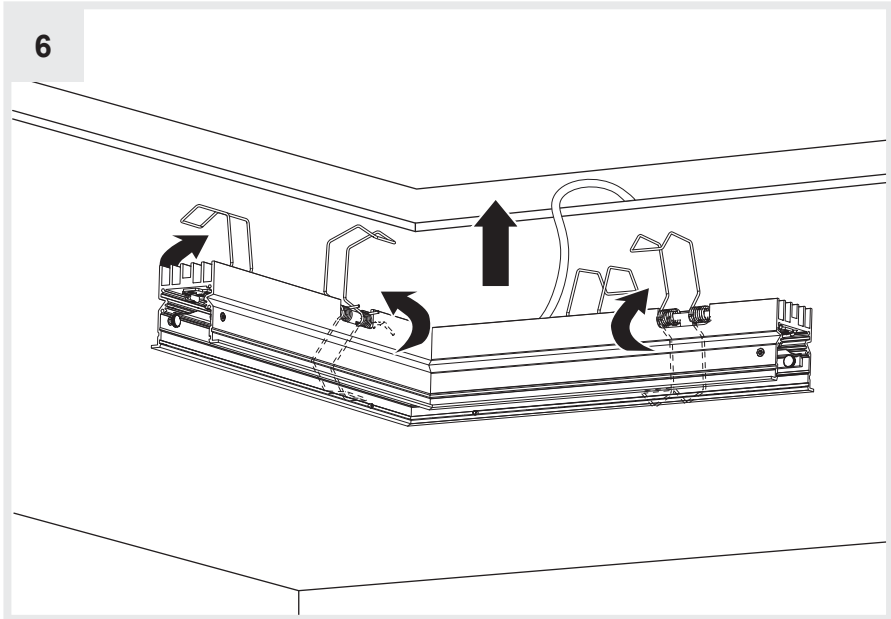
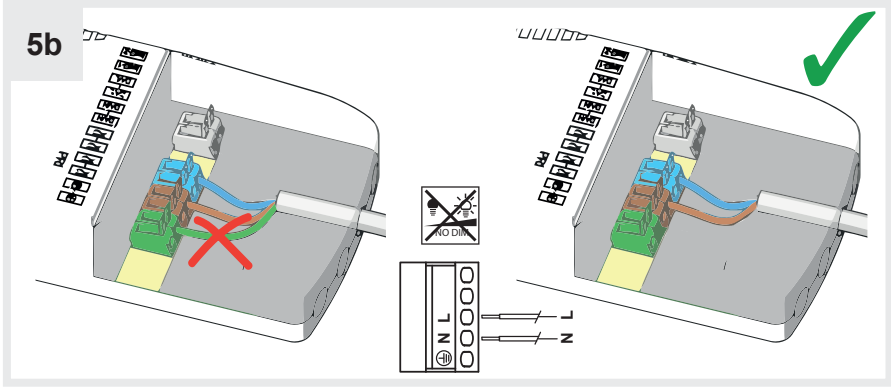
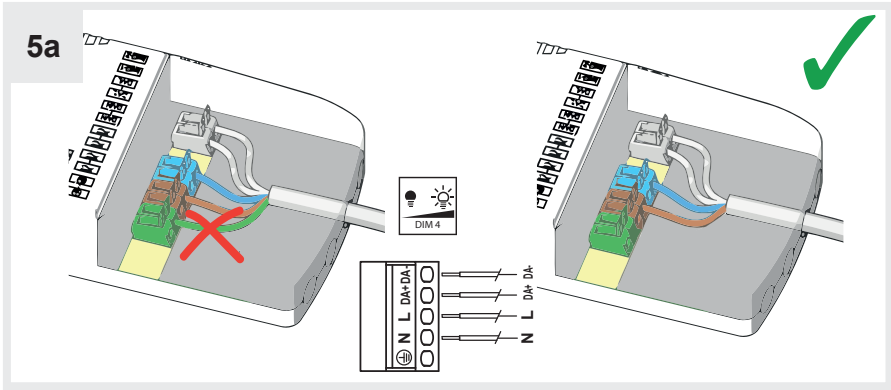


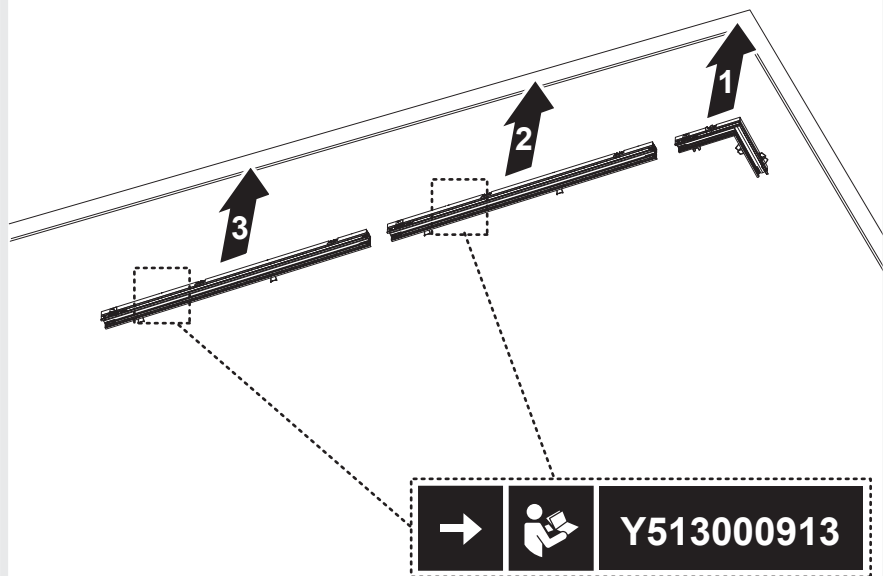
3



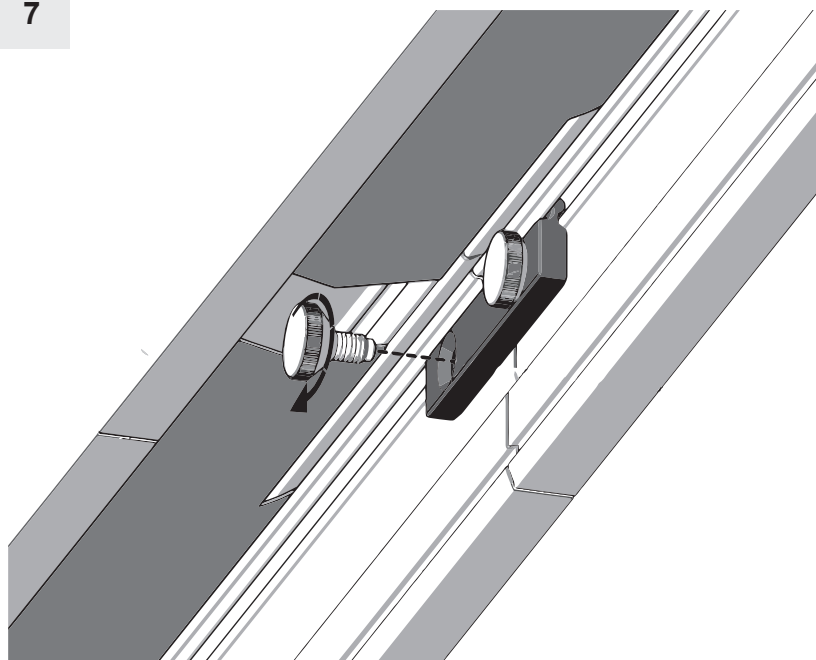
4



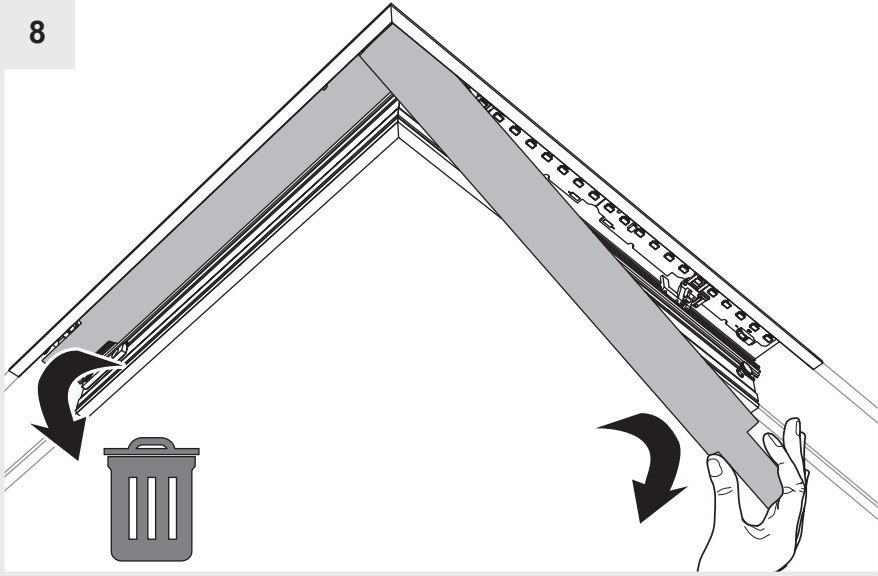




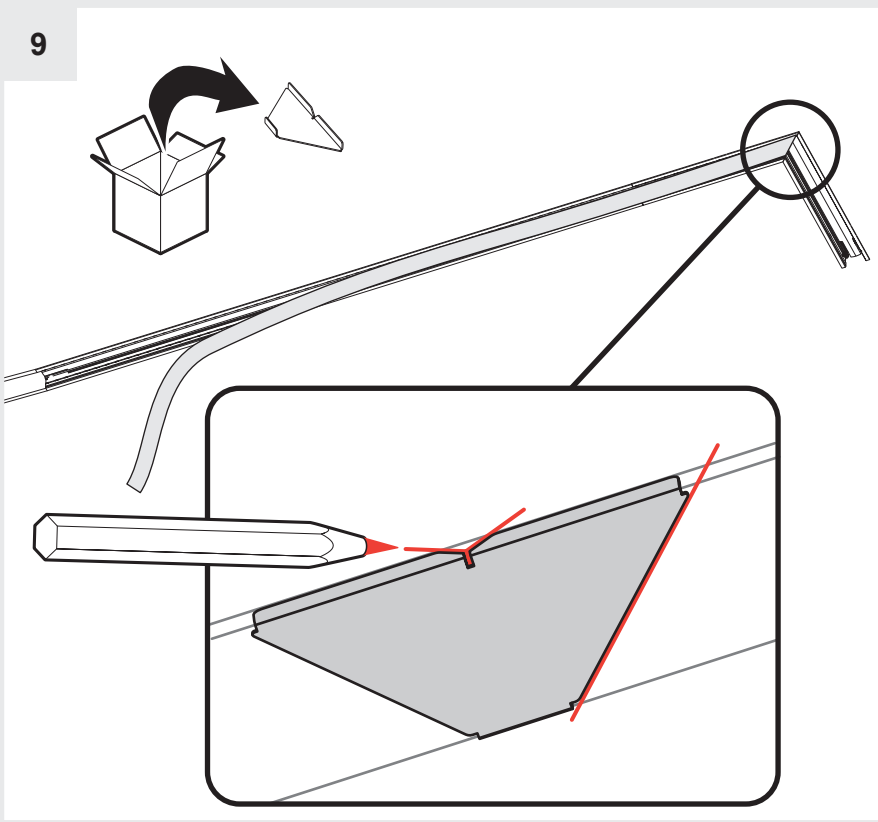
7



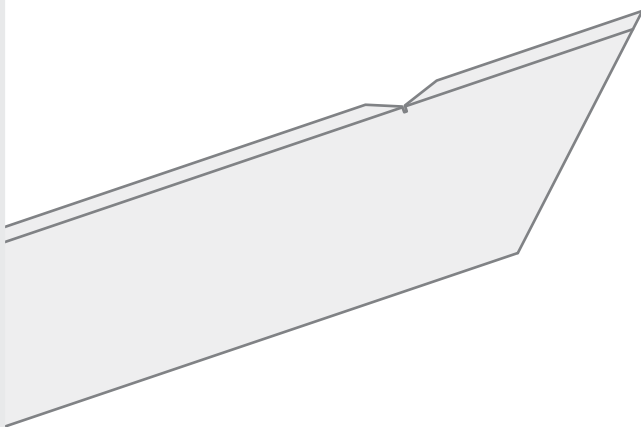
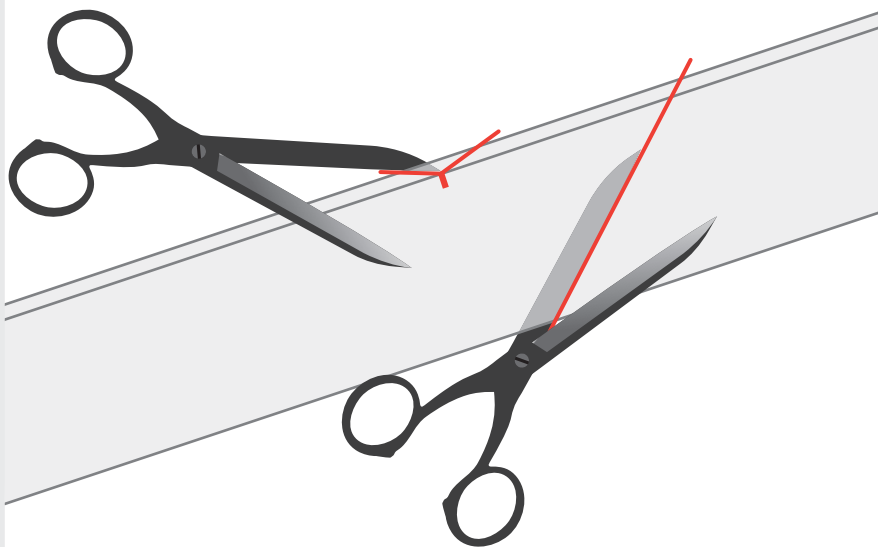
8

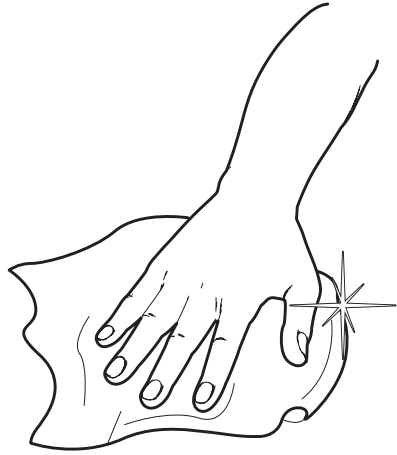
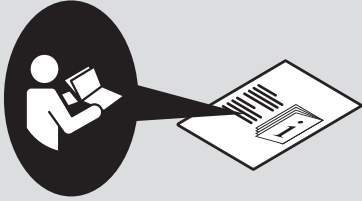


9



10





Artemide[®]
ARCHITECTURAL



Artemide Spa

via Bergamo, 18
20010 Pregnana M.se (MI)
ITALIA

Tel. +39 02 935 181
Fax +39 02 935 90 254
Fax +39 02 935 90 496

www.artemide.com

VAT IT00846890150

cod. Y513001095