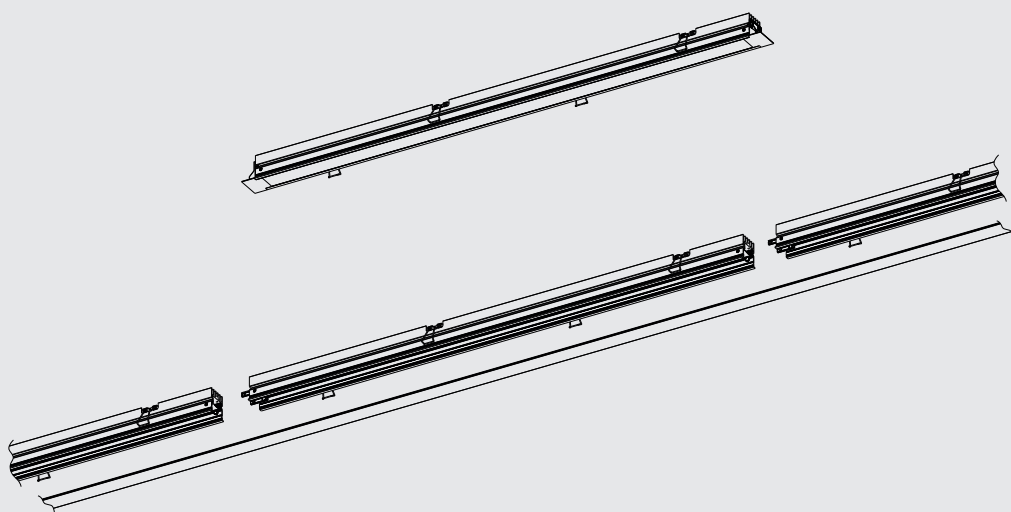


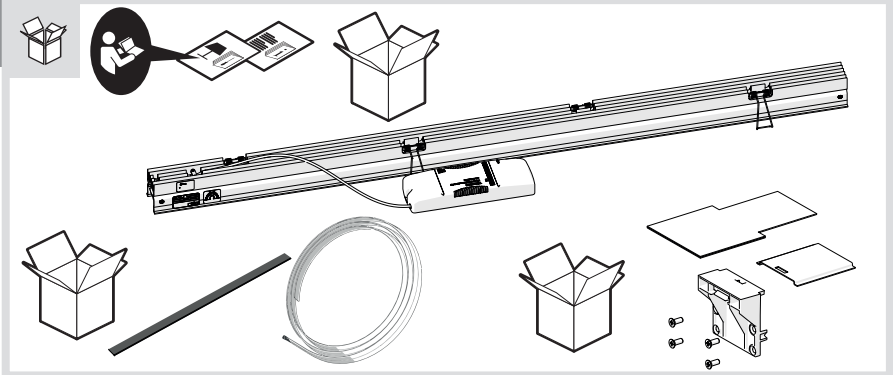
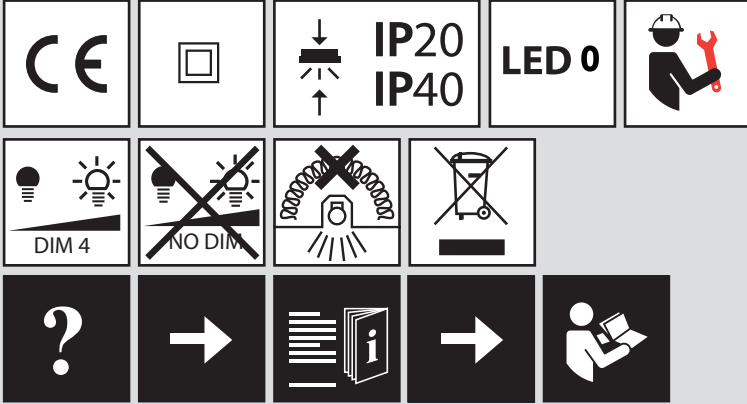
A.39 TRIM

design
Carlotta de Bevilacqua



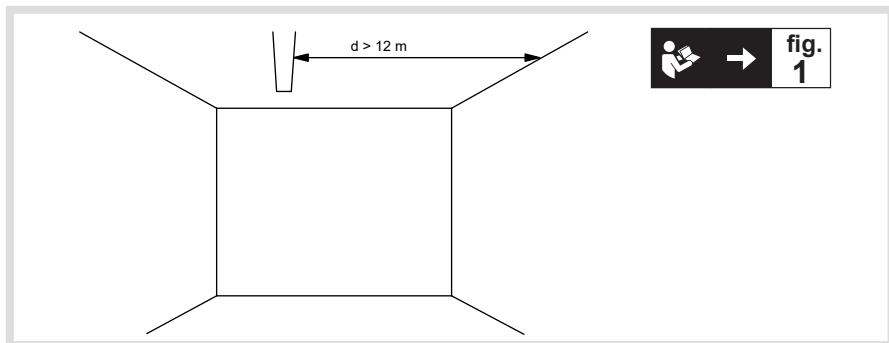
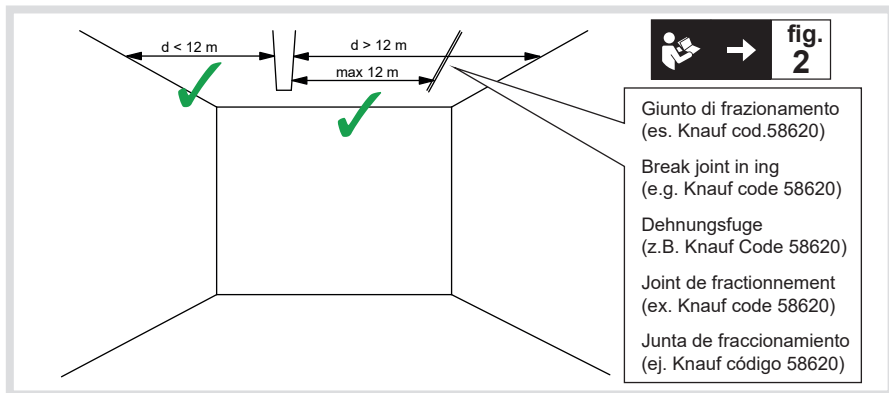
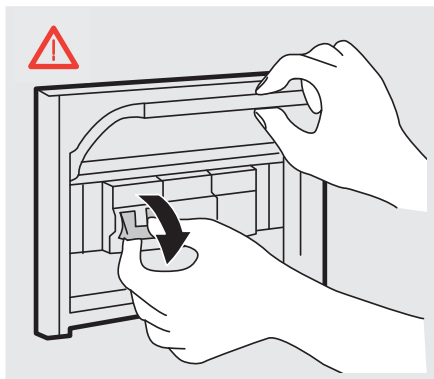
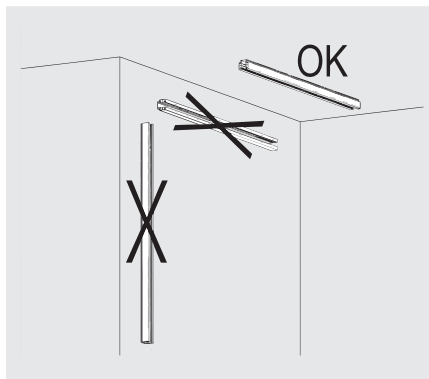


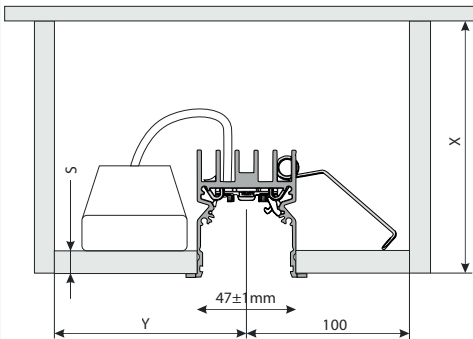
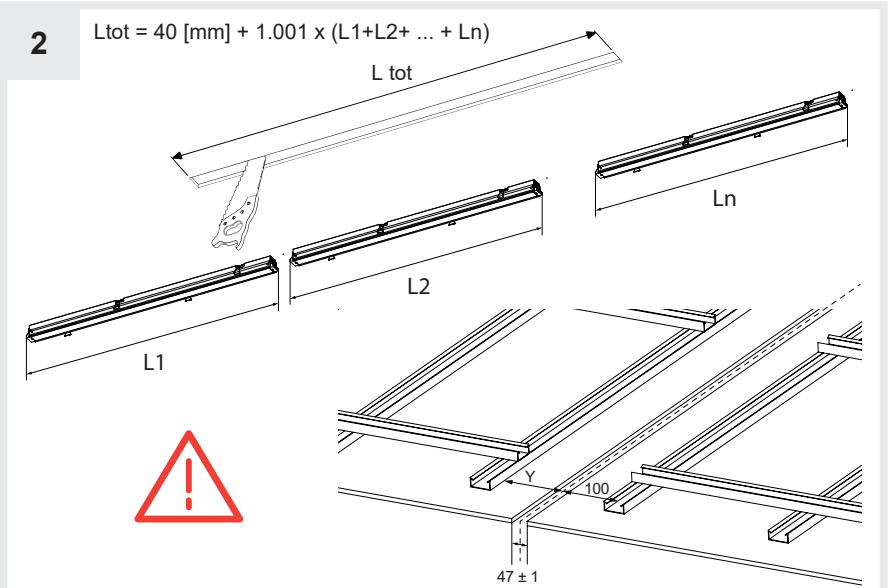
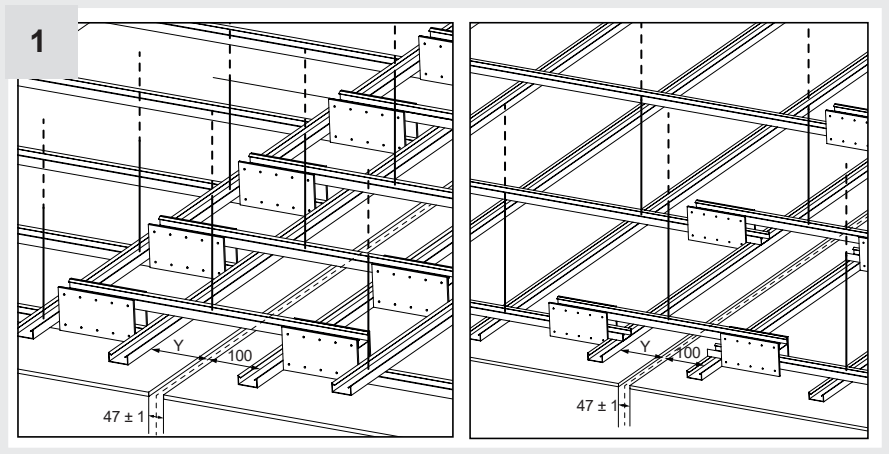
i



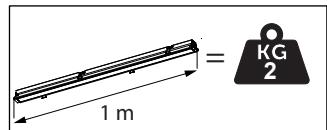
i

Type	ND/DALI	Lenght	Power [W]	Inom [A]	Inrush current [A]	Inrush current time [msec]	Leakage current [mA]
A.39 RECESSED TRIM/TRIMLESS	ND	1184	33	0.2	28	195	0.25
		1480	41	0.2	28	195	0.25
		1776	49	0.3	28	195	0.25
		2368	63	0.3	26	252	0.25
		2960	81	0.4	51	210	0.25
	DALI	1184	33	0.2	28	195	0.16
		1480	41	0.2	28	195	0.16
		1776	49	0.3	28	195	0.16
		2368	63	0.3	26	264	0.7
		2960	81	0.4	50	209	0.7

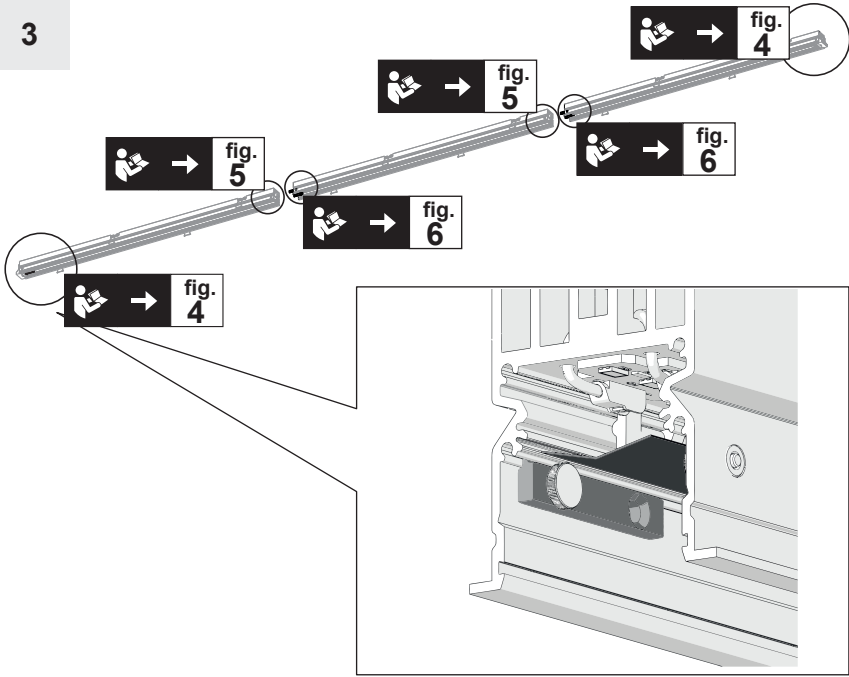




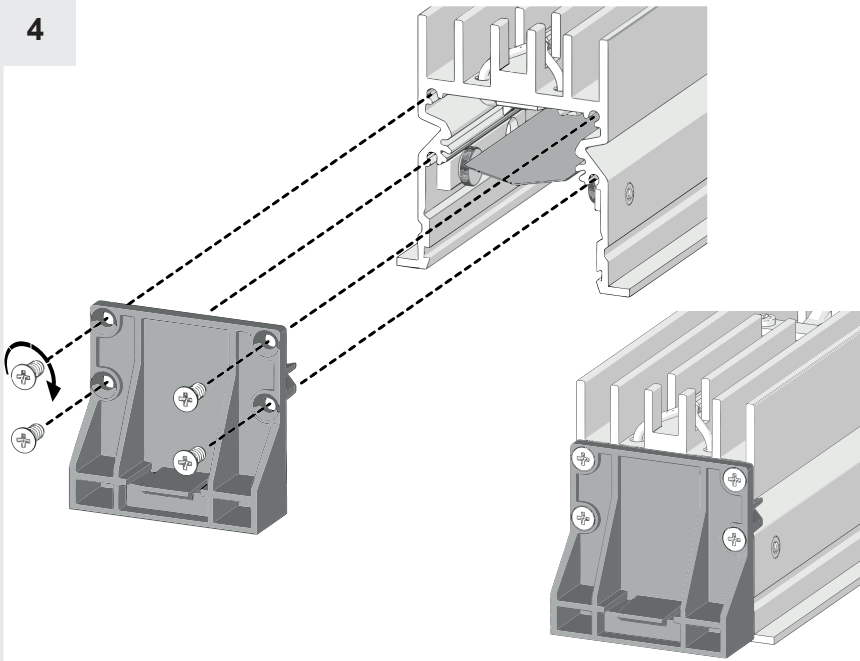
	S [mm]	L [mm]		
		1184+1776	2368	2960
X min [mm]	12,5	60	75	90
	25	75	90	100
Y min [mm]		110	120	140



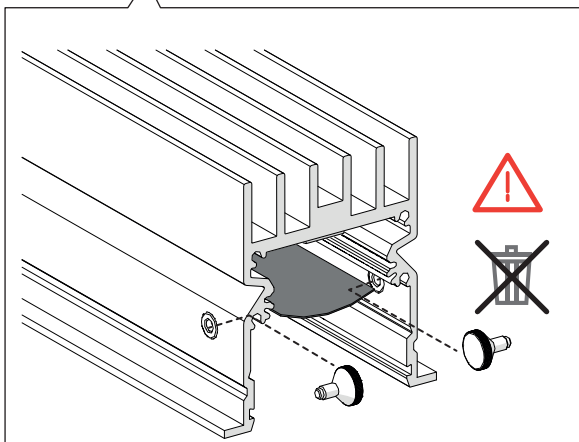
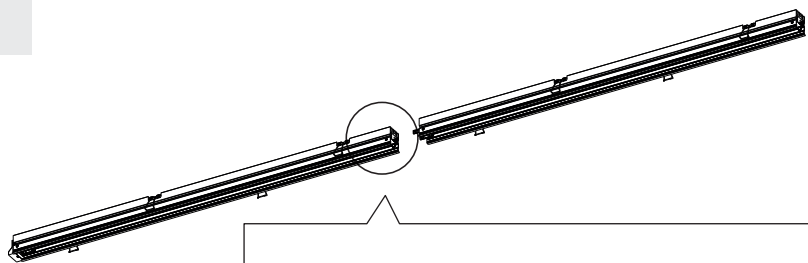
3



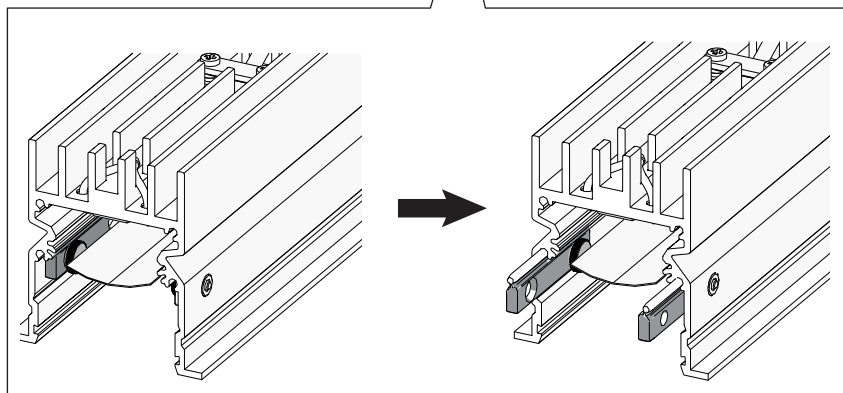
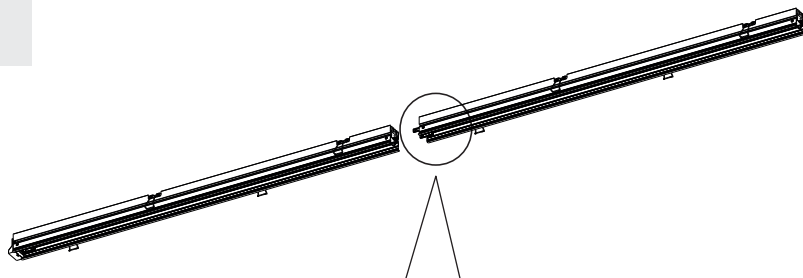
4

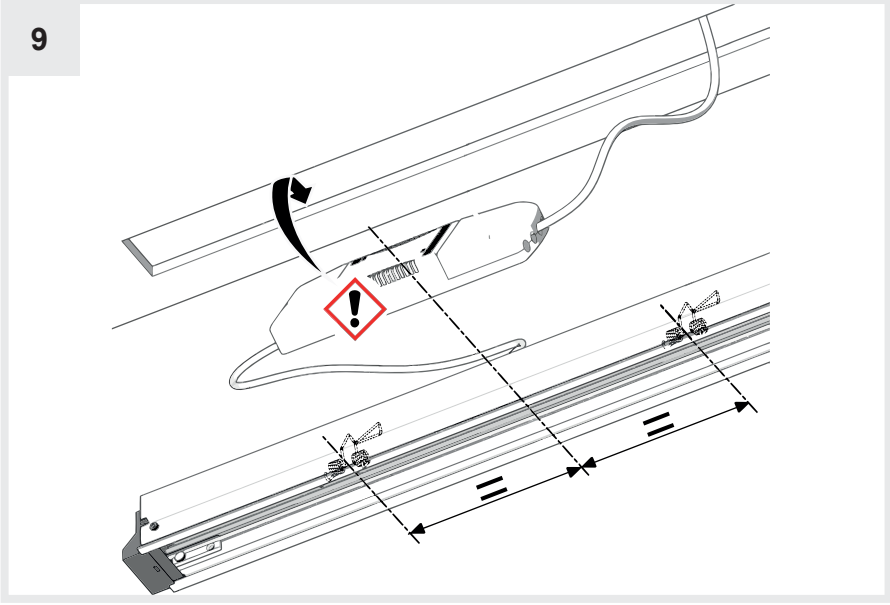
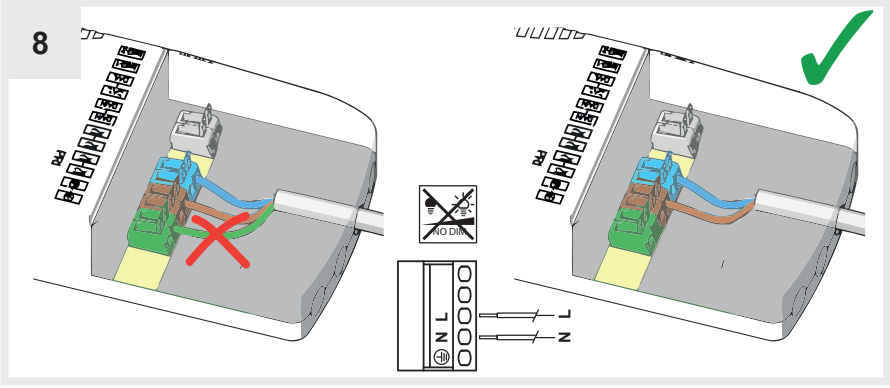
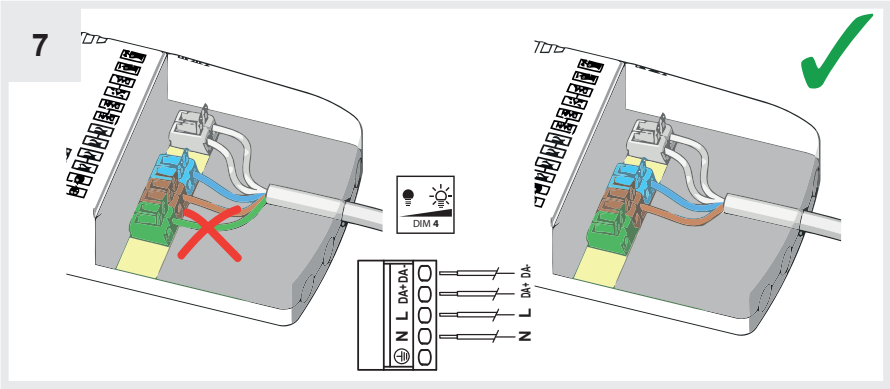


5

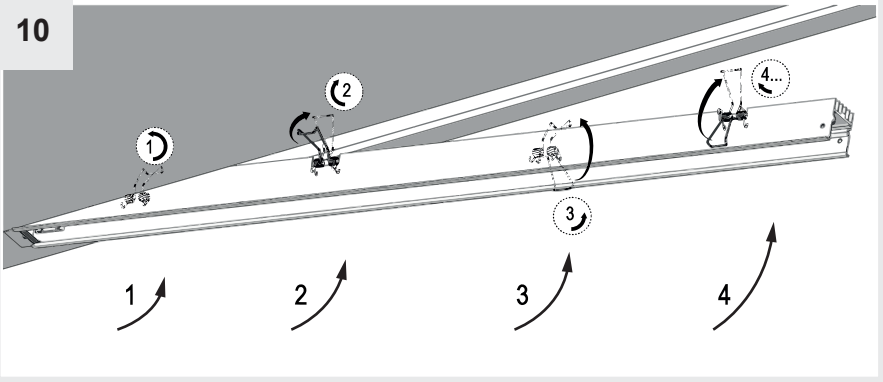


6

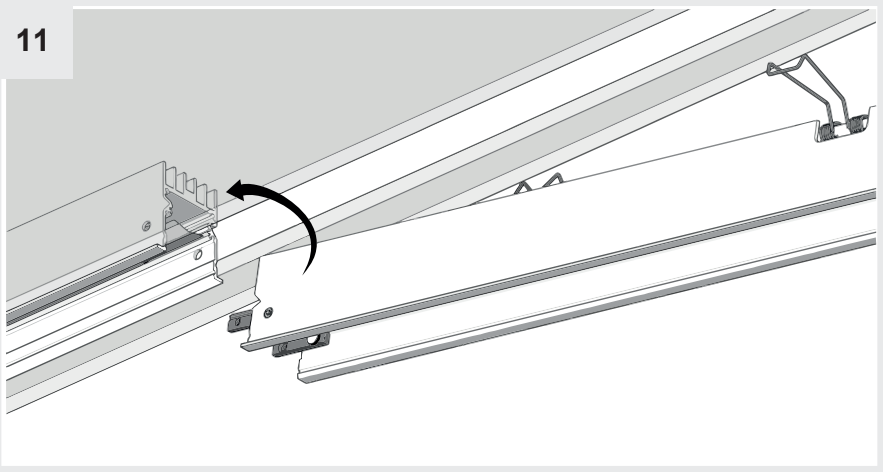




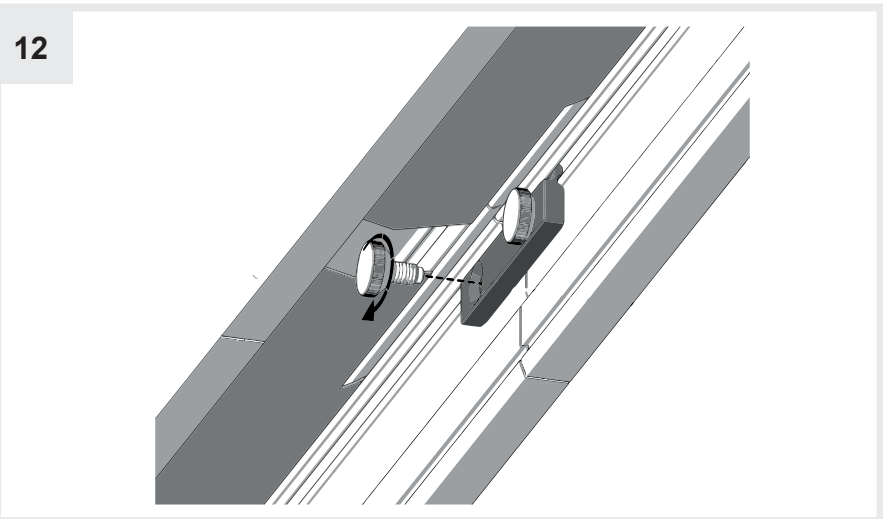
10



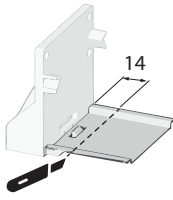
11



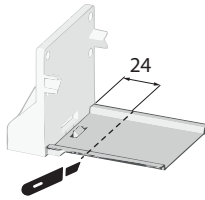
12



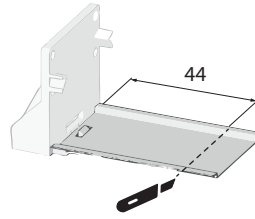
13



$L_{tot} < 5000 \text{ mm}$

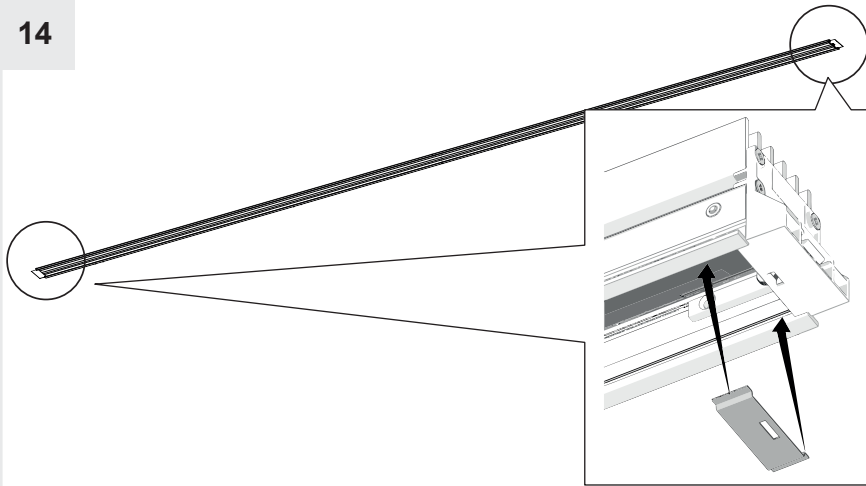


$5000 \text{ mm} < L_{tot} < 15000 \text{ mm}$

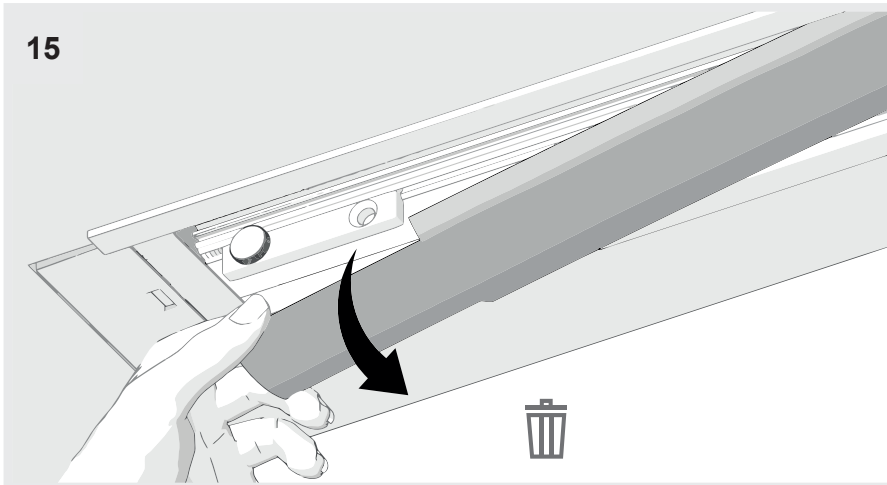


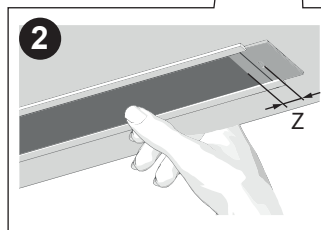
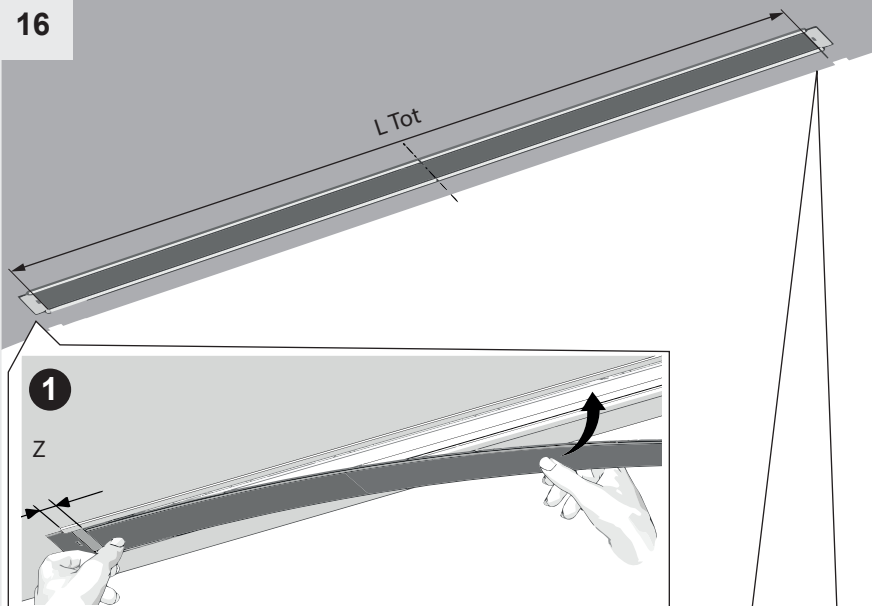
$15000 \text{ mm} < L_{tot} < 35000 \text{ mm}$




14



15



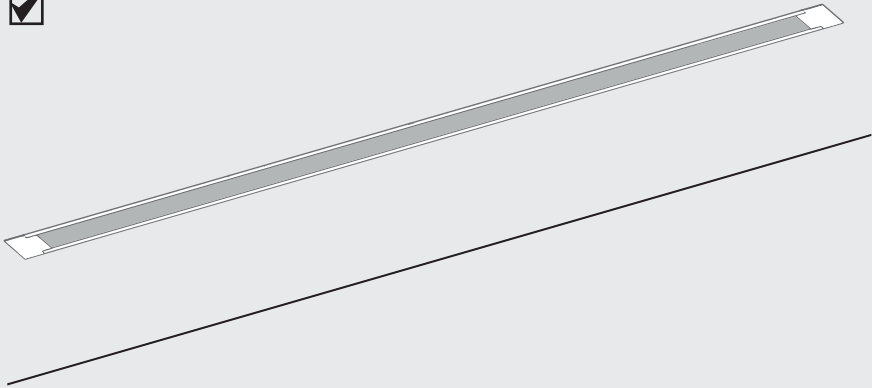
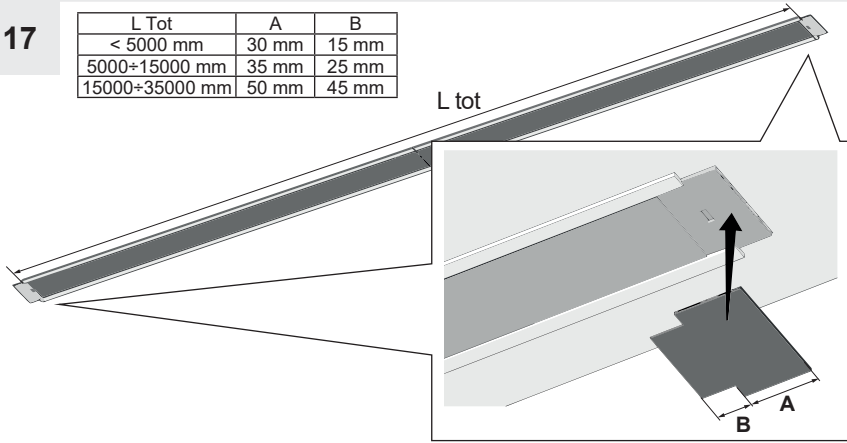


L Tot [mm]			Z [mm]
1184	1184 mm	✗	~10
1480	2368 mm	✓	~10
1776	2368 mm	✓	~10
2368	2368 mm	✗	~10
2960	2960 [mm]	✗	~10
2960 L Tot < 5000		✓	10
5000 L Tot < 15000		✓	15
15000 L Tot < 35000		✓	25

17

L Tot	A	B
< 5000 mm	30 mm	15 mm
5000+15000 mm	35 mm	25 mm
15000+35000 mm	50 mm	45 mm

L tot





Artemide Spa

via Bergamo, 18
20010 Pregnana M.se (MI)
ITALIA

Tel. +39 02 935 181
Fax +39 02 935 90 254
Fax +39 02 935 90 496

www.artemide.com

VAT IT00846890150