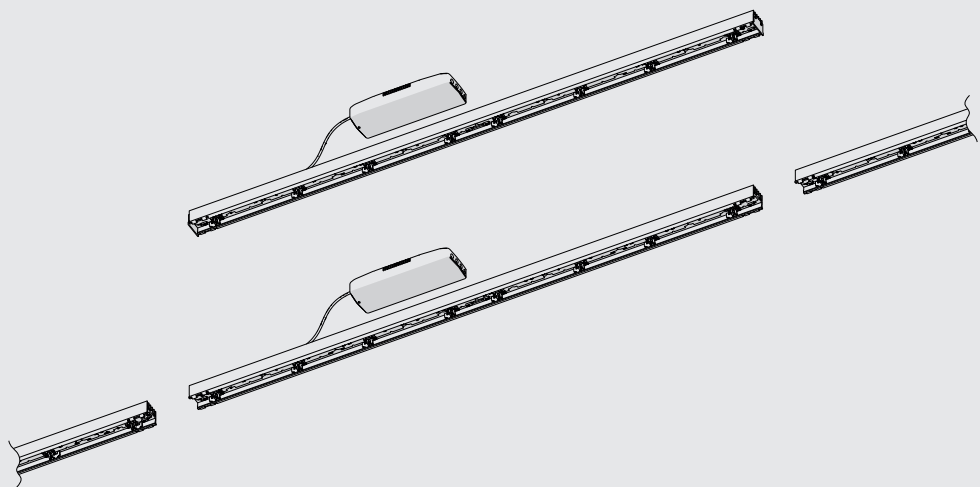


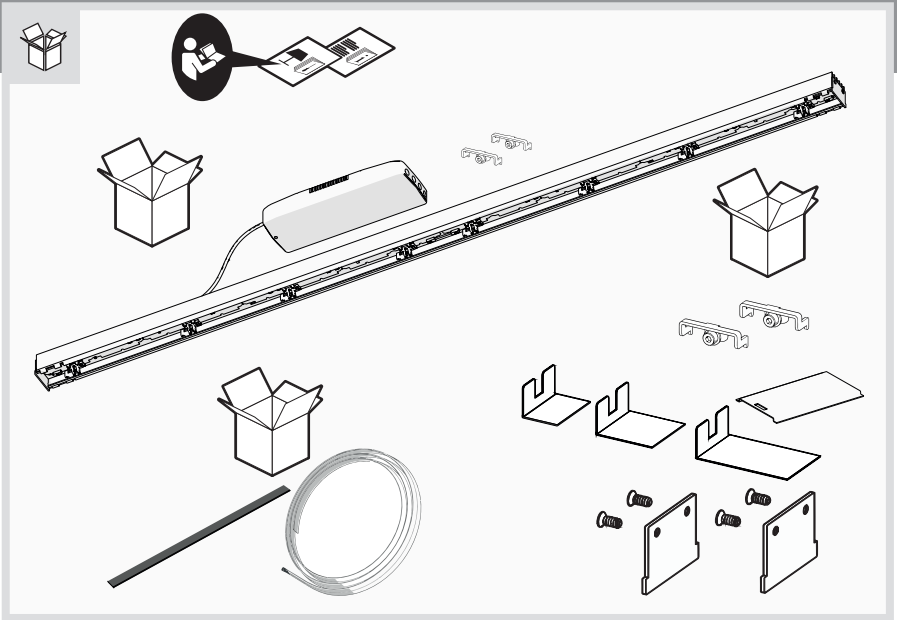
## A.39 MODULI TRIMLESS

design  
Carlotta de Bevilacqua



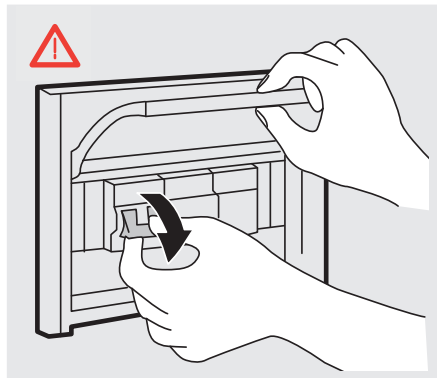
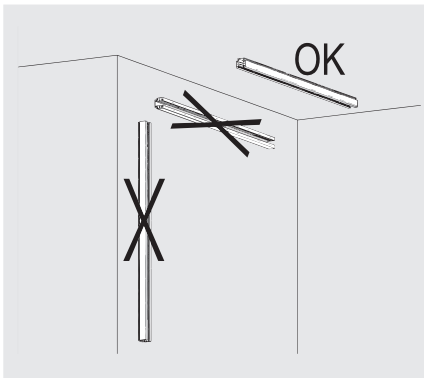
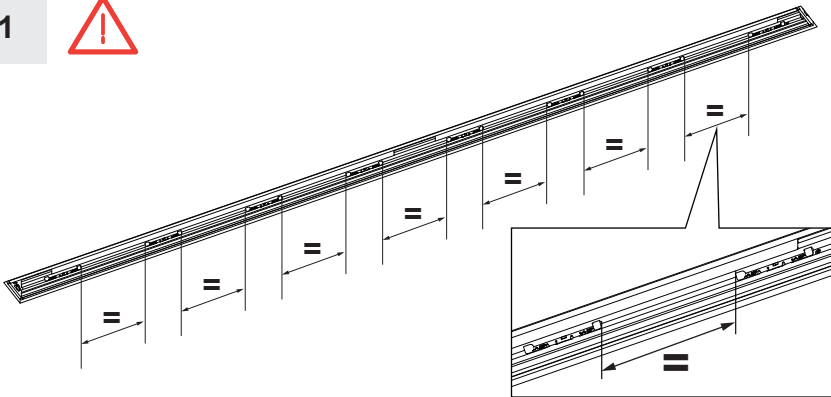


		 IP20 IP40	 LED 0	
 DIM 4	 NO DIM			

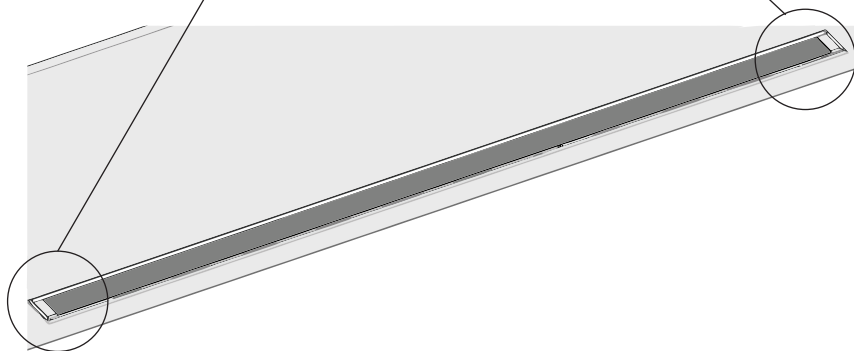
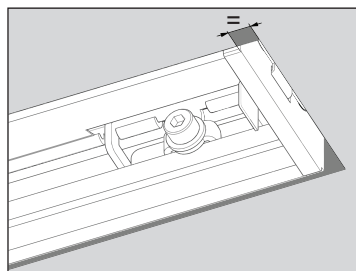
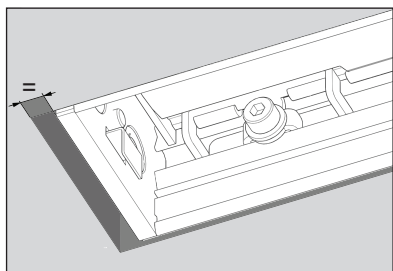


**i**

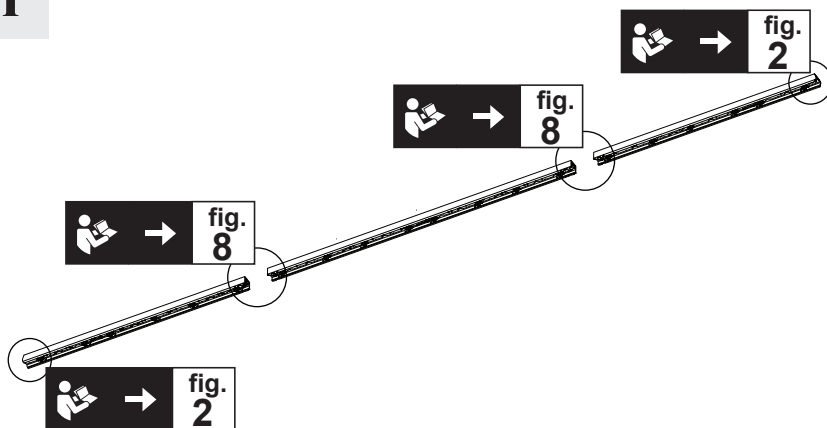
Type	ND/DALI	Lenght	Power [W]	Inom [A]	Inrush current [A]	Inrush current time [msec]	Leakage current [mA]
A.39 RECESSED TRIM/TRIMLESS	ND	1184	33	0.2	28	195	0.25
		1480	41	0.2	28	195	0.25
		1776	49	0.3	28	195	0.25
		2368	63	0.3	26	252	0.25
		2960	81	0.4	51	210	0.25
	DALI	1184	33	0.2	28	195	0.16
		1480	41	0.2	28	195	0.16
		1776	49	0.3	28	195	0.16
		2368	63	0.3	26	264	0.7
		2960	81	0.4	50	209	0.7

**1**

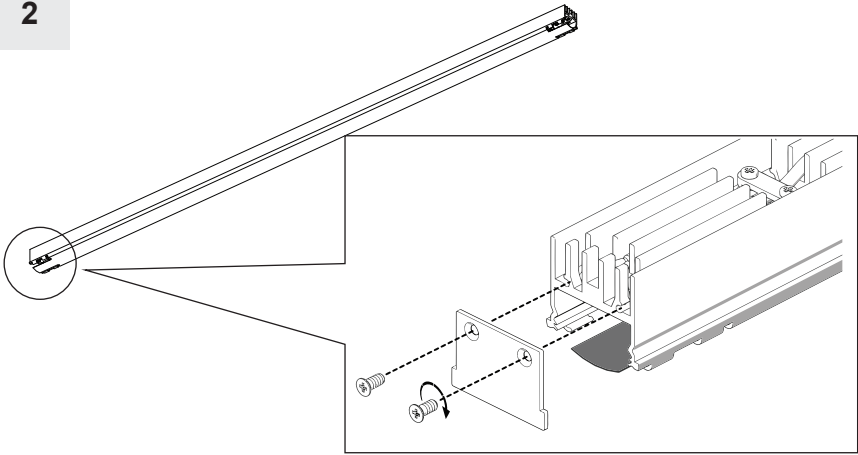
**i**



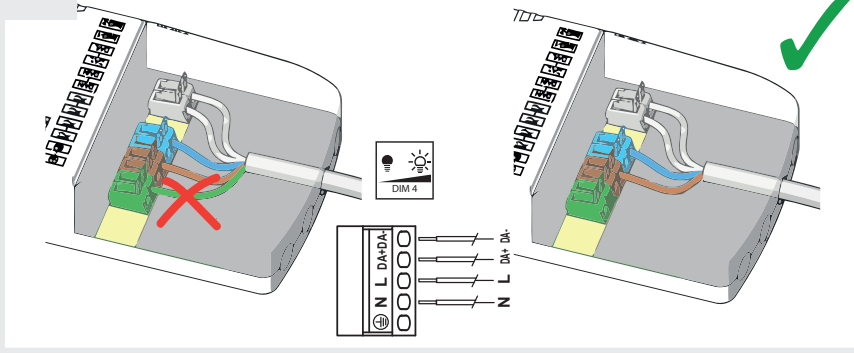
**i**



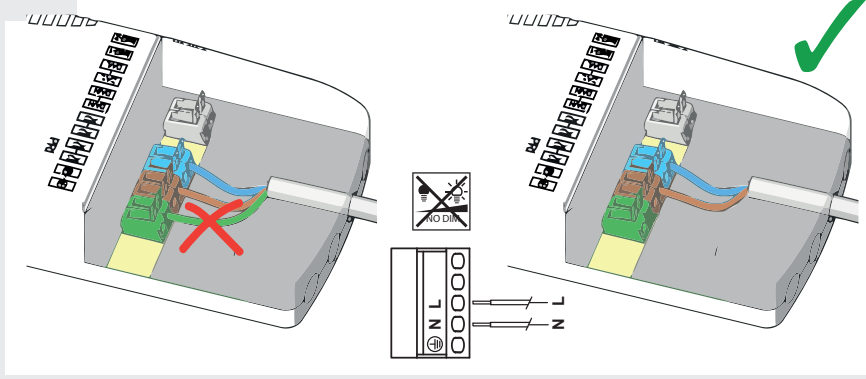
2



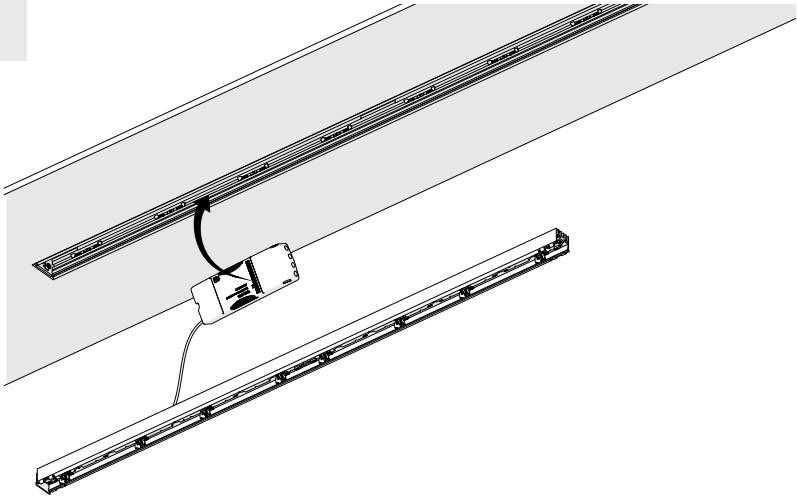
3



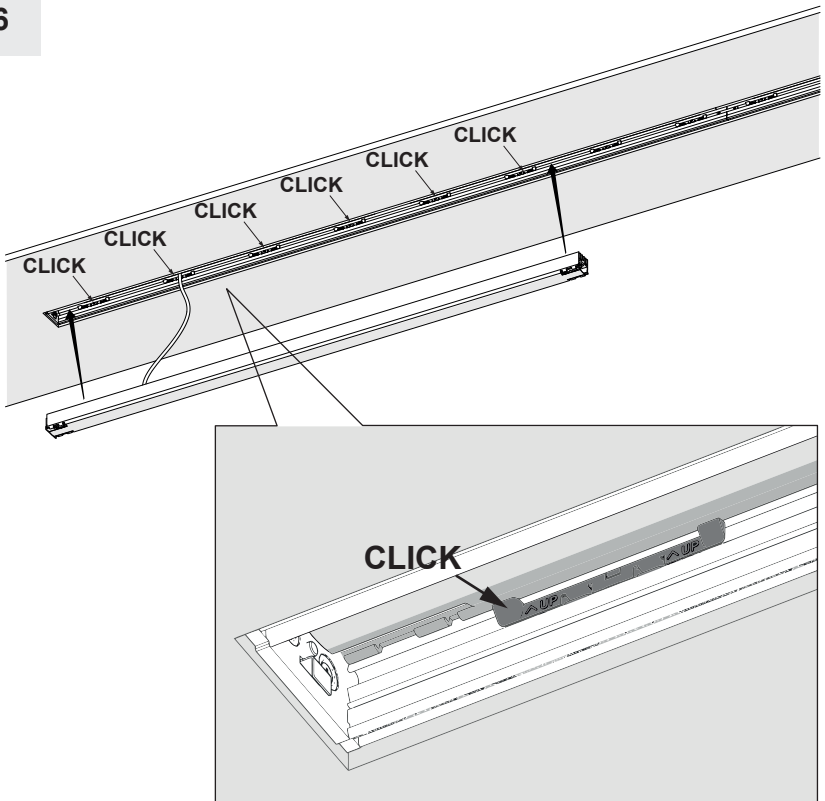
4



5

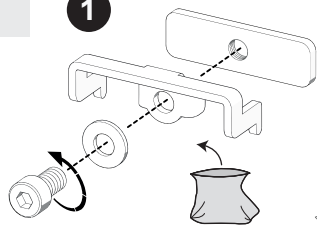


6

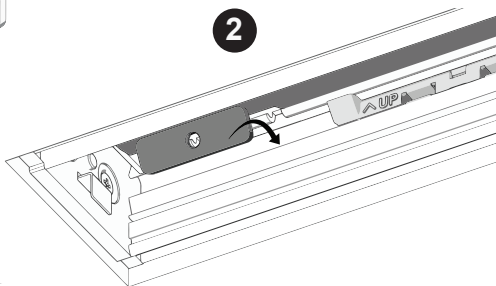


7

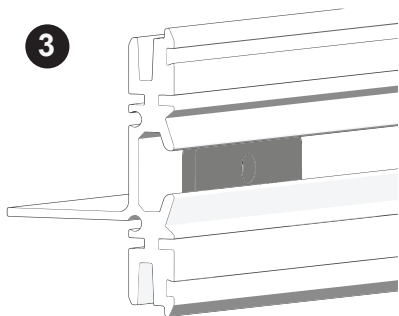
1



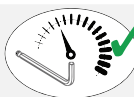
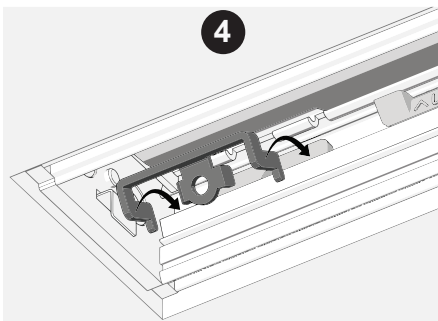
2



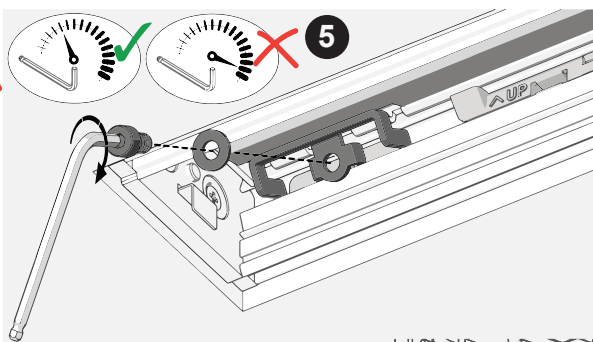
3



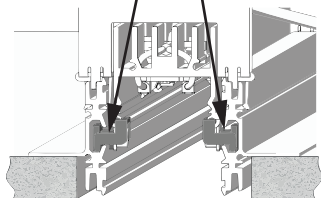
4



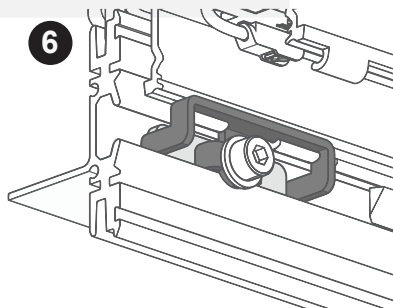
5



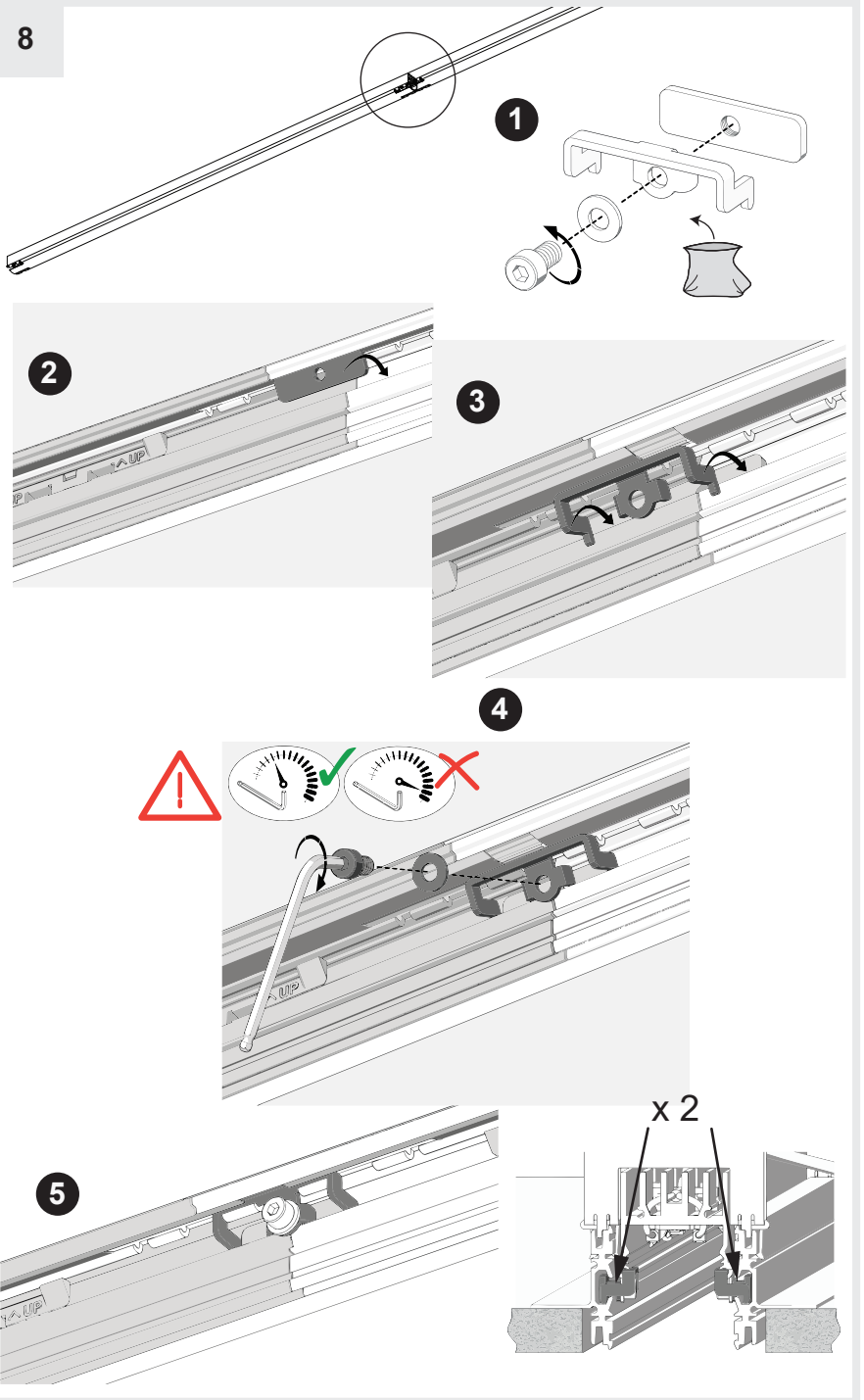
x 2



6

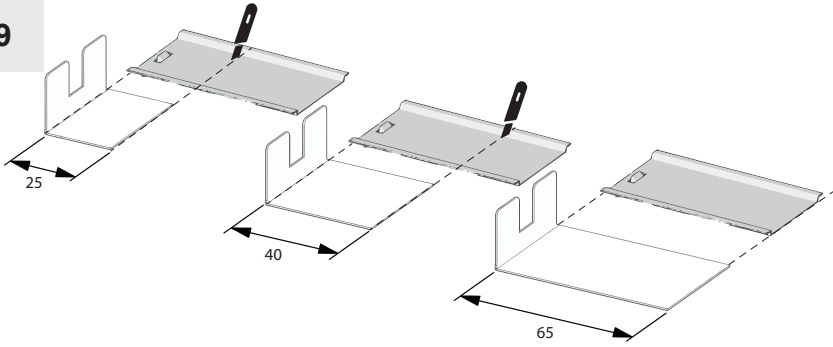


8





9

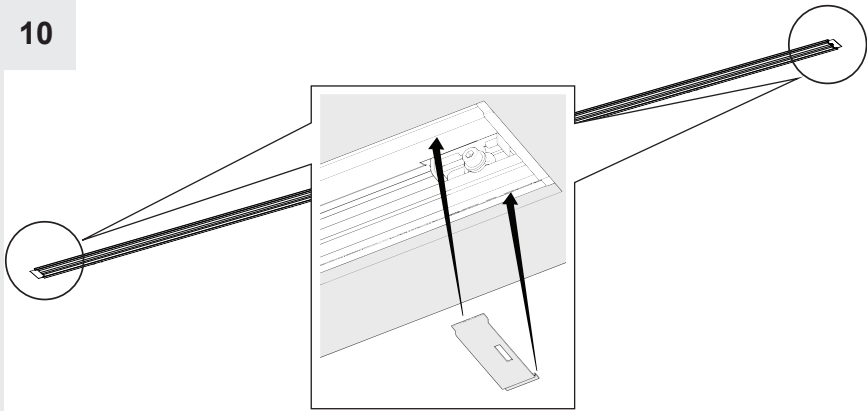


$L_{tot} < 5000 \text{ mm}$

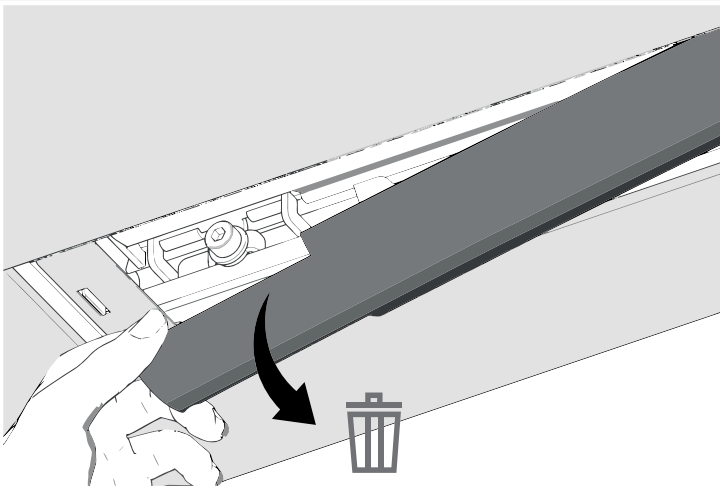
$5000 \text{ mm} < L_{tot} < 15000 \text{ mm}$

$15000 \text{ mm} < L_{tot} < 35000 \text{ mm}$




10



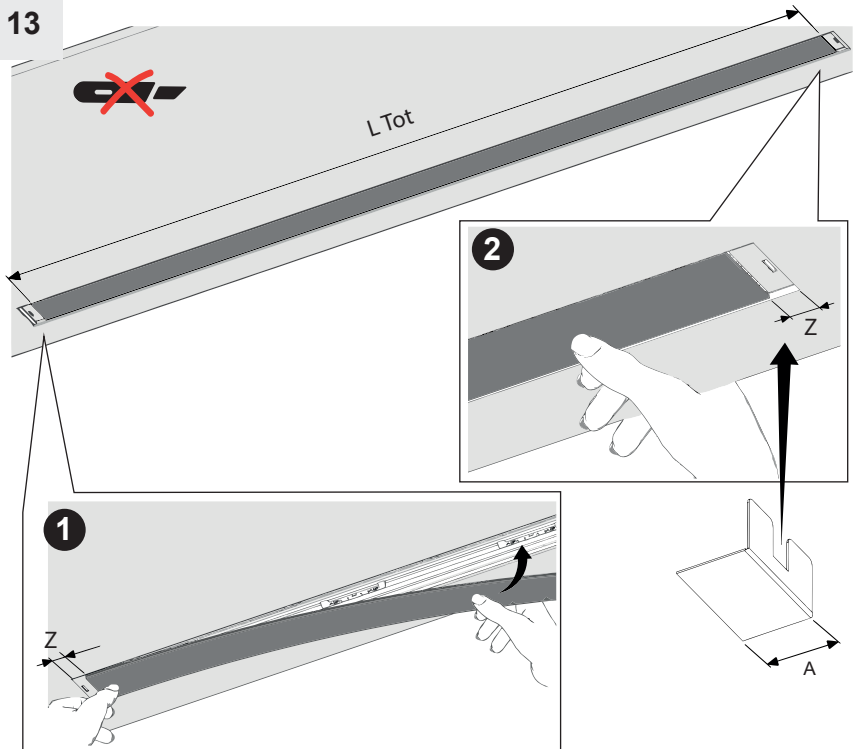
11



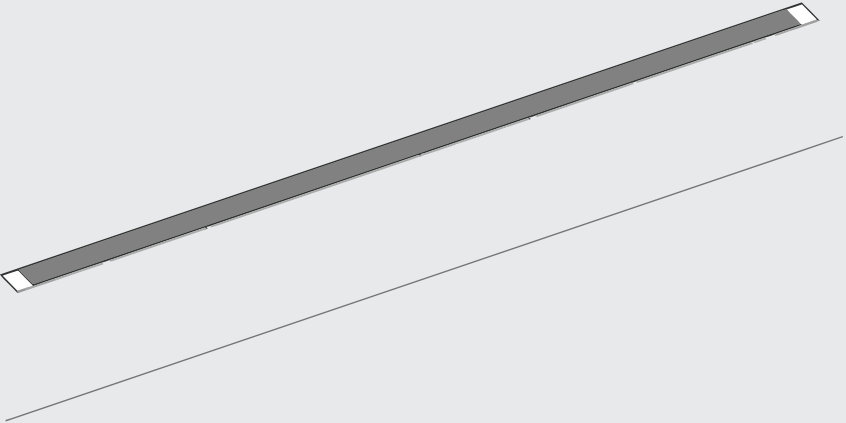
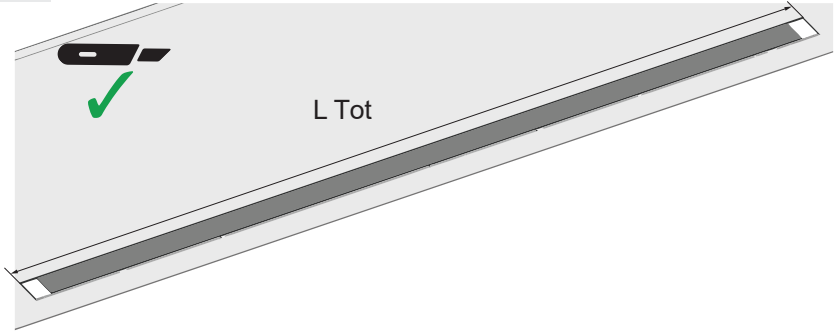
12

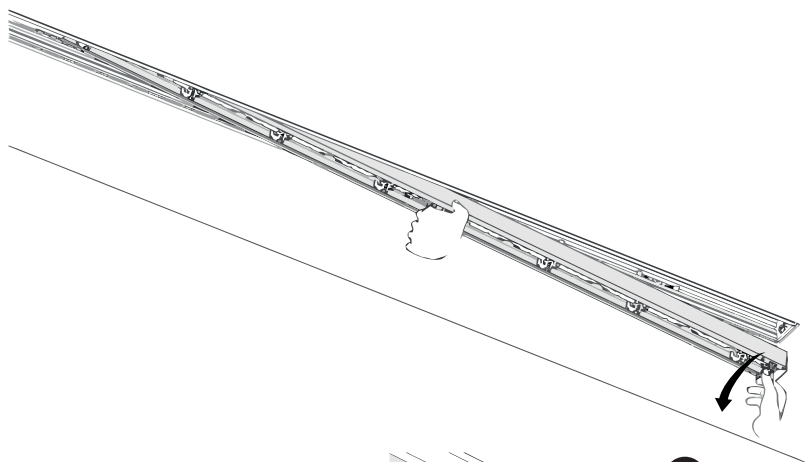
L Tot [mm]			Z [mm]	A
1184	1184 mm	✗	~10	25
1480	2368 mm	✓	~10	25
1776	2368 mm	✓	~10	25
2368	2368 mm	✗	~15	25
2960	2960 [mm]	✗	~15	25
2960 L Tot < 5000	 10/25/50 m	✓	10	25
5000 L Tot < 15000		✓	25	40
15000 L Tot < 35000		✓	50	65

13

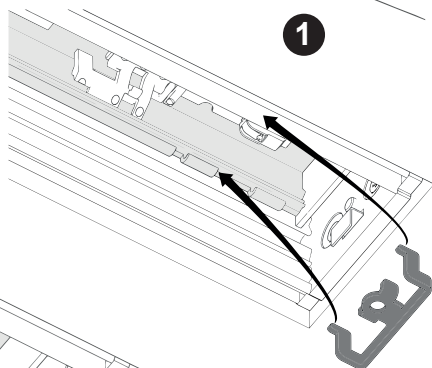


14

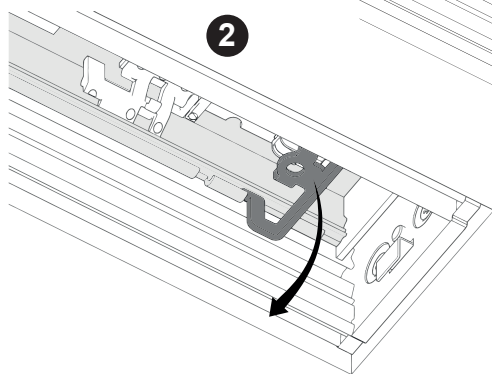




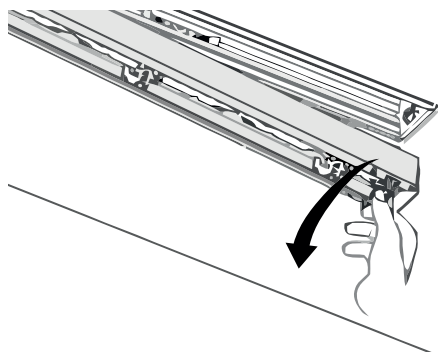
1

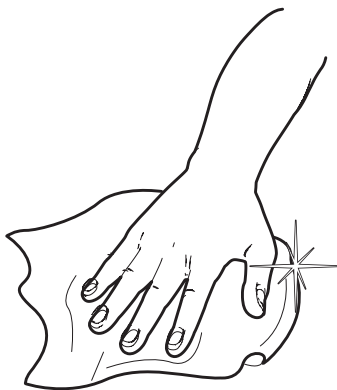
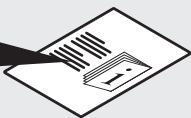


2



3









**Artemide**<sup>®</sup>  
ARCHITECTURAL



## **Artemide Spa**

via Bergamo, 18  
20010 Pregnana M.se (MI)  
ITALIA

Tel. +39 02 935 181  
Fax +39 02 935 90 254  
Fax +39 02 935 90 496

[www.artemide.com](http://www.artemide.com)

VAT IT00846890150

cod. Y513000919