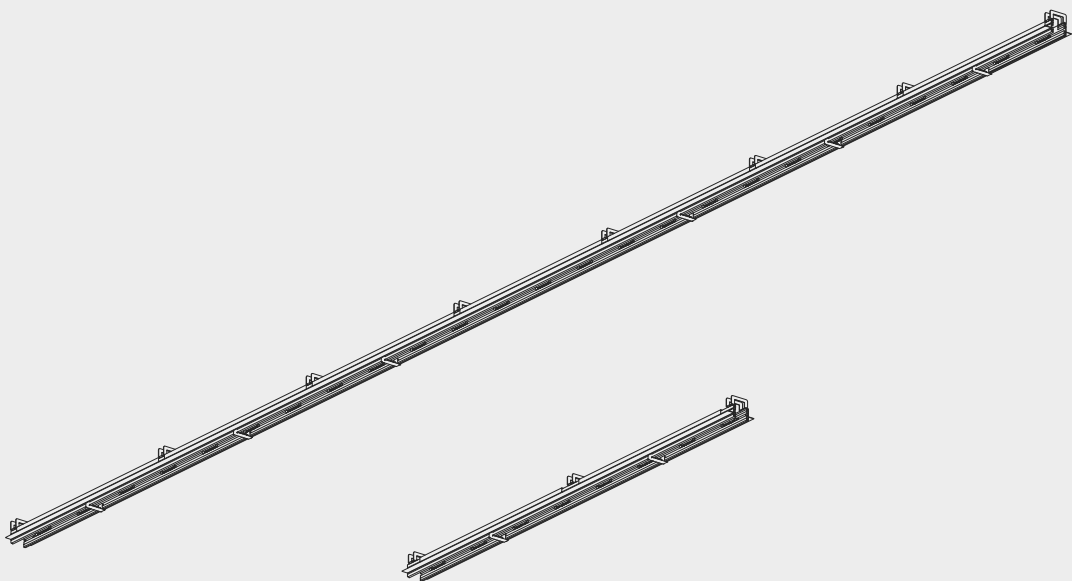


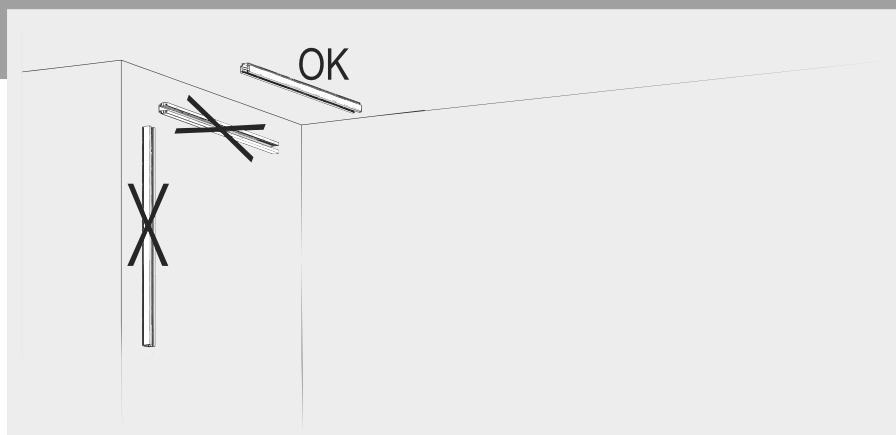
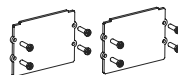
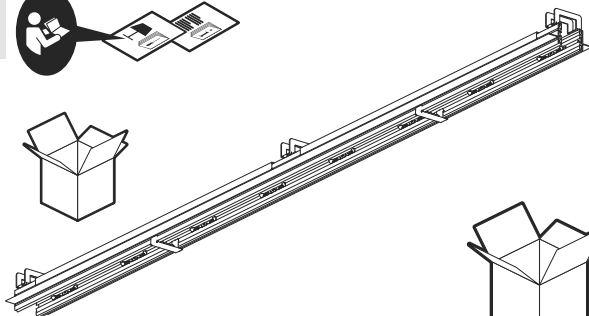
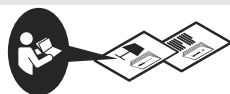
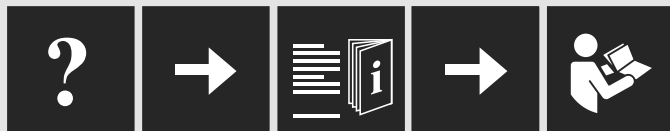
A.39 SHARPING TELAIO TRIMLESS

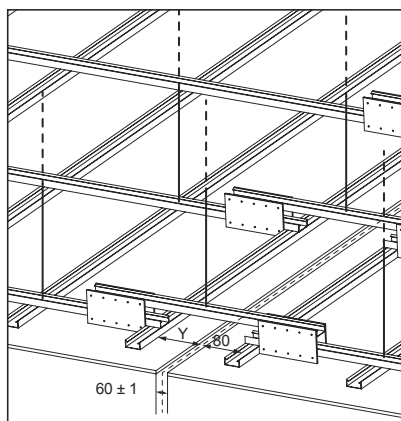
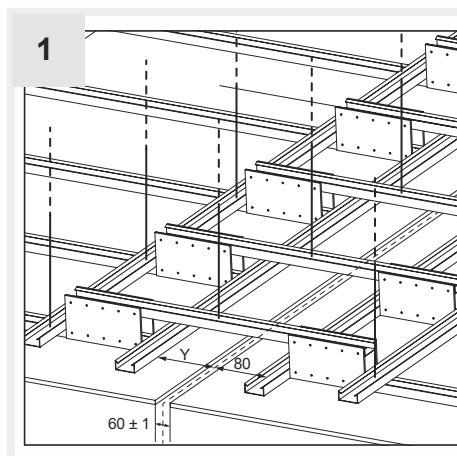
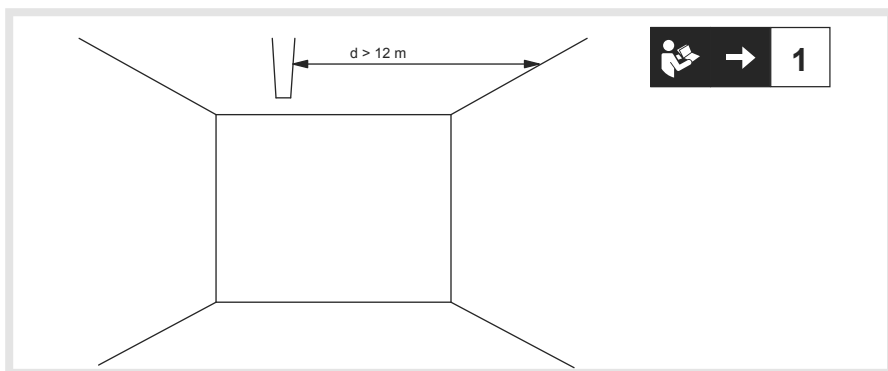
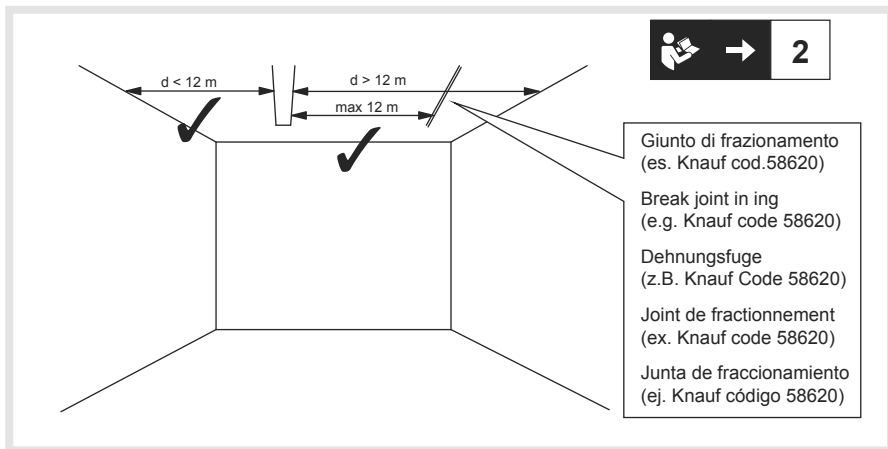
design
Carlotta de Bevilacqua

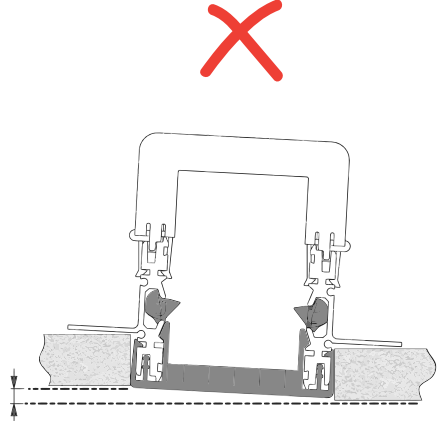
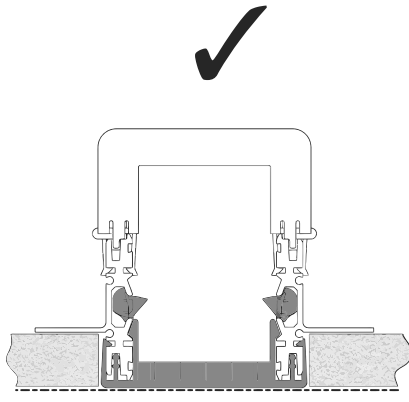
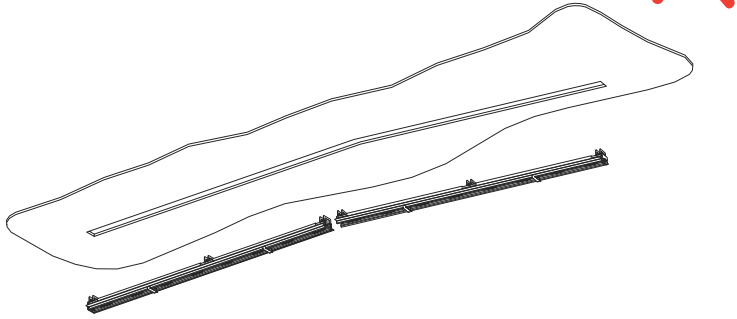
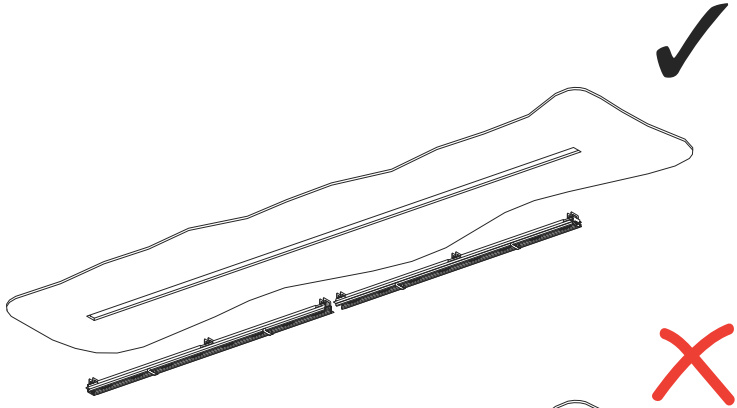




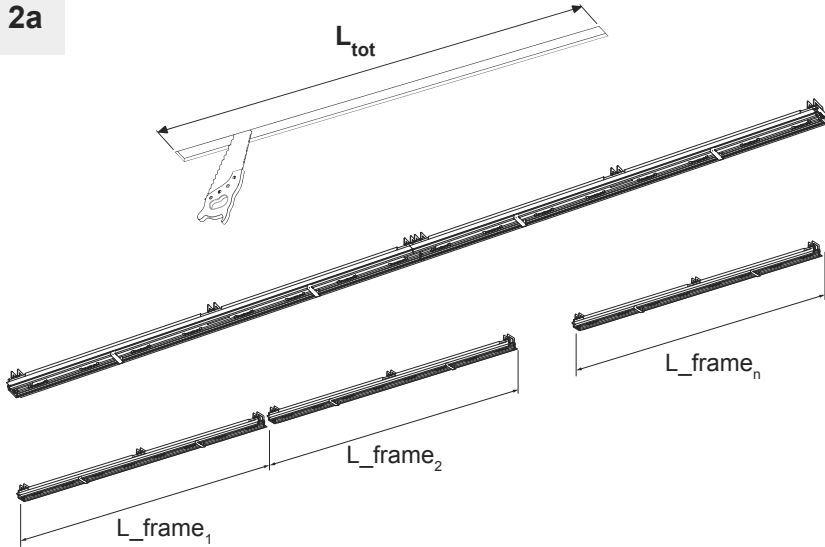
i





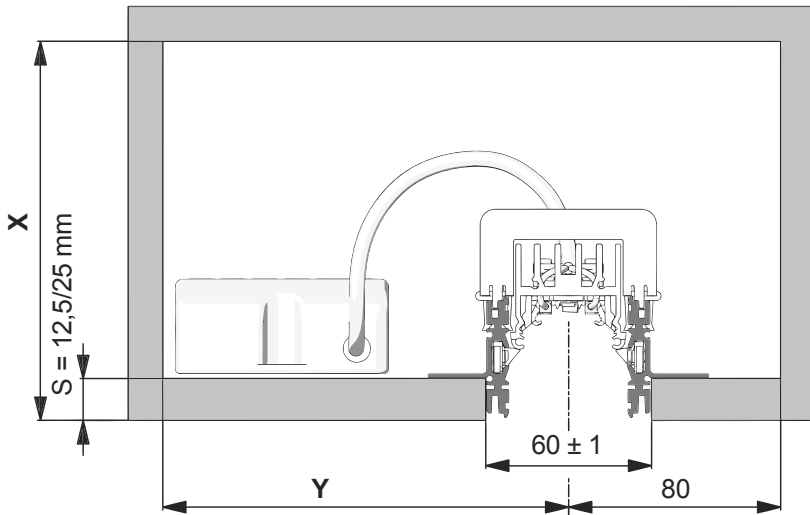


2a



$$L_{tot} = L_{frame_1} + L_{frame_2} + \dots + L_{frame_n}$$

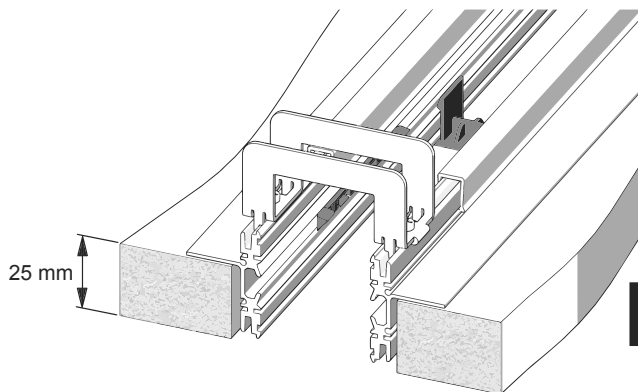
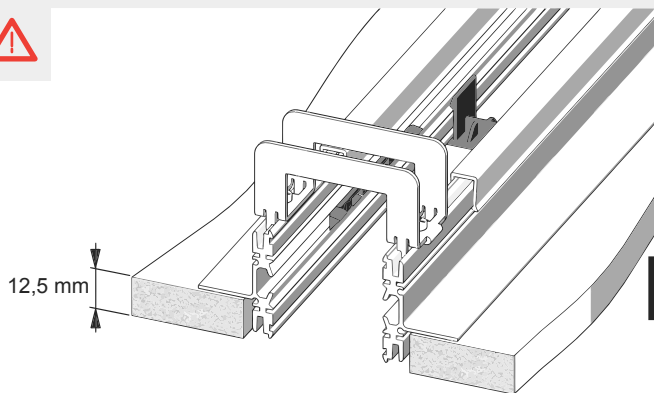
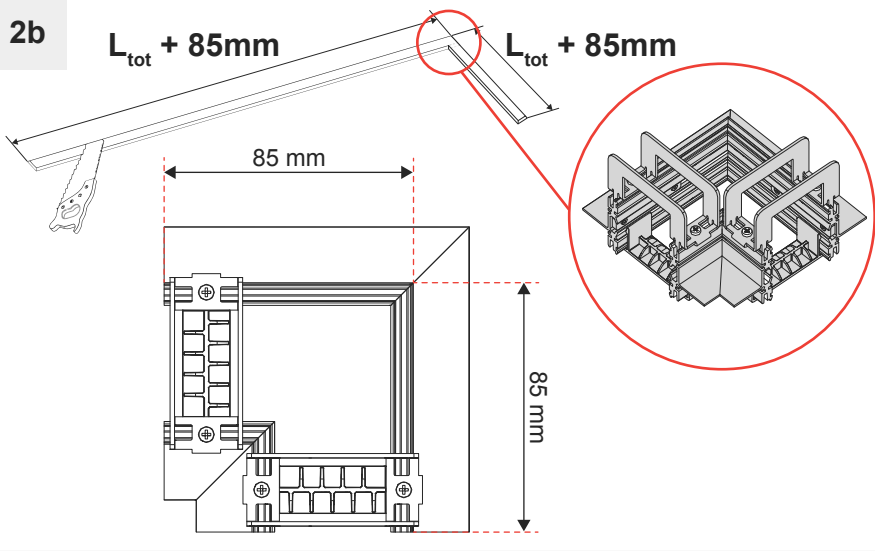
	Driver		
	25/45W	60W	100W
X [mm]	100	110	125
Y [mm]	120	130	150



2b

$L_{tot} + 85\text{mm}$

$L_{tot} + 85\text{mm}$



3

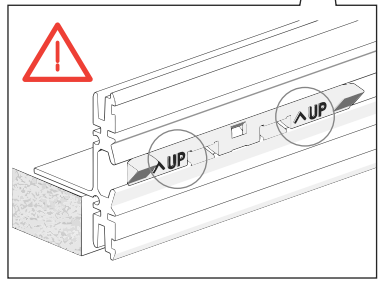
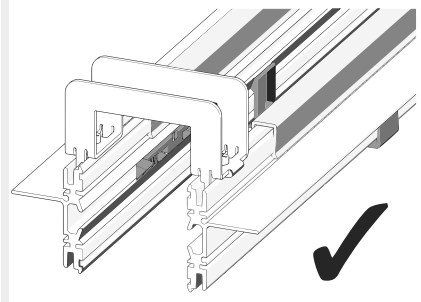
1

2

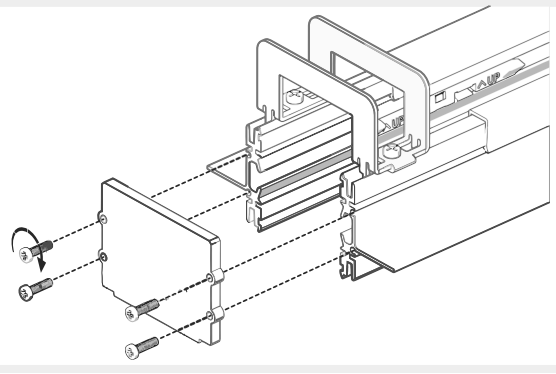
180°

25 mm

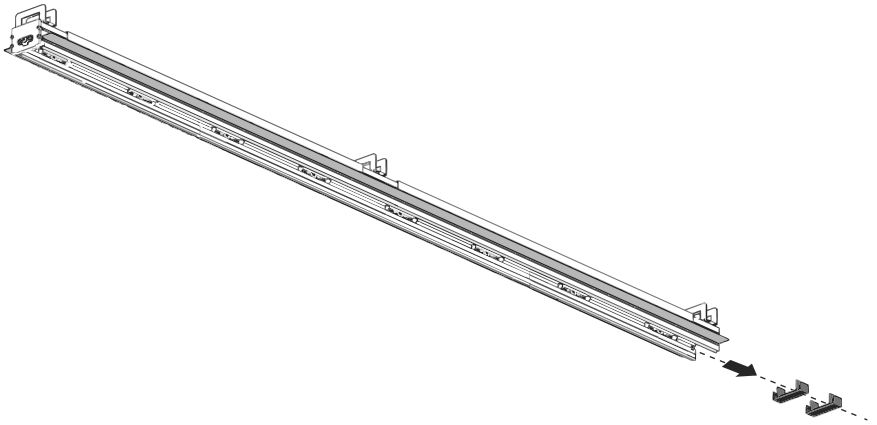
12,5 mm



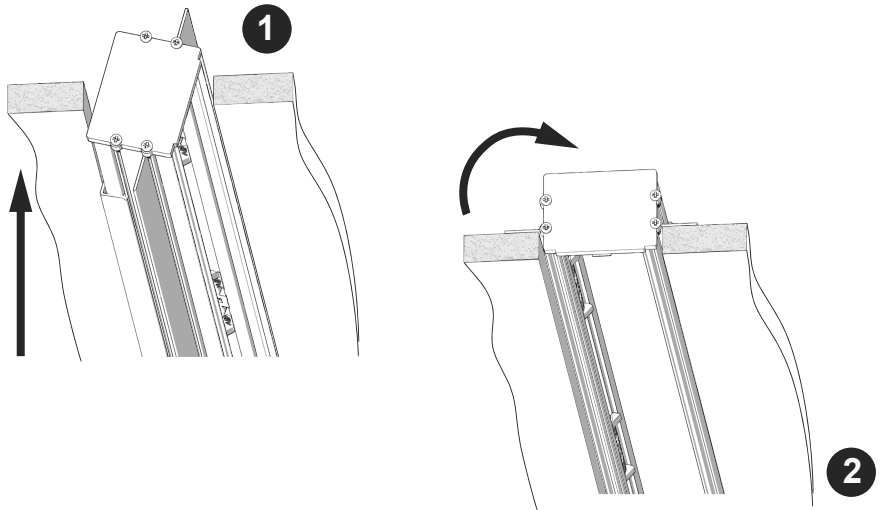
4

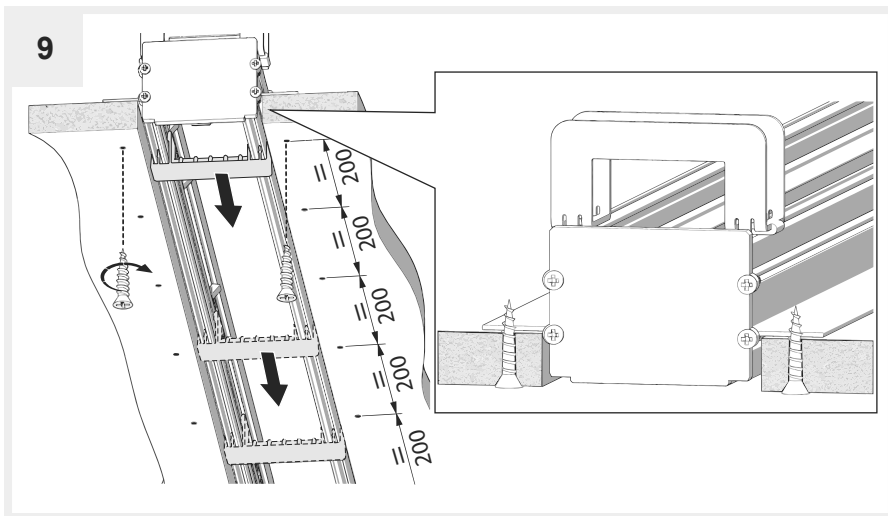
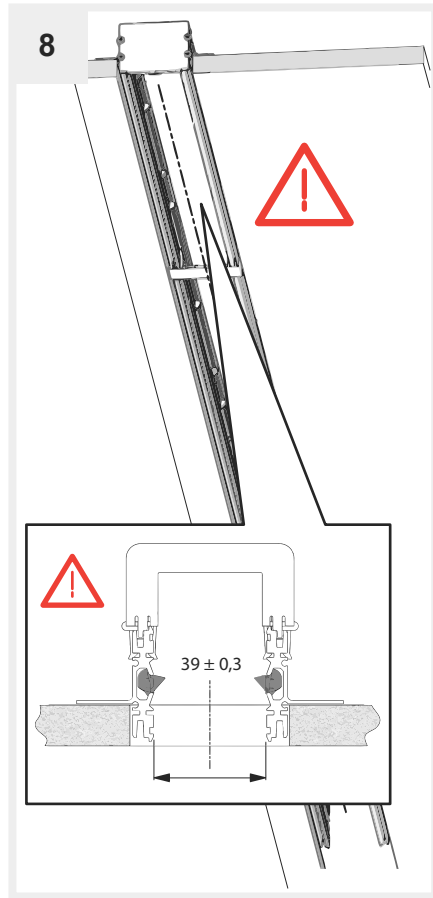


5

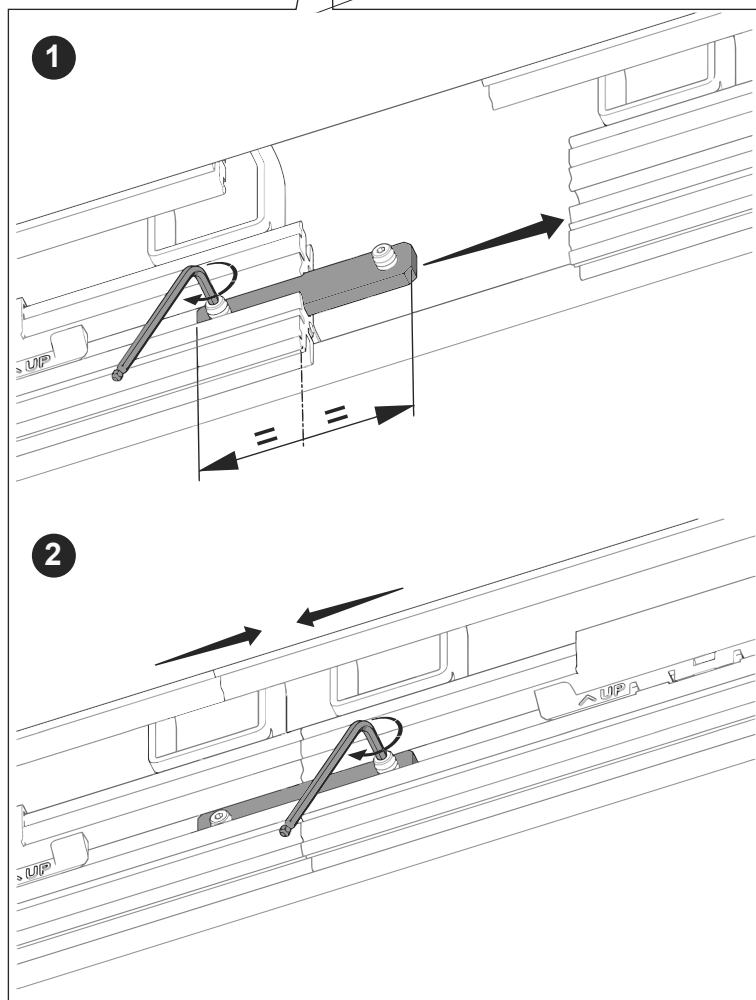
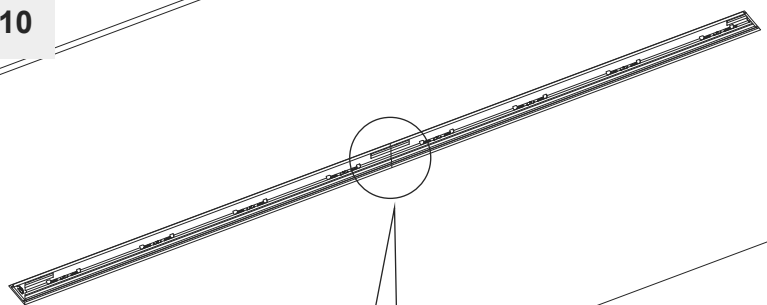


6

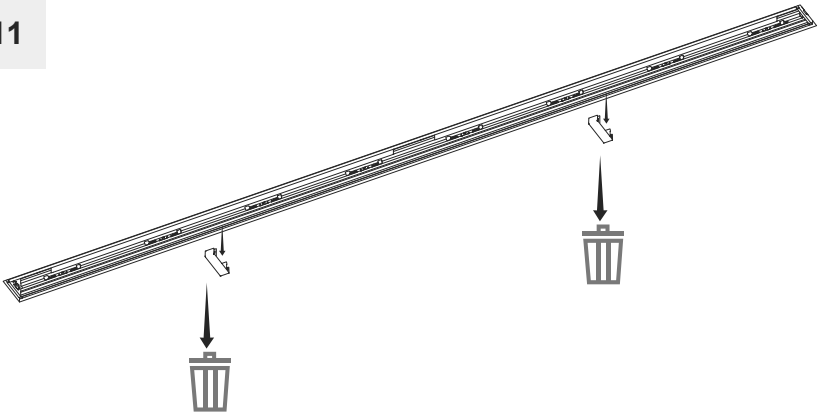




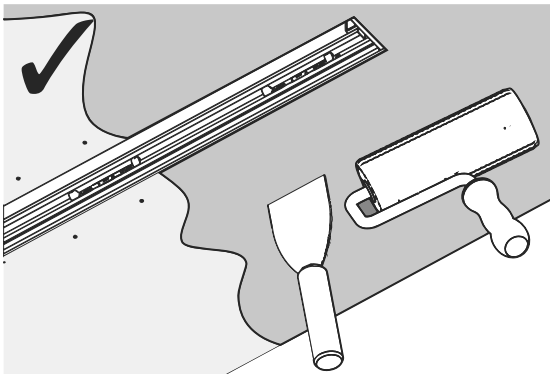
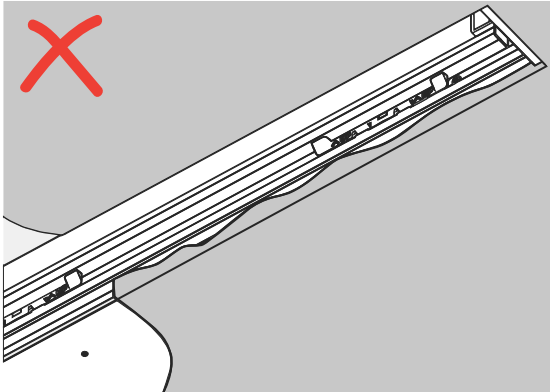
10



11



12





Artemide Spa

via Bergamo, 18
20010 Pregnana M.se (MI)
ITALIA

Tel. +39 02 935 181
Fax +39 02 935 90 254
Fax +39 02 935 90 496

www.artemide.com

VAT IT00846890150