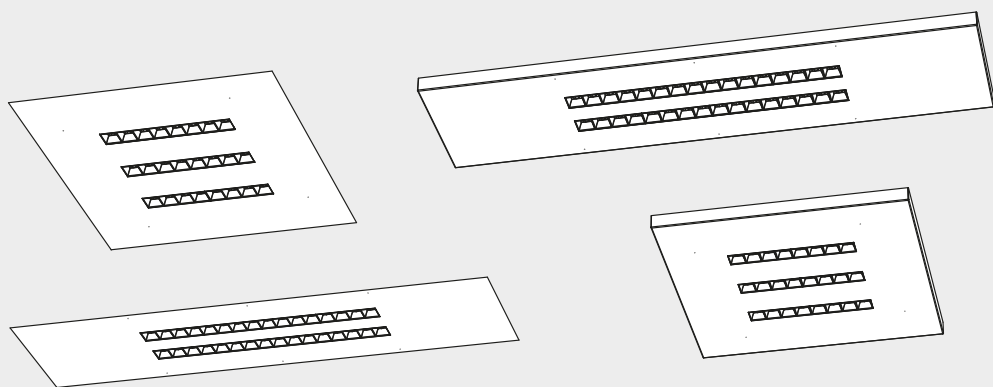


## A.39 600x600 - 1200x300

design  
Carlotta de Bevilacqua





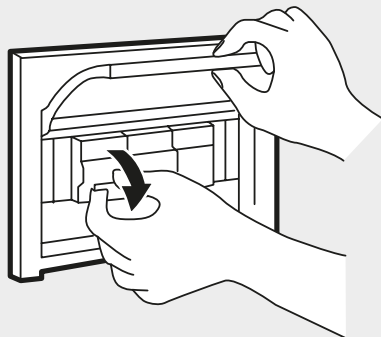
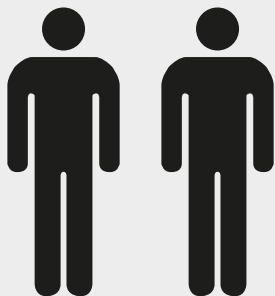
i



Artemide  
INTEGRALIS



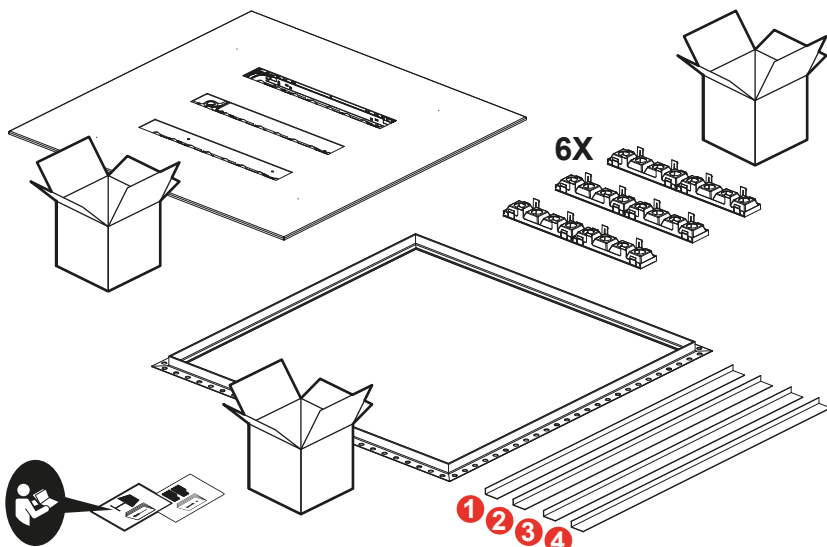
A





A

## A.39 600x600 RECESSED



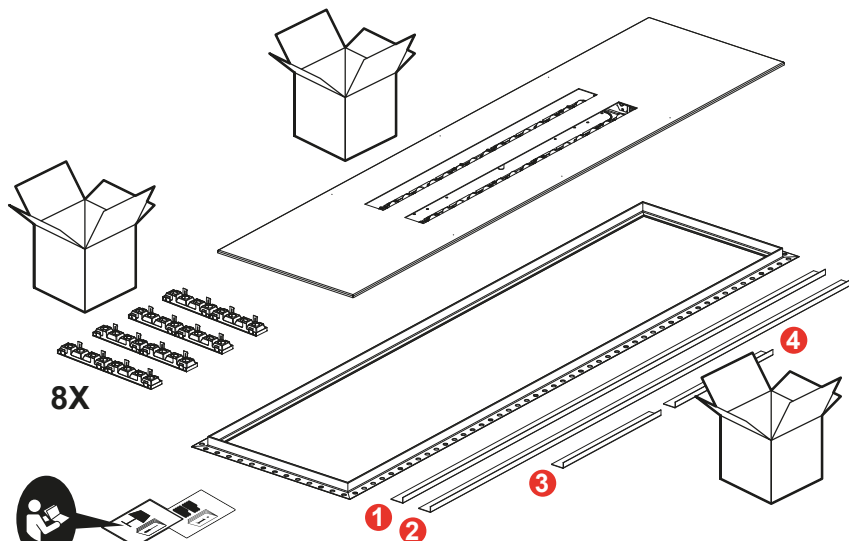
Artemide  
INTEGRALIS

ONLY FOR CD0031XXIN0



A

## A.39 1200x300 RECESSED



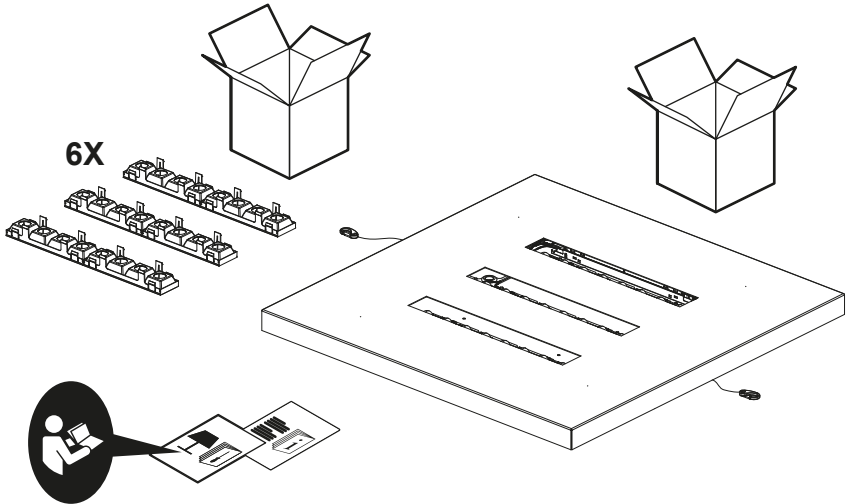
Artemide  
INTEGRALIS

ONLY FOR CD0131XXIN0



**B**

**A.39 600x600 SMD**



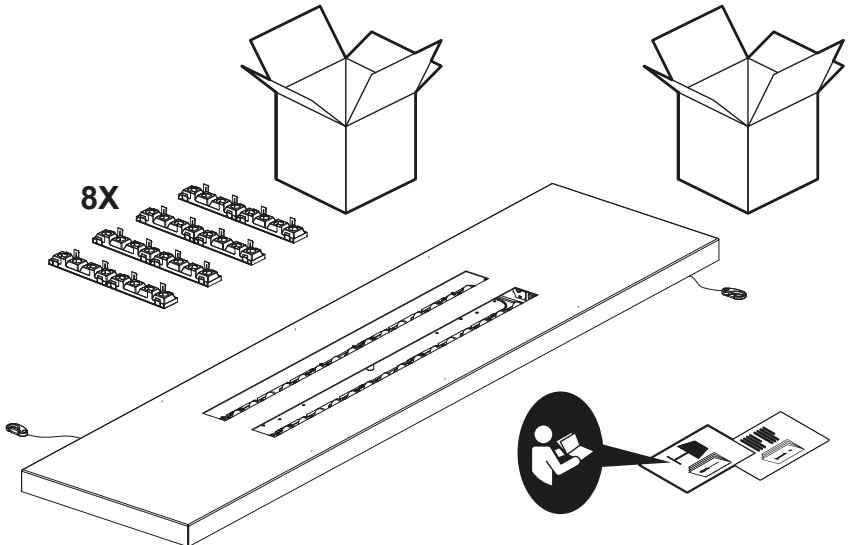
**Artemide**  
INTEGRALIS

**ONLY FOR CD1031XXIN0**



**B**

**A.39 1200x300 SMD**

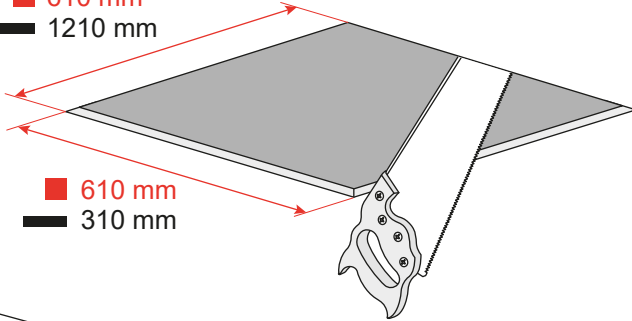


**Artemide**  
INTEGRALIS

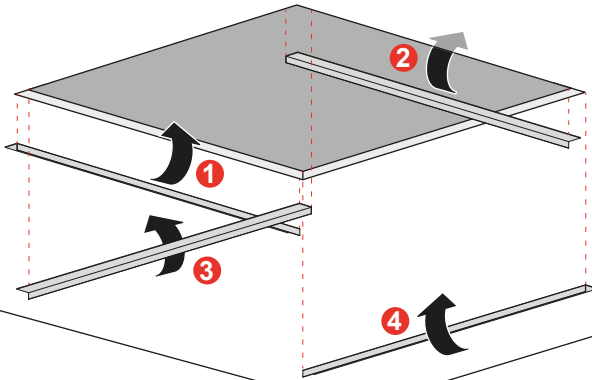
**ONLY FOR CD1131XXIN0**

1

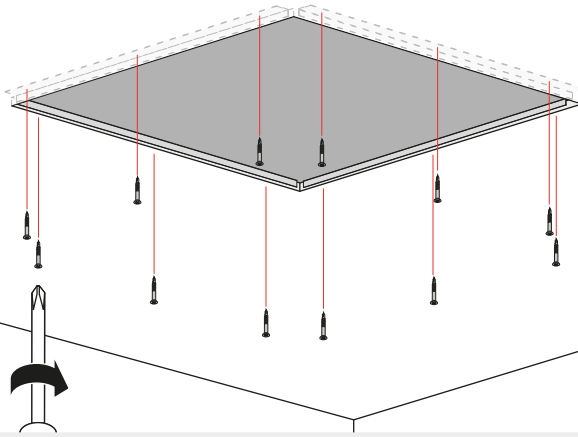
■ 610 mm  
■ 1210 mm



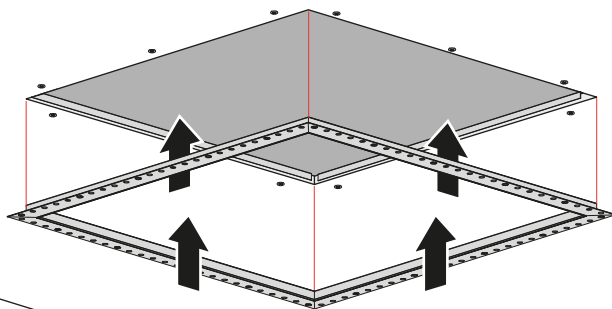
2



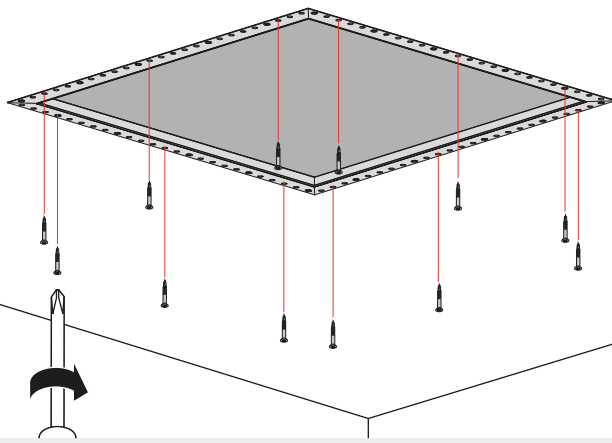
3



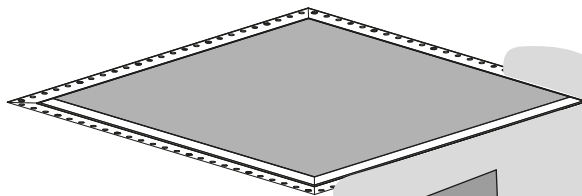
4



5



6

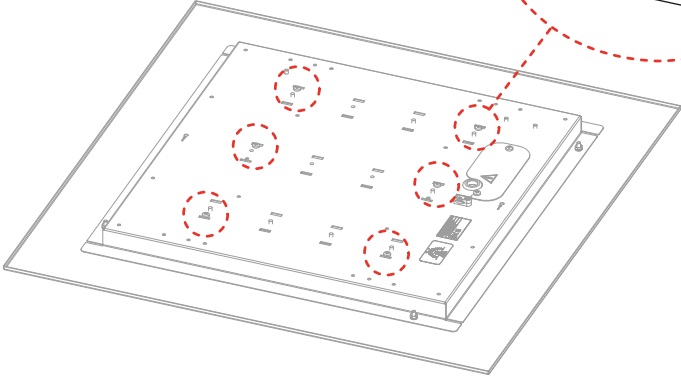
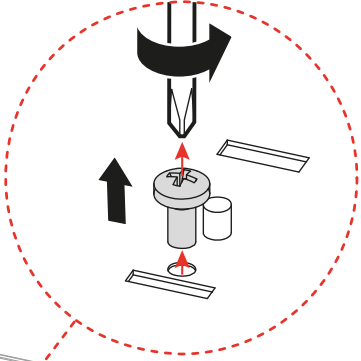


1 → 6

operations not required for modular ceilings  
operazioni non necessarie per controsoffitti modulari  
opérations non nécessaires pour les plafonds modulaires  
operaciones no necesarias para los techos modulares  
für modulare Decken nicht erforderliche Maßnahmen

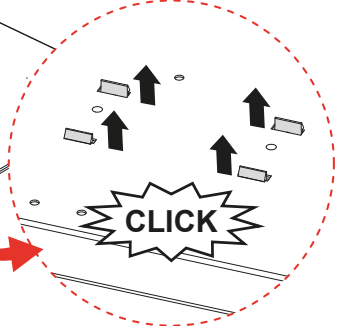
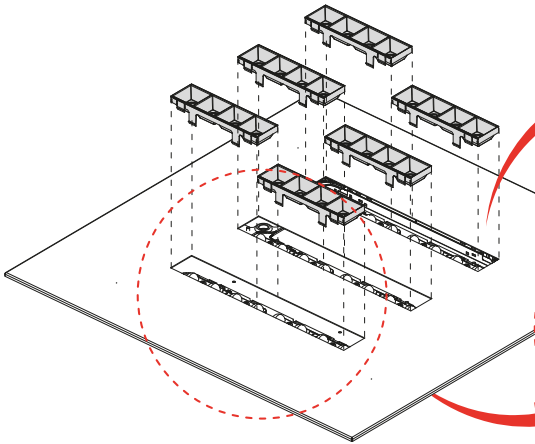
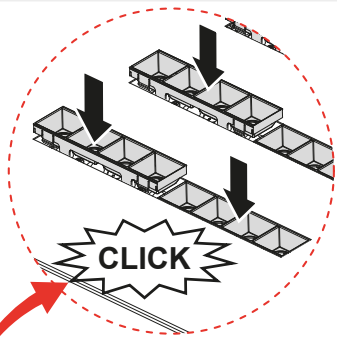
7

■ 6x  
■ 8x



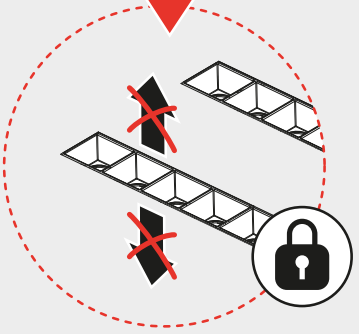
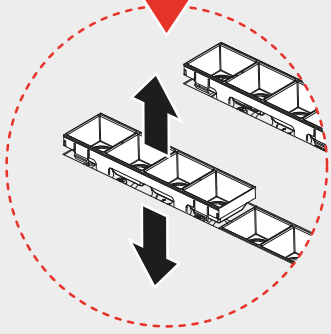
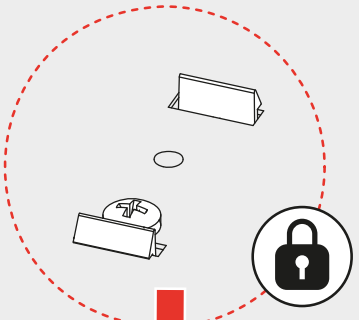
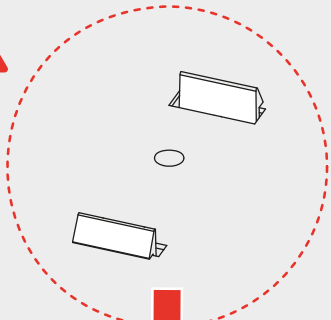
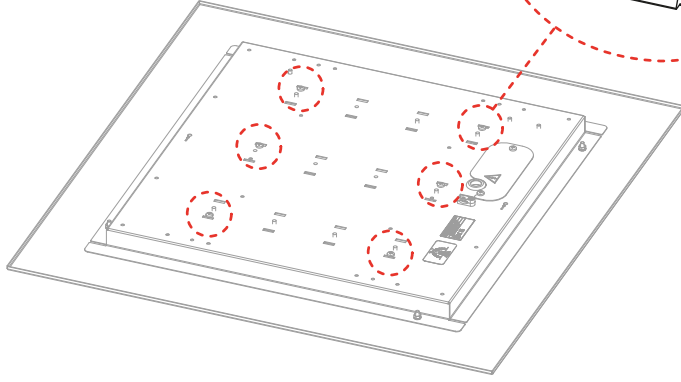
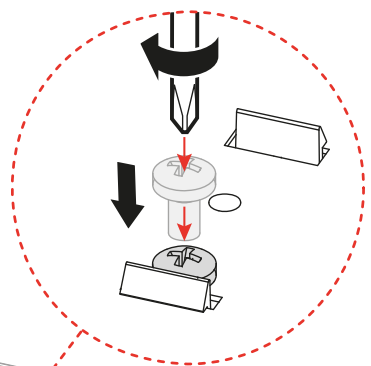
8

■ 6x  
■ 8x

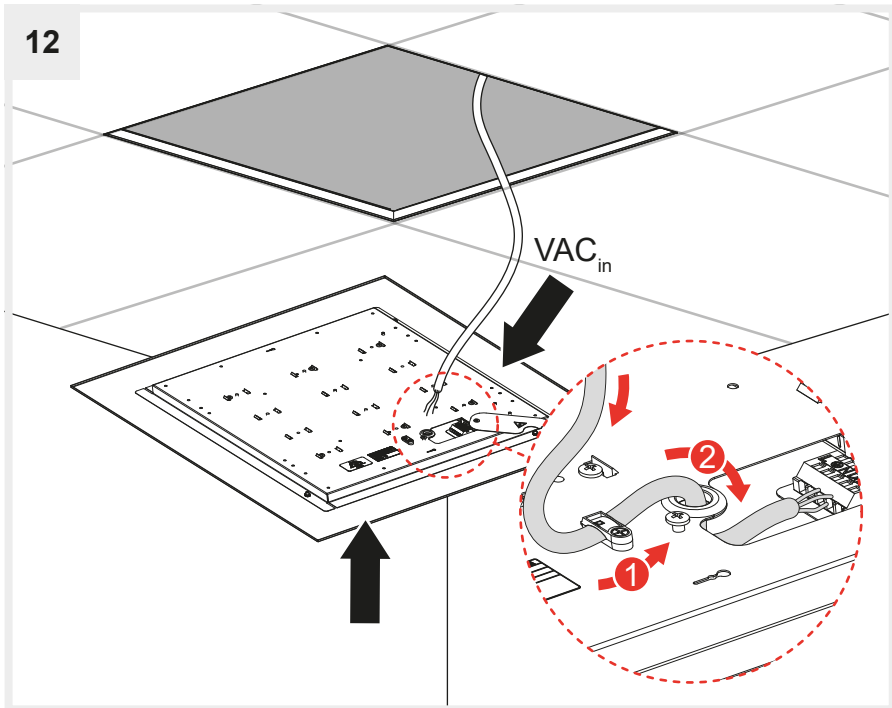
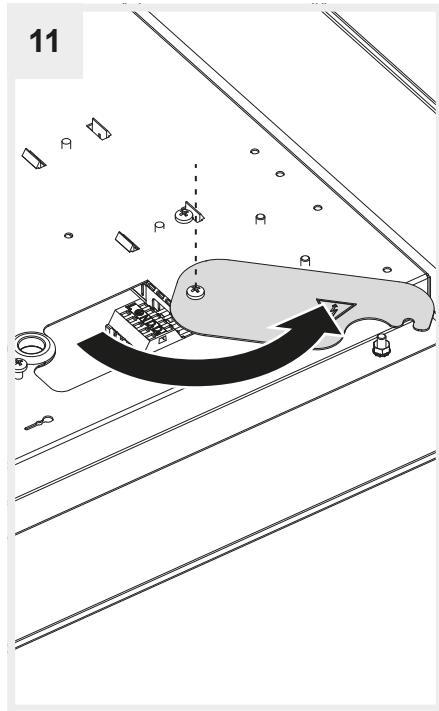
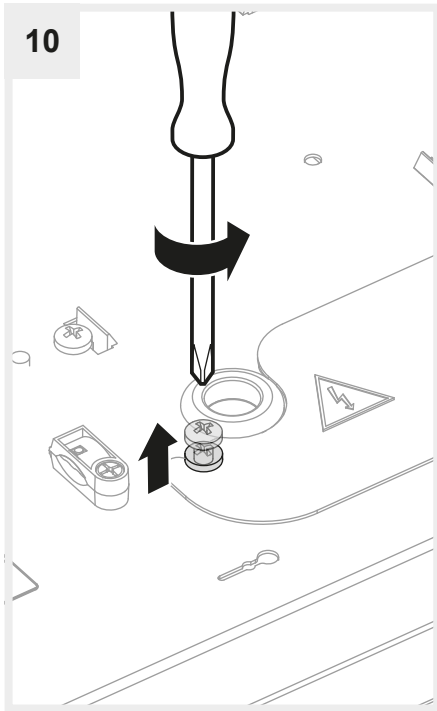


9

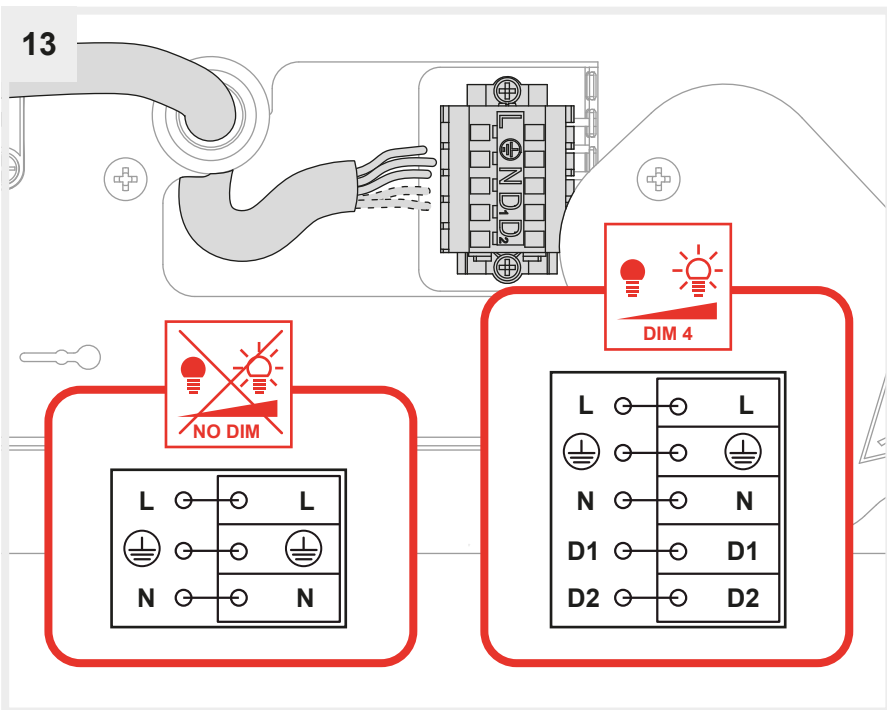
■ 6x  
■ 8x



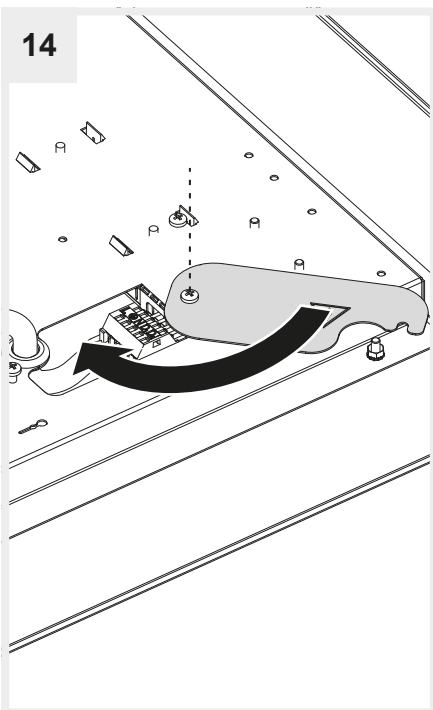




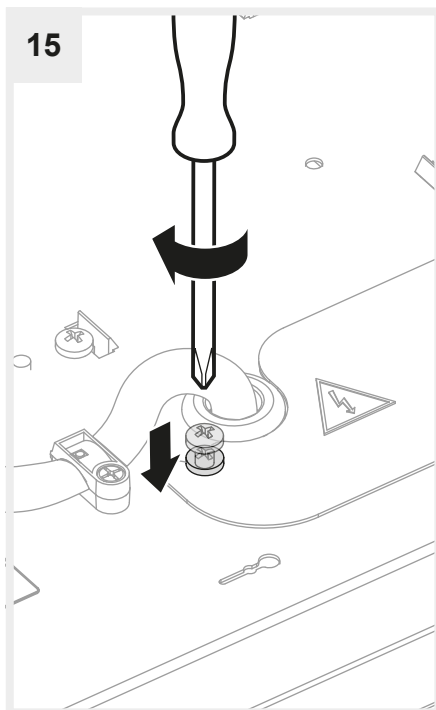
13



14

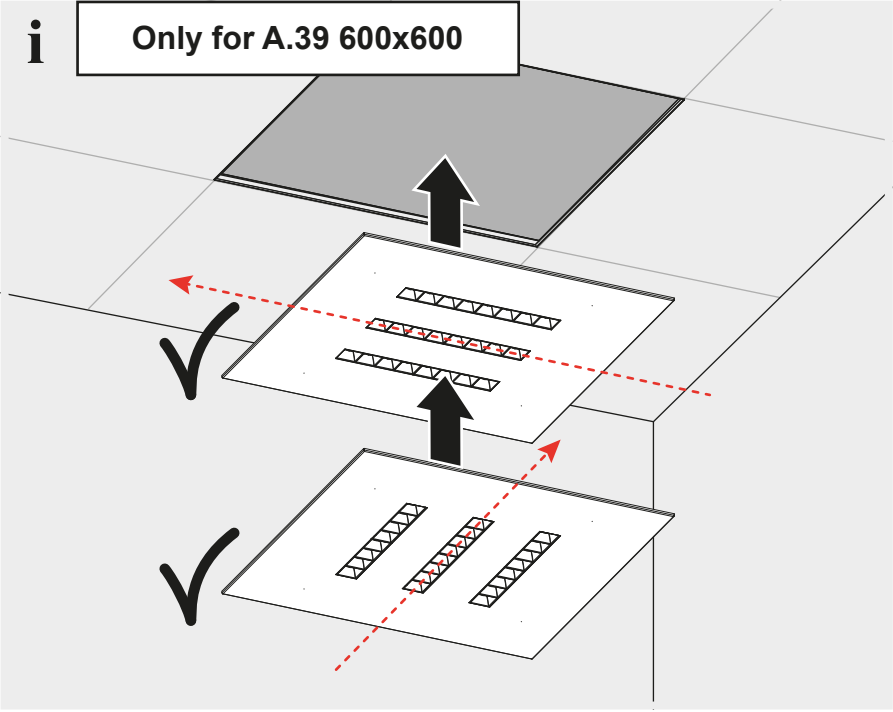


15

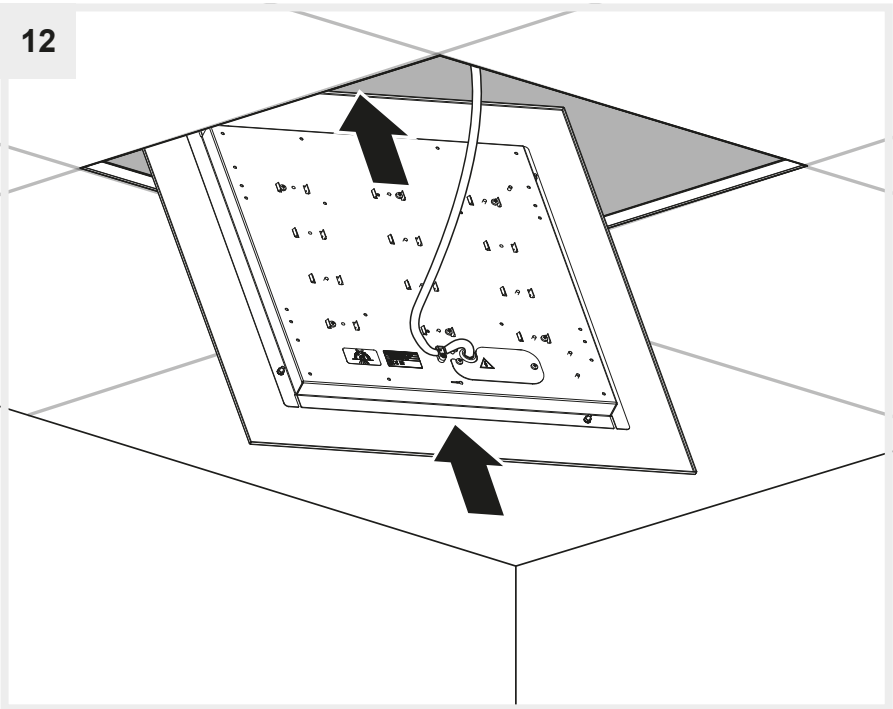


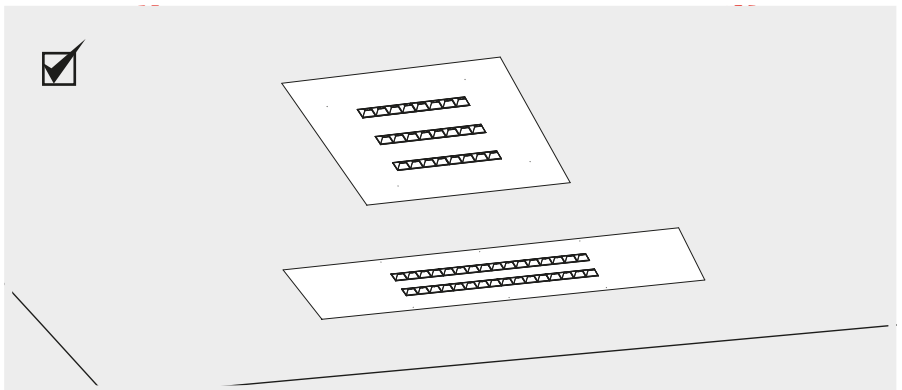
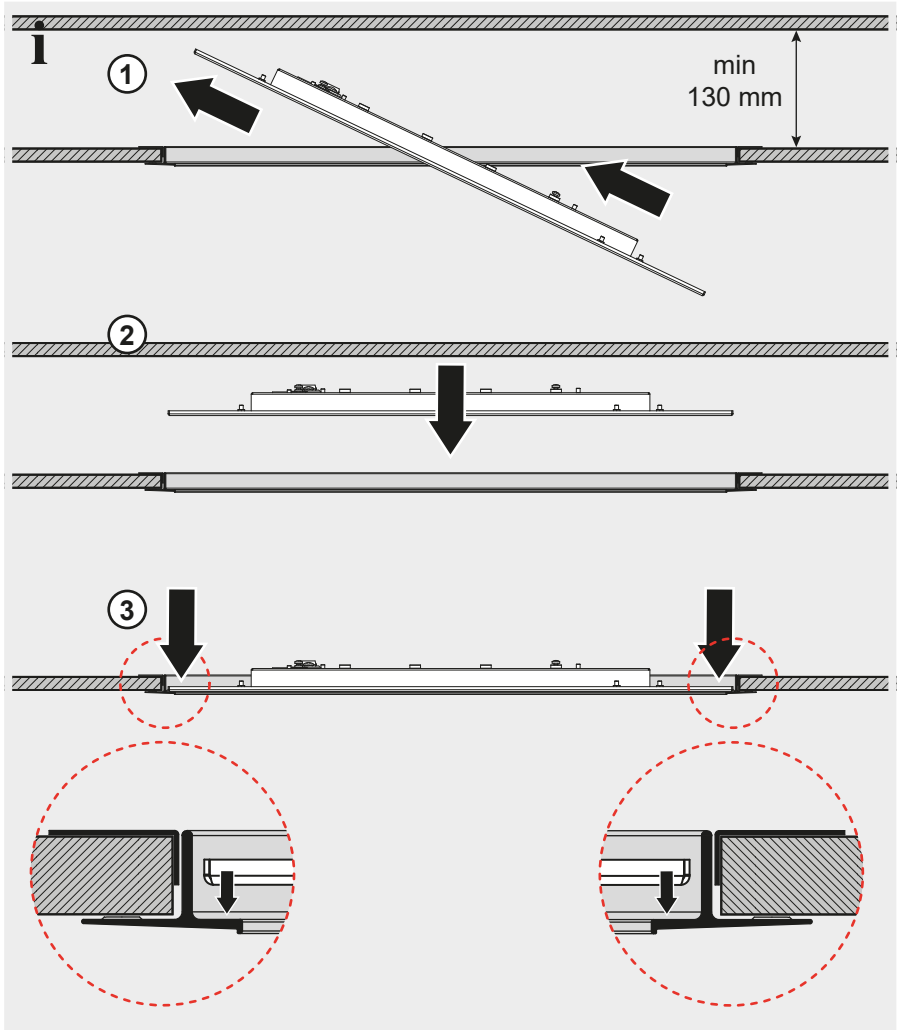
**i**

**Only for A.39 600x600**

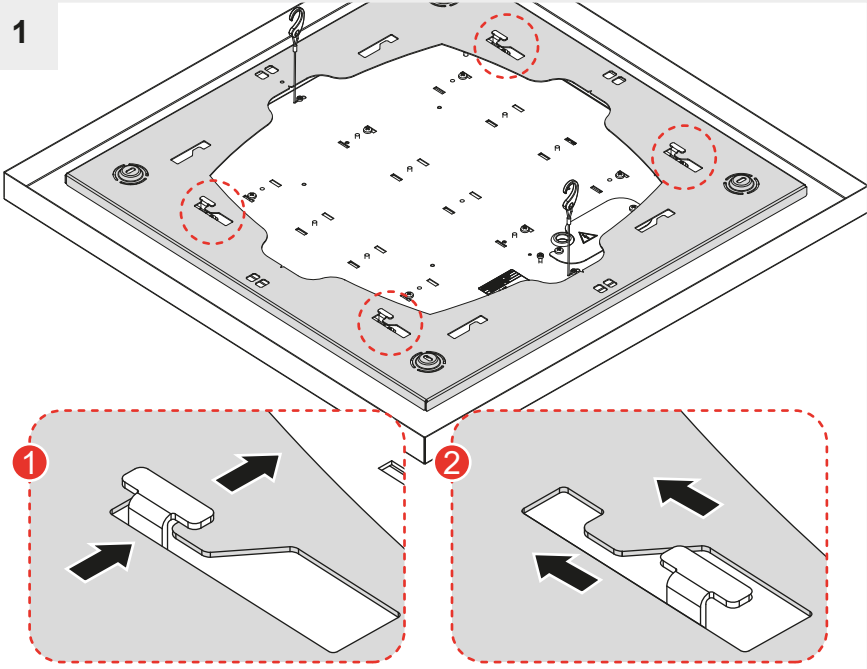


**12**

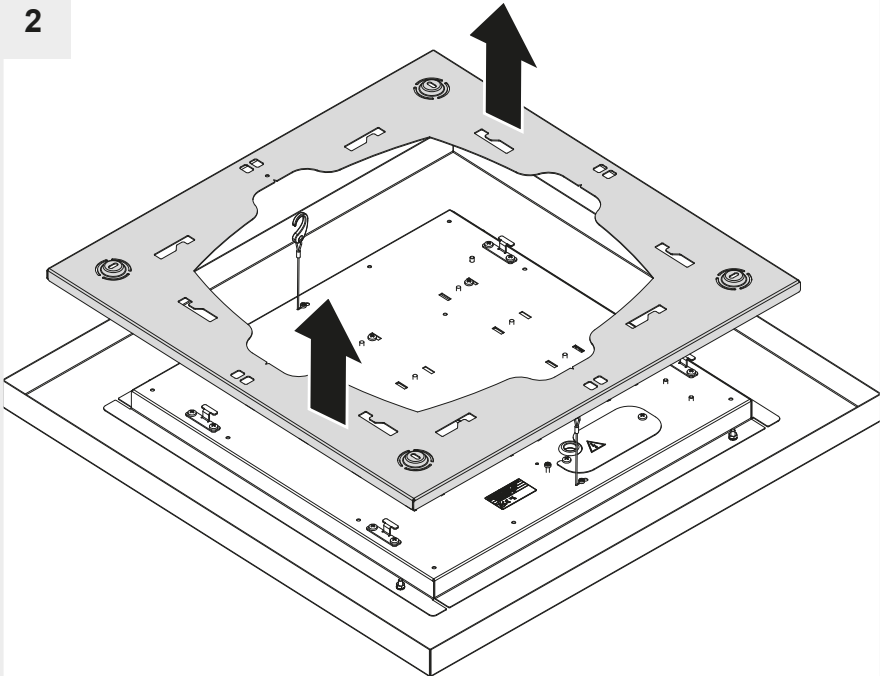


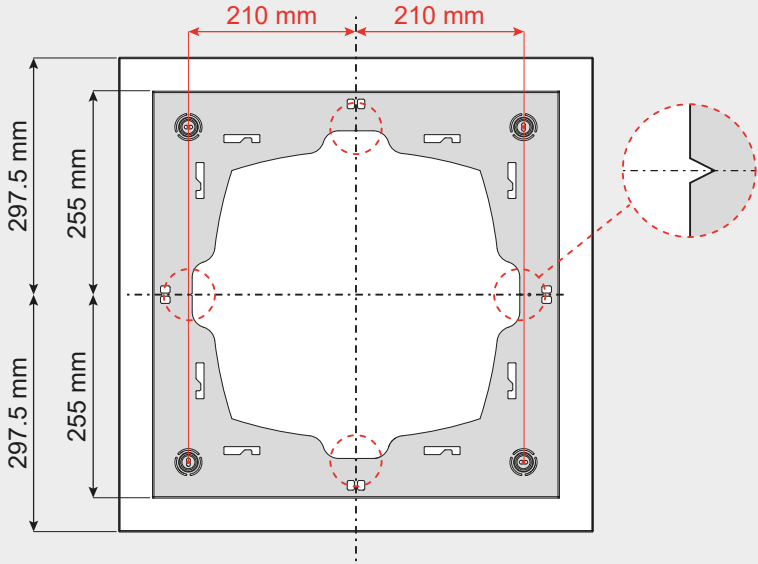
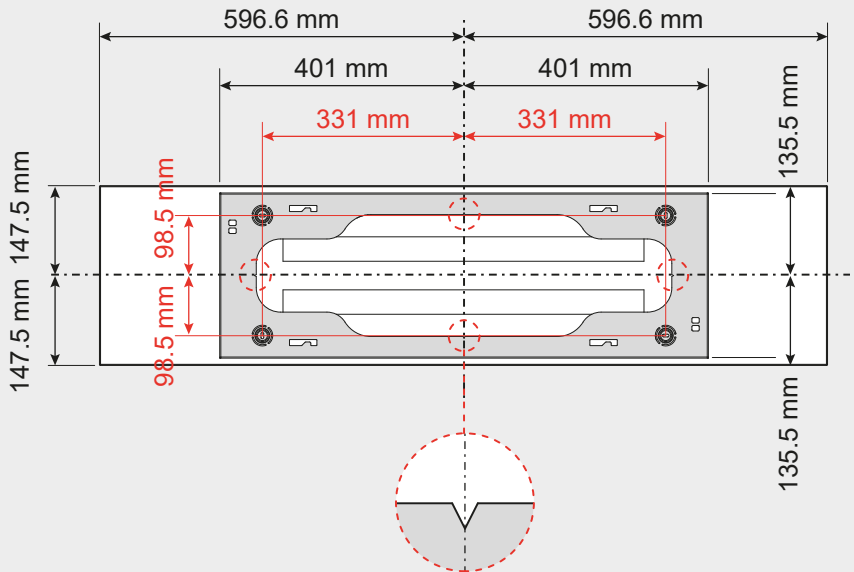


1

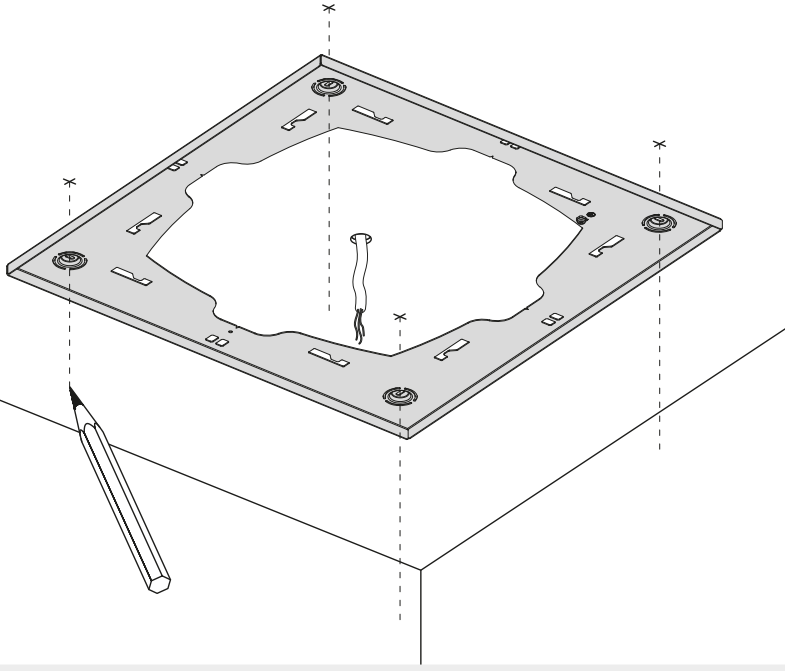


2

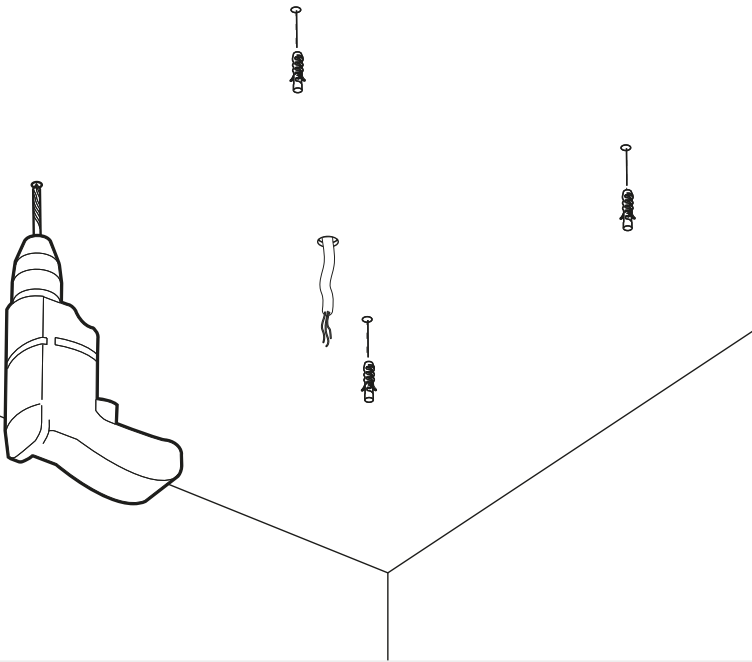


**i****Only for A.39 600x600****i****Only for A.39 1200x300**

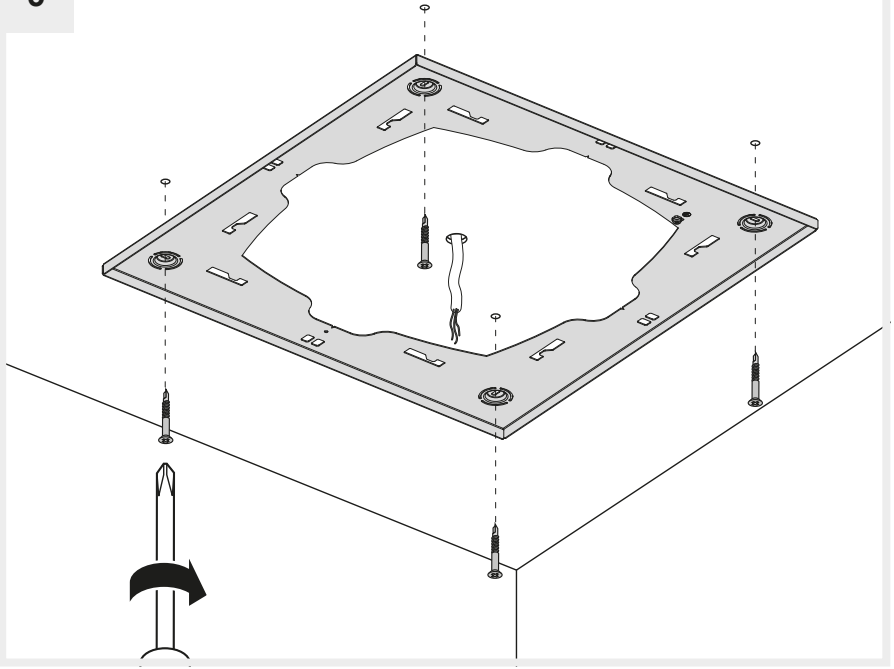
3



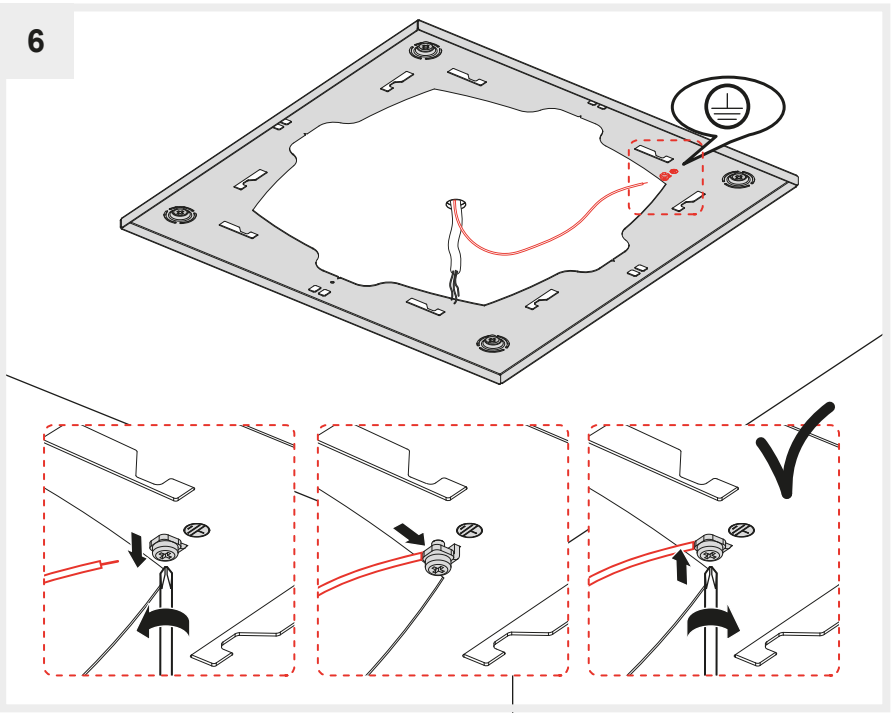
4



5



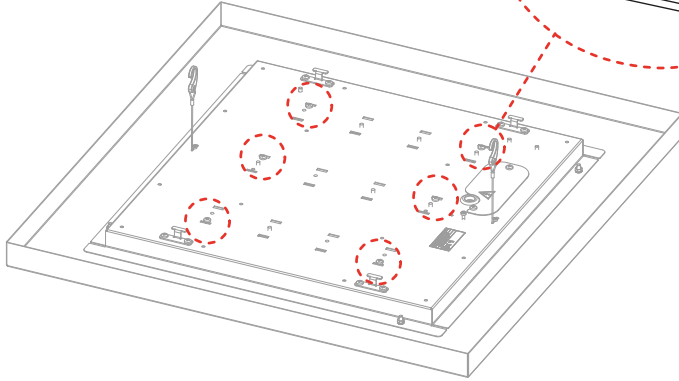
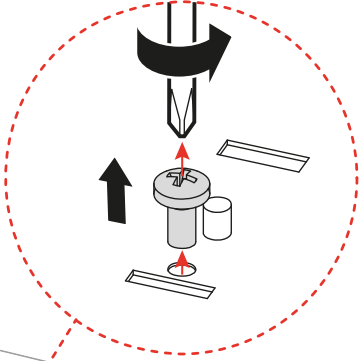
6





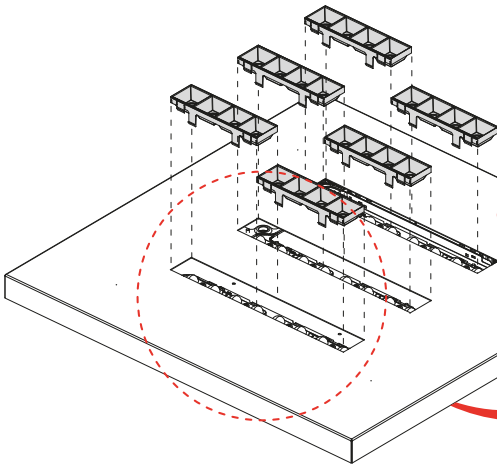
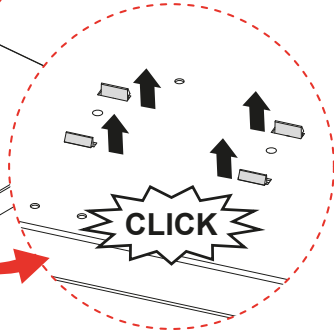
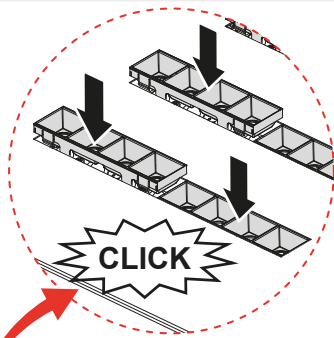
7

■ 6x  
■ 8x



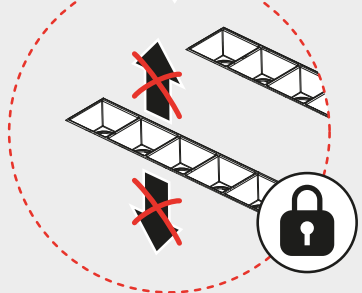
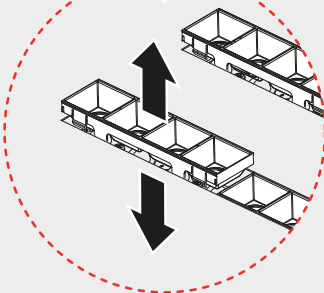
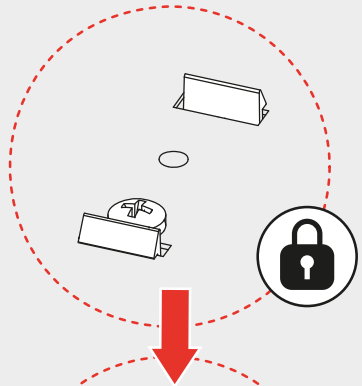
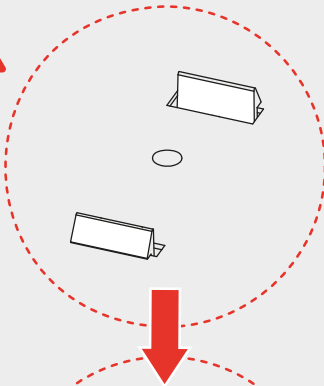
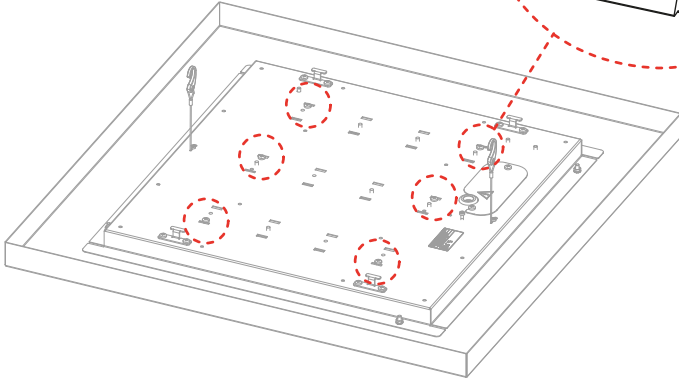
8

■ 6x  
■ 8x

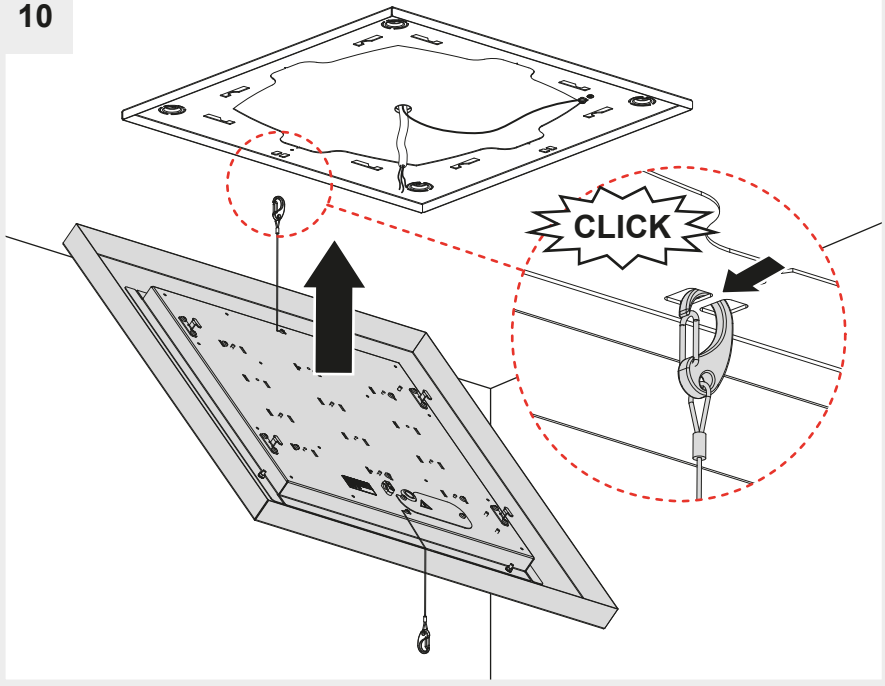


9

■ 6x  
■ 8x

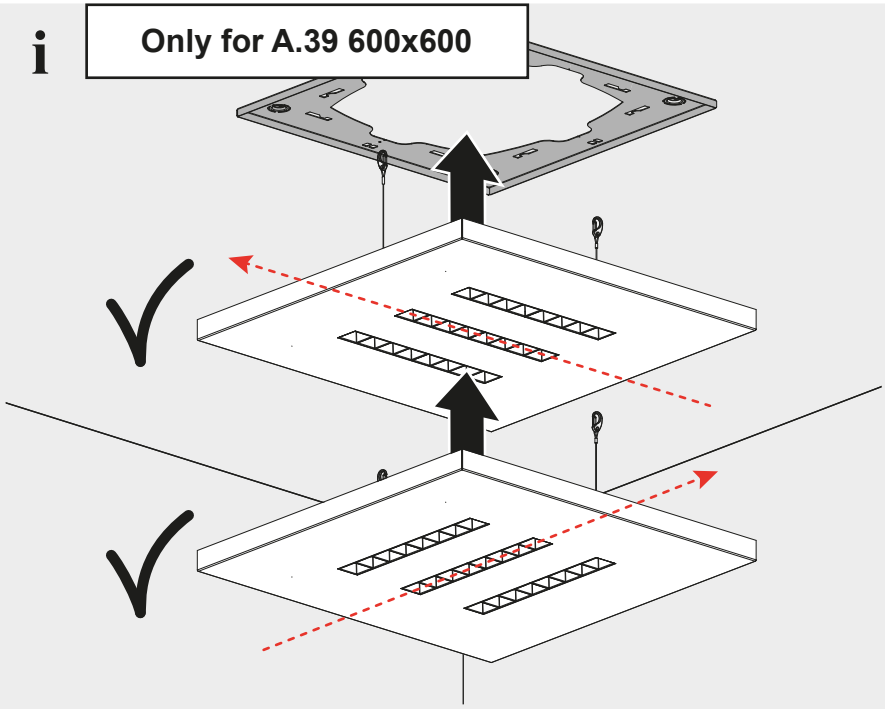


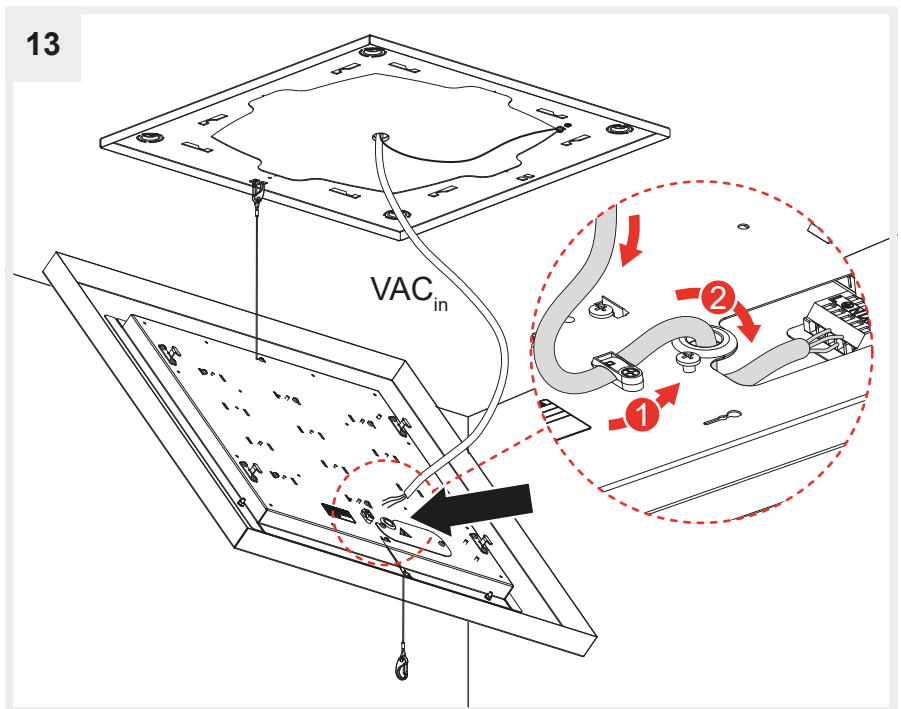
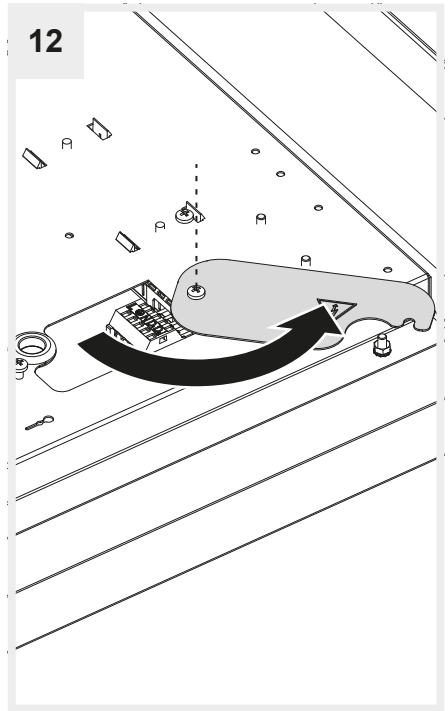
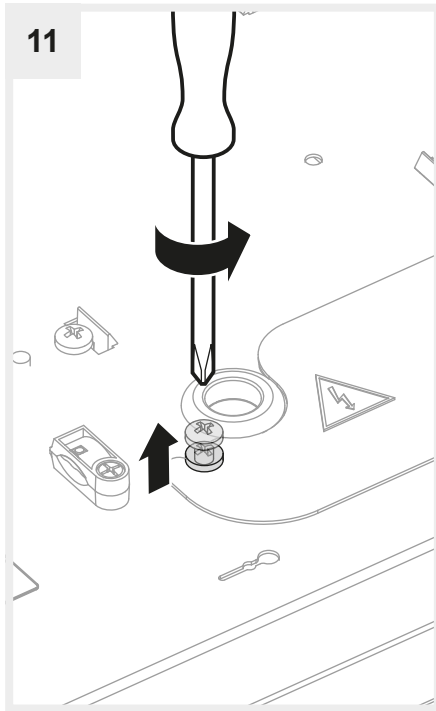
10



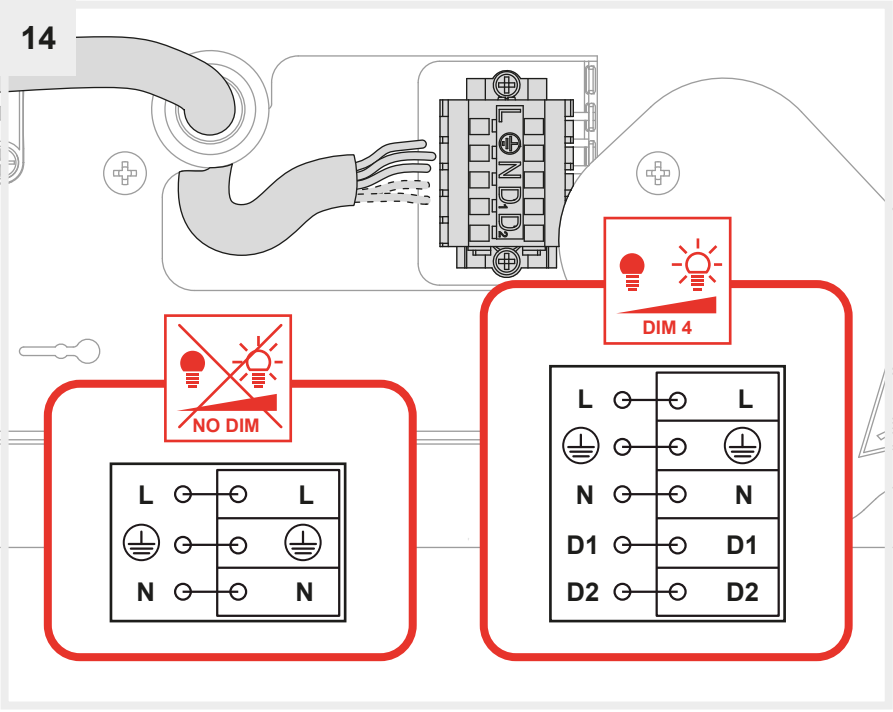
**i**

Only for A.39 600x600

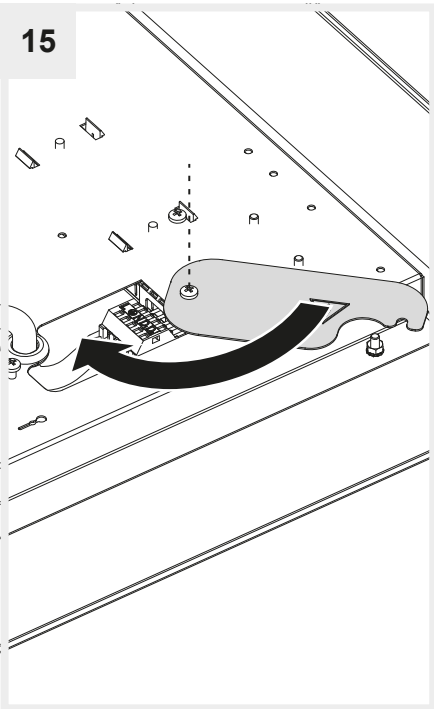




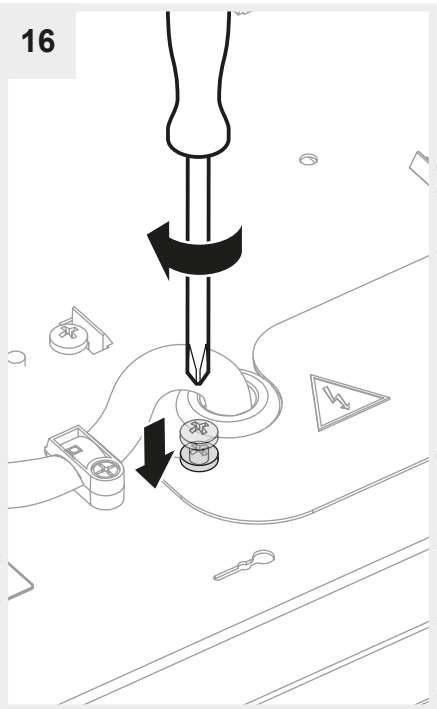
14



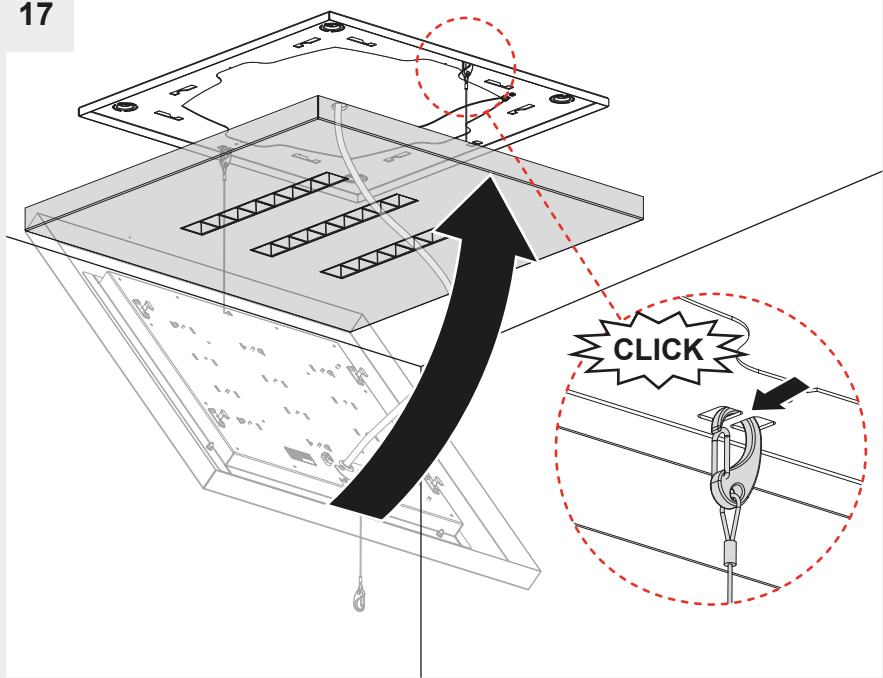
15



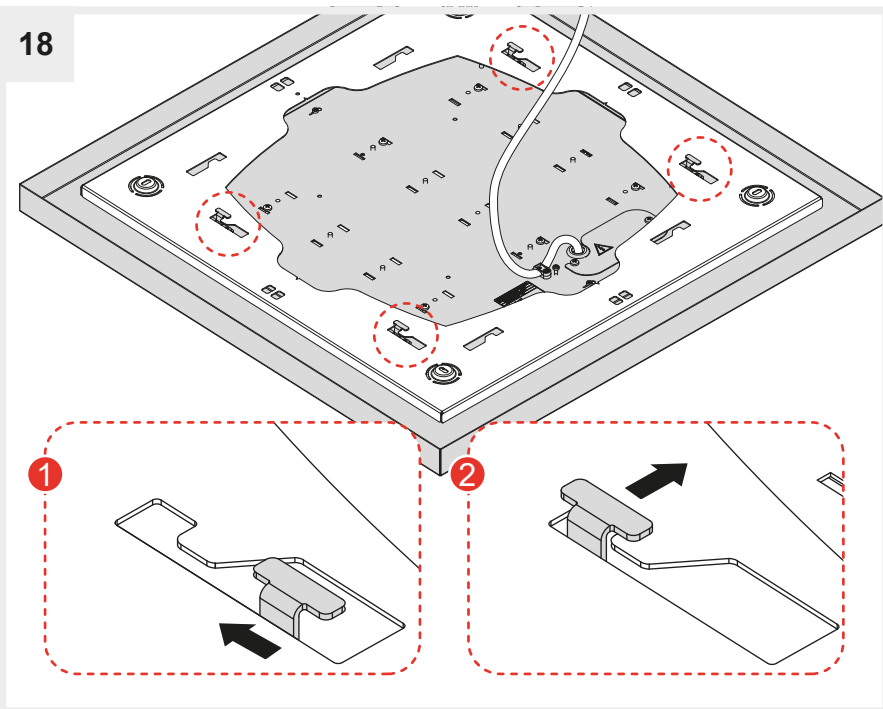
16

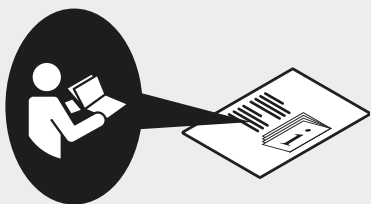
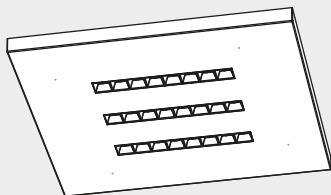
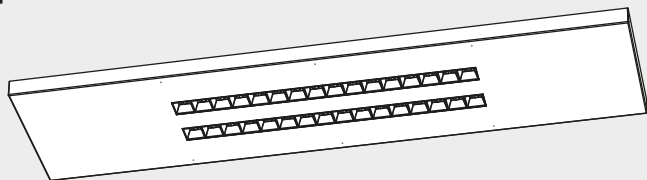


17



18





**Artemide®**



**Artemide**

via Bergamo, 18  
20006 Pregnana M.se (MI)  
ITALIA

tel. +39 02 935 181  
fax +39 02 935 90 254  
fax +39 02 935 90 496

[www.artemide.com](http://www.artemide.com)

VAT IT00846890150

cod. Y513001631