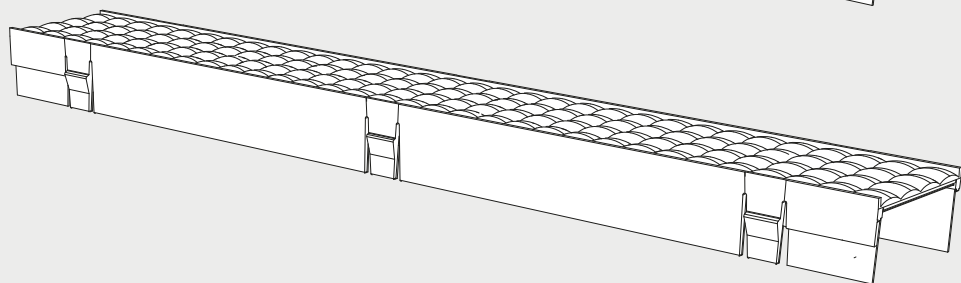
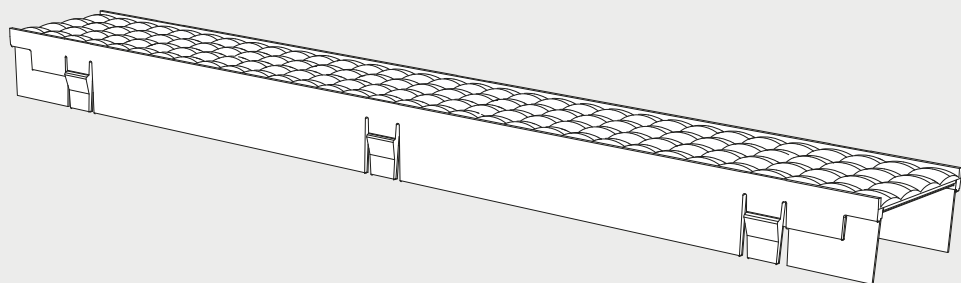


A.39 / Algoritmo Controlled Emission

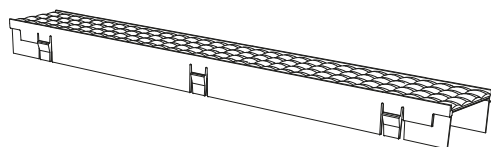
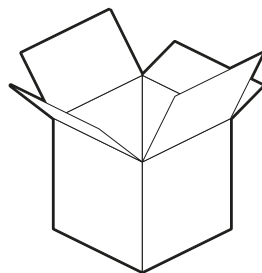
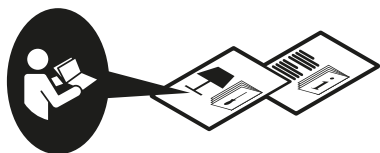
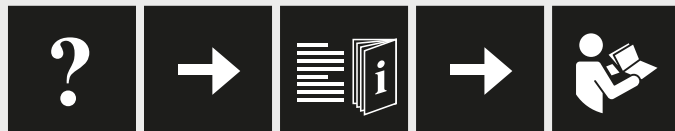
design

Carlotta de Bevilacqua

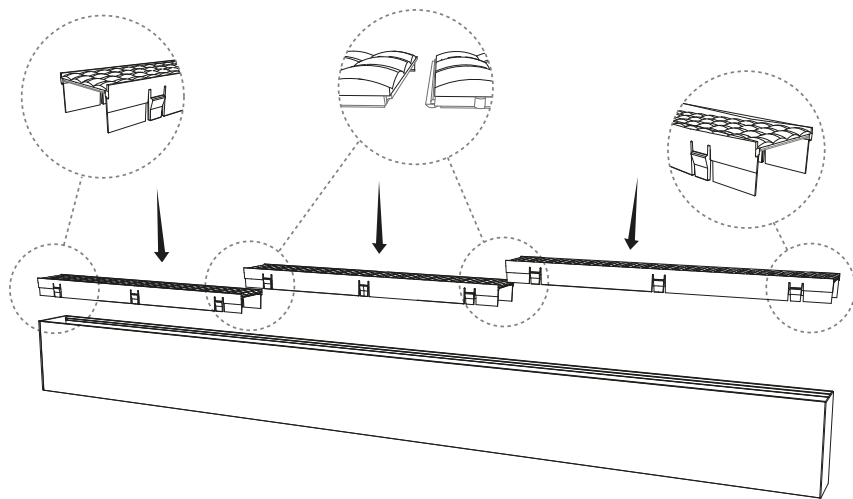
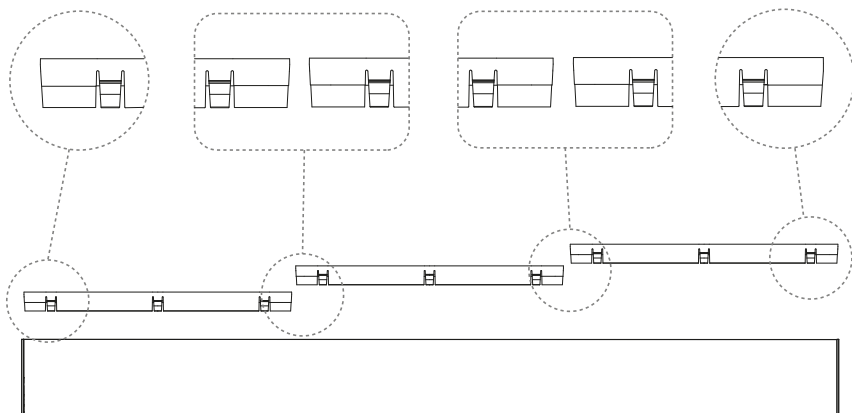




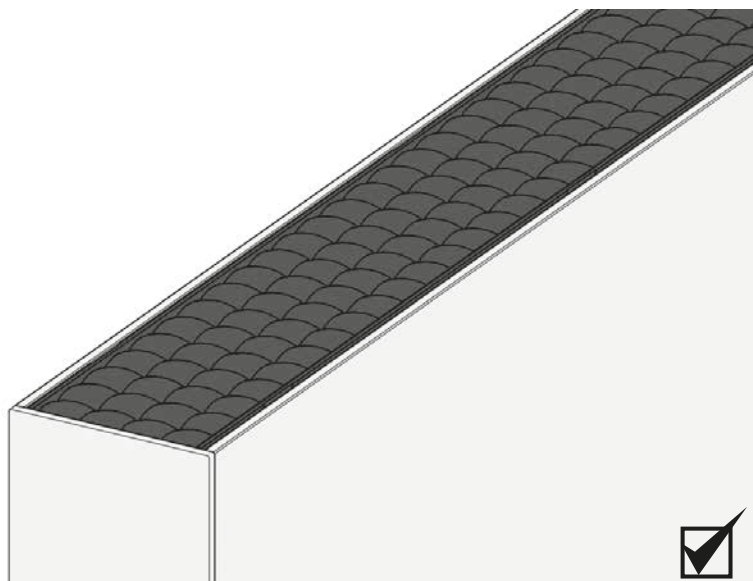
i



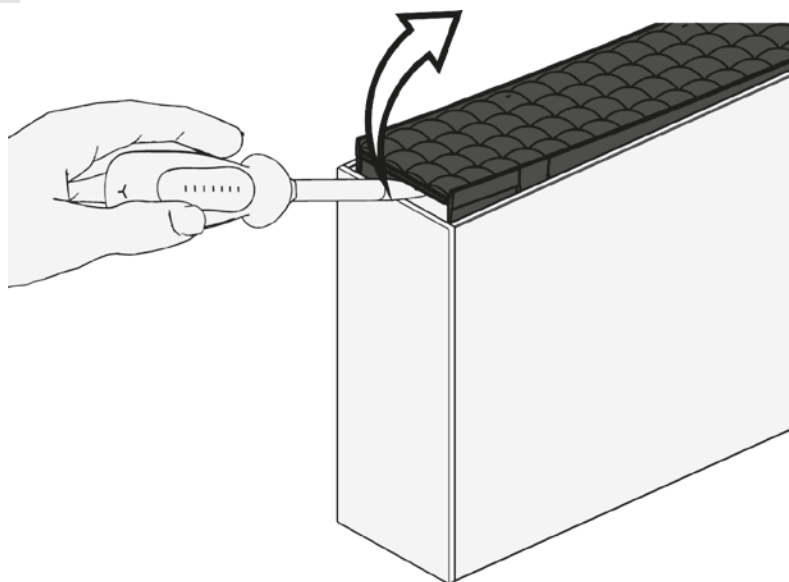
Algoritmo Controlled Emission



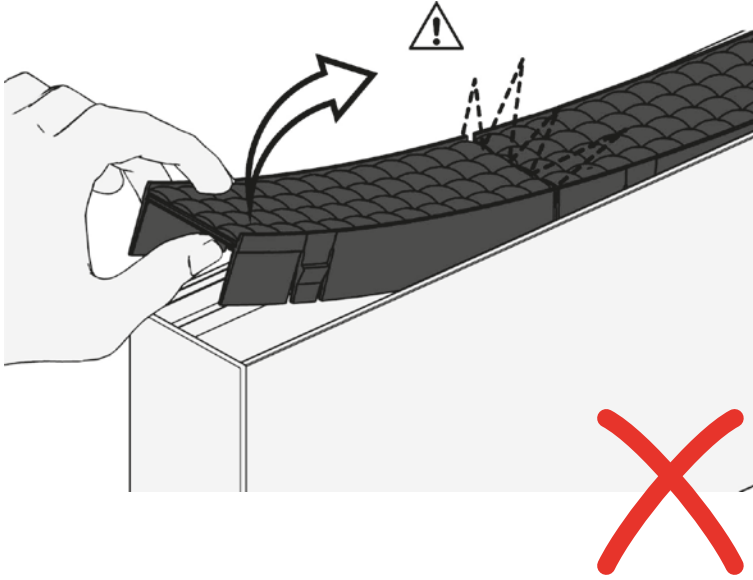
1



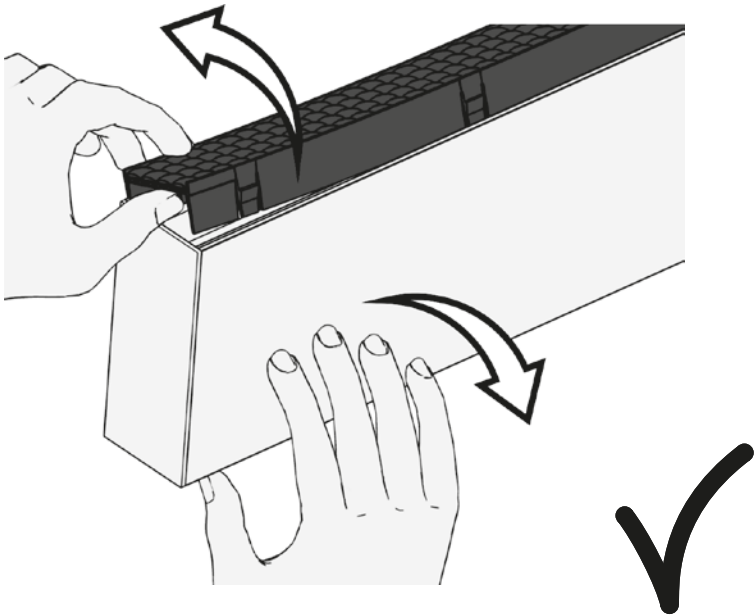
2



3

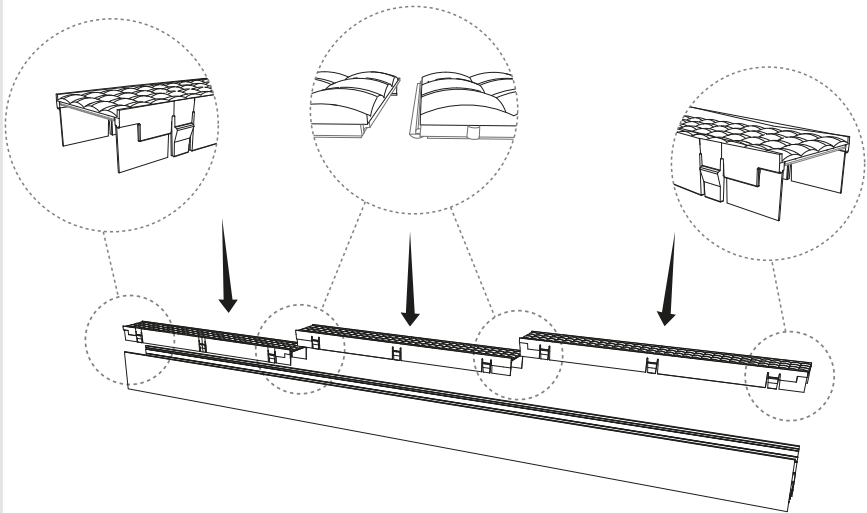
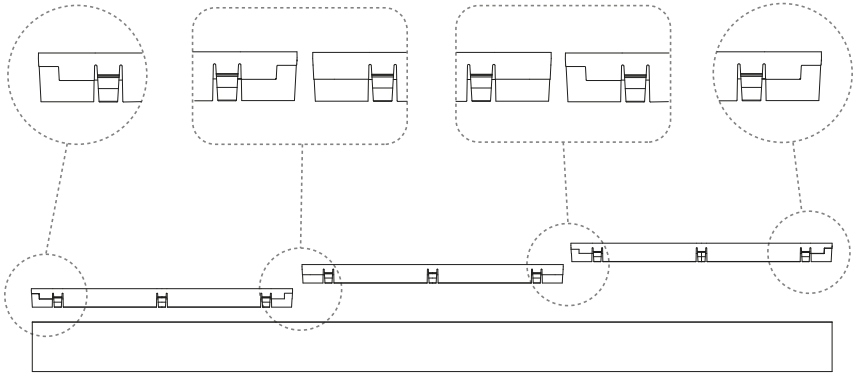


4

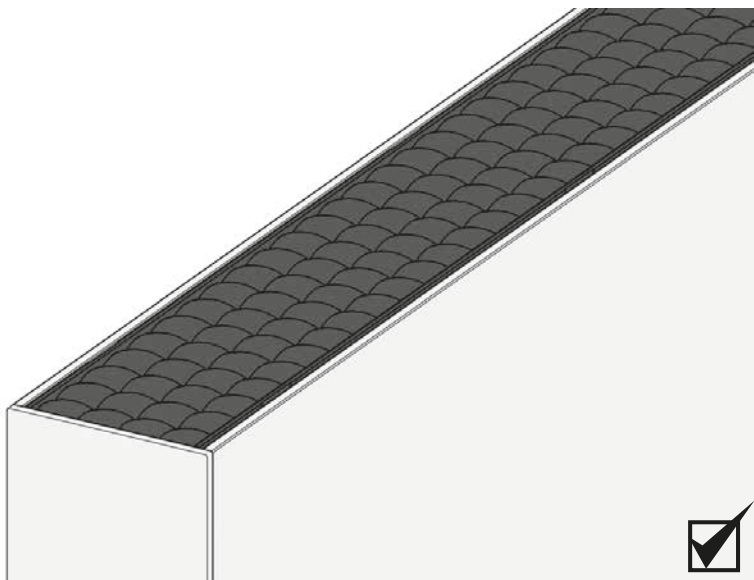




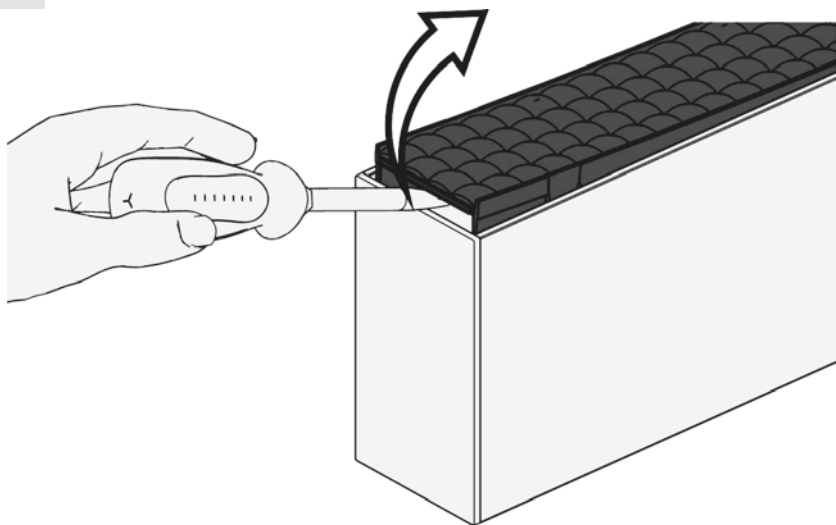
A.39 Controlled Emission



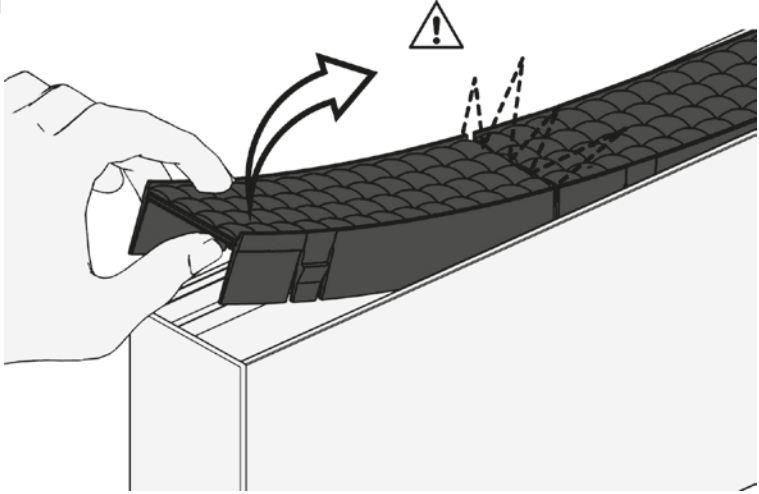
1



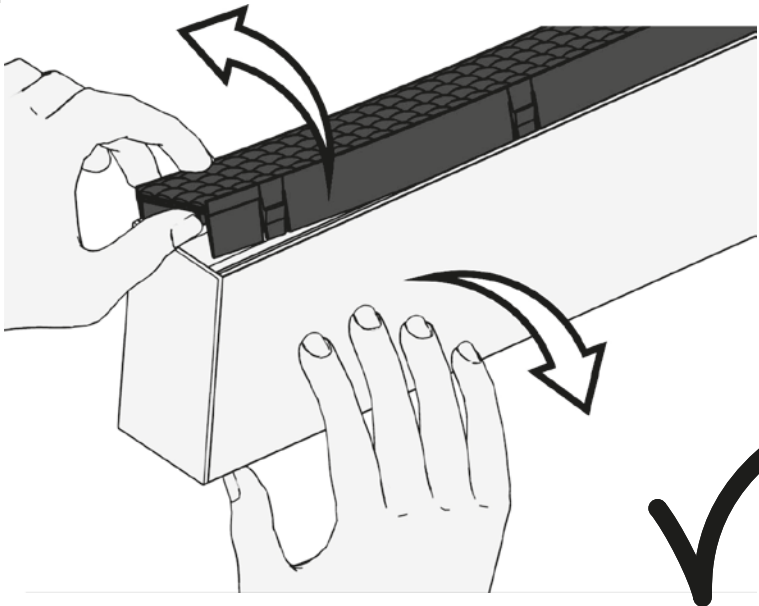
2

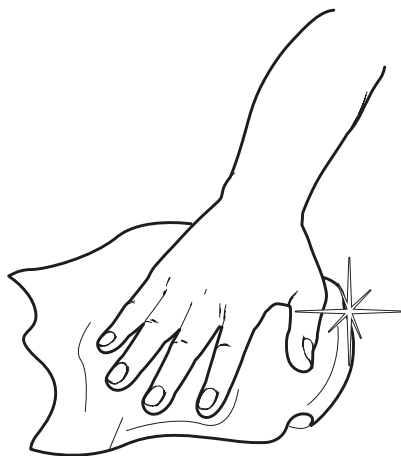
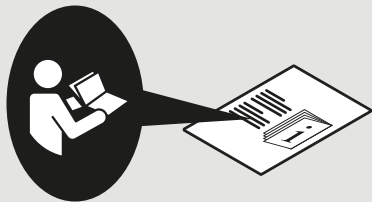


3



4





Artemide®



Artemide

via Bergamo, 18
20006 Pregnana M.se (MI)
ITALIA

tel. +39 02 935 181
fax +39 02 935 90 254
fax +39 02 935 90 496

www.artemide.com

VAT IT00846890150

cod. Y503300215C