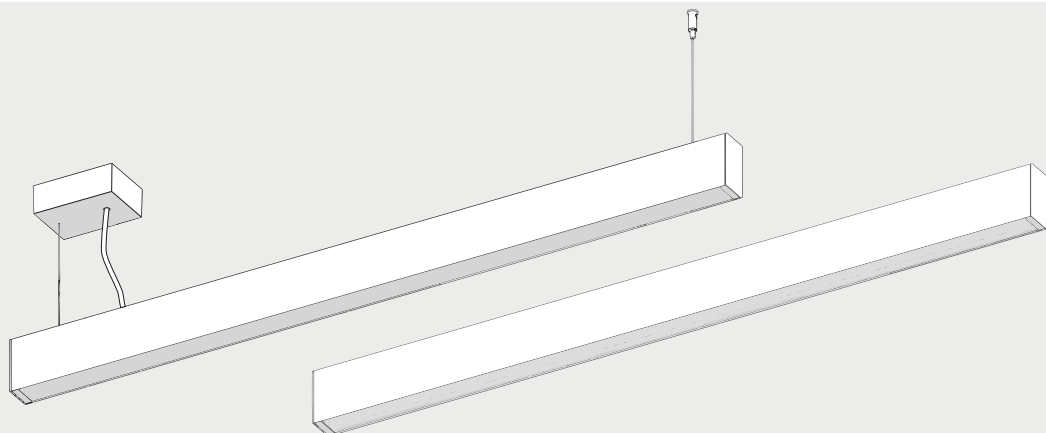


A.39 CEILING AND SUSPENSION

design
C. de Bevilacqua



TYPE	ND/DALI	LENGHT	POWER [W]	Inom [A]	Inrush current [A]	Inrush current time [msec]	driver peak current [mApk]
		1184	34	0.15	13	270	0.3
		1482	42	0.18	13	270	0.3
		2368	66	0.27	21	220	0.3
		2960	82	0.34	21	220	0.3
		1184	34	0.14	26	140	0.4
		1482	42	0.17	26	140	0.4
		2368	66	0.26	24,9	215	0.4
		2960	82	0.33	24,9	215	0.4
		1184	57	0.24	13	270	0.3
		1482	73	0.3	13	270	0.3
		2368	116	0.48	21	220	0.6
		2960	149	0.62	21	220	0.6
		1184	57	0.23	26	140	0.4
		1482	73	0.29	26	140	0.4
		2368	116	0.47	50	215	0.8
		2960	149	0.61	50	215	0.8

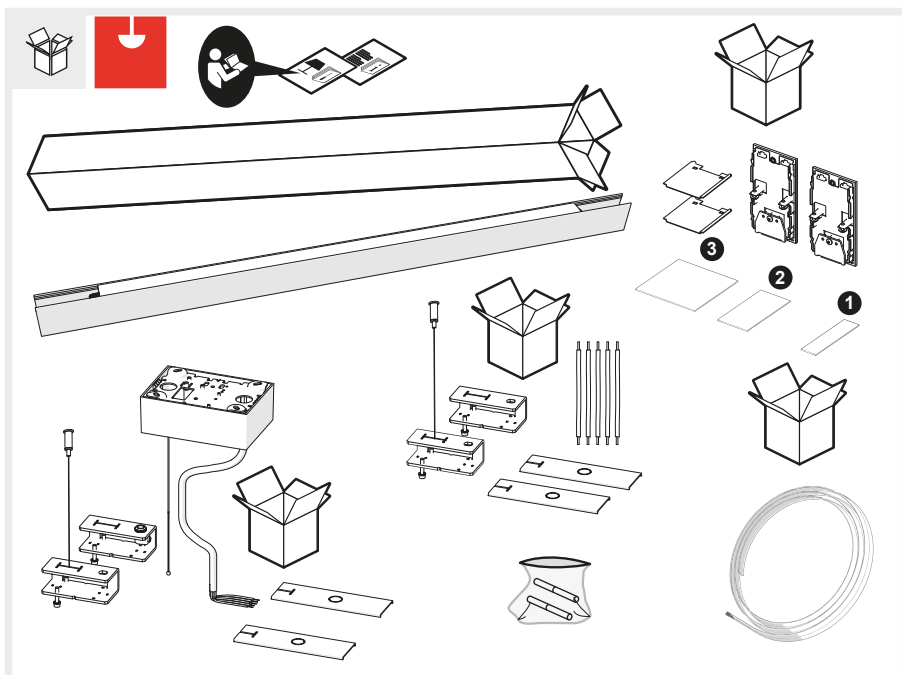





i

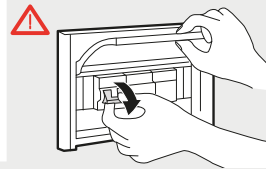
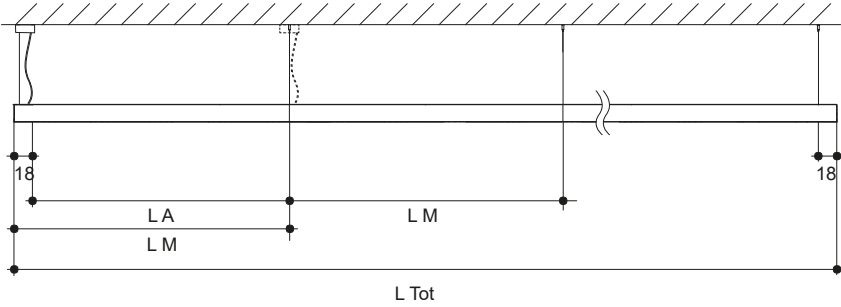
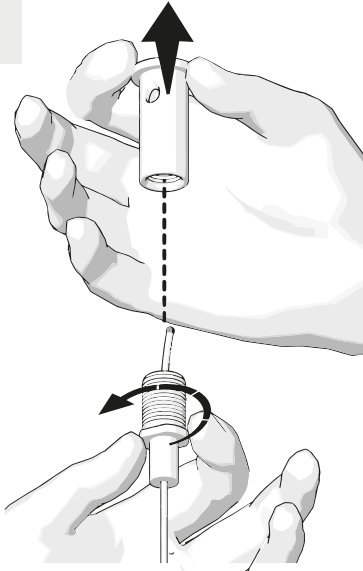
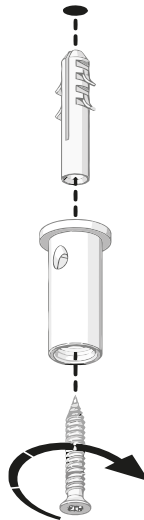


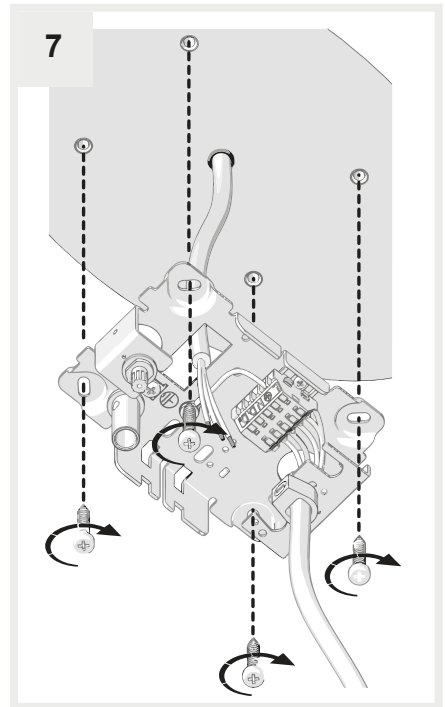
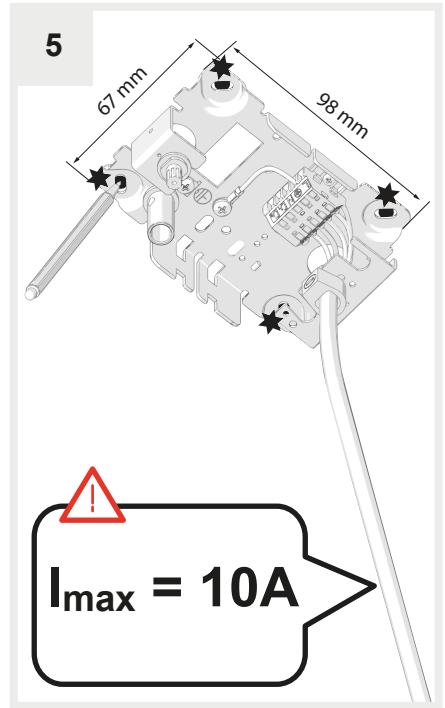
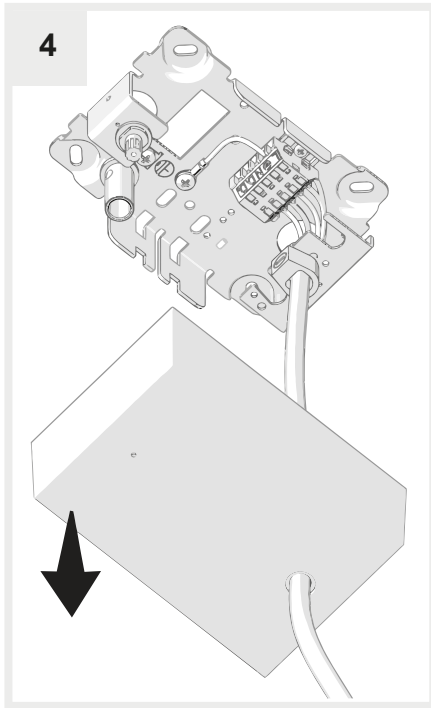
A. 39 SUSPENSION



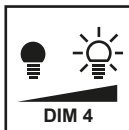
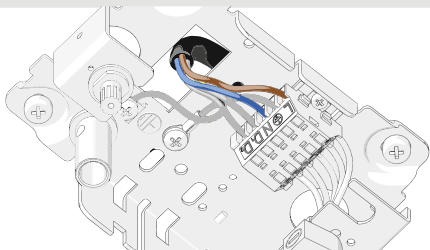
1

SUSPENSION WIRES LAYOUT		
LM [mm]	LA mm	 Kg
1184	LM-18 mm	2,3
1480		2,9
2368		4,4
2960		5,7

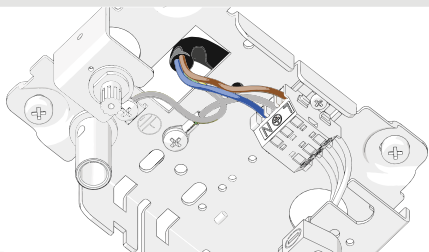
**2****3**



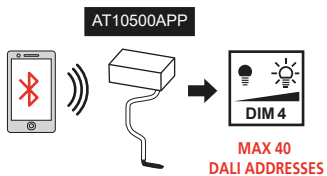
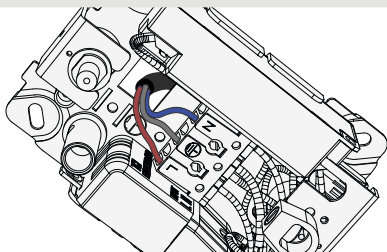
8a



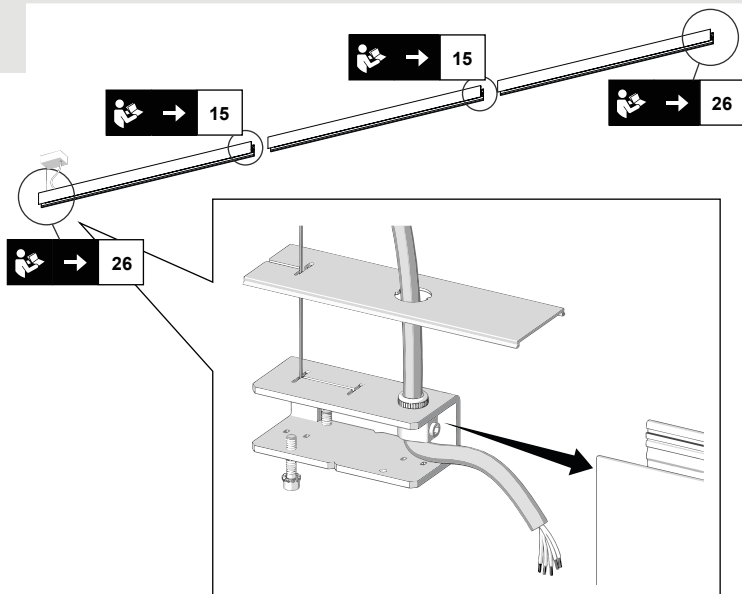
8b



8c

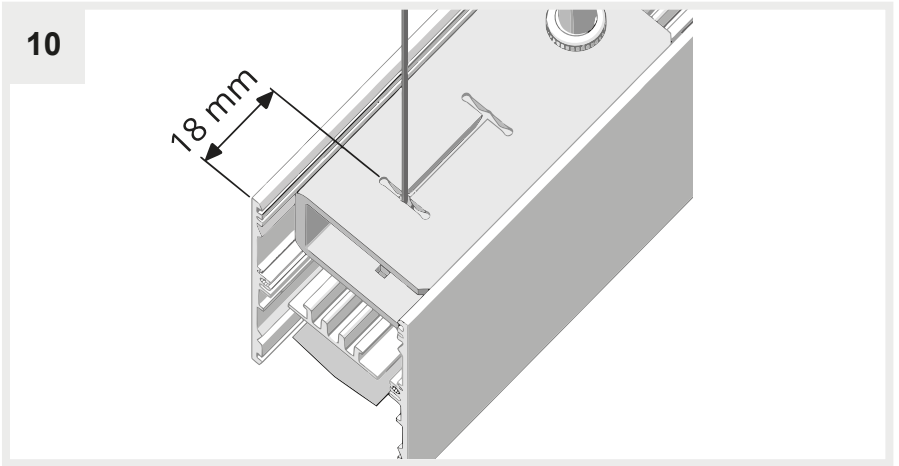


9

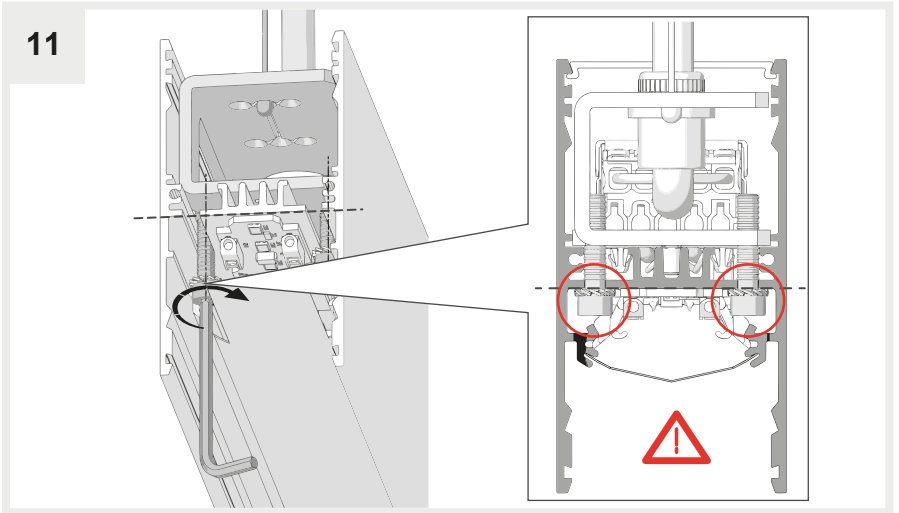


10

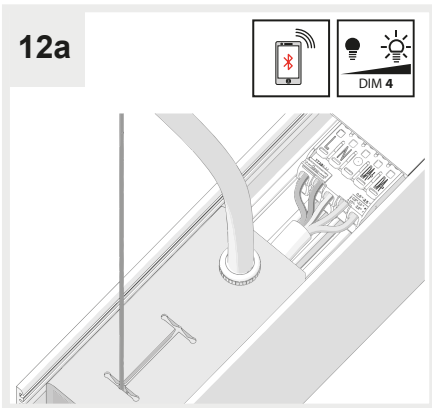
18 mm



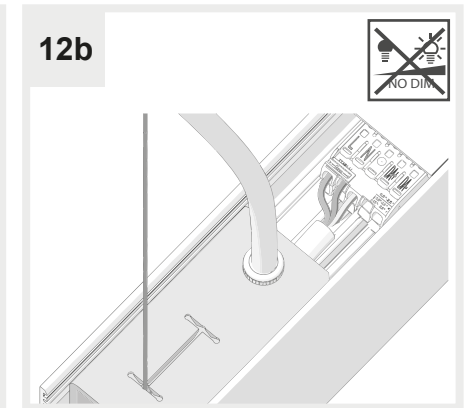
11



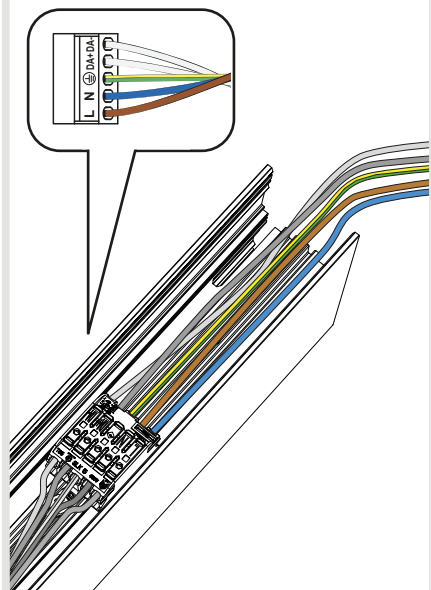
12a



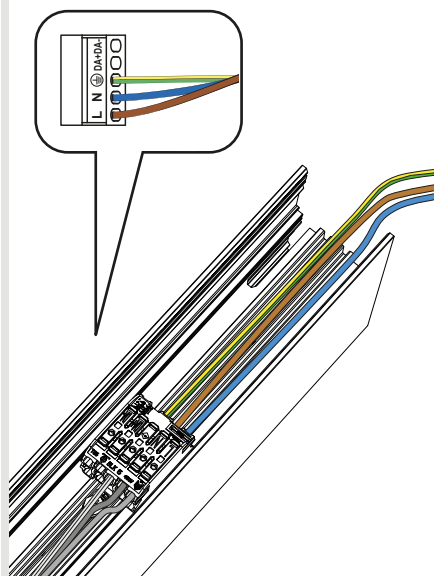
12b



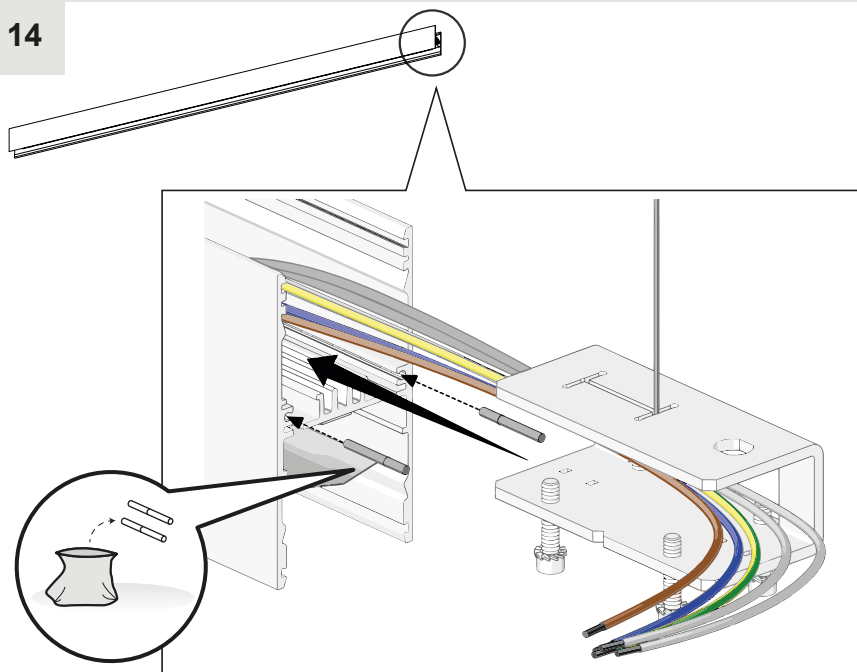
13a



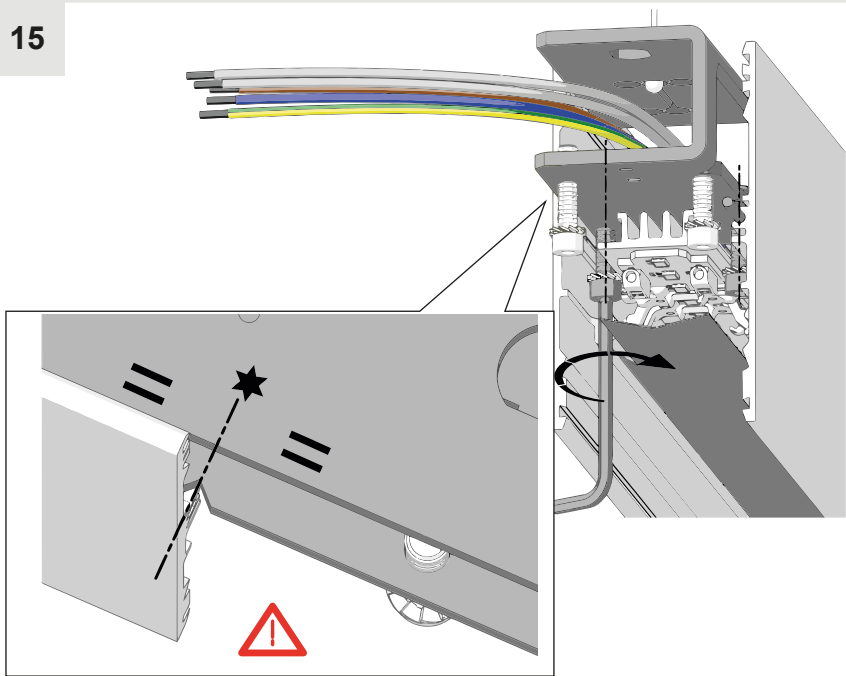
13b



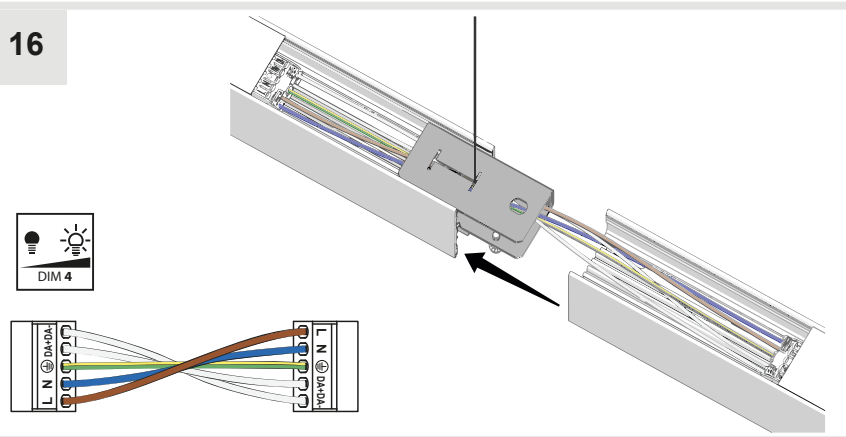
14



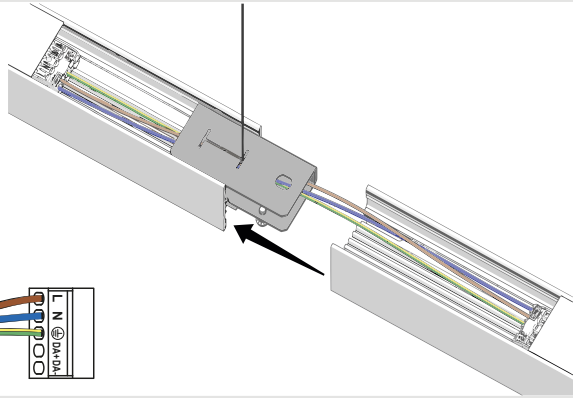
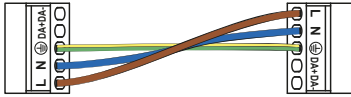
15



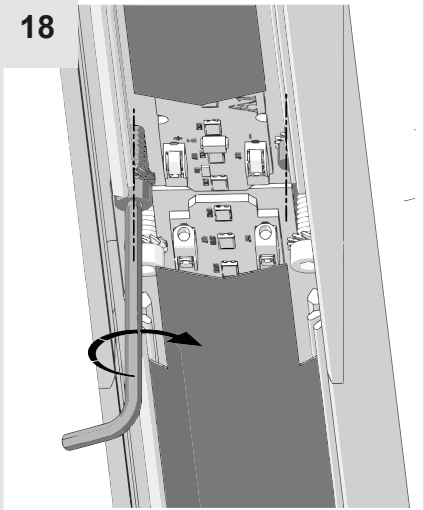
16



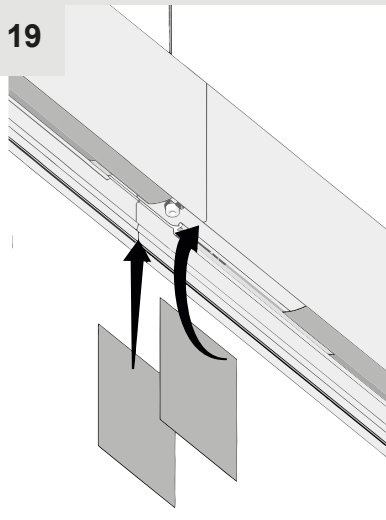
17



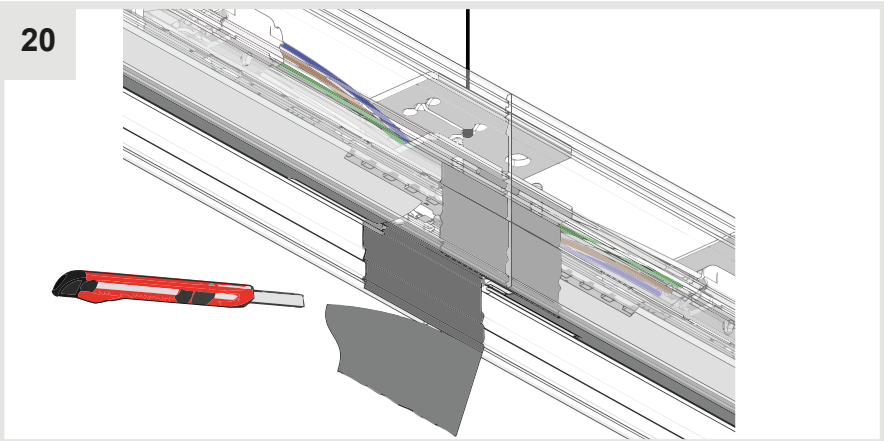
18



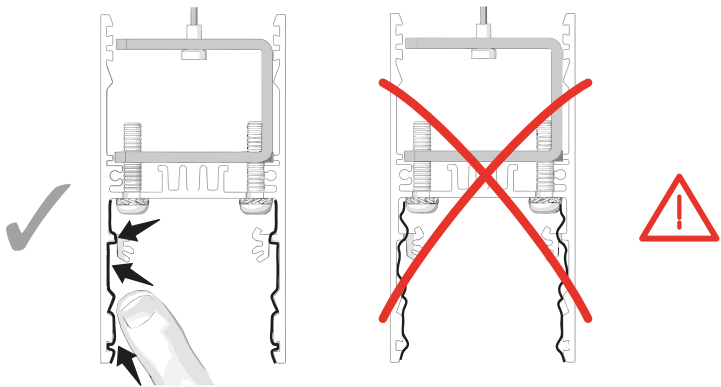
19



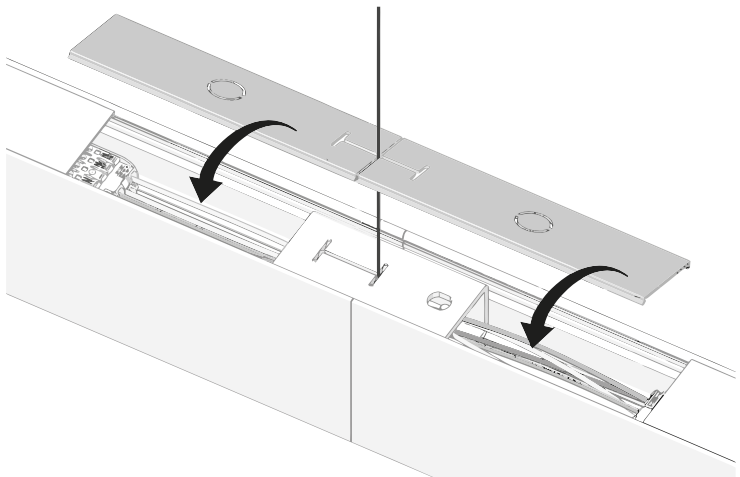
20



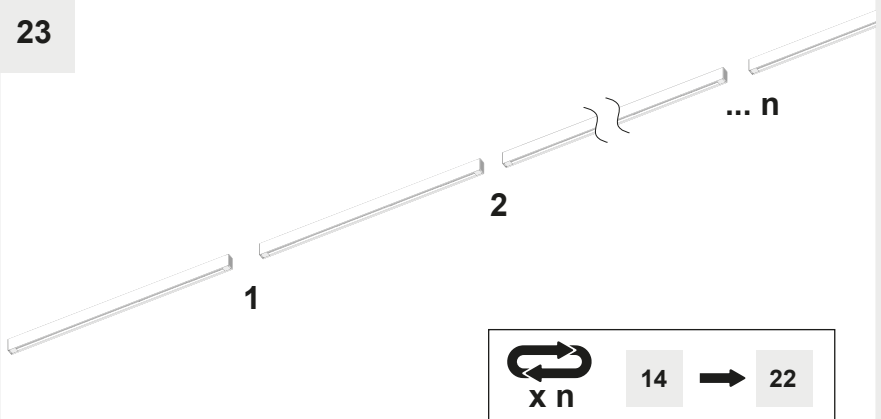
21

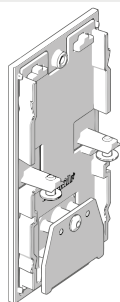


22

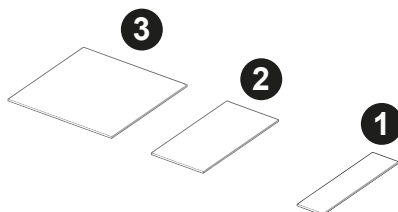
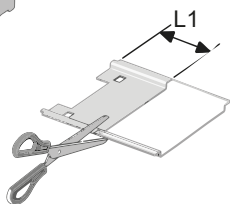
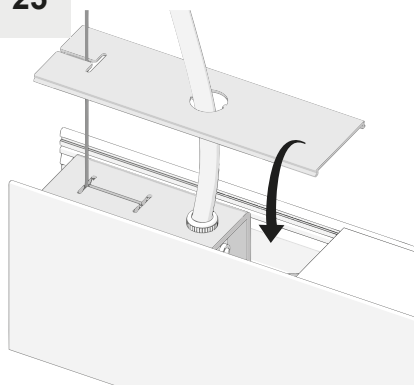
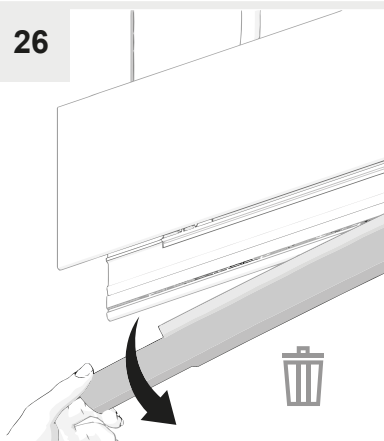


23

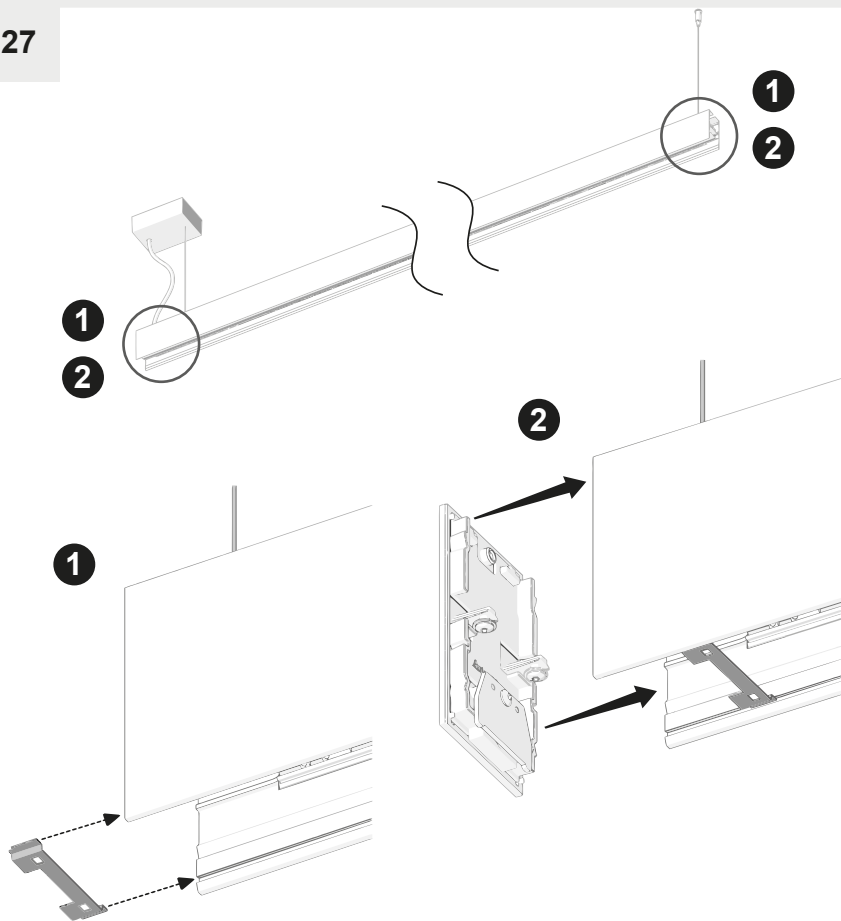


24

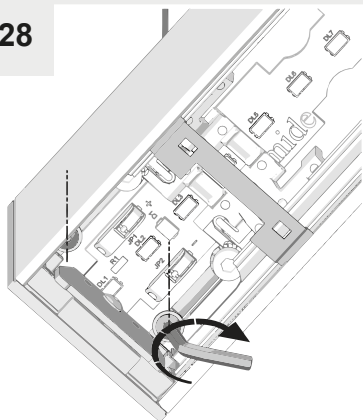
L Tot [mm]	Type	L1 [mm]
1.184 ÷ 2.368	1	10
2.368 ÷ 10.000	2	20
10.000 ÷ 30.000	3	40

**25****26**

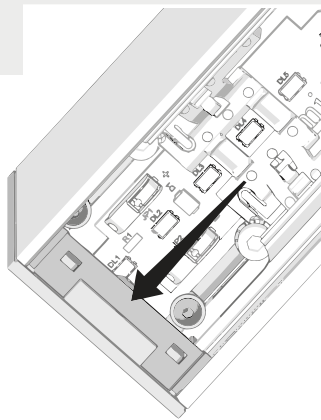
27



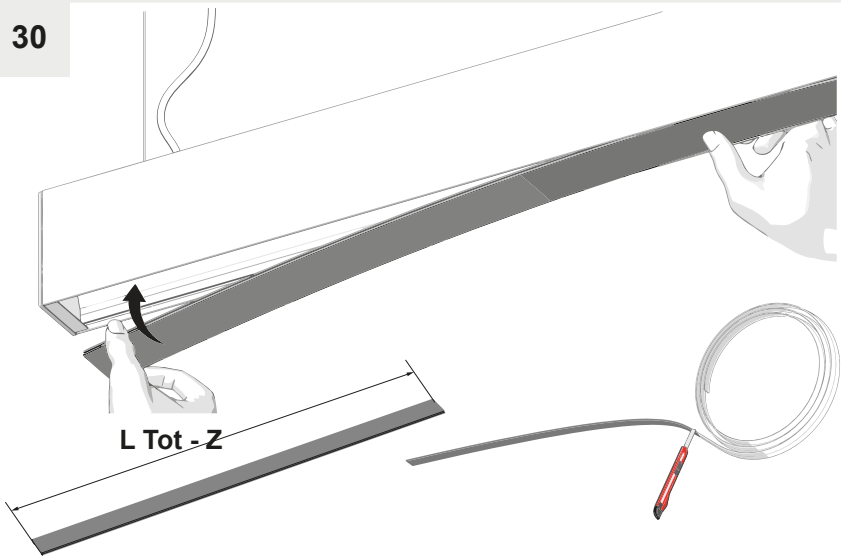
28

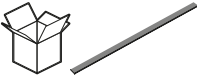




29

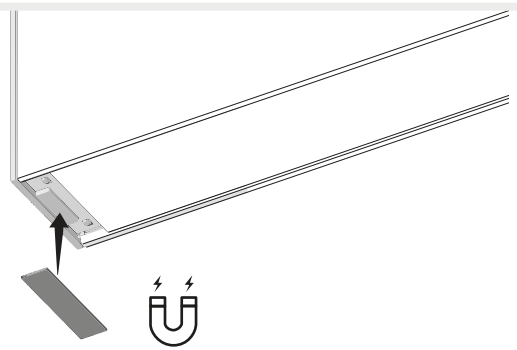


30



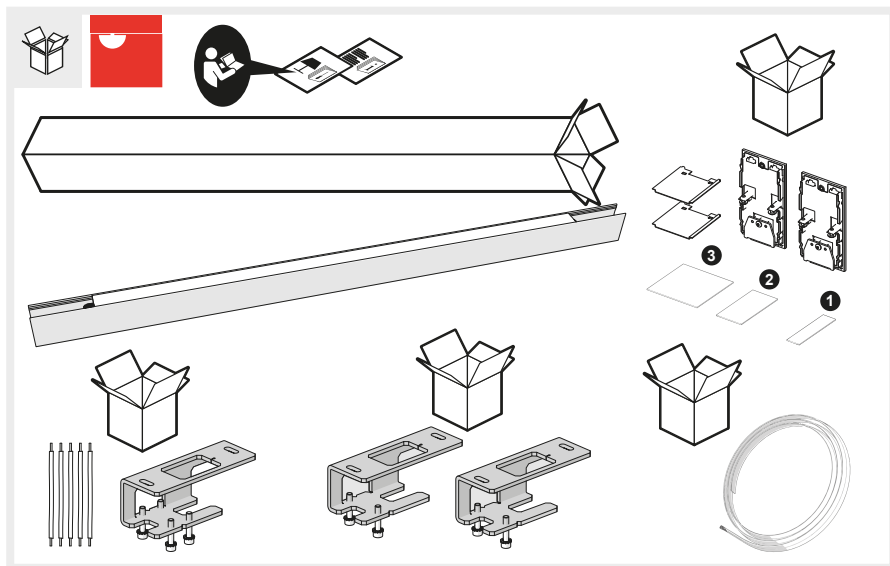
L Tot [mm]			Z [mm]
1184	1184 mm	✗	~7
1480	2368 mm	✓	~7
2368	2368 mm	✗	~7
2960	2960 [mm]	✗	~7
2960 ÷ 10000	 10/25/50 m	✓	~15
10001 ÷ 30000		✓	~35

31





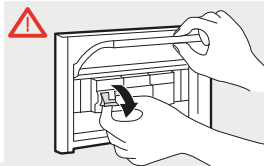
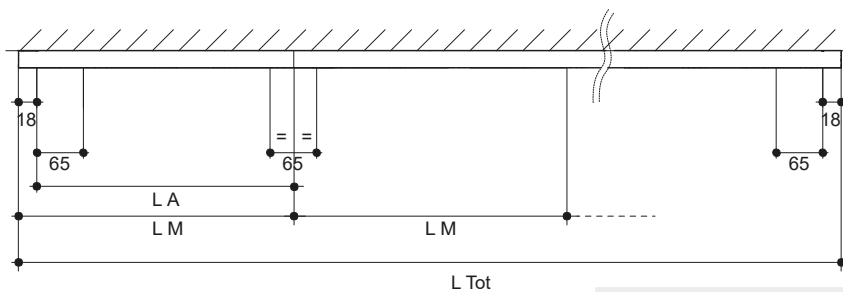
A. 39 CEILING



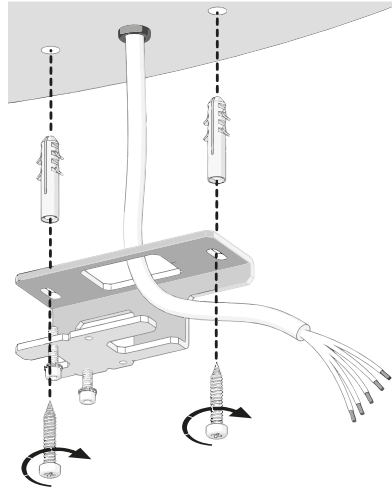
1

CEILING DRILING LAY-OUT

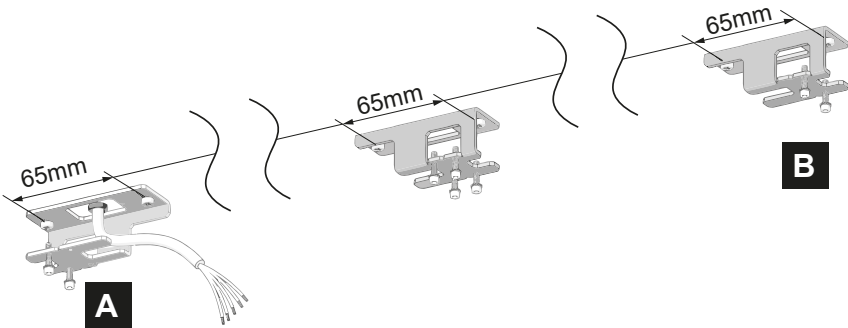
LM [mm]	LA [mm]	⚖ Kg
1184	LM-18 mm	2,3
1480		2,9
2368		4,4
2960		5,7



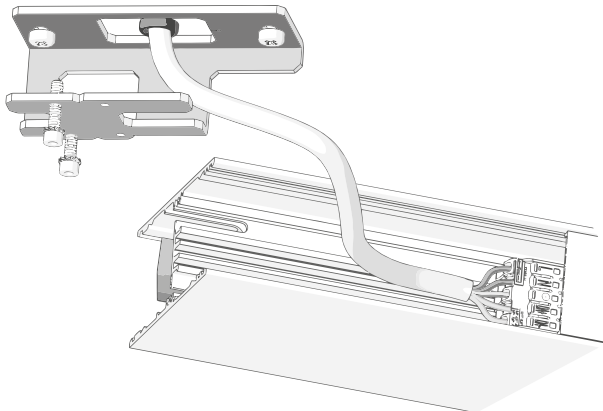
2



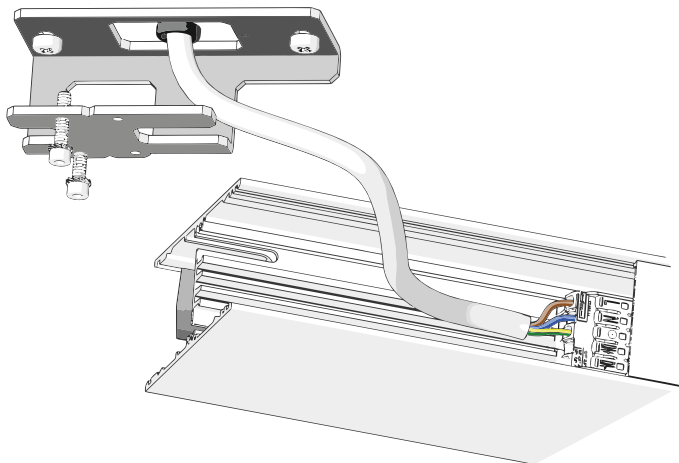
3



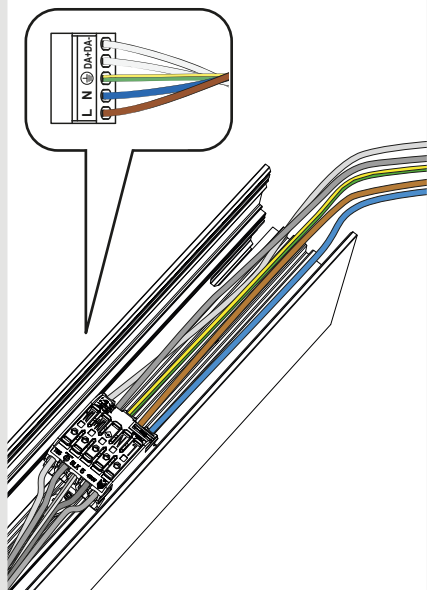
4a



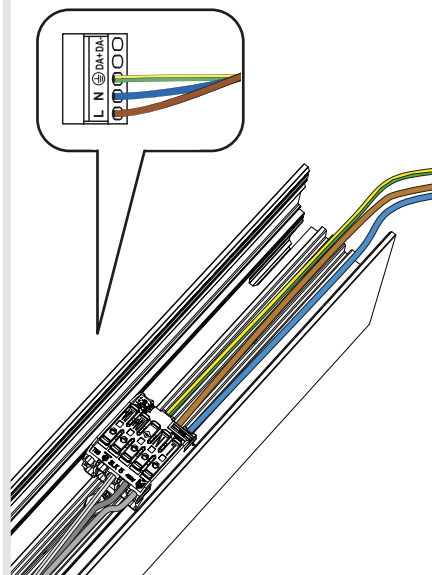
4b



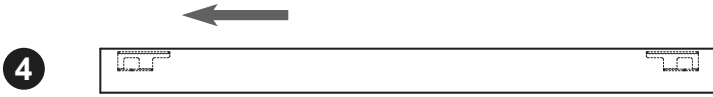
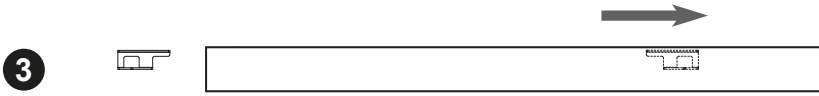
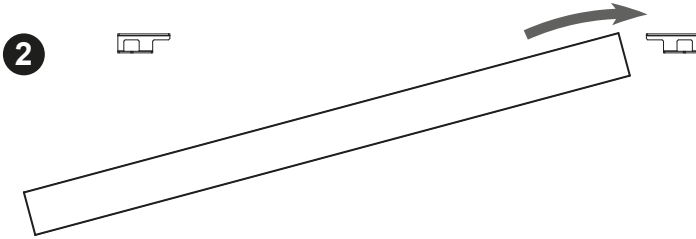
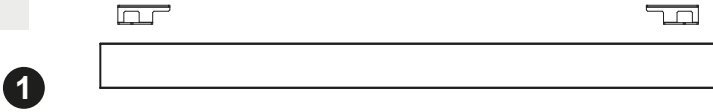
5a



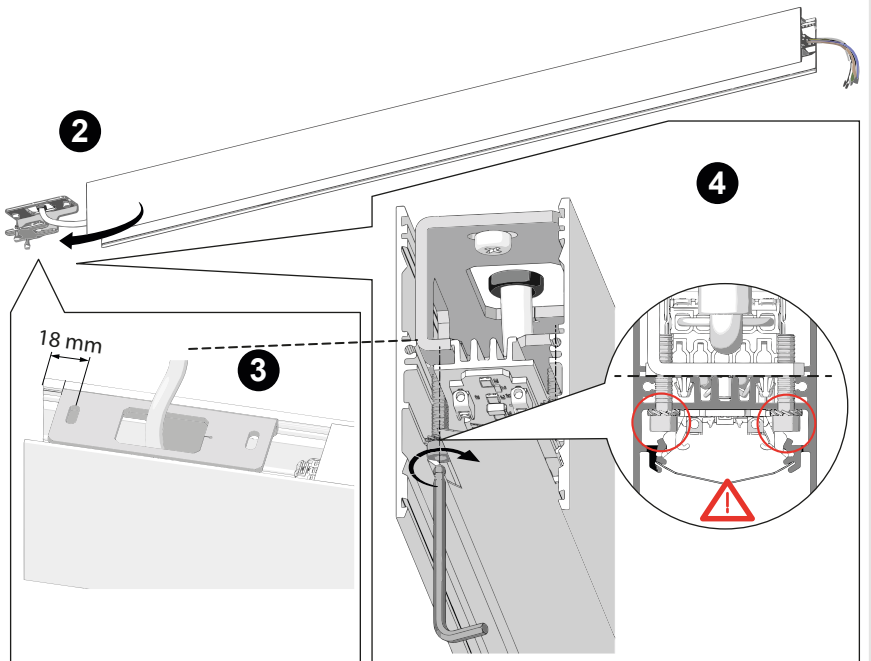
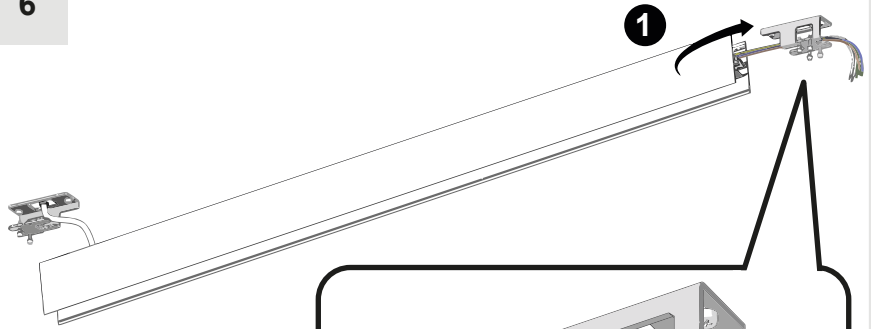
5b



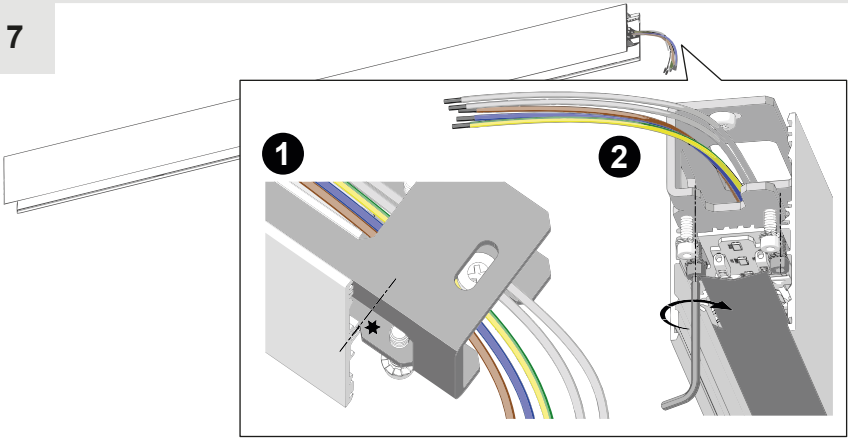
i



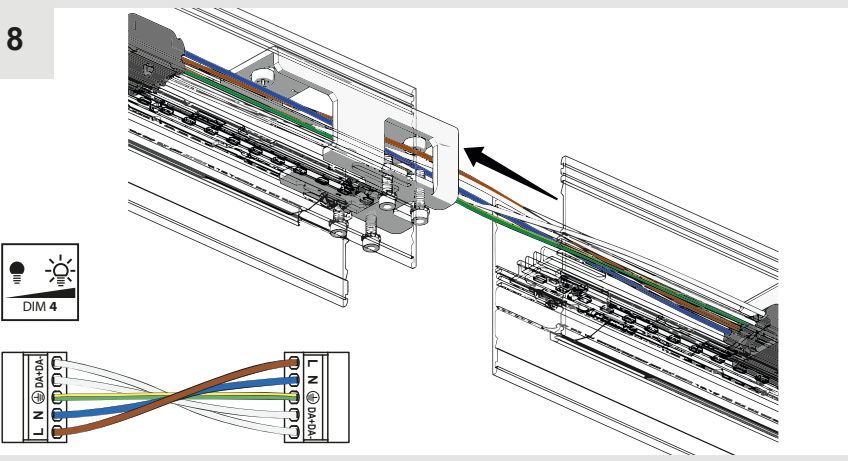
6



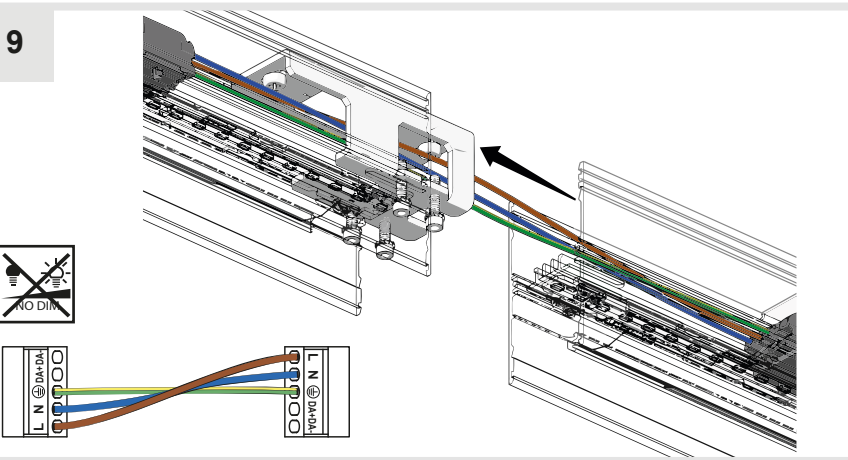
7



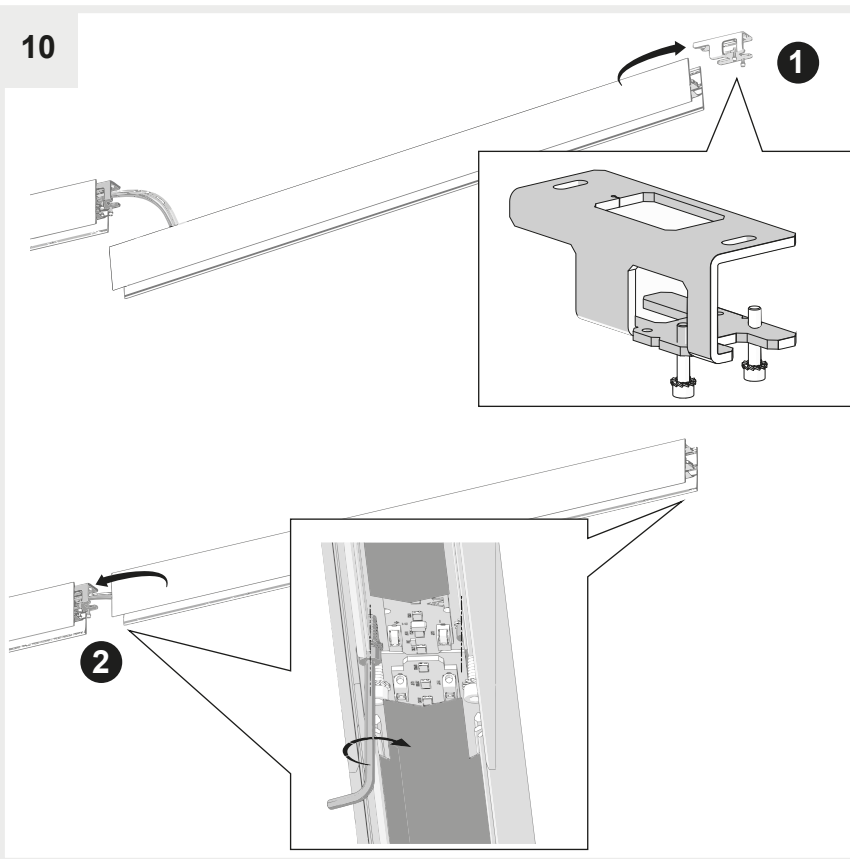
8



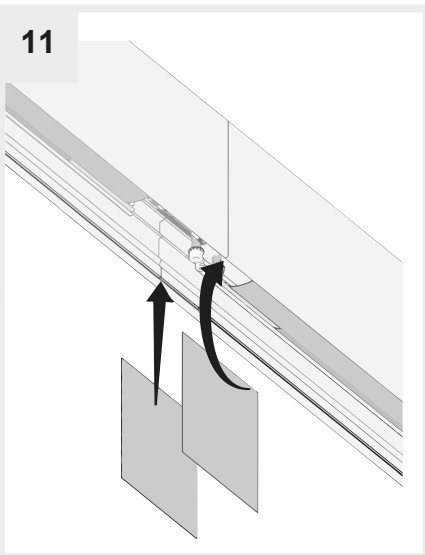
9



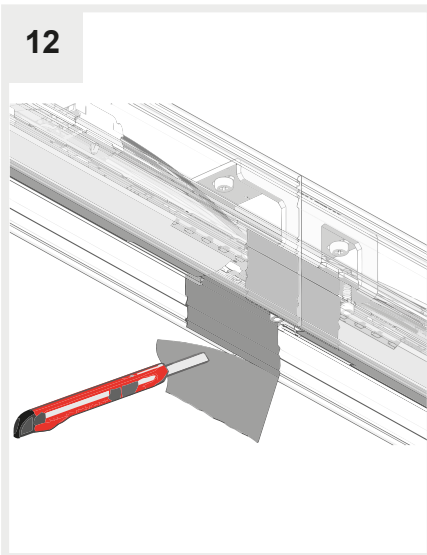
10



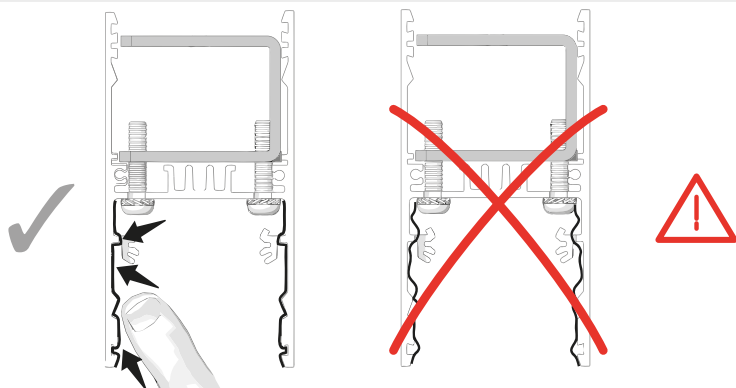
11



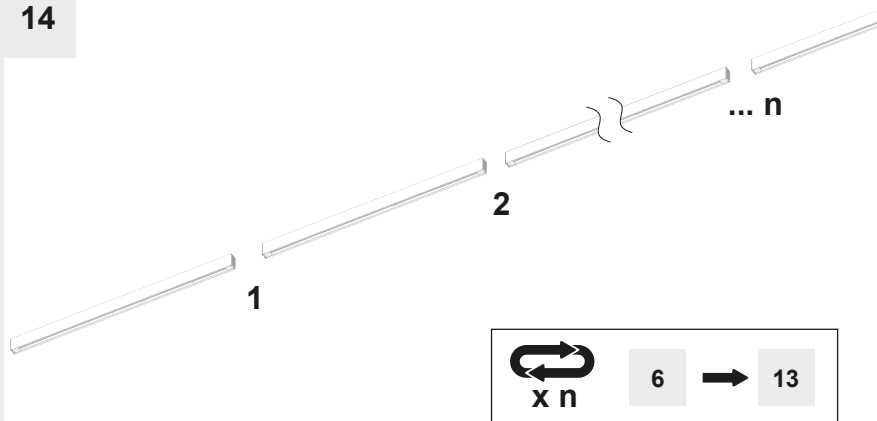
12



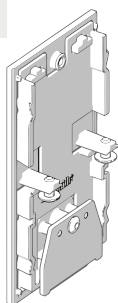
13



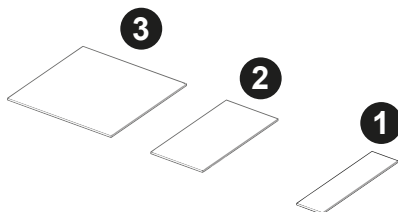
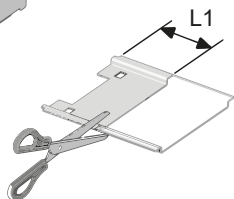
14



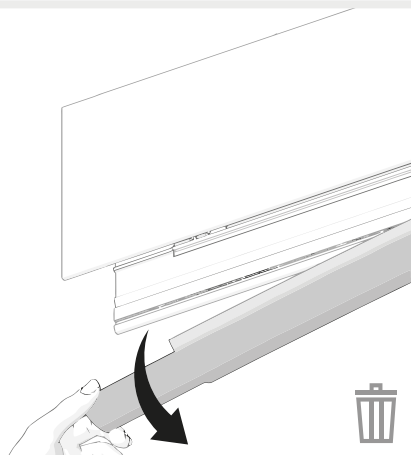
15



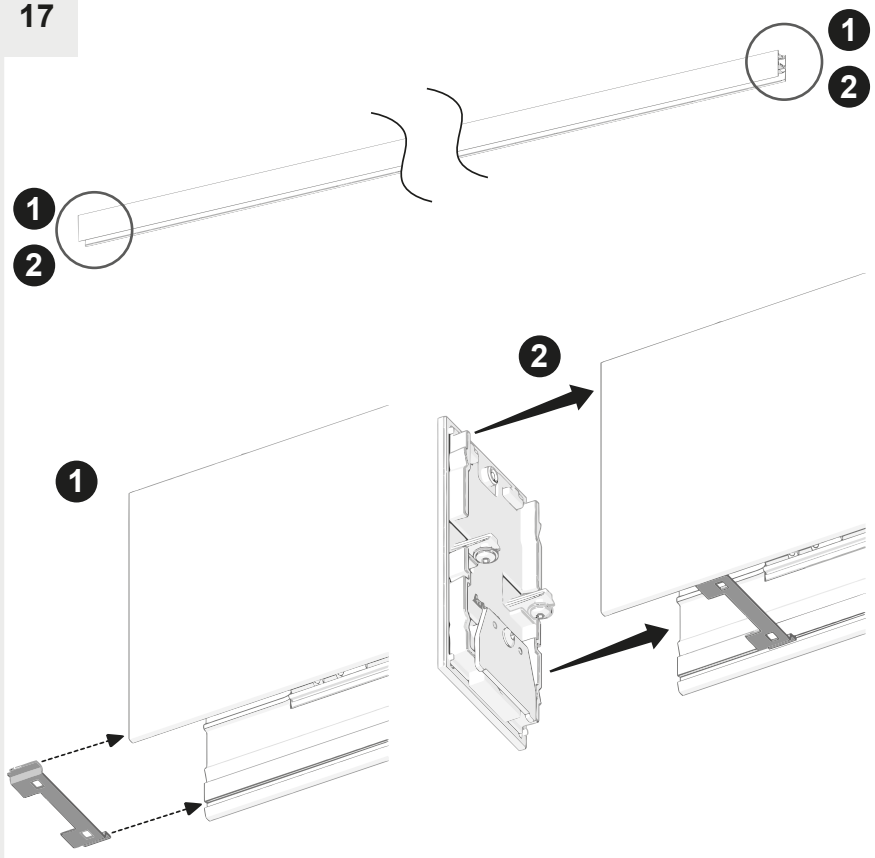
L Tot [mm]	Type	L1 [mm]
1.184 ÷ 2.368	1	10
2.368 ÷ 10.000	2	20
10.000 ÷ 30.000	3	40



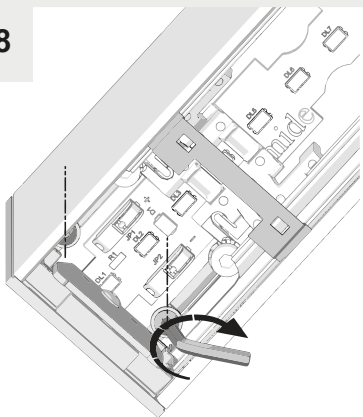
16



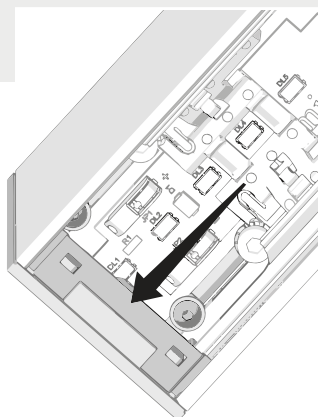
17



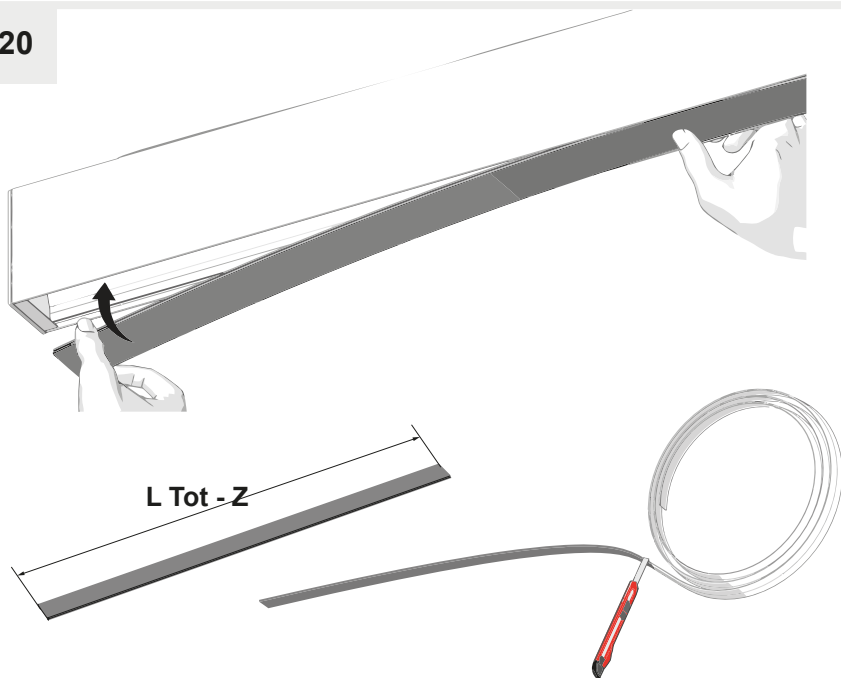
18



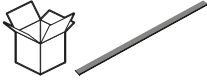


19



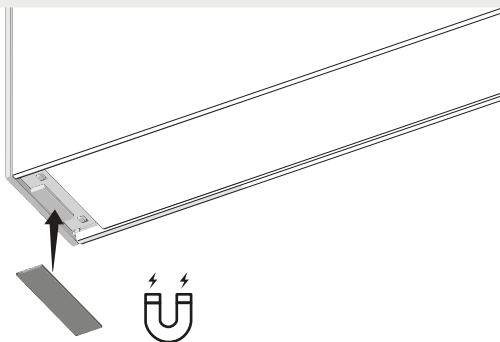
20

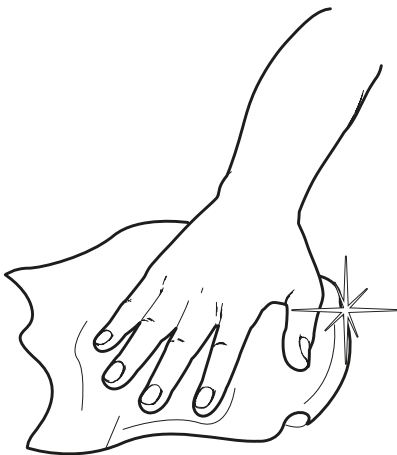


21

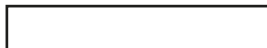
L Tot [mm]			Z [mm]
1184	1184 mm	✗	~7
1480	2368 mm	✓	~7
2368	2368 mm	✗	~7
2960	2960 [mm]	✗	~7
2960 ÷ 10000	 10/25/50 m	✓	~15
10001 ÷ 30000		✓	~35

22





Artemide[®]
ARCHITECTURAL



Artemide Spa

via Bergamo, 18
20006 Pregnana M.se (MI)
ITALIA

Tel. +39 02 935 181
Fax +39 02 935 90 254
Fax +39 02 935 90 496

www.artemide.com

VAT IT00846890150

cod. Y513000907H