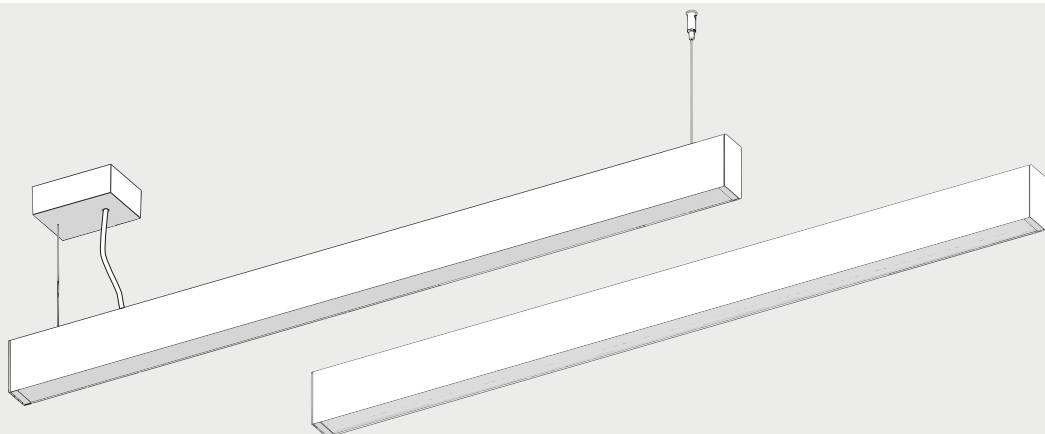


A.39 CEILING AND SUSPENSION INTEGRALIS®

design
C. de Bevilacqua



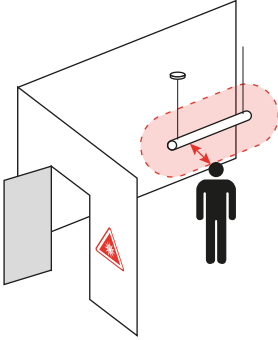
Type	APP	Lenght [mm]	Max Power [W]	I _{max} [A]	Inrush current I _{peak} [A]	Twth Inrush current time [μs]
		1184	54	0.25	1x 31.5	215
		1480	66	0.29	1x 31.5	215
		2368	108	0.48	2x 31.5	215
		2960	131	0.57	2x 31.5	215
		1184	63.5	0.29	1x 31.5 1x 26	215 140
		1480	80	0.35	1x 31.5 1x 26	215 140
		2368	125	0.55	2x 31.5 1x 26	215 215
		2960	157	0.68	2x 31.5 1x 26	215 215





DAY MODE

$d \geq 0,49 \text{ m}$



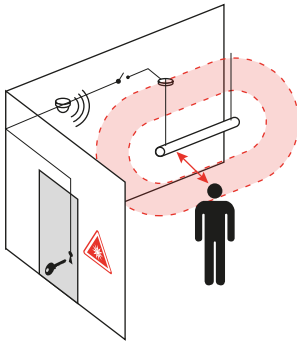
Artemide INTEGRALIS fixture	d = distance from lighting fixture	IEC 62778	IEC 62471 ACTINIC-UV	IEC 62471 NEAR UV	IEC 62471 BLUE-LIGHT	IEC 62471 RETINAL THERMAL	IEC 62471 IR-RADIATION	EN 62471 NEAR UV	Use for work activities compatibility according to the standard EN 12464-1	EU DIRECTIVE 2006/25/EC time to reach allowed DOS	EN 62031	HUMAN PRESENCE
DAY MODE <small>(0,49 m <= d <= 1,45 m)</small>	$d \geq 0,49 \text{ m}^*$	R _a	R _b	R _c	R ₀	R _d	R _e	R _f	✓	✓	✓	ALLOWED

* For distances between the lighting fixture and the observer's eye lower than the recommended one, contact qualified Artemide personnel to evaluate and validate the applicability. Installation just only by professional and qualified installers.



NIGHT MODE

$0,49 \text{ m} < d \leq 1,45 \text{ m}$



Artemide INTEGRALIS fixture	d = distance from lighting fixture	IEC 62778	IEC 62471 ACTINIC-UV	IEC 62471 NEAR UV	IEC 62471 BLUE-LIGHT	IEC 62471 RETINAL THERMAL	IEC 62471 IR-RADIATION	EN 62471 NEAR UV	Use for work activities compatibility according to the standard EN 12464-1	EU DIRECTIVE 2006/25/EC time to reach allowed DOS	EN 62031	HUMAN PRESENCE
NIGHT MODE *	$0,49 < d \leq 1,45 \text{ m}$	R _a	R _b	R _c	R ₀	R _d	R _e	R _f	✗	^{t_{lim,0,001} = 1h40'} _{t_{lim,0,001} = 5h}	✗	NOT RECOMMENDED

* MICROBIOLOGICAL CONTAINMENT AND ENVIRONMENTAL DISINFECTION AID.

Safety sensors and/or locked ambient required.

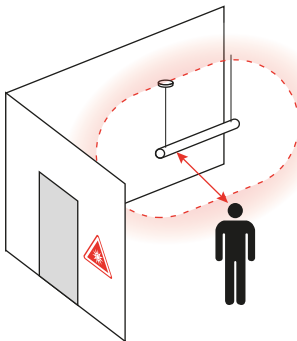
ONLY for professional use - read carefully the product instruction. Installation just only by professional and qualified installers.

Coordination with ambient safety devices and sensors required.



NIGHT MODE

$d > 1,45 \text{ m}$



Artemide INTEGRALIS fixture	d = distance from lighting fixture	IEC 62778	IEC 62471 ACTINIC-UV	IEC 62471 NEAR UV	IEC 62471 BLUE-LIGHT	IEC 62471 RETINAL THERMAL	IEC 62471 IR-RADIATION	EN 62471 NEAR UV	Use for work activities compatibility according to the standard EN 12464-1	EU DIRECTIVE 2006/25/EC time to reach allowed DOS	EN 62031	HUMAN PRESENCE
NIGHT MODE *	$d > 1,45 \text{ m}$	R _a	R _b	R _c	R ₀	R _d	R _e	R _f	✗	t ≥ 8h	✗	NOT RECOMMENDED

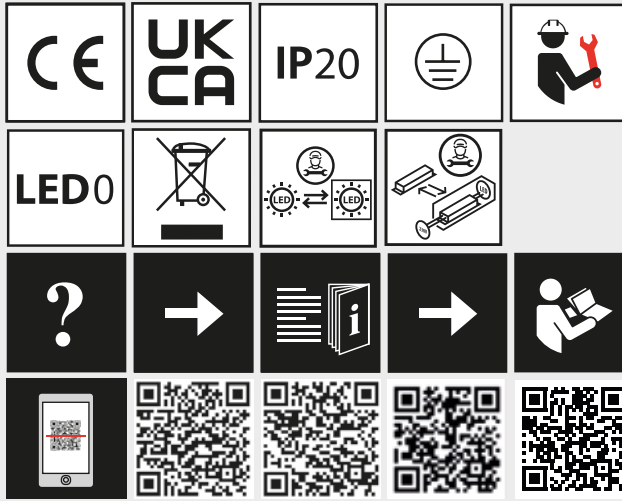
* MICROBIOLOGICAL CONTAINMENT AND ENVIRONMENTAL DISINFECTION AID.

No special requirements needed.

ONLY for professional use - read carefully the product instruction. Installation just only by professional and qualified installers.



i



Artemide App
Starting Guide

Artemide
INTEGRALIS



see also on
artemide.com

NON ENTRARE O
SOSTARE
NELL'AMBIENTE IN
CASO DI LUCE VIOLA
ACCESA.

DO NOT ENTER OR
STAND IN THE ROOM
WHEN VIOLET LIGHT
IS ON.

NE PAS ENTRER OU
RESTER DANS LA
PIÈCE LORSQUE LA
LUMIÈRE VIOLETTE
EST ALLUMÉE.

NO ENTRE NI
PERMANEZCA EN LA
HABITACIÓN
CUANDO LA LUZ
VIOLETA ESTÉ
ENCENDIDA.

BETRETEN SIE DEN
RAUM NICHT UND
HALTEN SIE SICH
NICHT DARIN AUF,
WENN DAS VIOLETTE
LICHT EINGESCHAL-
TET IST.

NON GUARDARE MAI
DIRETTAMENTE LE
SORGENTI SPECIE A
LUCE VIOLA ACCESA.

NEVER STARE
DIRECTLY AT
SOURCES,
ESPECIALLY WHEN
VIOLET LIGHT IS ON.

NE JAMAIS
REGARDER
DIRECTEMENT LES
SOURCES, SURTOUT
LORSQUE LA
LUMIÈRE VIOLETTE
EST ALLUMÉE.

NUNCA MIRE
DIRECTAMENTE A
LAS FUENTES,
ESPECIALMENTE
CUANDO LA LUZ
VIOLETA ESTÁ
ENCENDIDA.

BLICKEN SIE
NIEMALS DIREKT IN
DIE QUELLEN,
INSBESONDERE
WENN DAS VIOLETTE
LICHT EINGESCHAL-
TET IST.

SEGNALARE
EVENTUALI
MALUNZIONAMENTI
AL RESPONSABILE
TECNICO ED AL
GESTORE
DELL'AMBIENTE.

REPORT ANY
MALFUNCTIONS TO
THE TECHNICAL
SUPERVISOR AND
THE ENVIRONMENT
MANAGER.

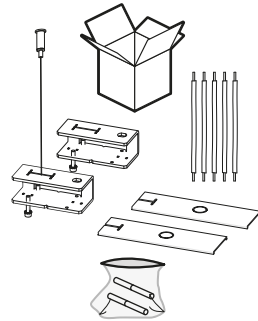
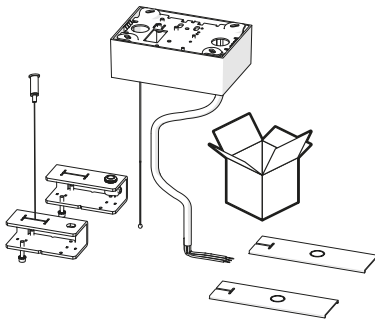
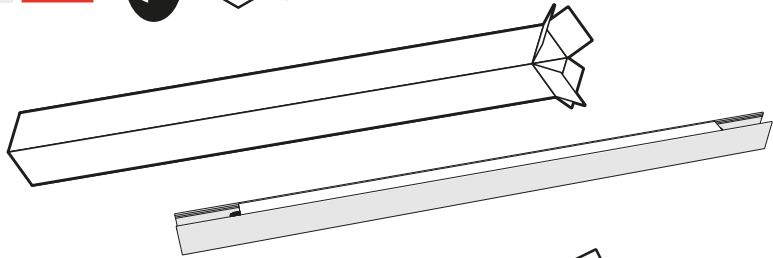
SIGNALER TOUT
DYSFONCTIONNE-
MENT AU
RESPONSABLE
TECHNIQUE ET AU
RESPONSABLE DE
L'ENVIRONNEMENT.

INFORMAR DE
CUALQUIER MAL
FUNCIONAMIENTO AL
RESPONSABLE
TÉCNICO Y AL
RESPONSABLE DE
MEDIO AMBIENTE.

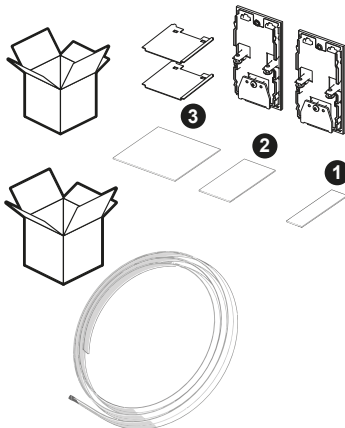
MELDEN SIE
STÖRUNGEN AN DEN
TECHNISCHEN
LEITER UND AN DEN
UMWELTMANAGER.



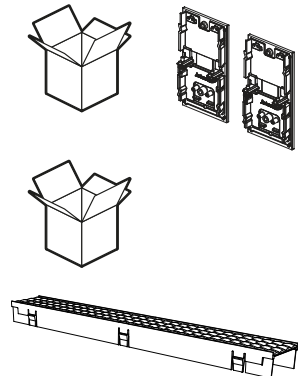
A. 39 SUSPENSION




DIFFUSED EMISSION

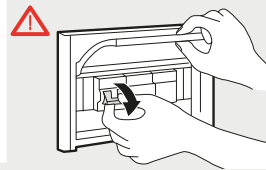
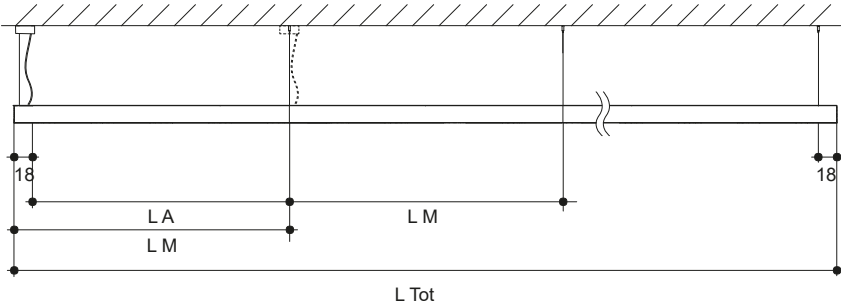
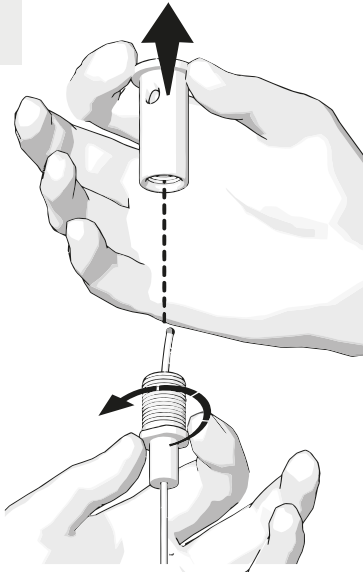
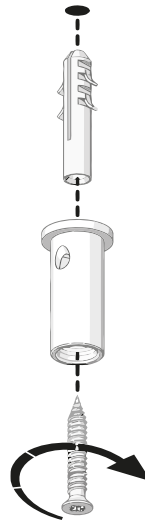


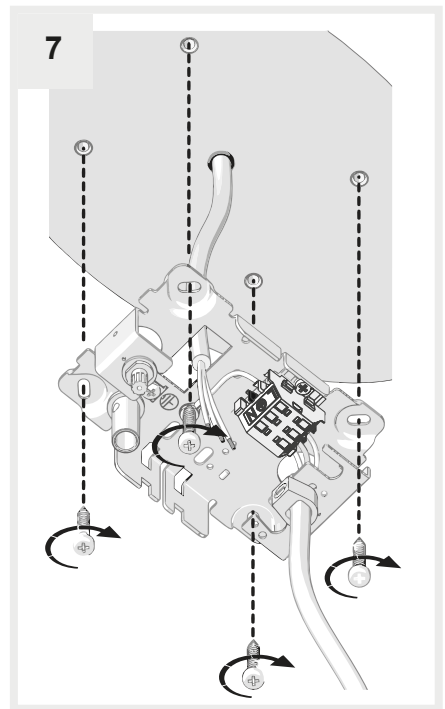
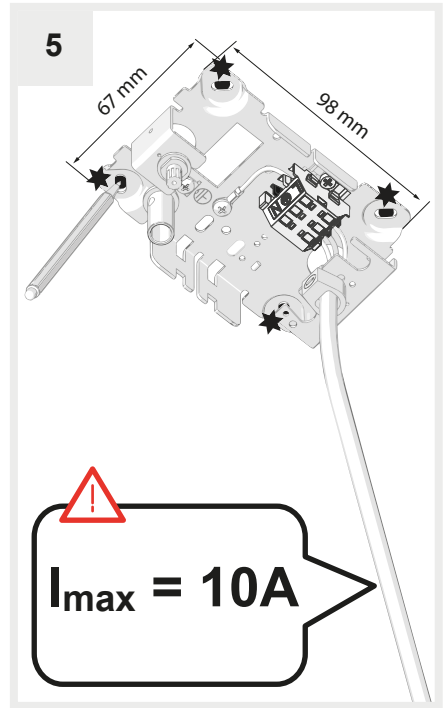
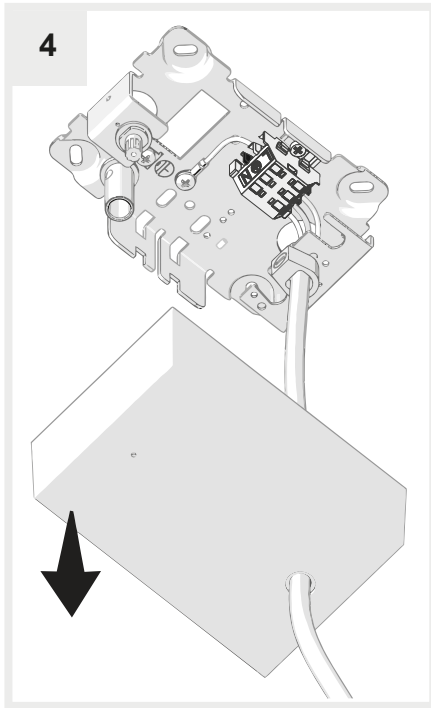
CONTROLLED EMISSION



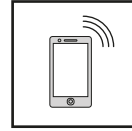
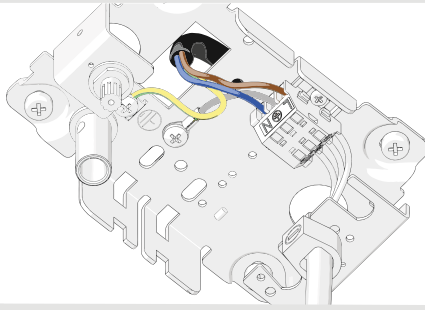
1

SUSPENSION WIRES LAYOUT		
LM [mm]	LA mm	 Kg
1184	LM-18 mm	2,8
1480		3,7
2368		5,0
2960		6,3

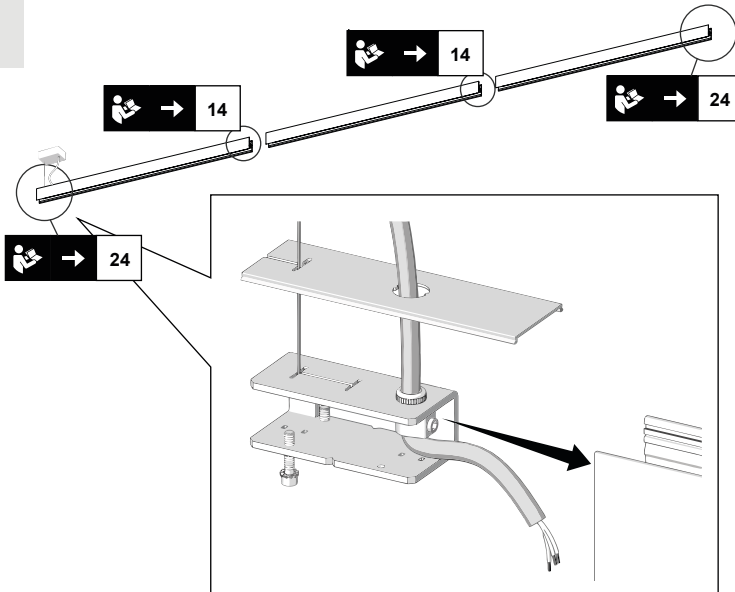
**2****3**



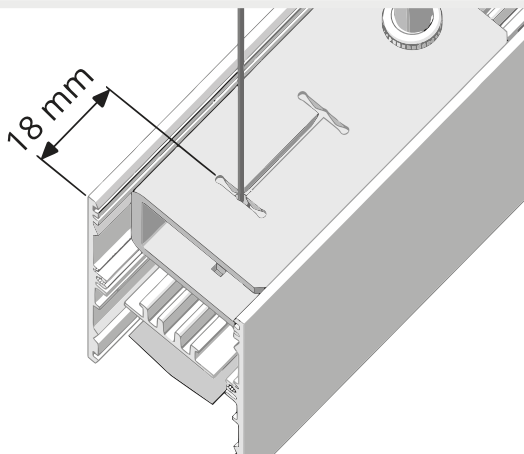
8



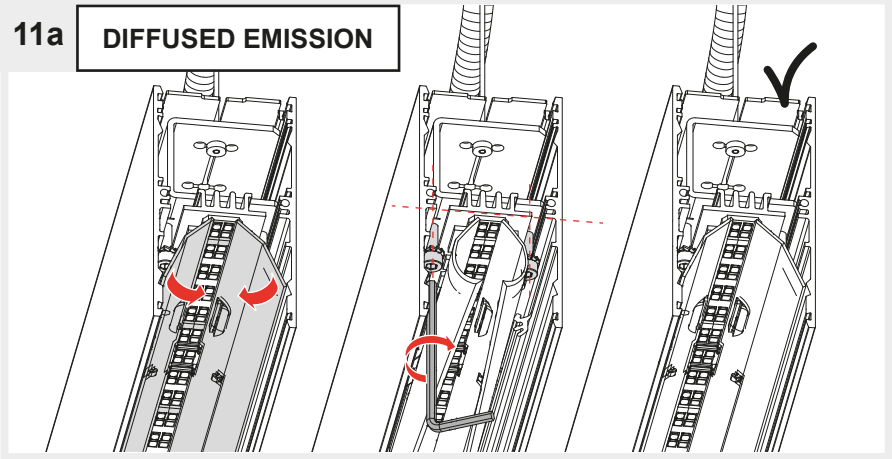
9



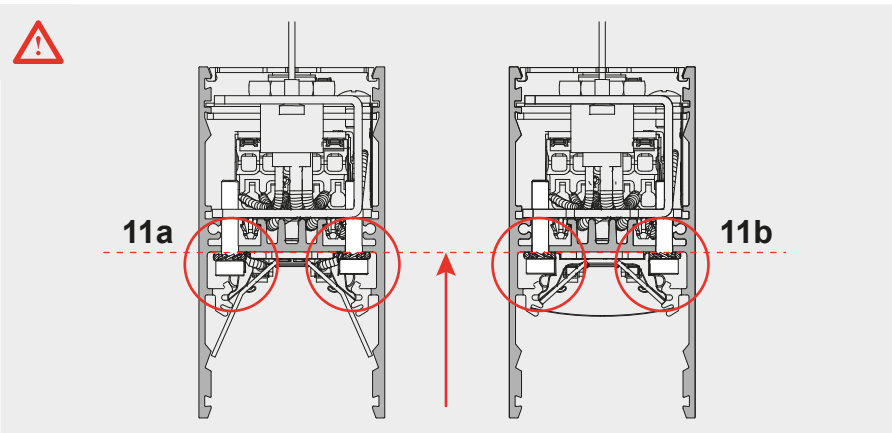
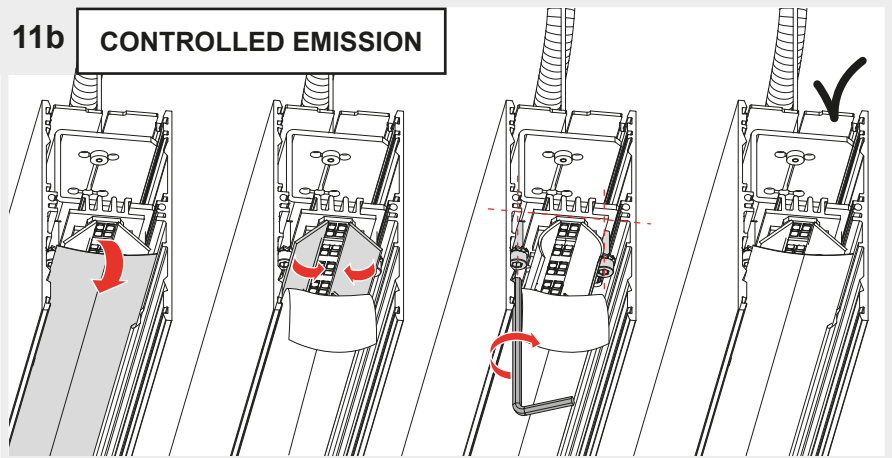
10



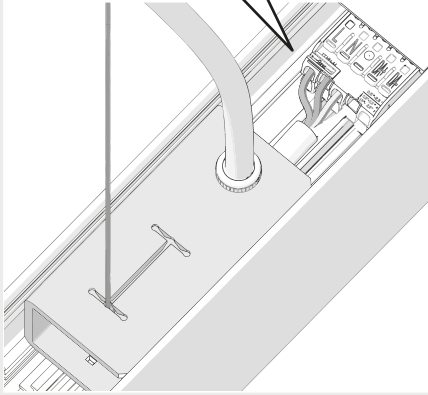
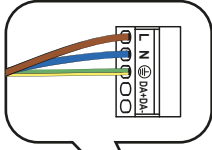
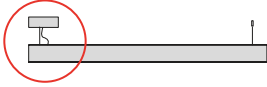
11a **DIFFUSED EMISSION**



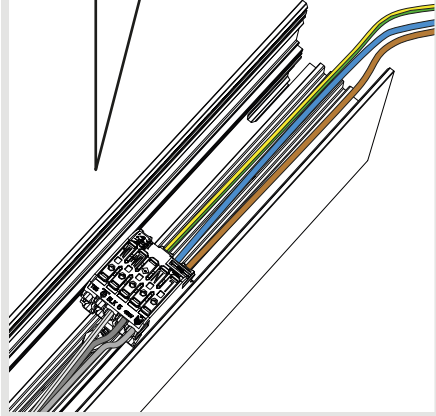
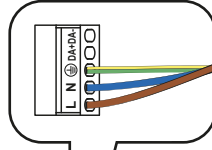
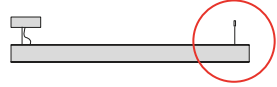
11b **CONTROLLED EMISSION**



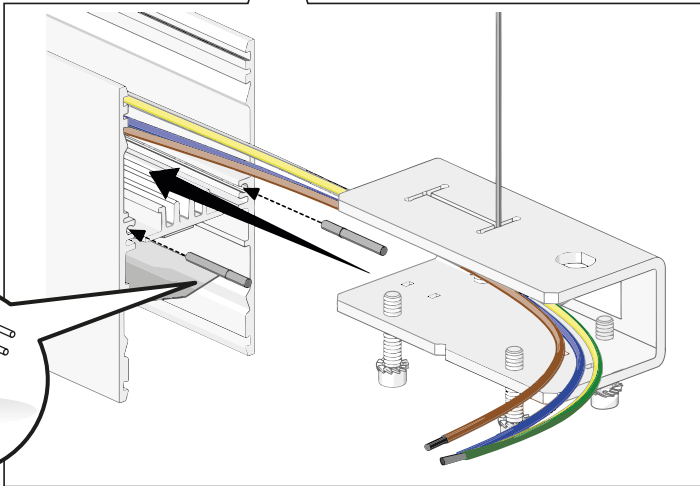
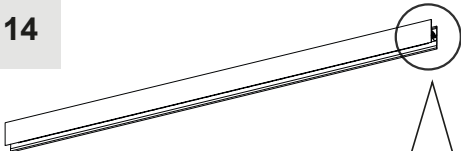
12



13



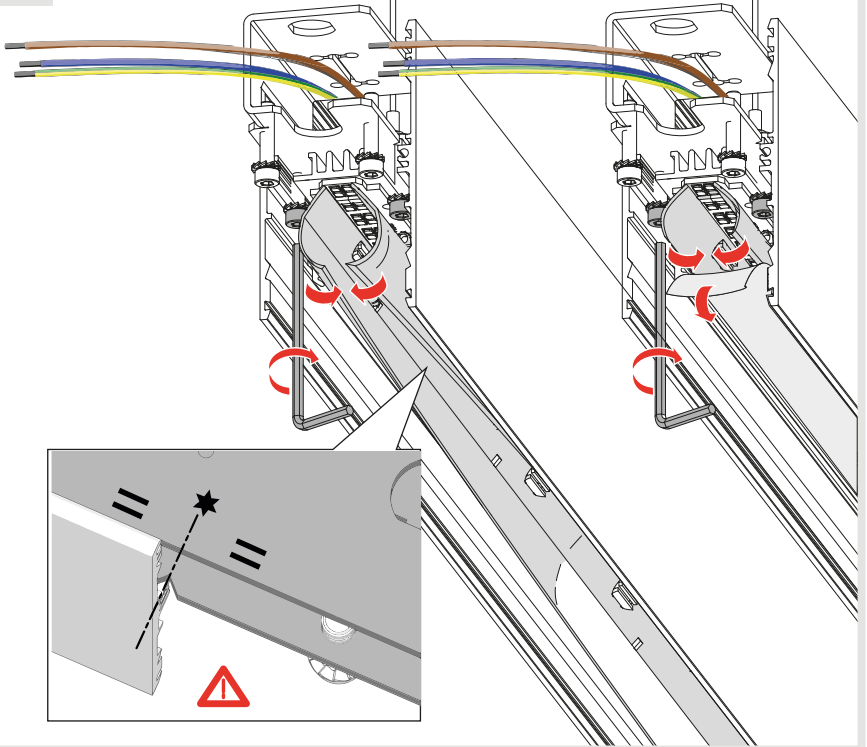
14



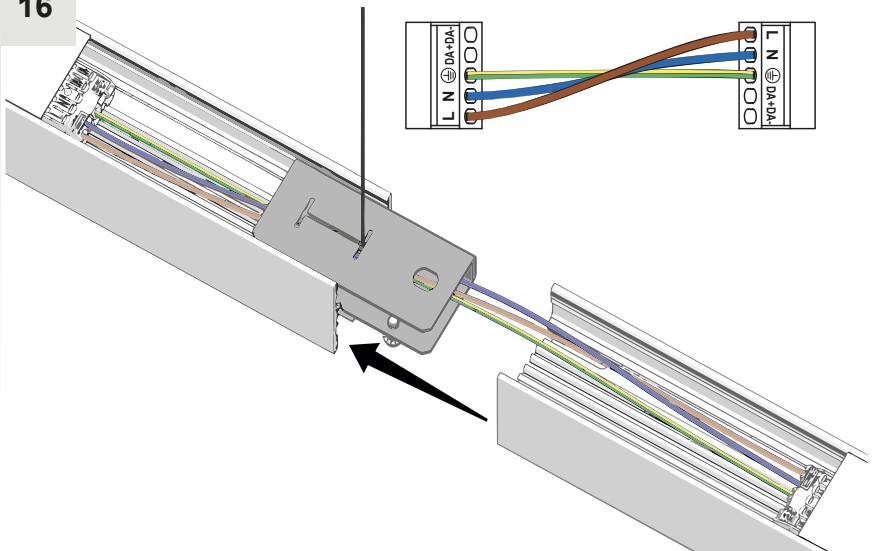
15

DIFFUSED EMISSION

CONTROLLED EMISSION

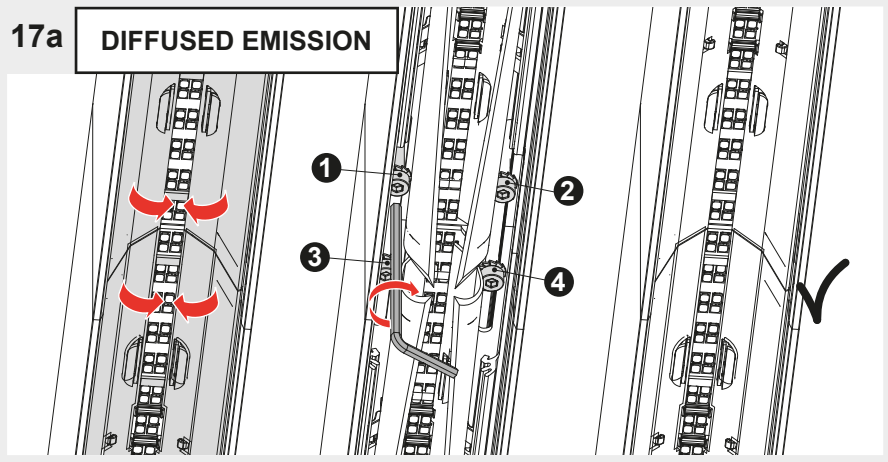


16



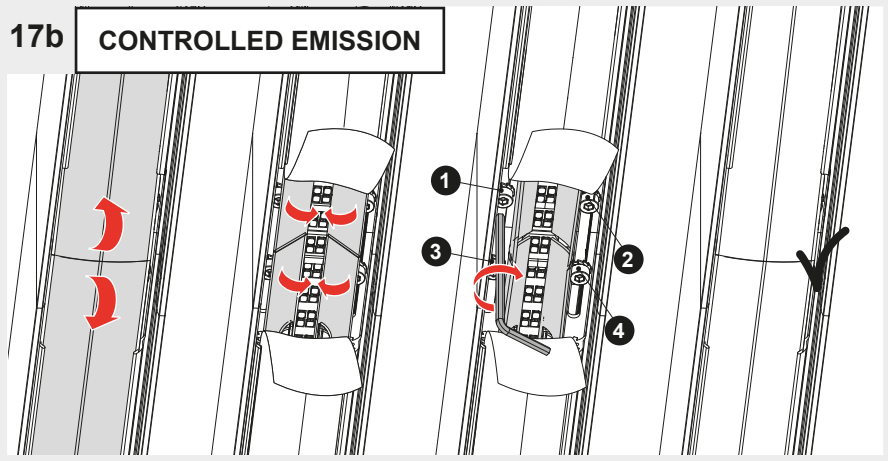
17a

DIFFUSED EMISSION

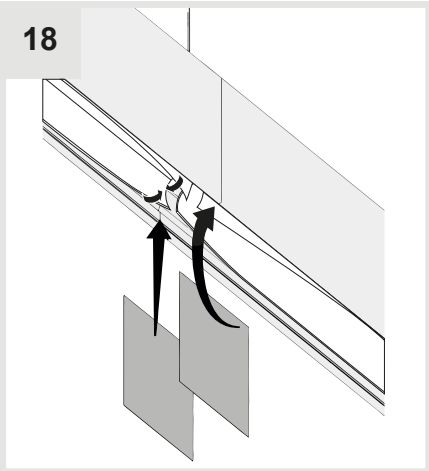


17b

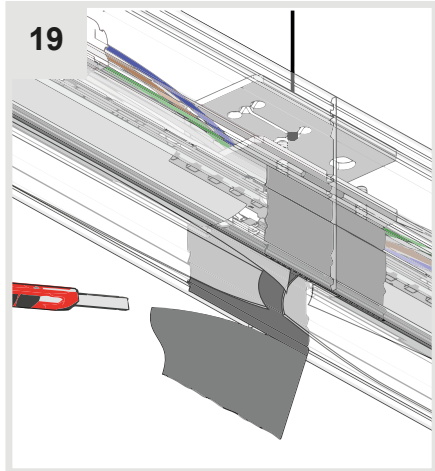
CONTROLLED EMISSION



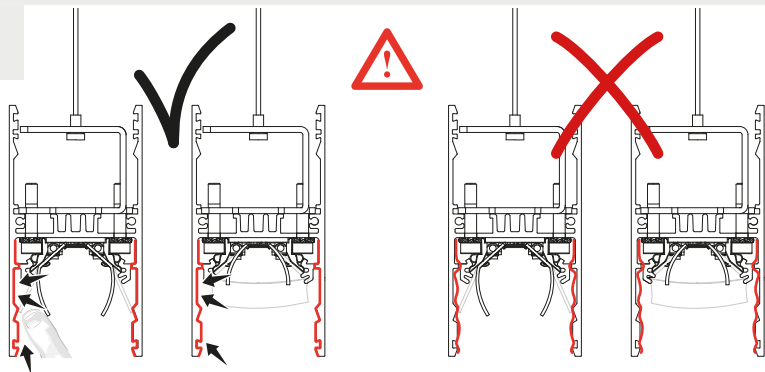
18



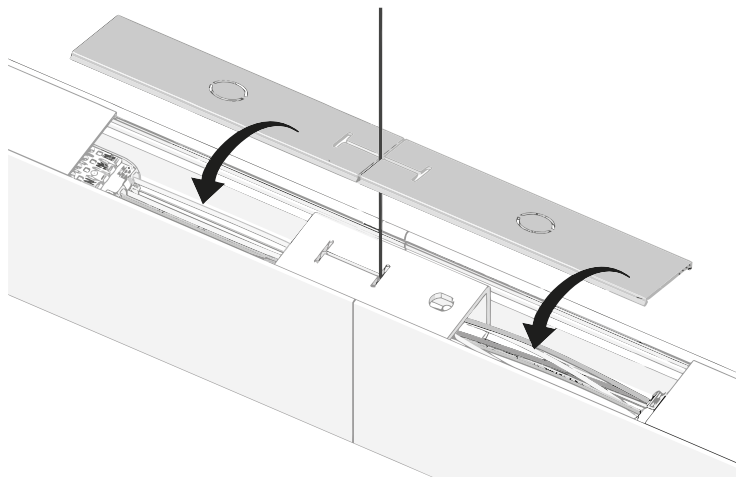
19



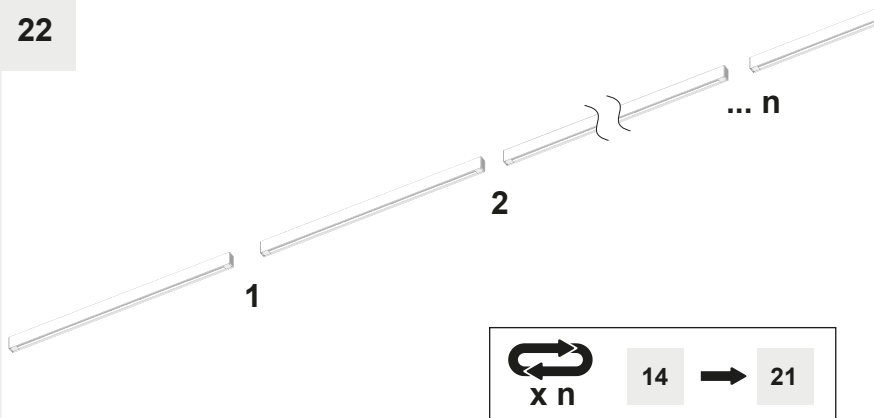
20



21



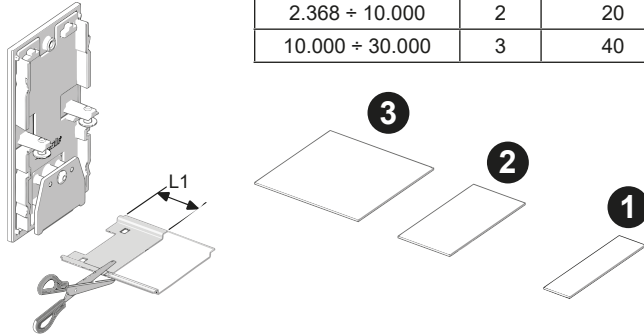
22



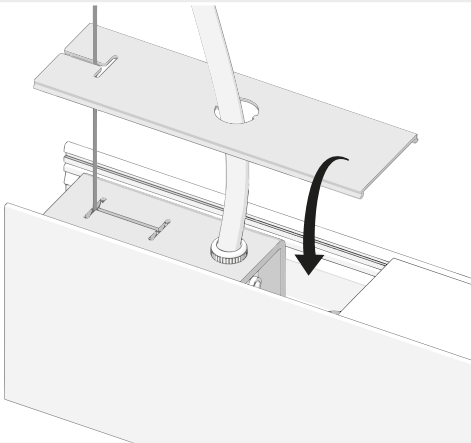
23

DIFFUSED EMISSION

L Tot [mm]	Type	L1 [mm]
1.184 ÷ 2.368	1	10
2.368 ÷ 10.000	2	20
10.000 ÷ 30.000	3	40



24



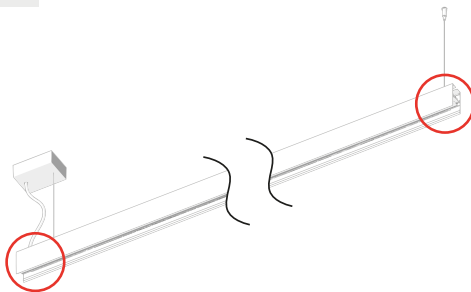
i

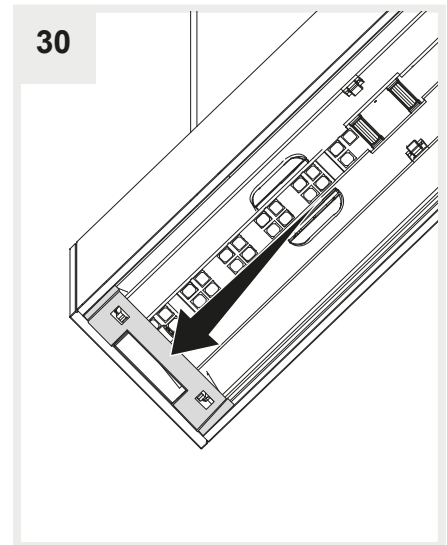
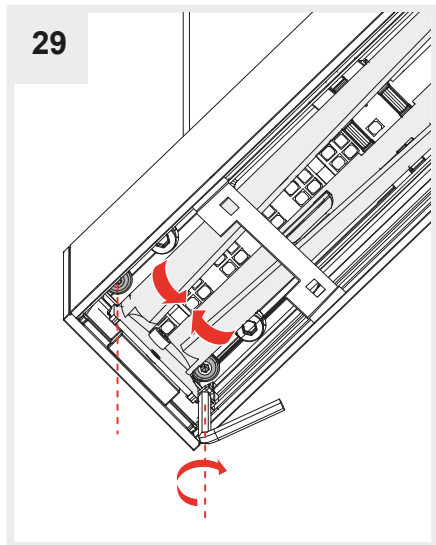
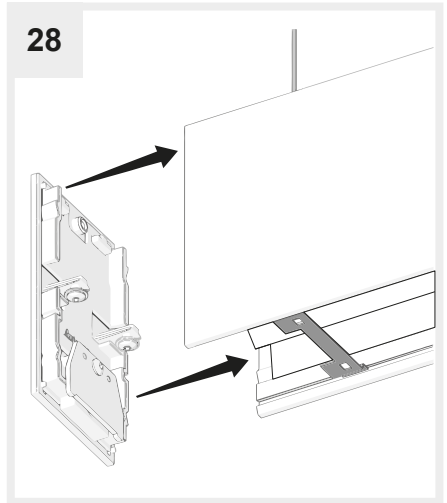
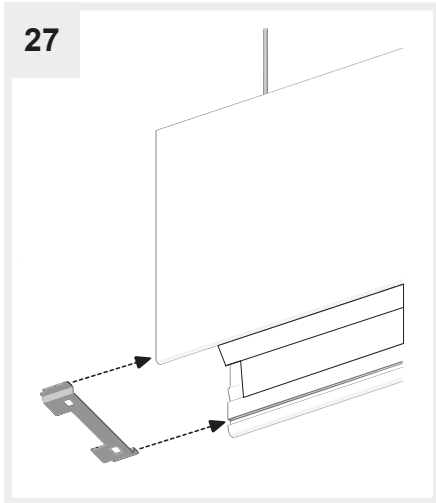
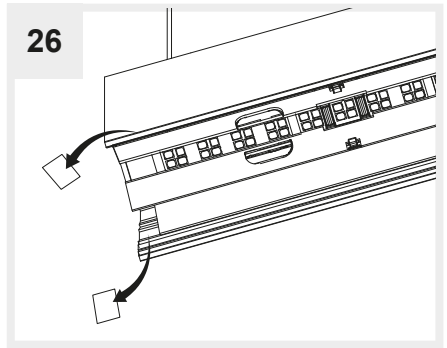
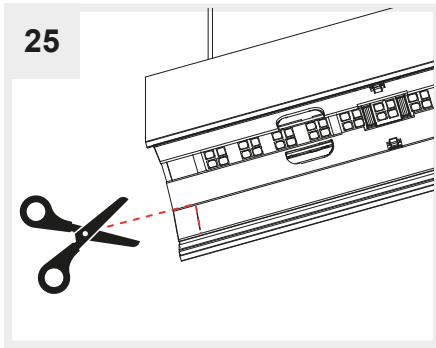
DIFFUSED EMISSION

25 → 32

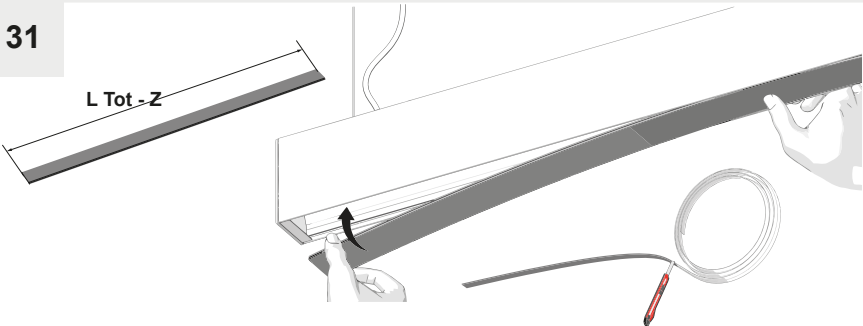
CONTROLLED EMISSION

33 → 34

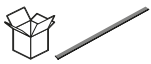

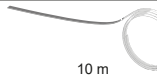


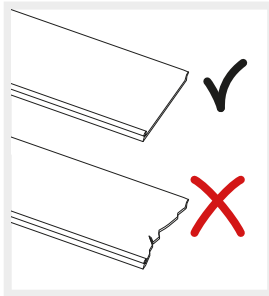
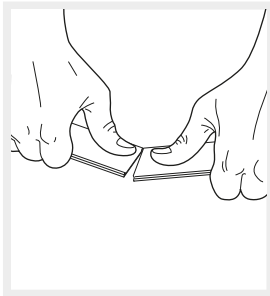
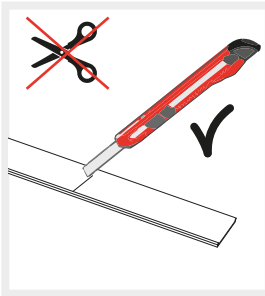


31

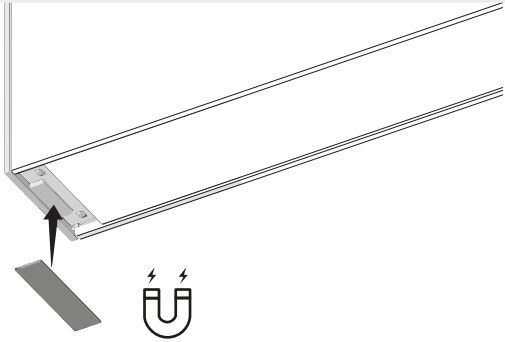


L Tot - Z

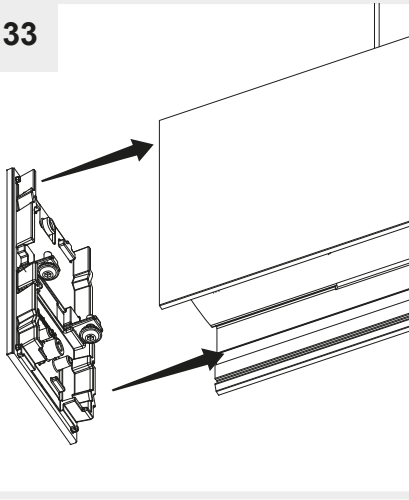
L Tot [mm]			Z [mm]
1184	1184 mm	✗	~7
1480	2368 mm	✓	~7
2368	2368 mm	✗	~7
2960	2960 [mm]	✗	~7
2960 + 10000		✓	~15
10001 + 30000		✓	~35



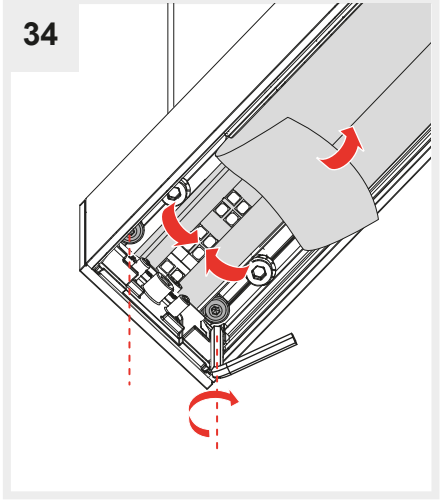
32



33



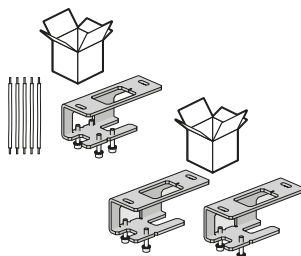
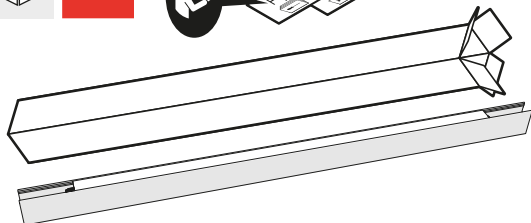
34



Y503300215

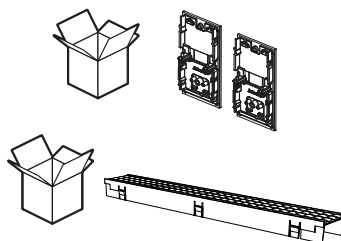
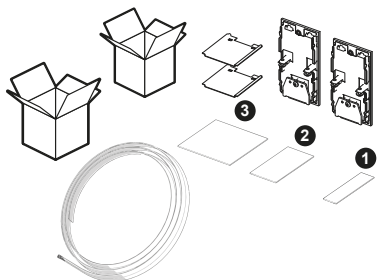


A. 39 CEILING

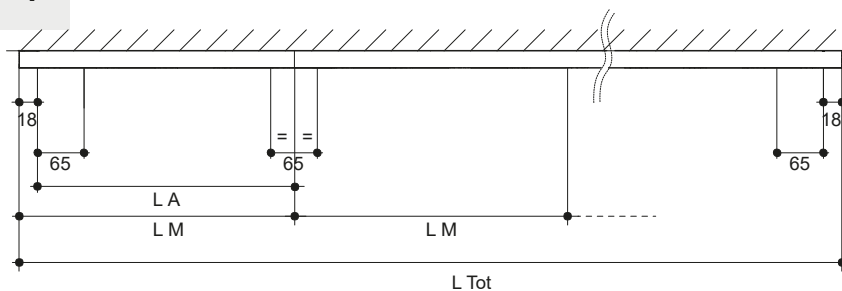


DIFFUSED EMISSION

CONTROLLED EMISSION

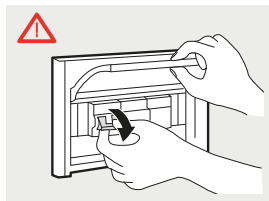


1

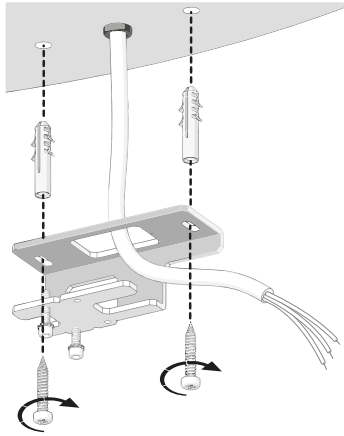


CEILING DRILING LAY-OUT

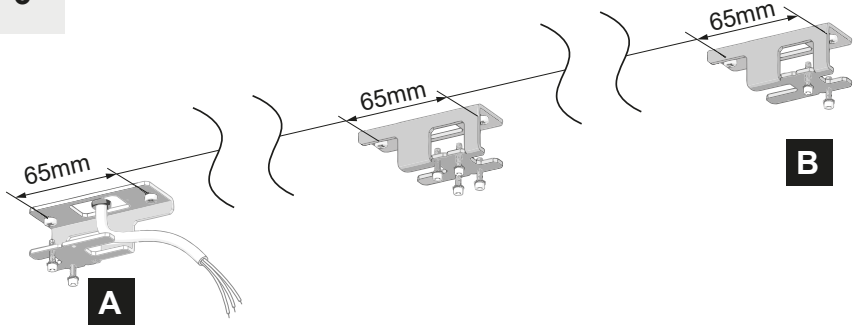
LM [mm]	LA [mm]	⊕ Kg
1184	LM-18 mm	2,8
1480		3,7
2368		5,0
2960		6,3



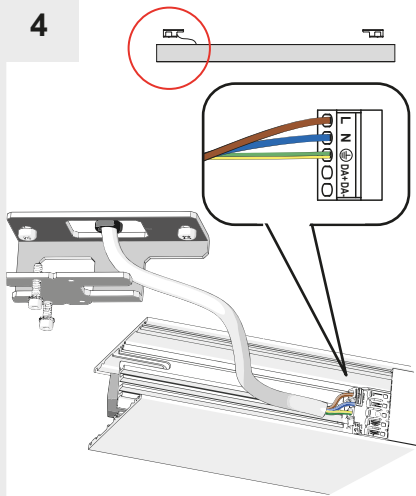
2



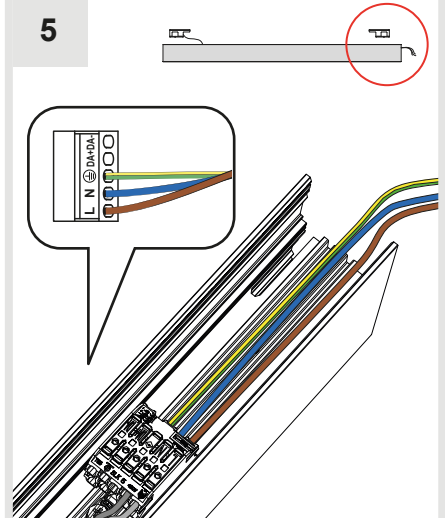
3



4

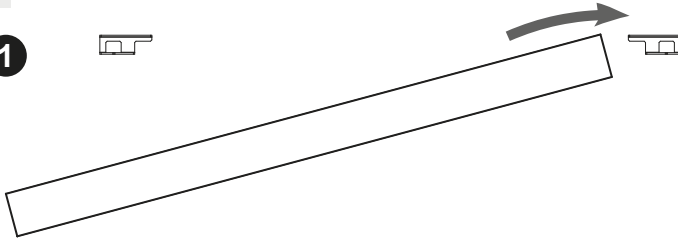


5

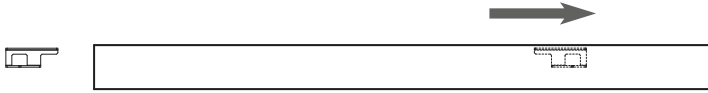


i

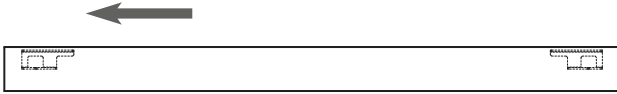
1



2

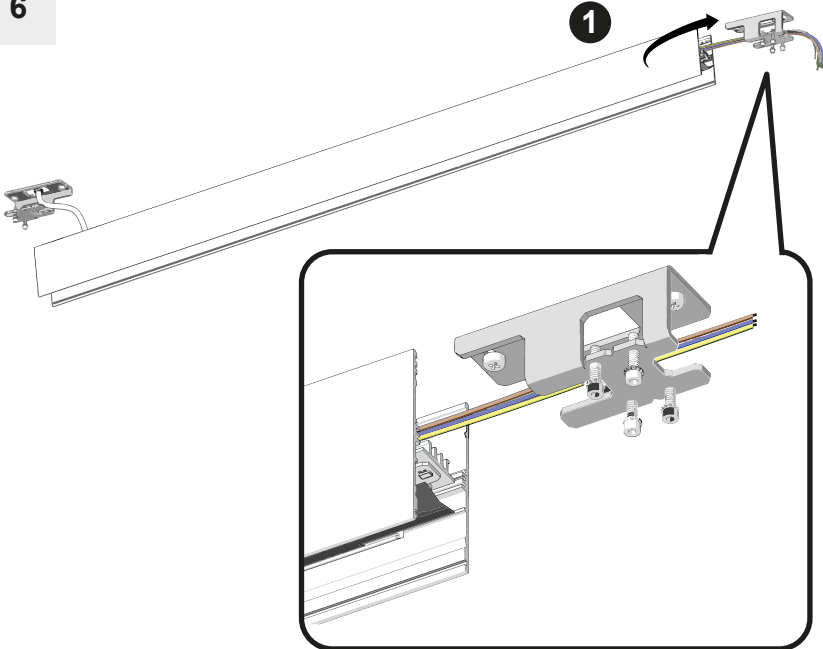


3



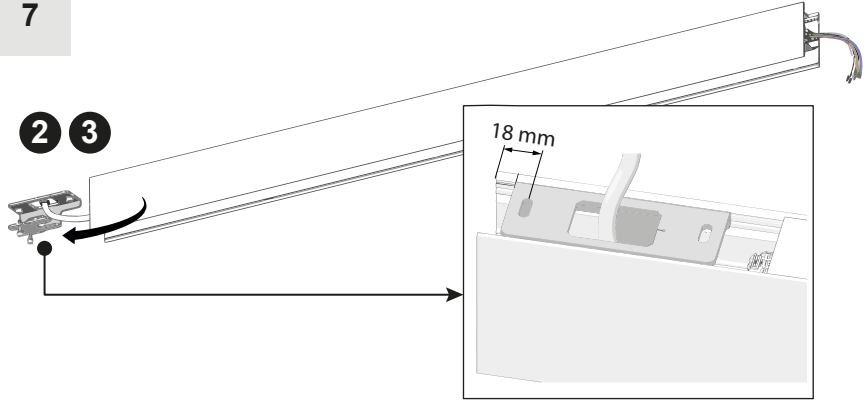
6

1



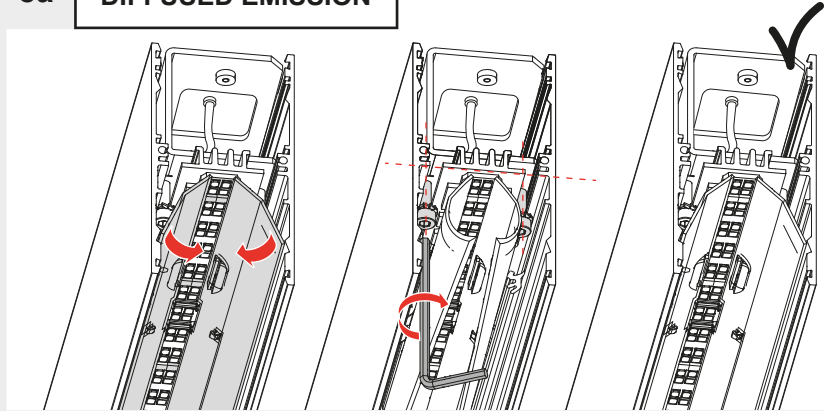
7

2 3



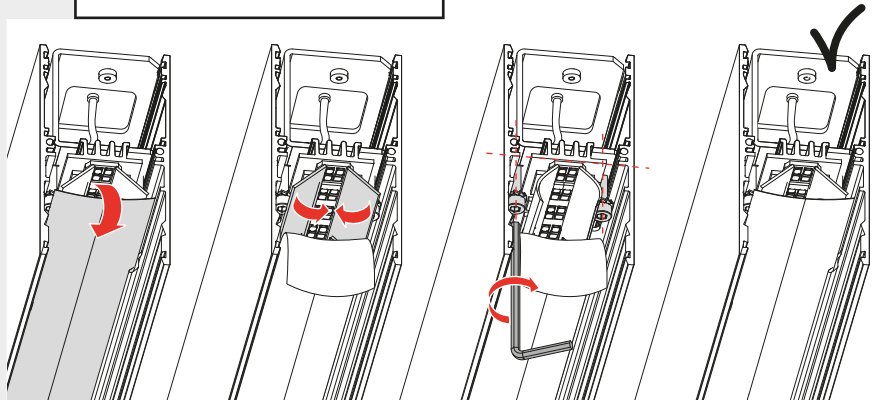
8a

DIFFUSED EMISSION

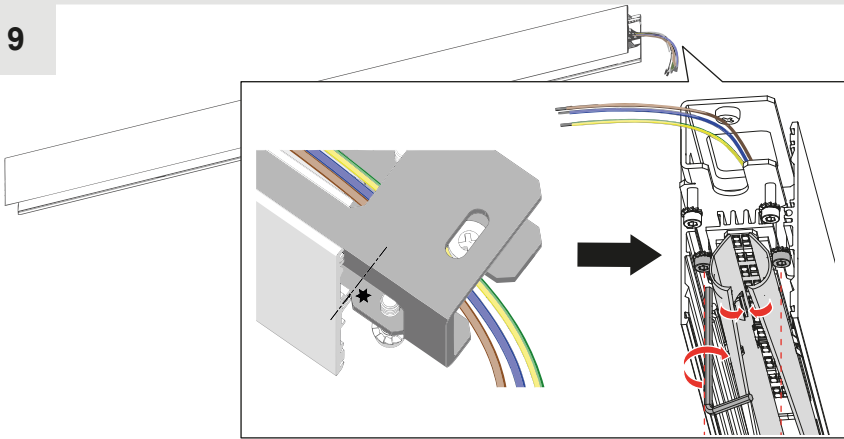


8b

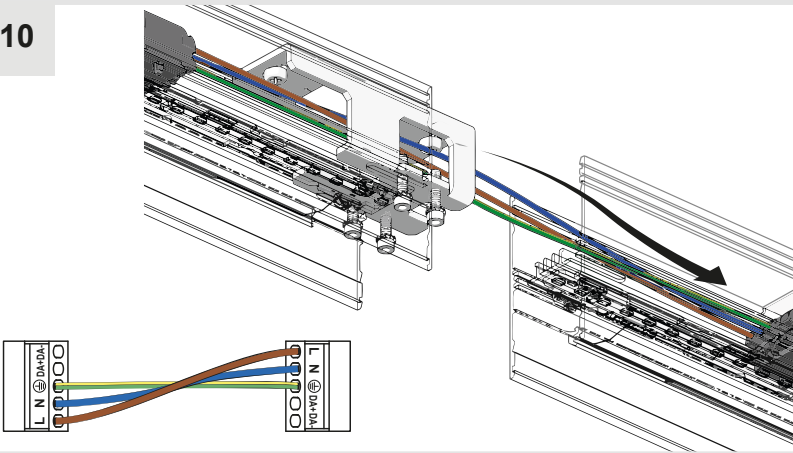
CONTROLLED EMISSION



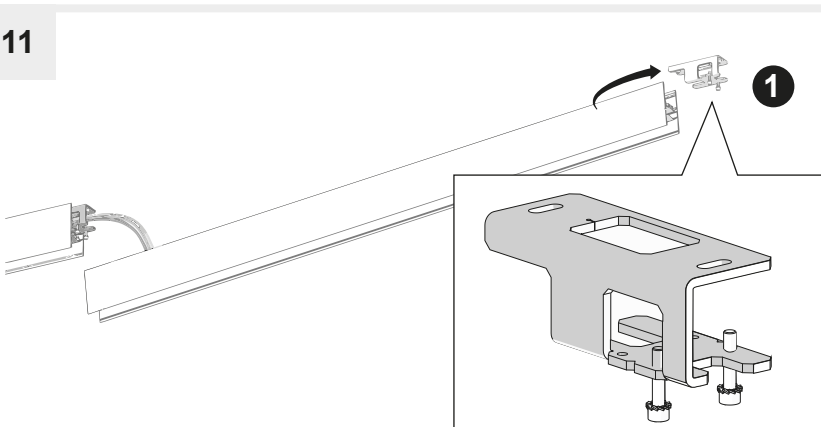
9



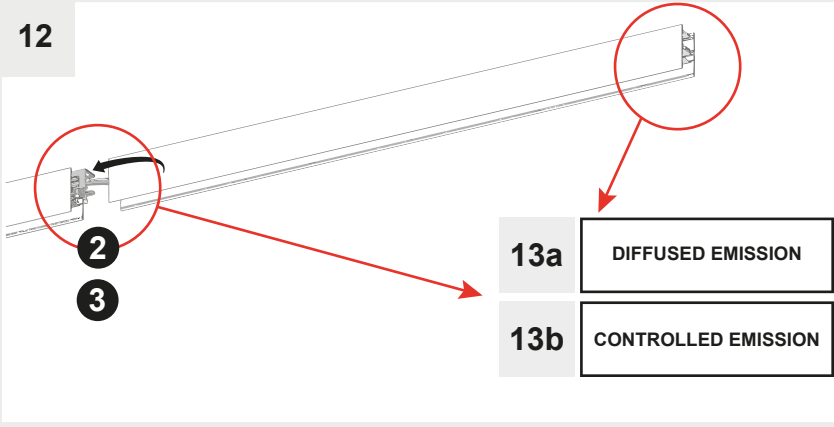
10



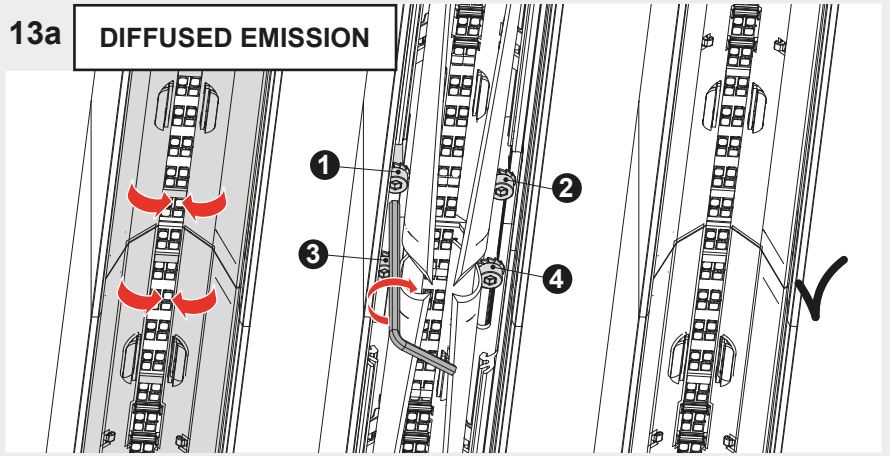
11



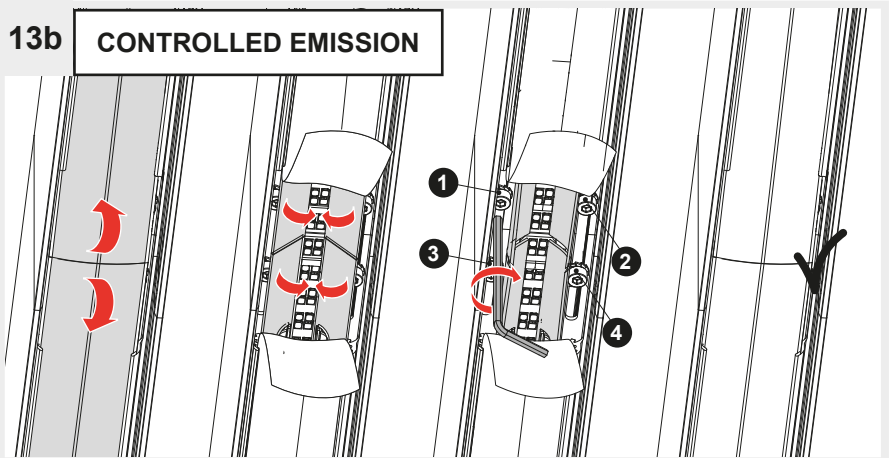
12



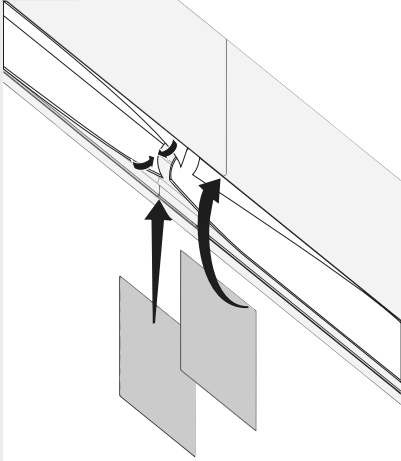
13a DIFFUSED EMISSION



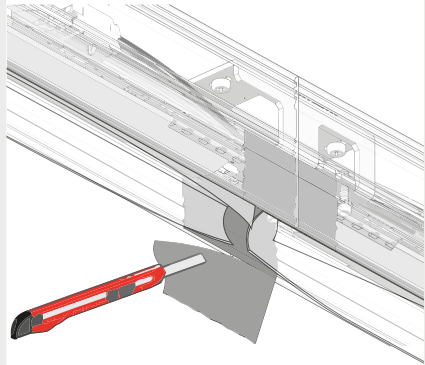
13b CONTROLLED EMISSION



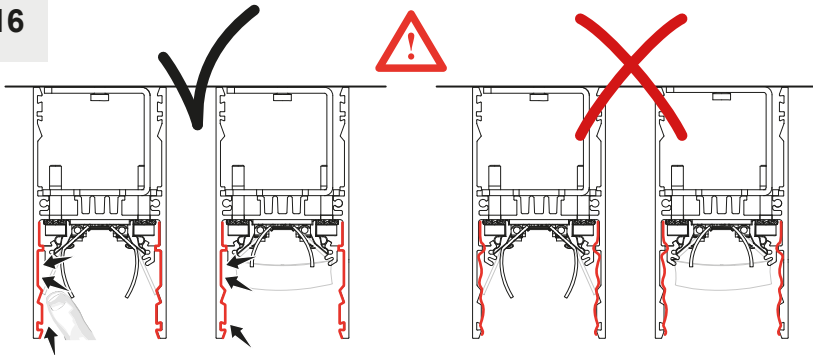
14



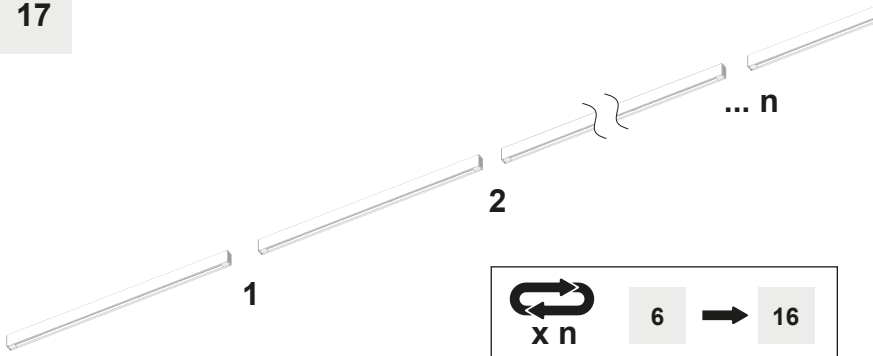
15



16

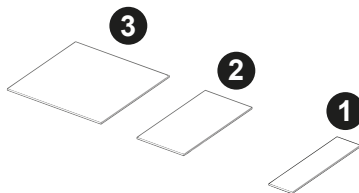
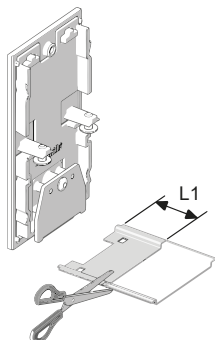


17



18**Only for DIFFUSED EMISSION**

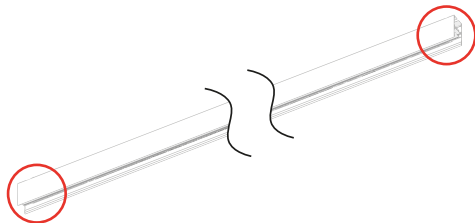
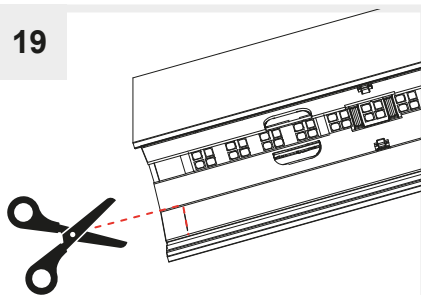
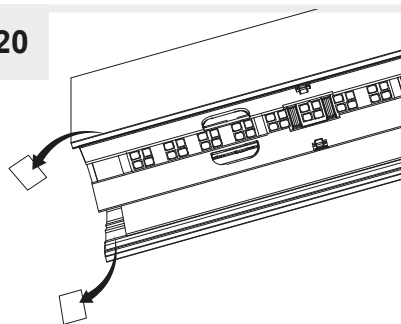
L Tot [mm]	Type	L1 [mm]
1.184 ÷ 2.368	1	10
2.368 ÷ 10.000	2	20
10.000 ÷ 30.000	3	40

**i****DIFFUSED EMISSION**

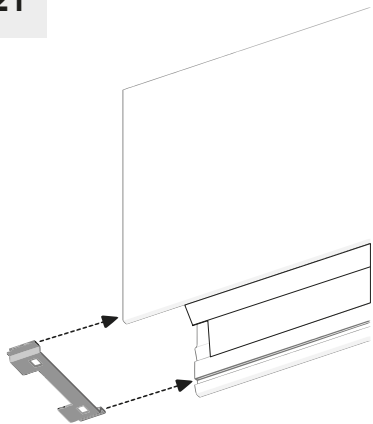
19 → 26

CONTROLLED EMISSION

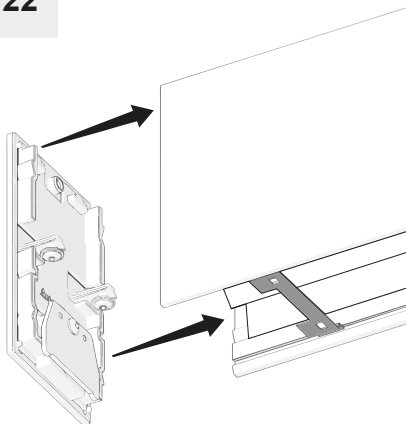
27 → 28

**19****20**

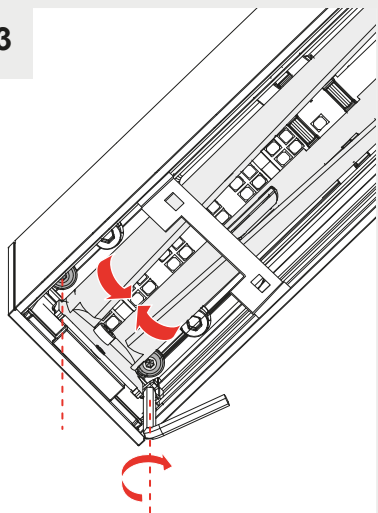
21



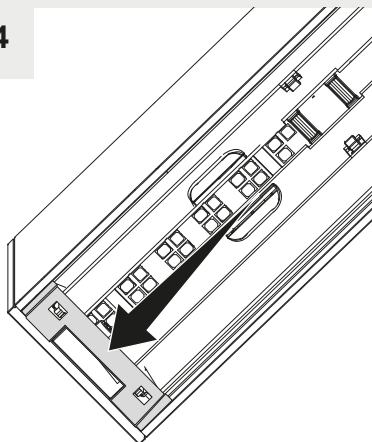
22



23

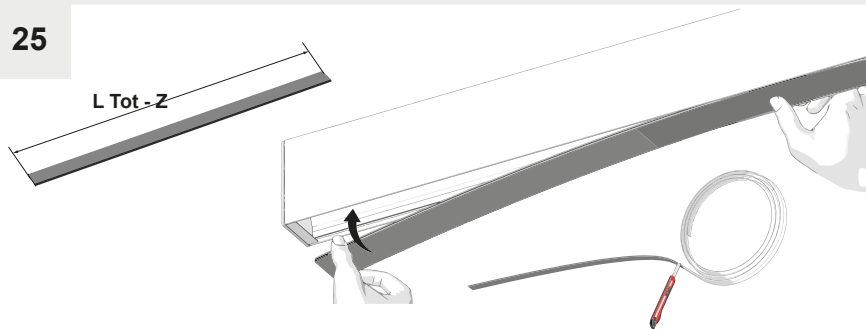




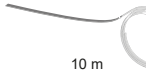
24

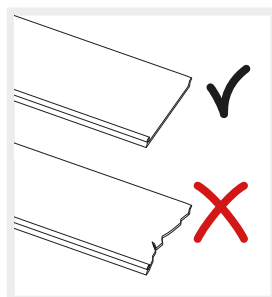
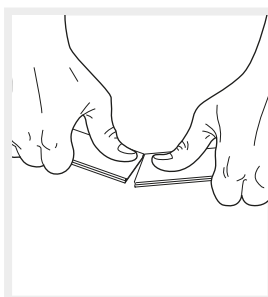
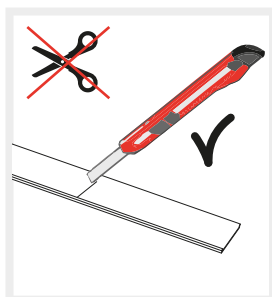


25

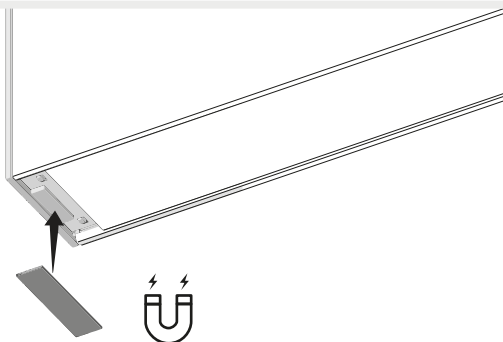
L Tot - Z



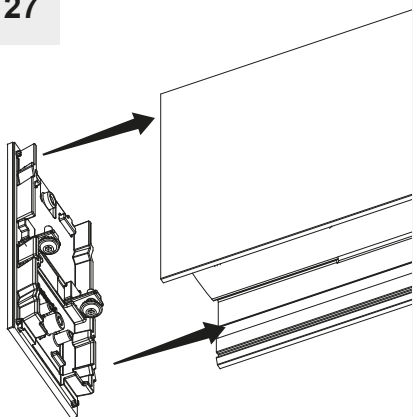
L Tot [mm]			Z [mm]
1184	1184 mm	✗	~7
1480	2368 mm	✓	~7
2368	2368 mm	✗	~7
2960	2960 [mm]	✗	~7
2960 + 10000		✓	~15
10001 + 30000		✓	~35



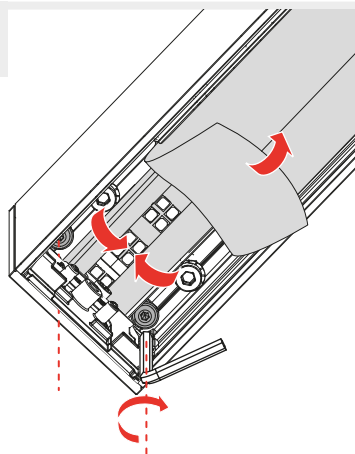
26



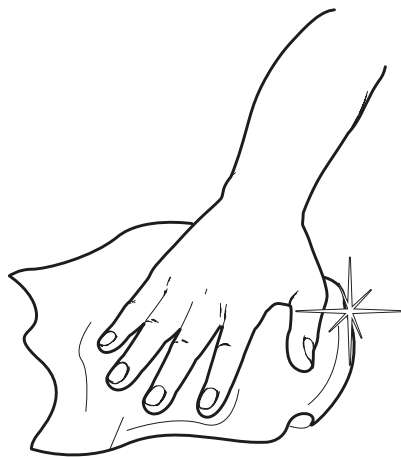
27



28



Y503300215





Artemide Spa

via Bergamo, 18
20010 Pregnana M.se (MI)
ITALIA

Tel. +39 02 935 181
Fax +39 02 935 90 254
Fax +39 02 935 90 496

www.artemide.com

VAT IT00846890150

cod. Y513001383A