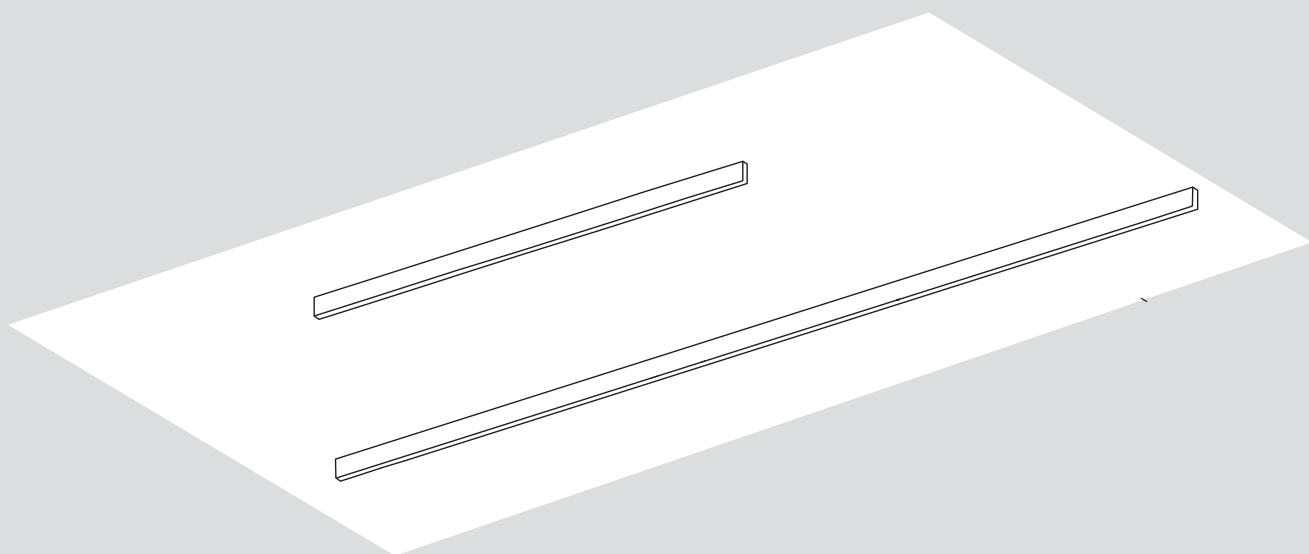


## Algoritmo System Mechanical Components

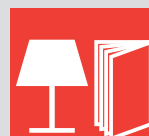
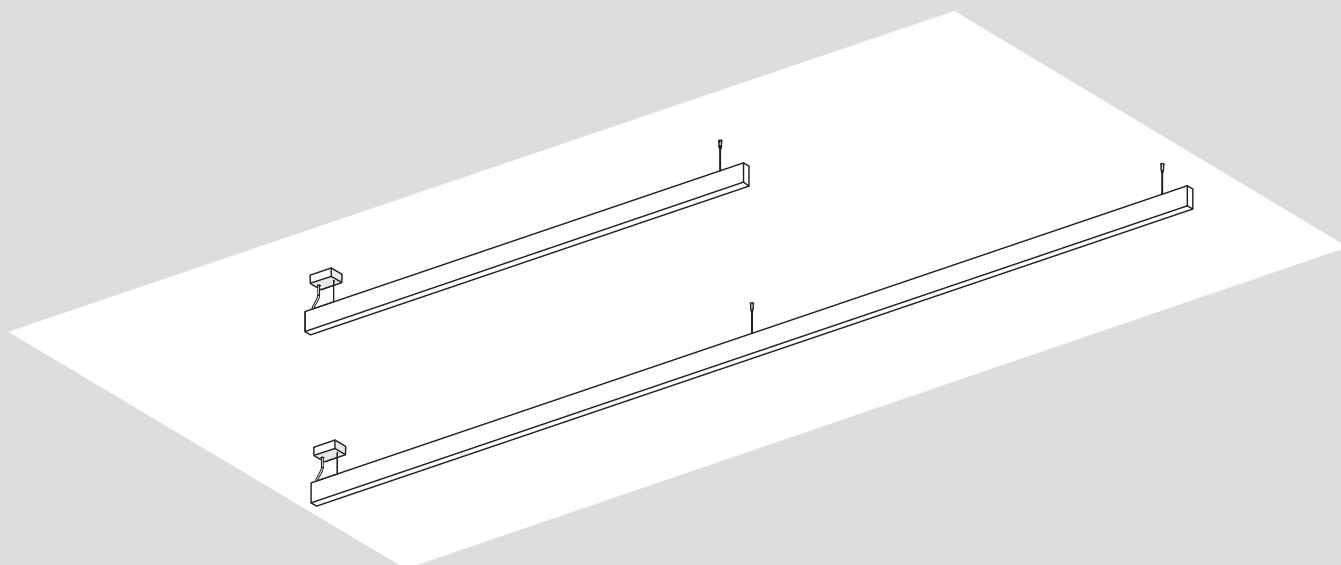
design  
C. de Bevilacqua



CEILING

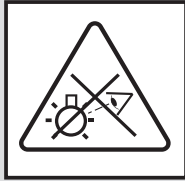
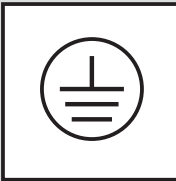


SUSPENSION

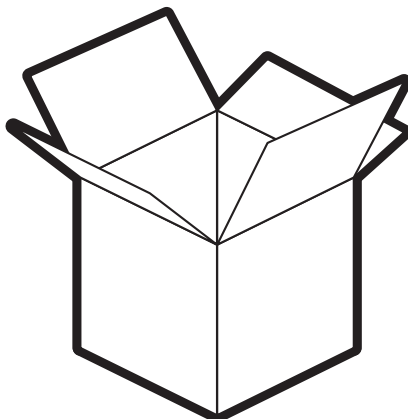
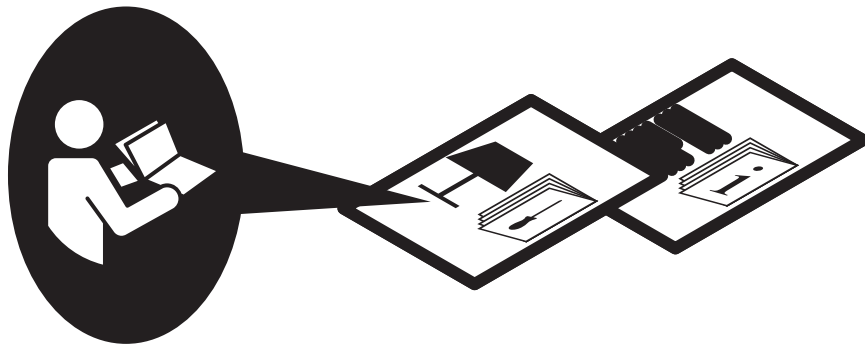
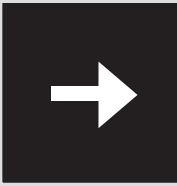
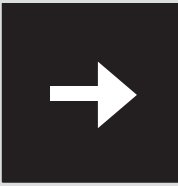




i



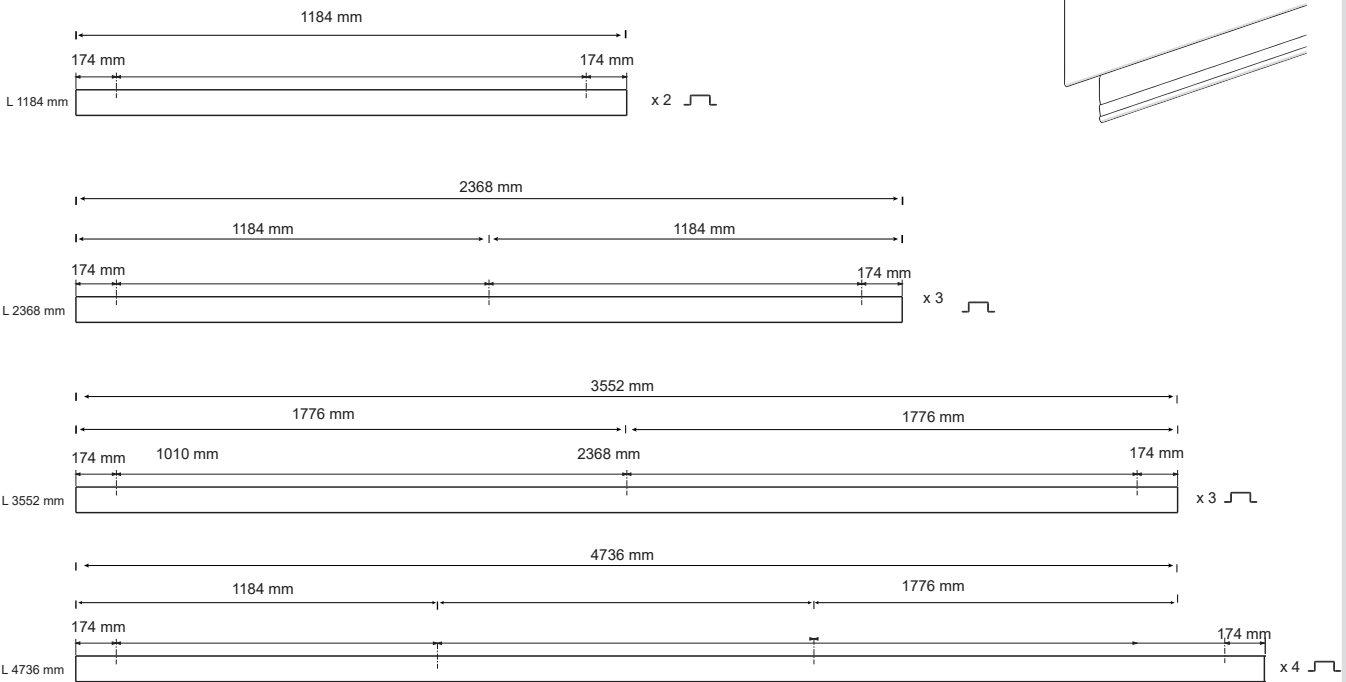
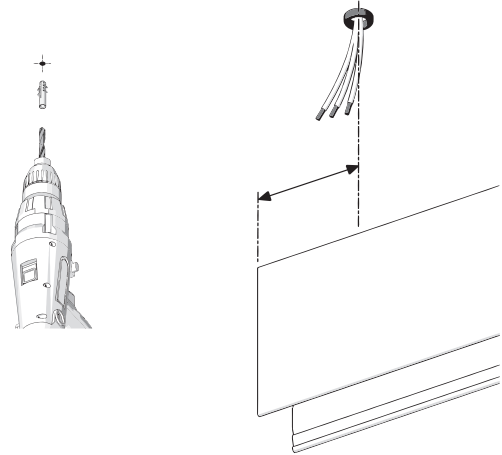
**LED 1**  
from  
Dthr 0.5 m



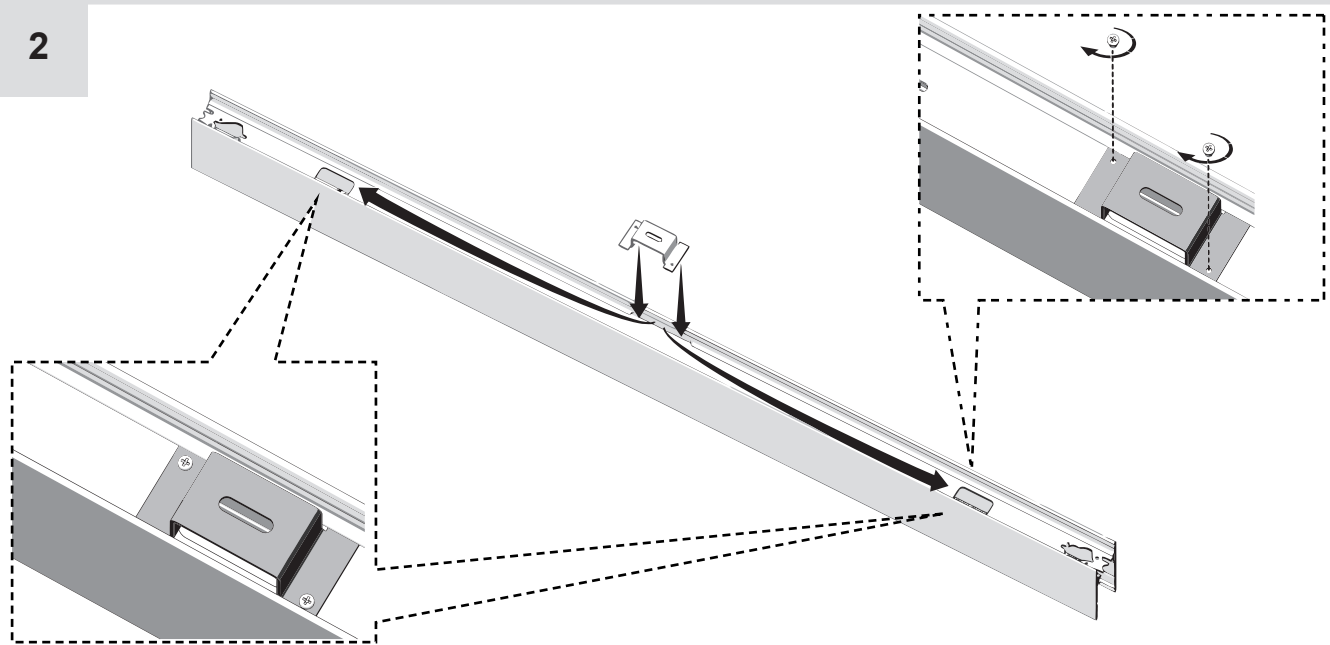


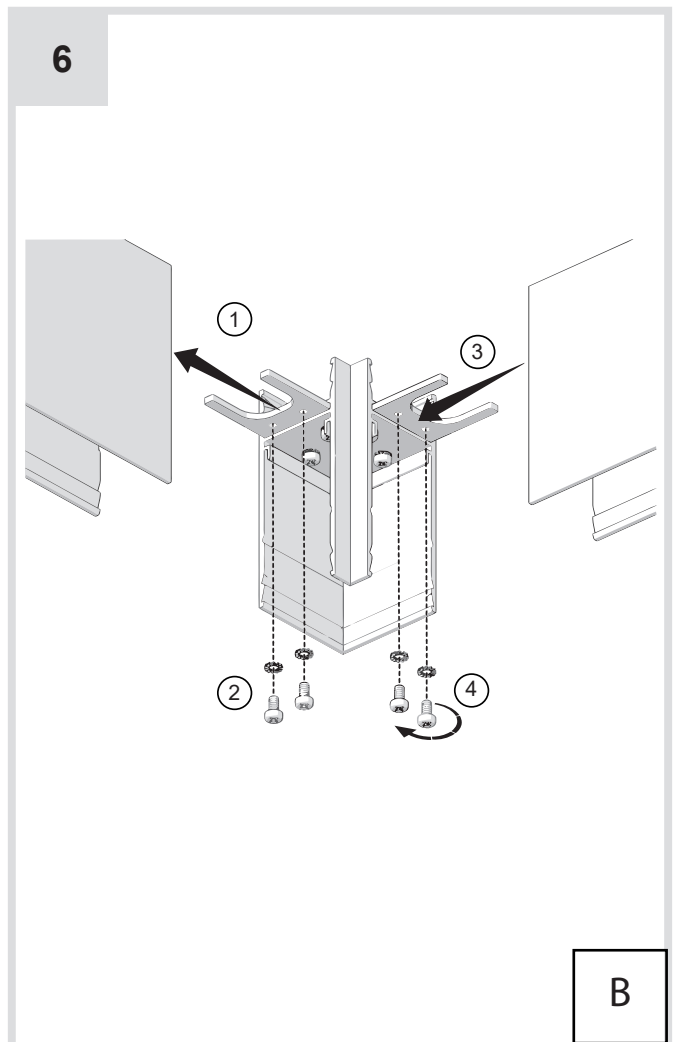
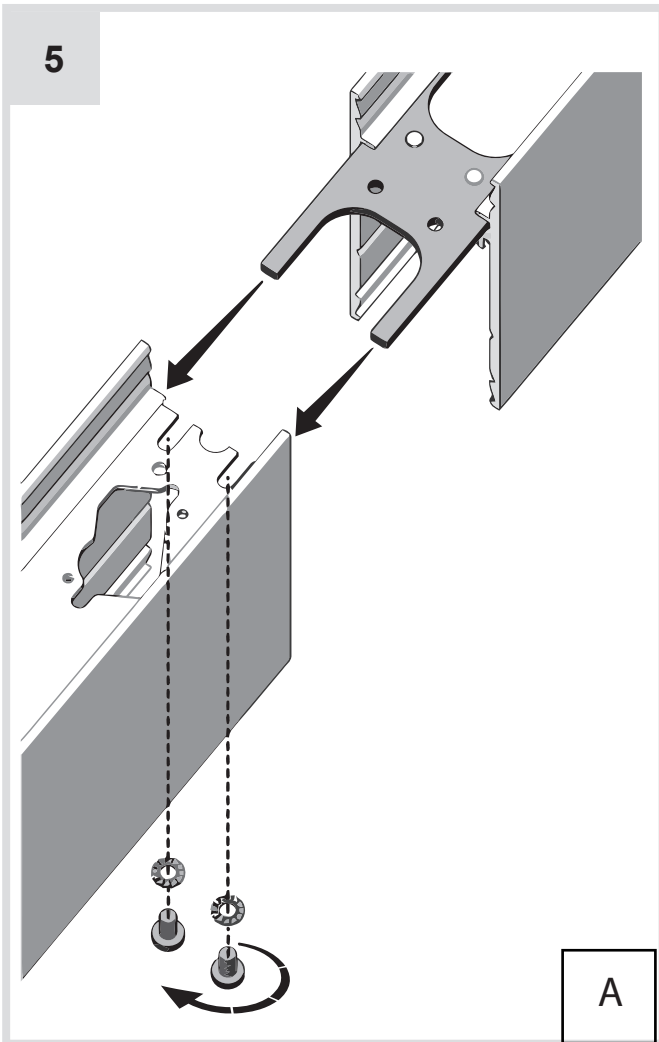
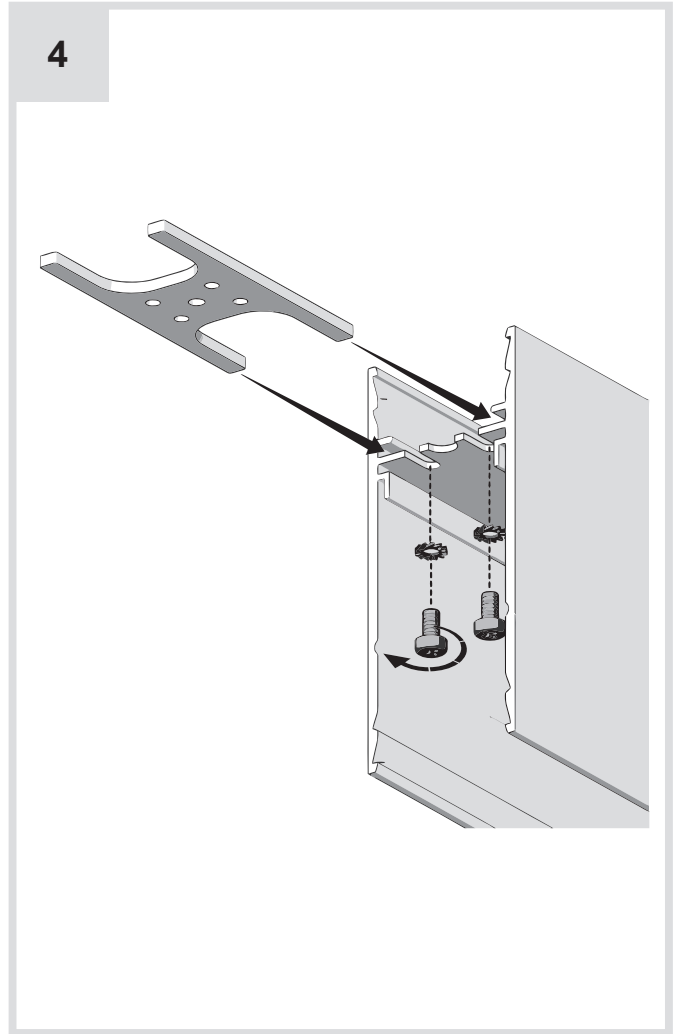
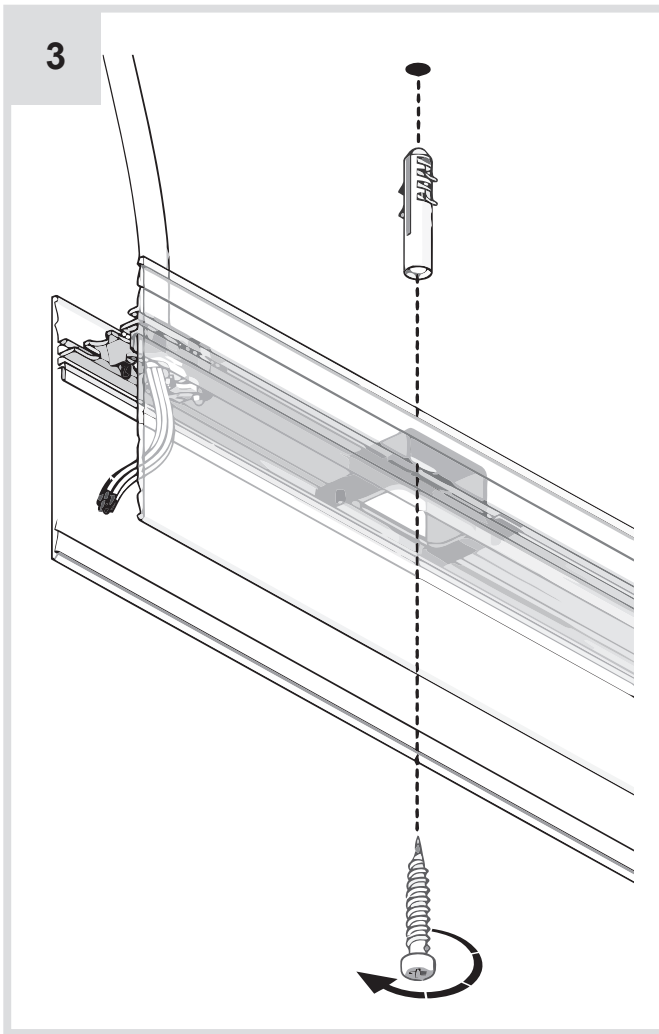
# Algoritmo ceiling

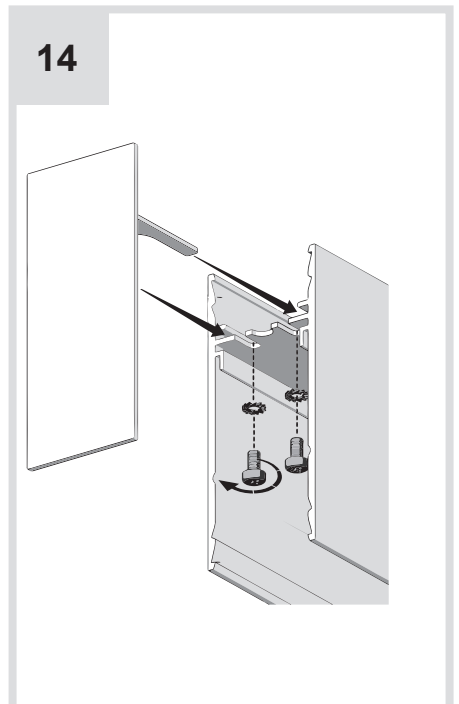
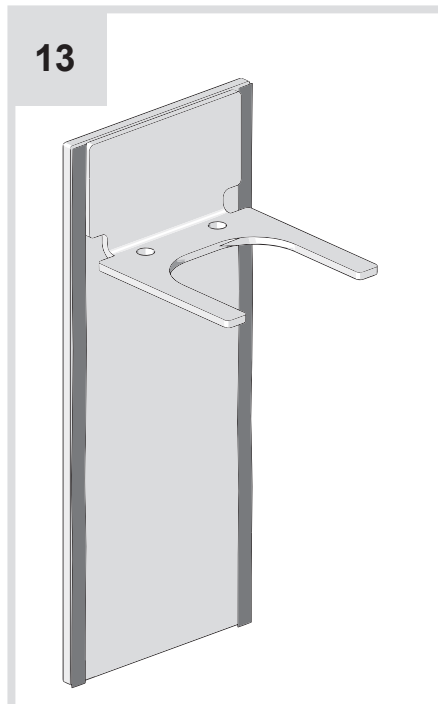
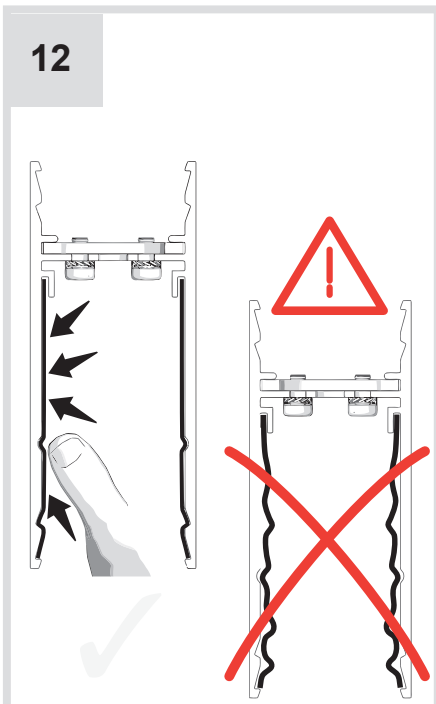
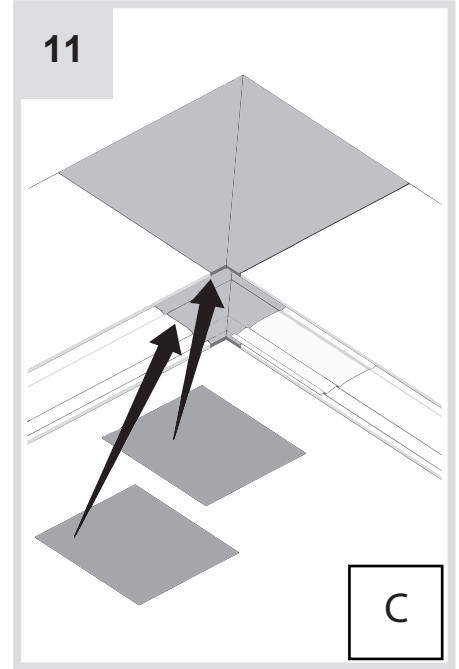
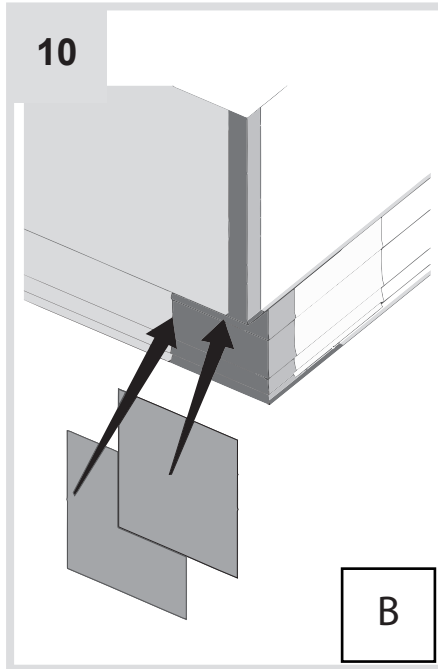
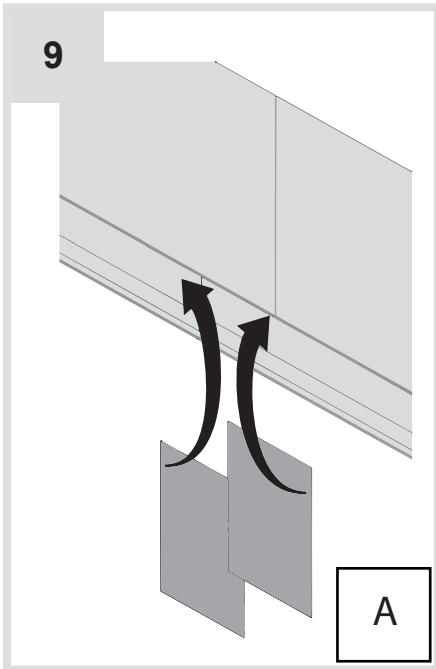
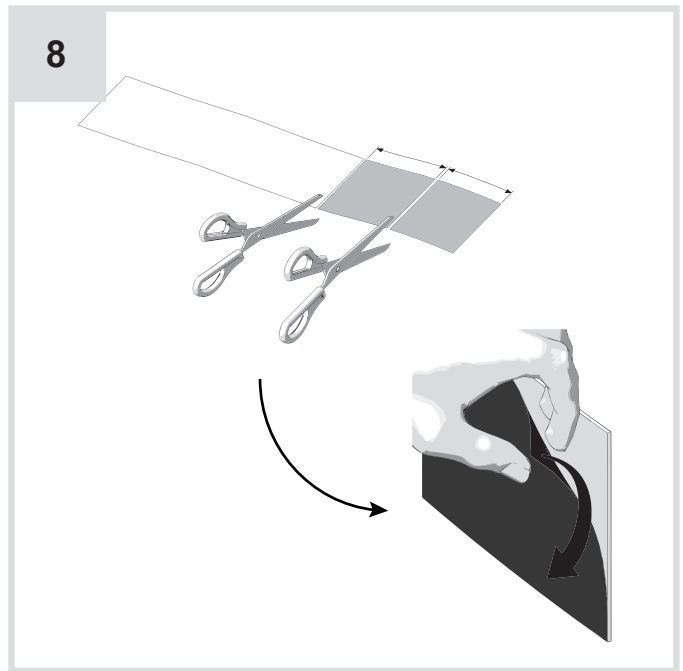
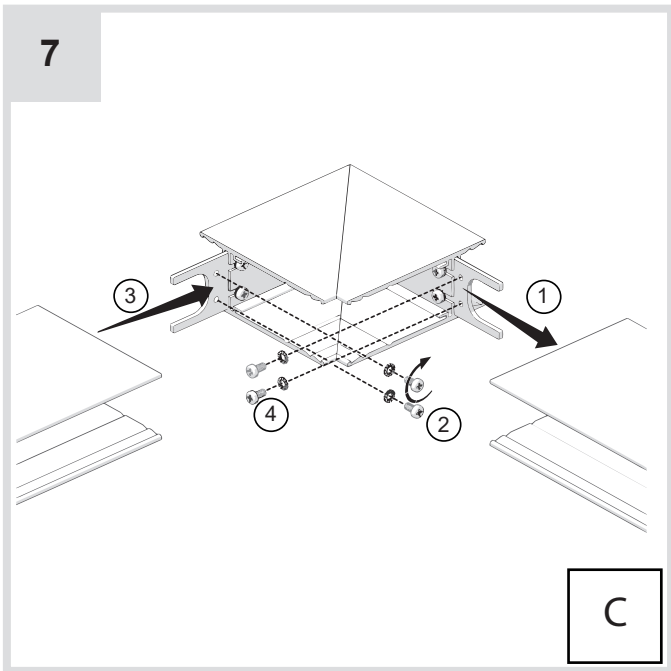
1



2



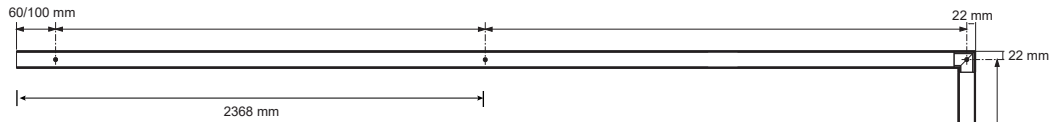
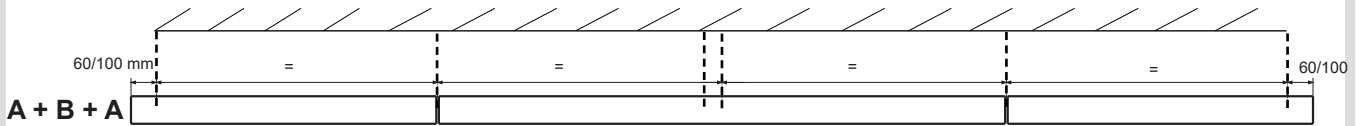
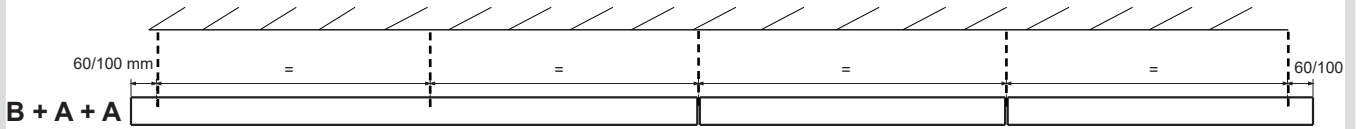
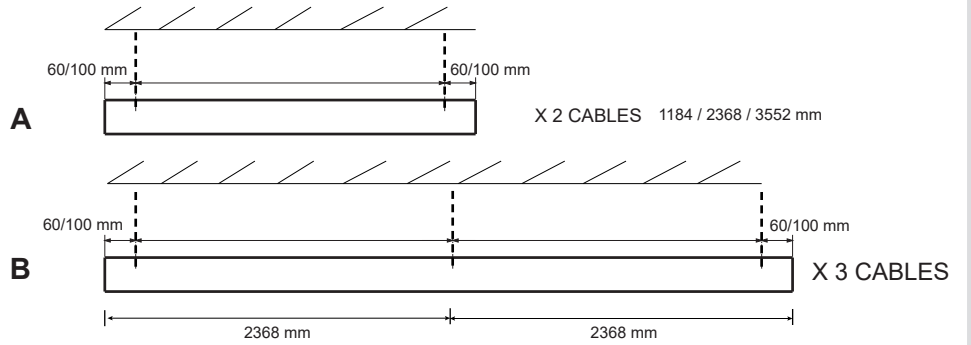




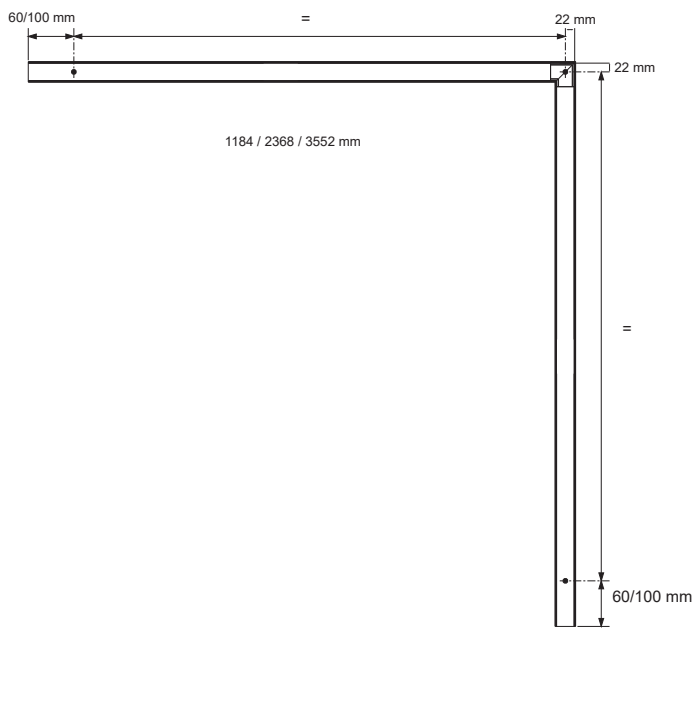


# Algoritmo suspension

1

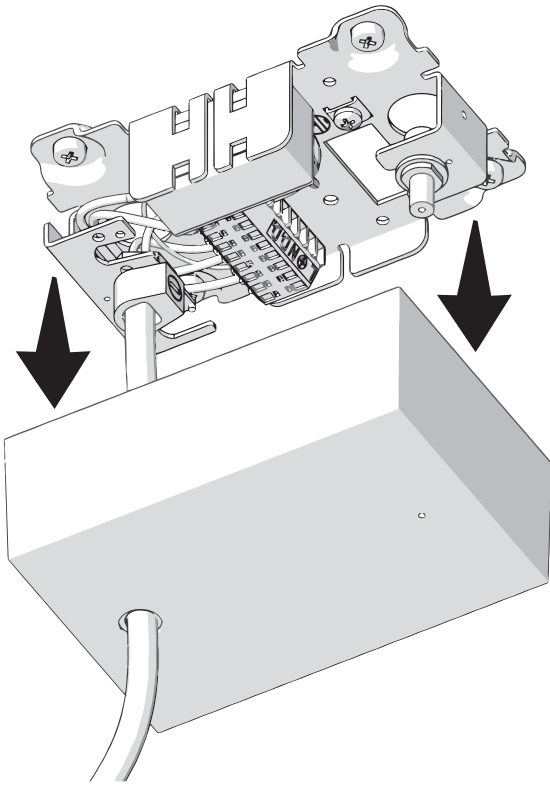


4736 mm

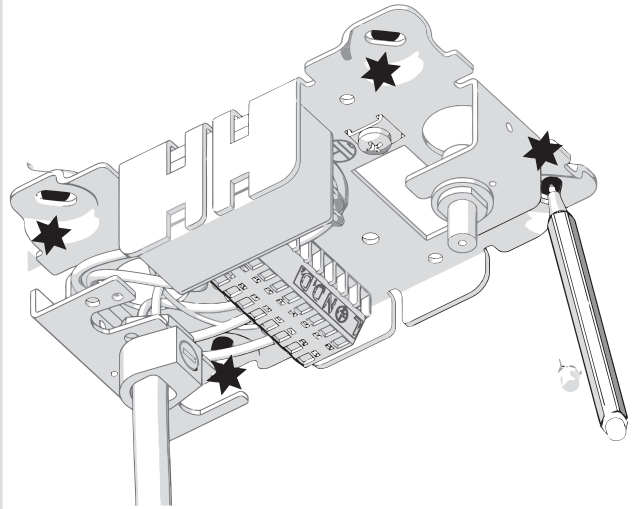


2368 mm

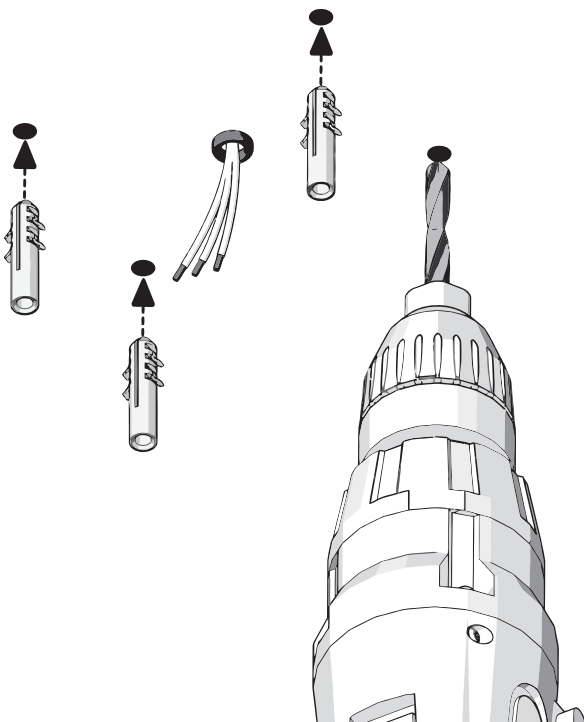
2



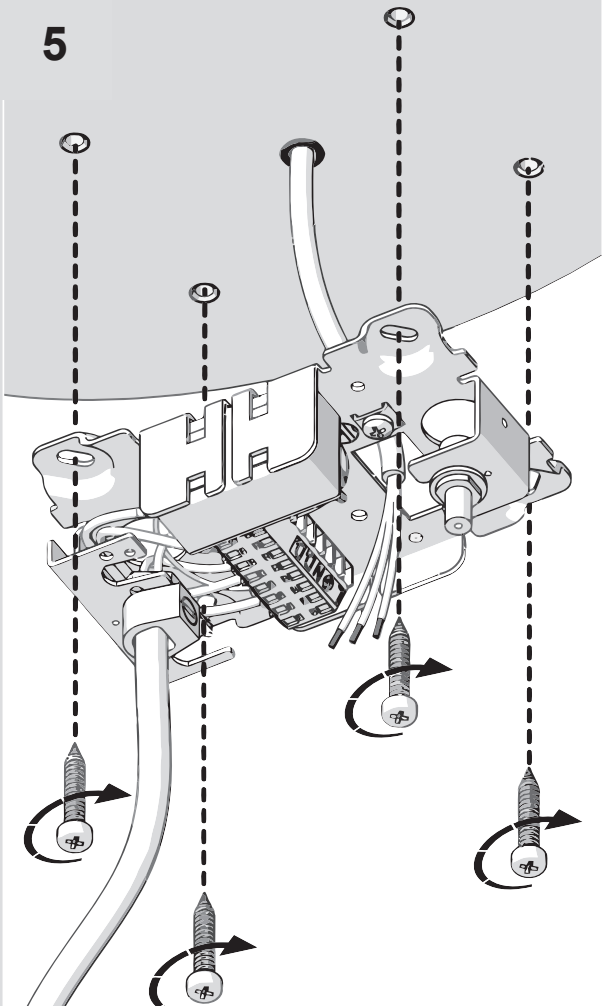
3



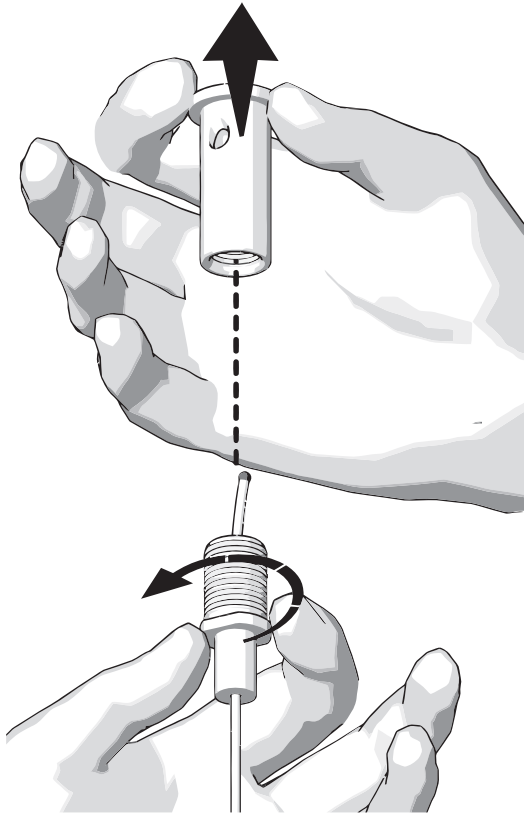
4



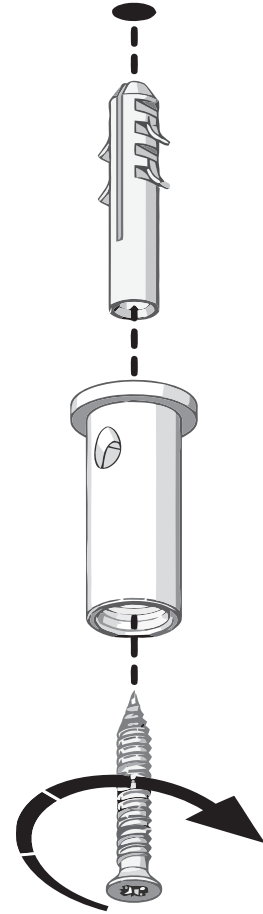
5



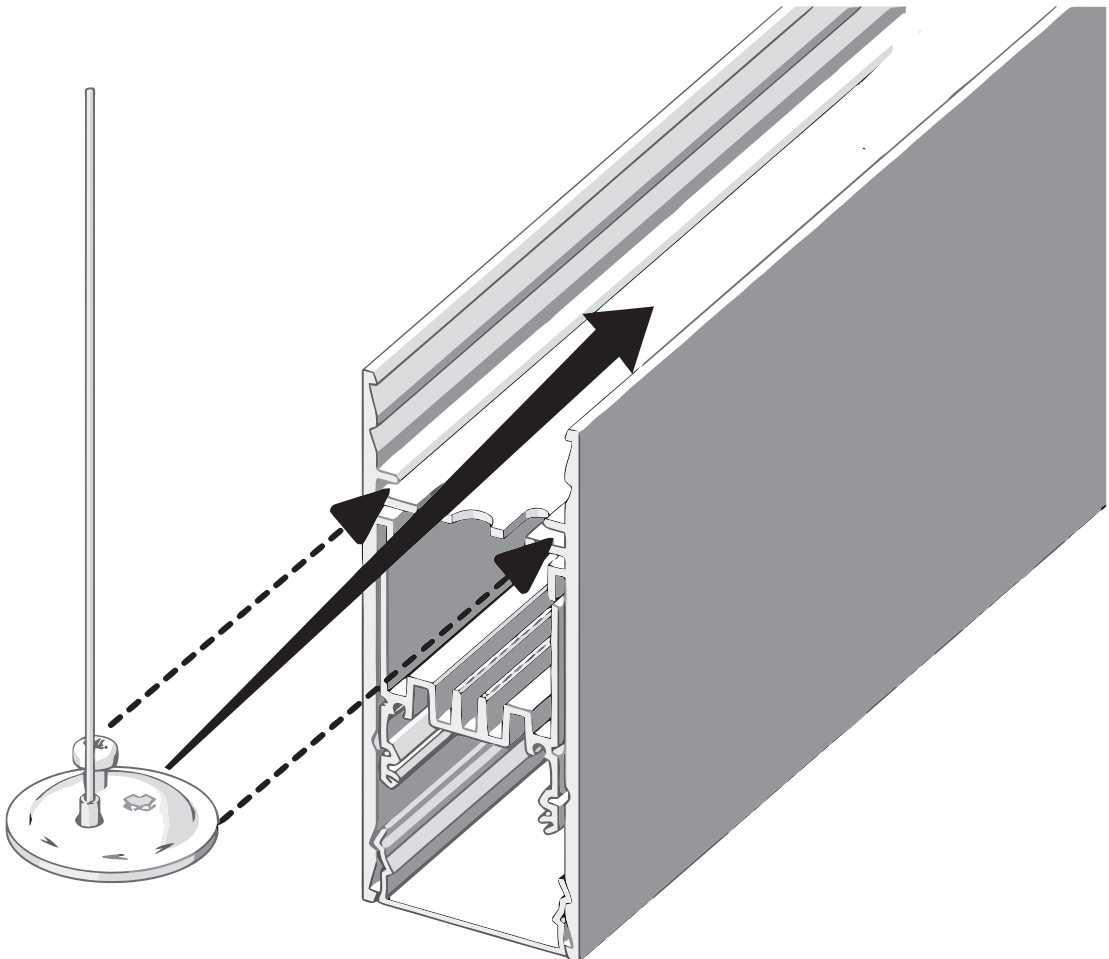
6



7

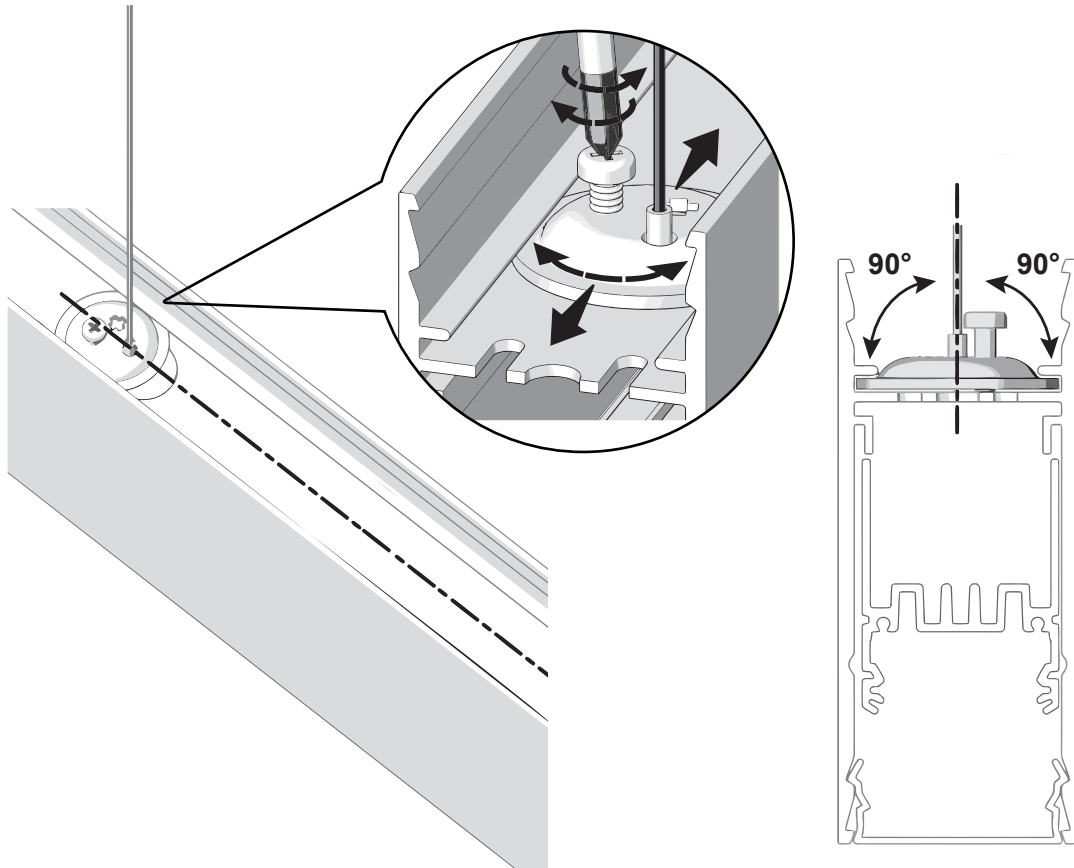


8

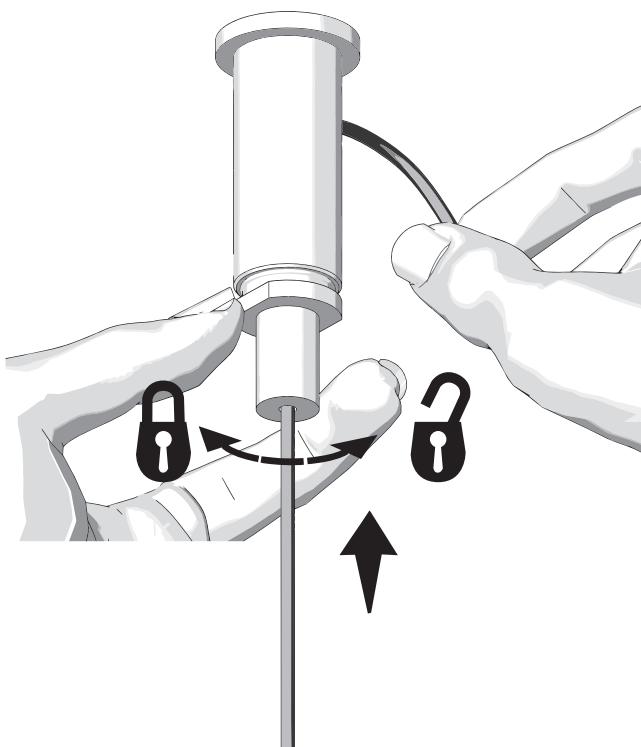




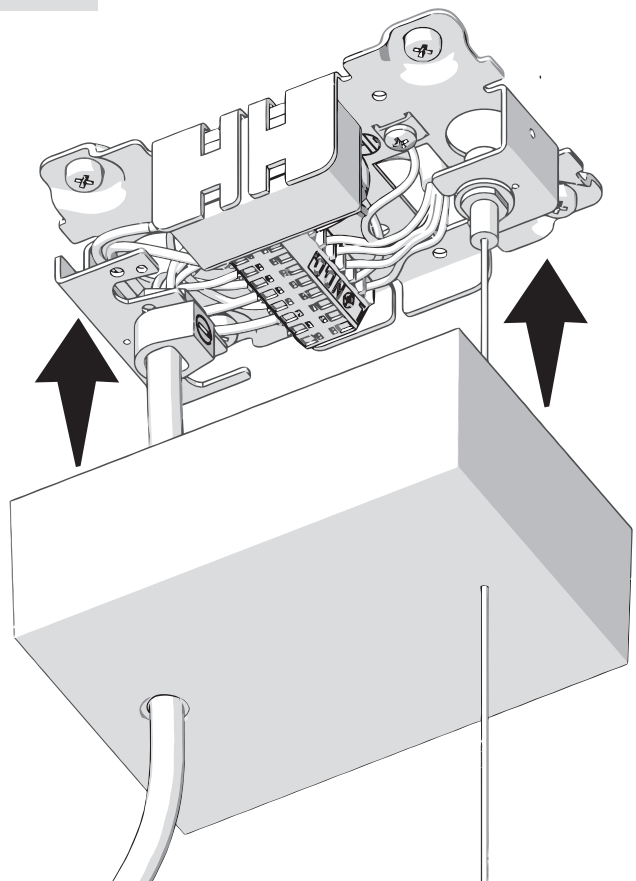
9



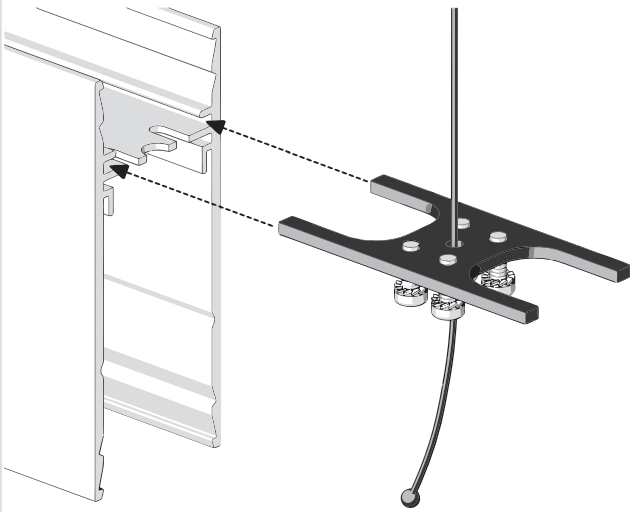
10



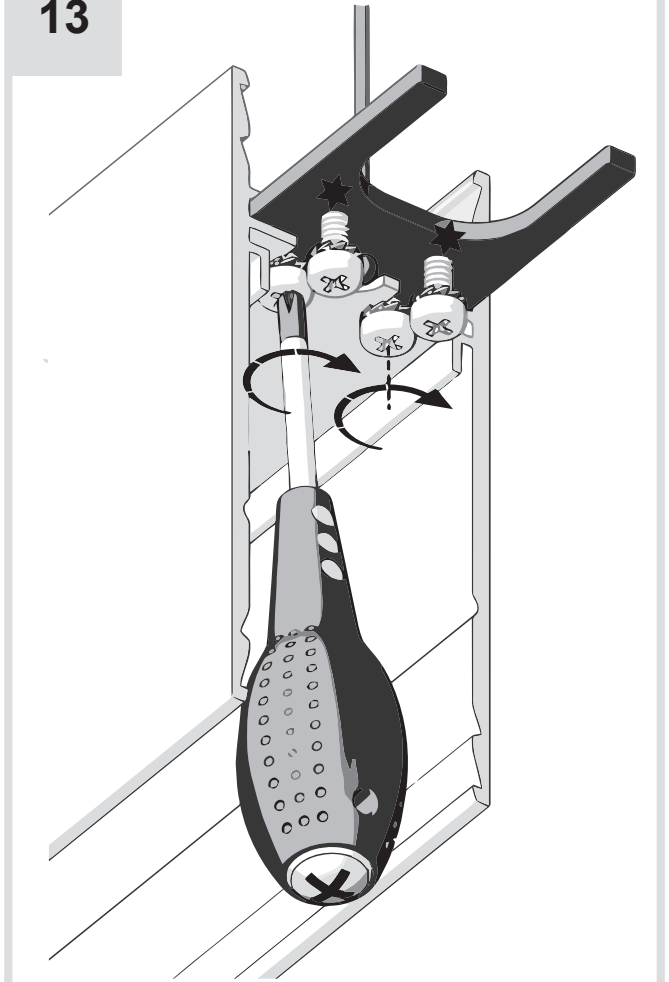
11



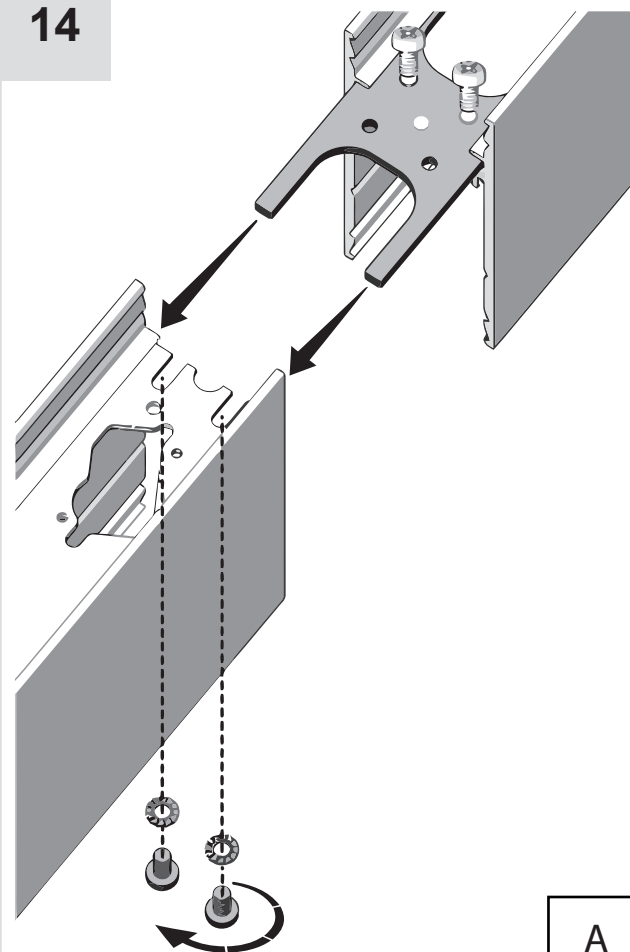
12



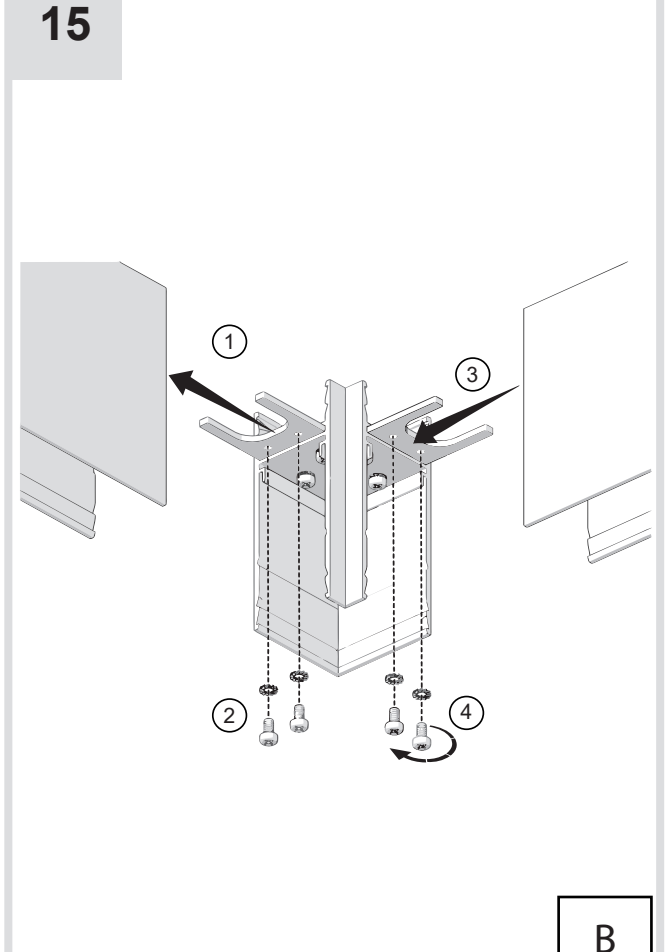
13



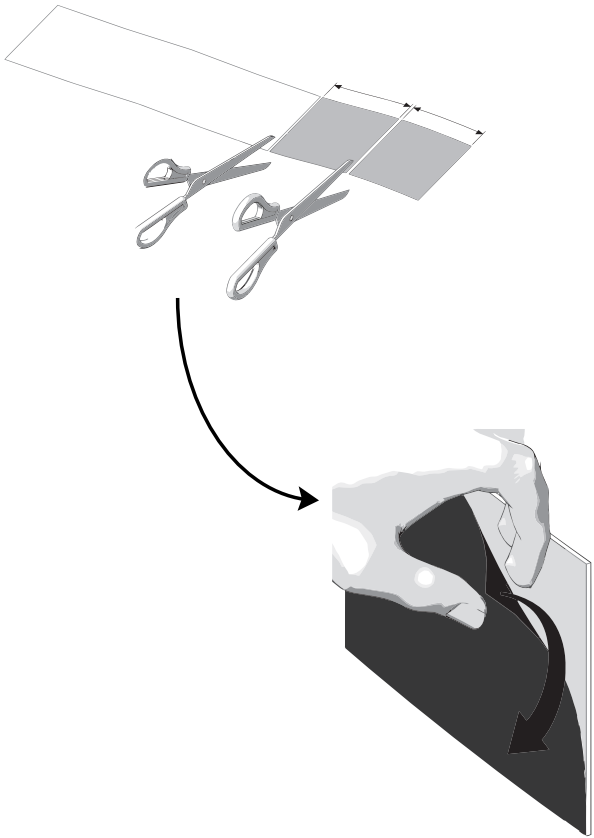
14



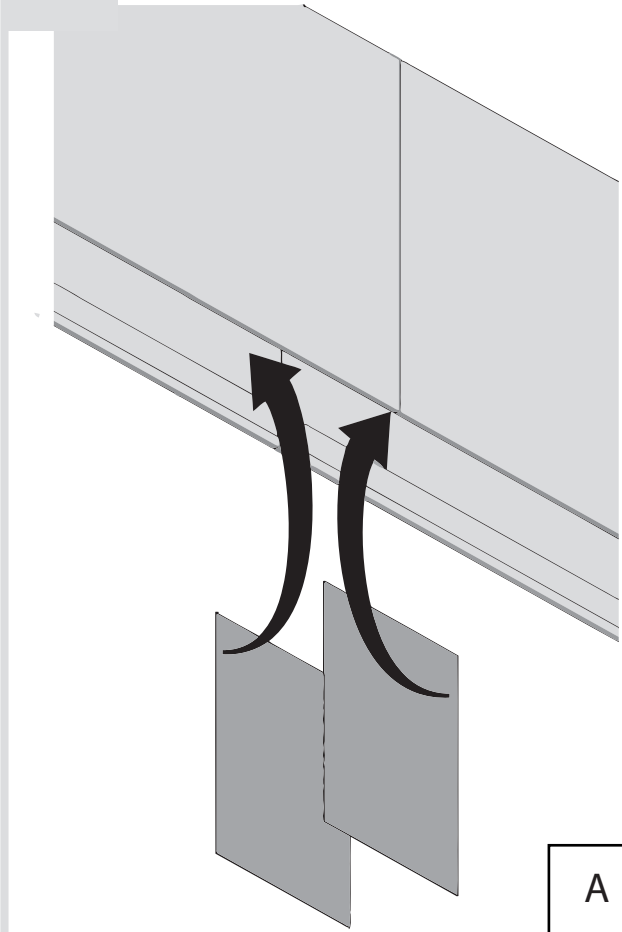
15



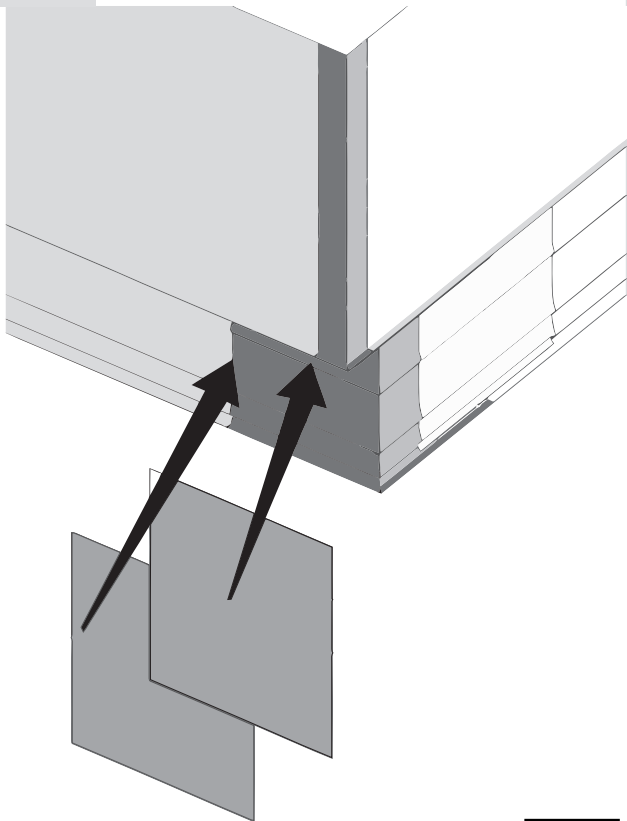
16



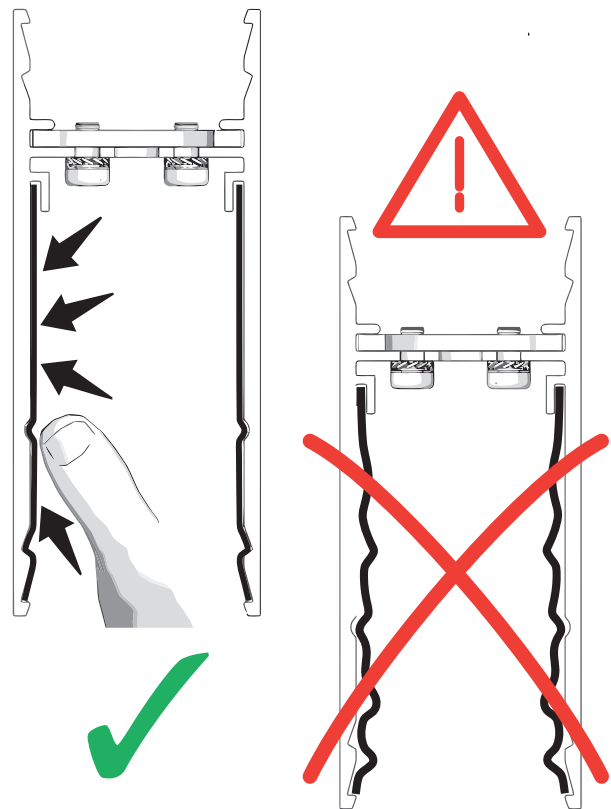
17



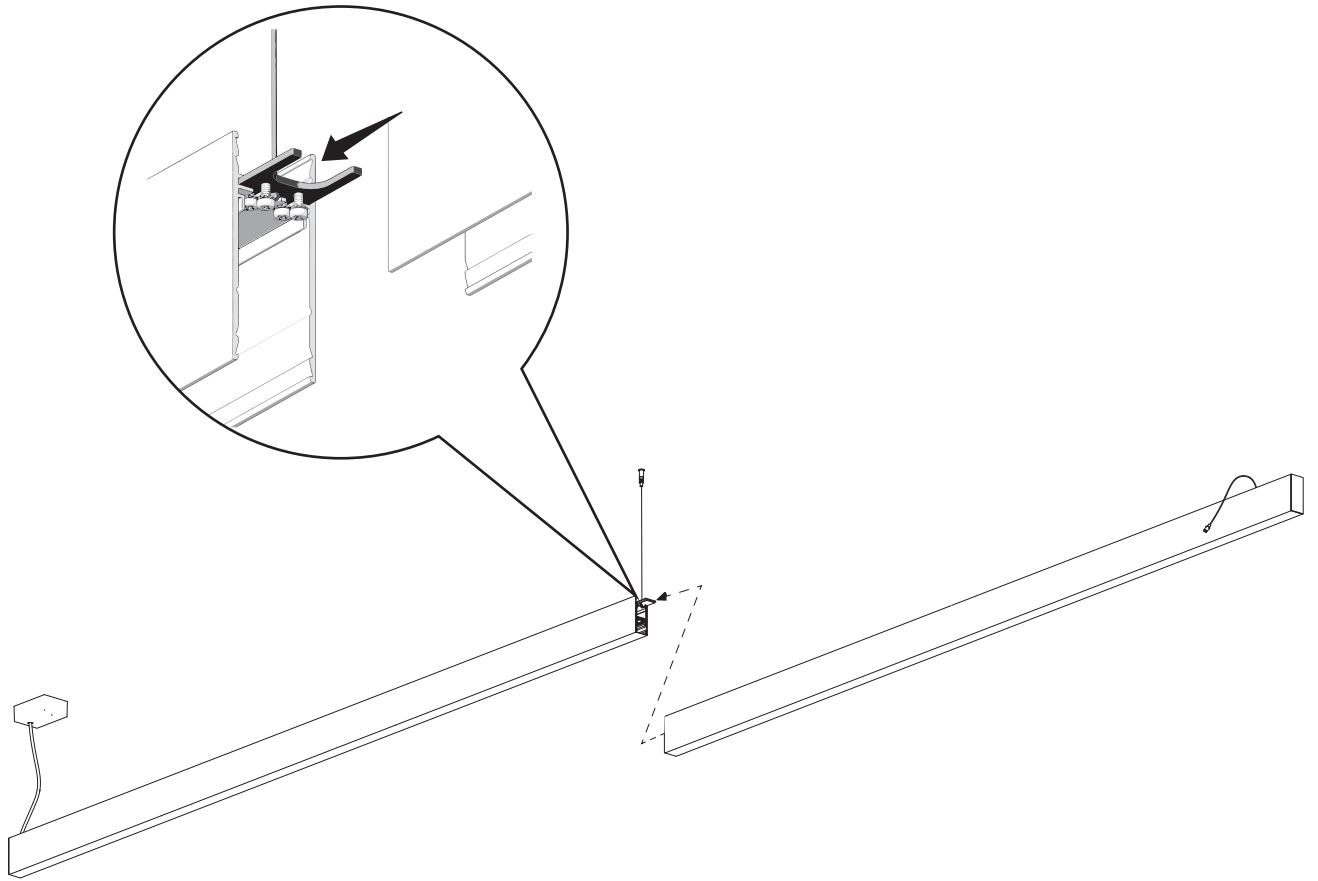
18



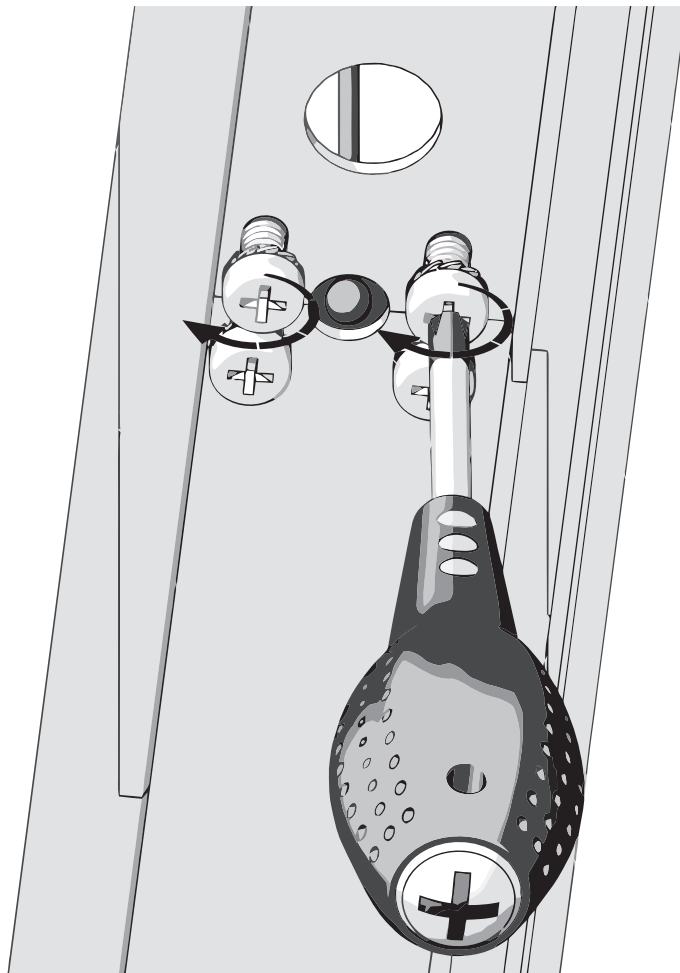
19



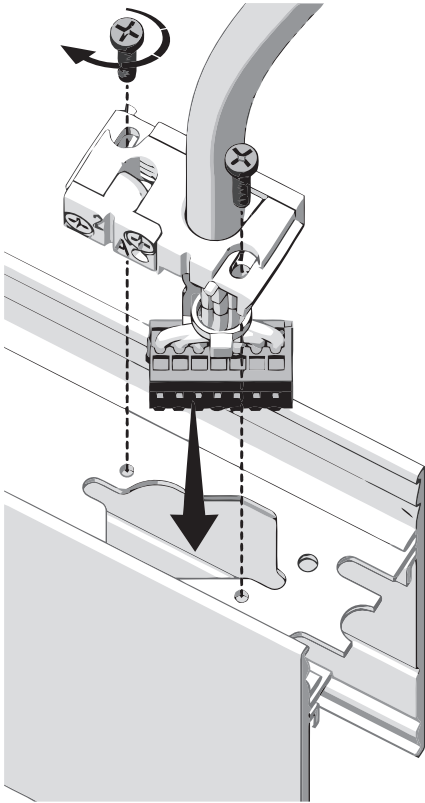
20



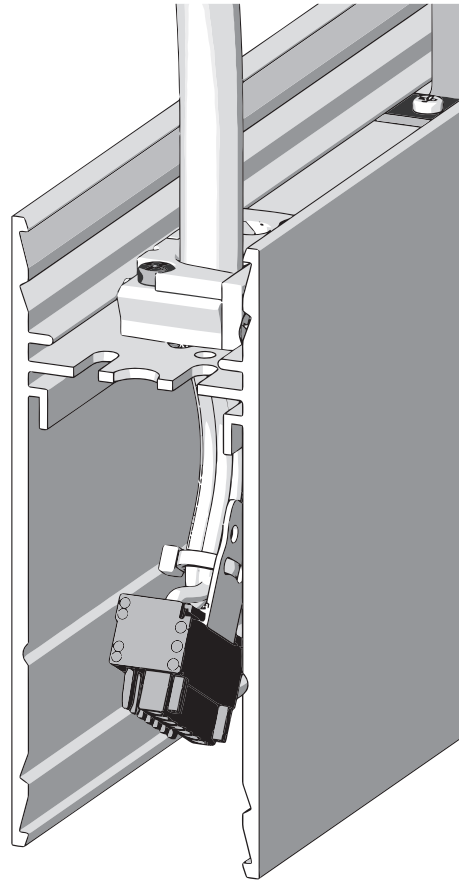
21



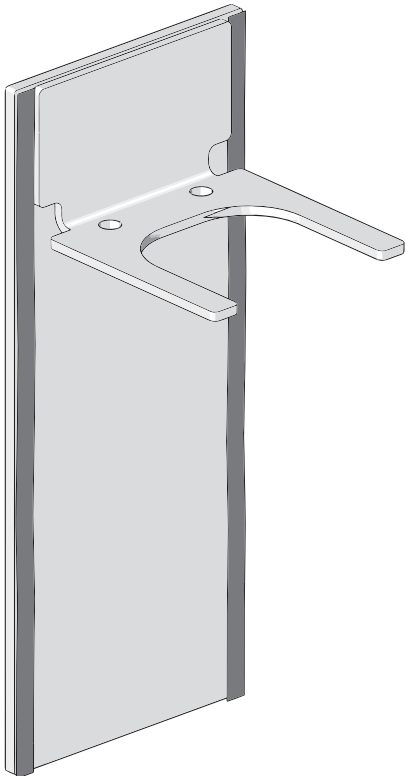
22



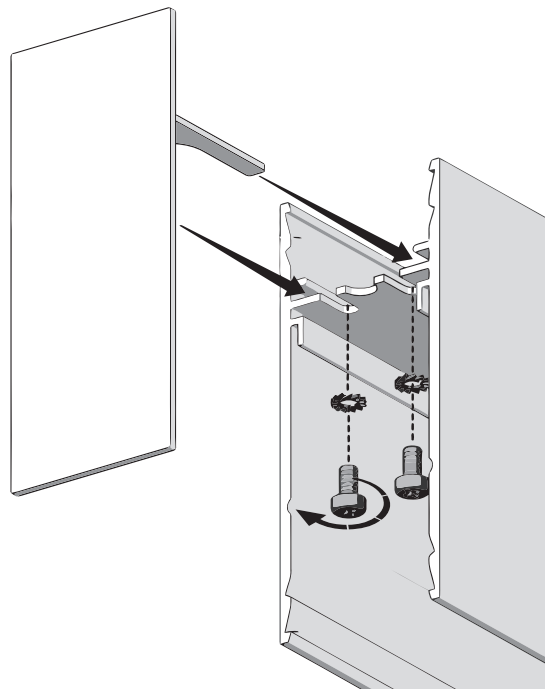
23

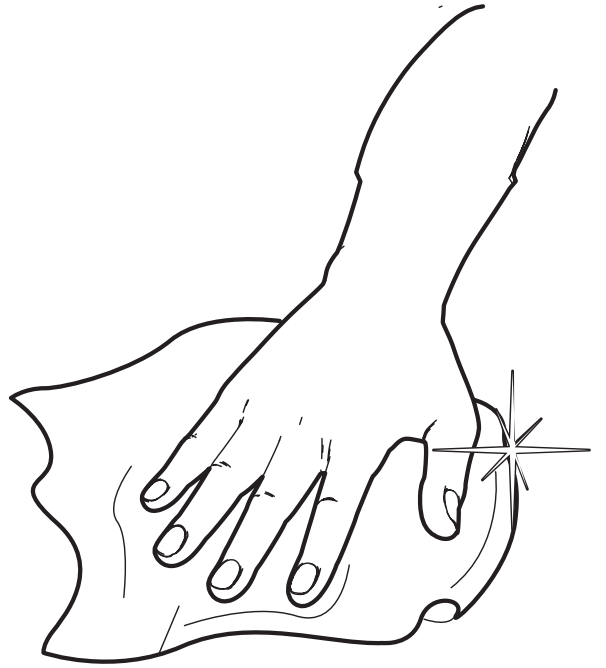
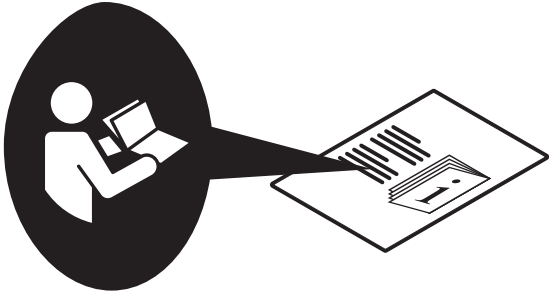


24



25









## **Artemide Spa**

via Bergamo, 18  
20010 Pregnana M.se (MI)  
ITALIA

Tel. +39 02 935 181  
Fax +39 02 935 90 254  
Fax +39 02 935 90 496

[www.artemide.com](http://www.artemide.com)

VAT IT00846890150

cod. Y513003059A