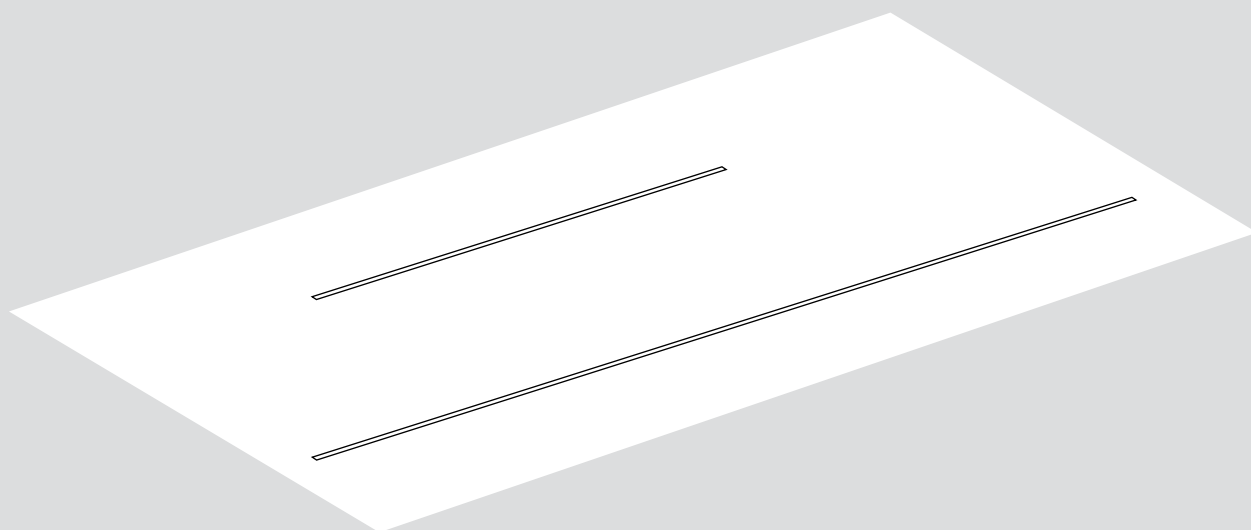
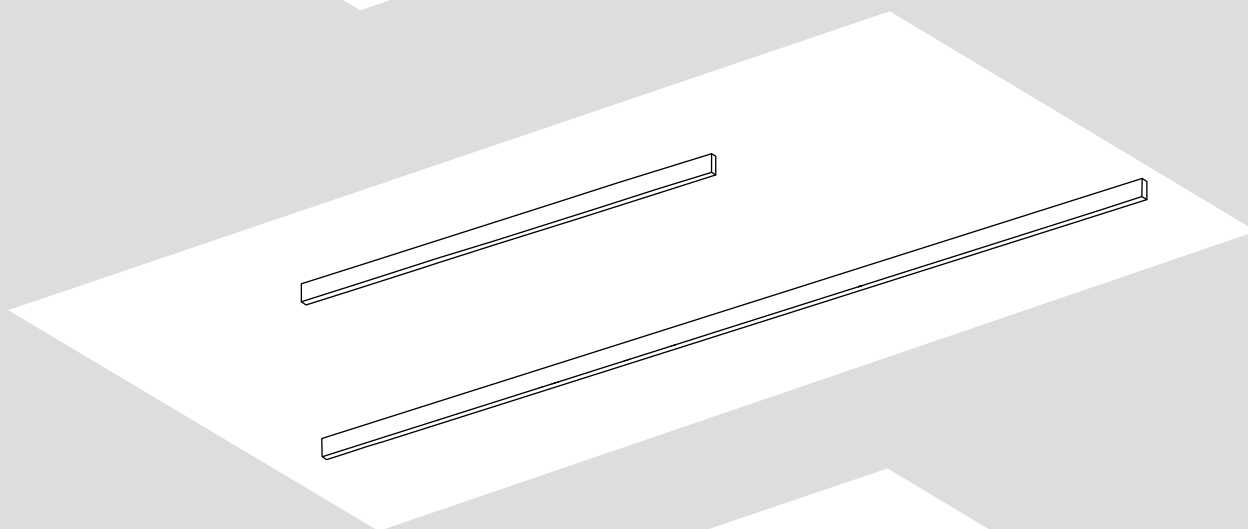


Algoritmo System Electrical Components and Accessories

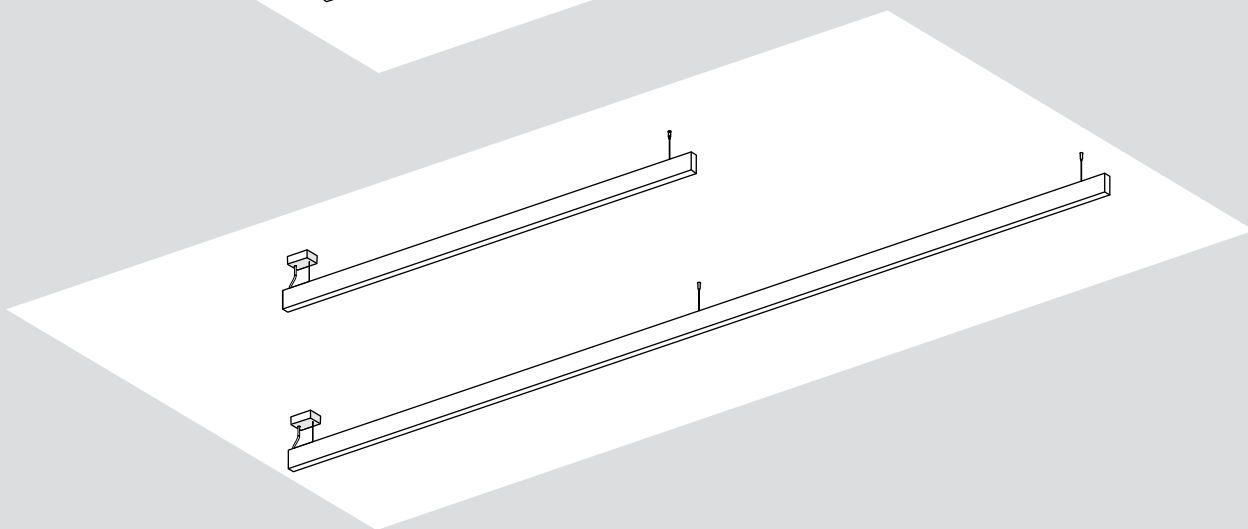
design
C. de Bevilacqua



RECESSED



CEILING

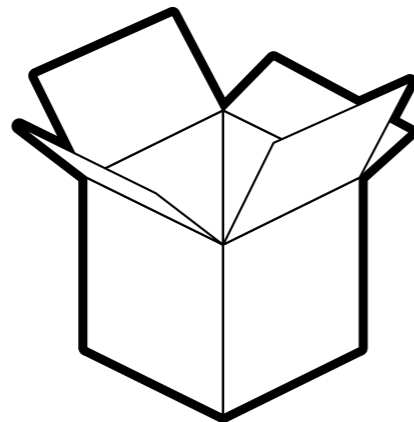
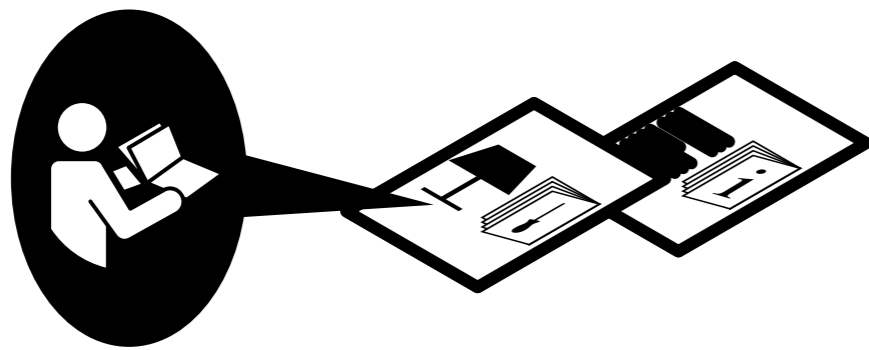
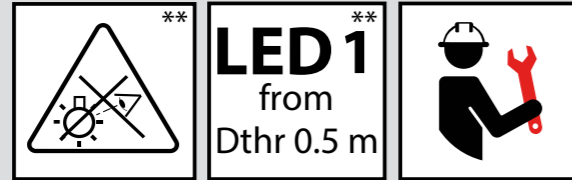
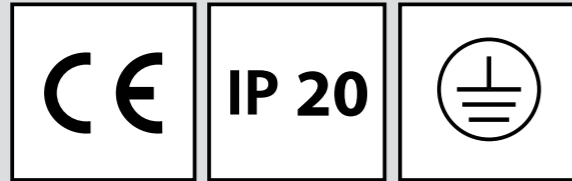


SUSPENSION





i



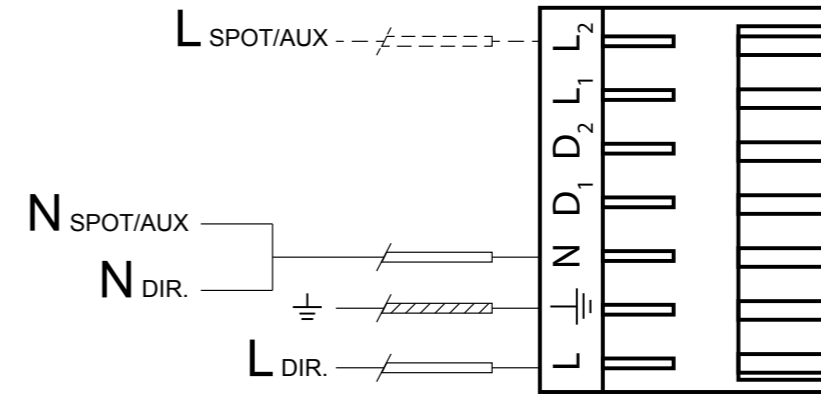
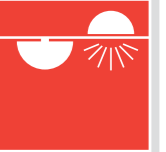
Model	L (mm) *	Power (W) *	I Nom. (A) *	Inrush Current (A) *	Leakage Current (mA) *	
** ALGORITMO SYSTEM SHARPING DIRECT GEAR PLATE DIMMABLE	2X4	1184	25	0,12	53	< 2
	3X4	1184	38	0,17	53	< 2
	4X4	2368	50	0,23	53	< 2
	6X4	2368	70	0,32	49 (154 µs)	< 4
** ALGORITMO SYSTEM SHARPING DIRECT + DIFFUSING INDIRECT GEAR PLATE DIMMABLE	2X4	1184	53	0,48	106 ²⁼	< 4
	3X4	1184	64	0,29	106 ²⁼	< 4
	4X4	2368	104	0,48	on request	< 4
	6X4	2368	124	0,57	on request	< 4
ALGORITMO SYSTEM UNIVERSAL DIRECT GEAR PLATE NOT DIMMABLE	1184	34	0,2	13 (270 µs)	0,3	
	2368	62	0,37	21 (220 µs)	0,3	
ALGORITMO SYSTEM UNIVERSAL DIRECT + INDIRECT GEAR PLATE NOT DIMMABLE	1184	68	0,36	26 (270 µs) ²⁼	0,6	
	2368	122	0,84	42 (220 µs) ²⁼	0,6	
ALGORITMO SYSTEM UNIVERSAL DIRECT GEAR PLATE DIMMABLE	1184	34	0,25	30 (200 µs)	< 2	
	2368	62	0,43	53 (200 µs)	< 2	
ALGORITMO SYSTEM UNIVERSAL DIRECT + INDIRECT GEAR PLATE DIMMABLE	1184	68	0,50	106 (200 µs) ²⁼	< 2	
	2368	122	0,76	106 (200 µs) ²⁼	< 2	
ALGORITMO STANDALONE SUSPENDED DIFFUSING DIRECT NOT DIMMABLE	1188	34	0,2	13 (270 µs)	0,3	
	2372	68	0,37	21 (220 µs)	0,3	
ALGORITMO STANDALONE SUSPENDED DIFFUSING DIRECT DIMMABLE	1188	34	0,25	30 (200 µs)	< 2	
	2372	68	0,43	53 (200 µs)	< 2	
ALGORITMO STANDALONE SUSPENDED DIFFUSING DIRECT + INDIRECT NOT DIMMABLE	1188	62	0,36	26 (270 µs) ²⁼	0,6	
	2372	122	0,84	42 (220 µs) ²⁼	0,6	
ALGORITMO STANDALONE SUSPENDED DIFFUSING DIRECT + INDIRECT DIMMABLE	1188	62	0,50	106 (200 µs) ²⁼	< 4	
	2372	122	0,76	106 (200 µs) ²⁼	< 4	

* 230 V / 50 Hz

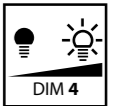
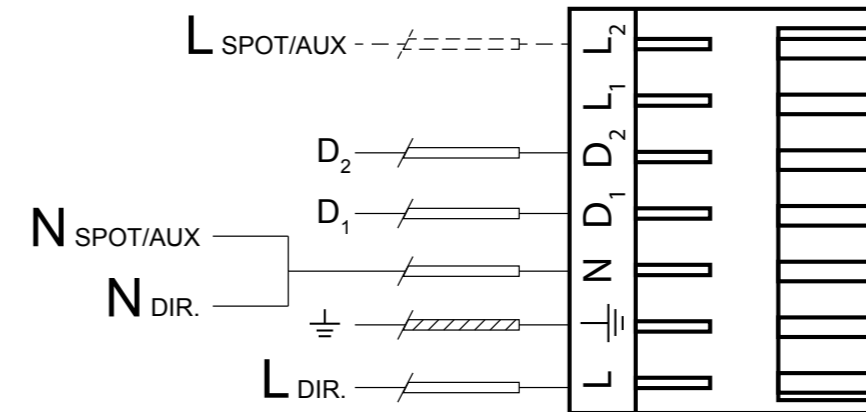
Model	L (mm) *	Power (W) *	I Nom. (A) *	Inrush Current (A) *	Leakage Current (mA) *
ALGORITMO STANDALONE WALL / CEILING DIFFUSING DIRECT NOT DIMMABLE	1188	34	0,2	13 (270 μ s)	0,3
	2372	68	0,37	21 (220 μ s)	0,3
ALGORITMO STANDALONE WALL / CEILING DIFFUSING DIRECT DIMMABLE	1188	34	0,25	53	< 2
	2372	68	0,43	53	< 2
PAD - PAD SQUARE DIRECT GEAR PLATE + INDIRECT NOT DIMMABLE	1184	27	on request	on request	on request
PAD - PAD SQUARE DIRECT GEAR PLATE + INDIRECT DIMMABLE	1184	27	on request	on request	on request
PAD NOT DIMMABLE		14,5	0,06	on request	0,025
PAD SQUARE NOT DIMMABLE		29	0,13	on request	0,025
37 CUBE DIRECT GEAR PLATE + INDIRECT DIMMABLE		27	0,12	on request	< 6
TRACK GEAR PLATE + INDIRECT NOT DIMMABLE	1184	27	0,12	13 (270 μ s)	0,3
	2368	57	0,26	21 (220 μ s)	0,3
TRACK GEAR PLATE + INDIRECT DIMMABLE	1184	27	0,12	53	< 2
	2368	57	0,26	53	< 2
FLUO DIRECT GEAR PLATE NOT DIMMABLE	1184	(1) X 28	0,13	24	on request
	2368	(2) X 28	0,26	48	on request
FLUO DIRECT GEAR PLATE DIMMABLE	1184	(1) X 28	0,13	24	on request
	2368	(2) X 28	0,26	48	on request
FLUO DIRECT GEAR PLATE + FLUO INDIRECT NOT DIMMABLE	1184	(1) X 28 + (1) X 39	0,31	on request	on request
	2368	(2) X 28 + (2) X 39	0,61	on request	on request
FLUO DIRECT GEAR PLATE DIMMABLE + FLUO INDIRECT NOT DIMMABLE	1184	(1) X 28 + (1) X 39	0,31	on request	on request
	2368	(2) X 28 + (2) X 39	0,61	on request	on request
ALGORITMO TW DIR. GEAR PLATE	1184	35	0,19	10 (50 μ s)	< 1
ALGORITMO TW DIR. / IND. GEAR PLATE	1184	62	0,29	20 (50 μ s)	< 2

* 230 V / 50 Hz

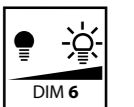
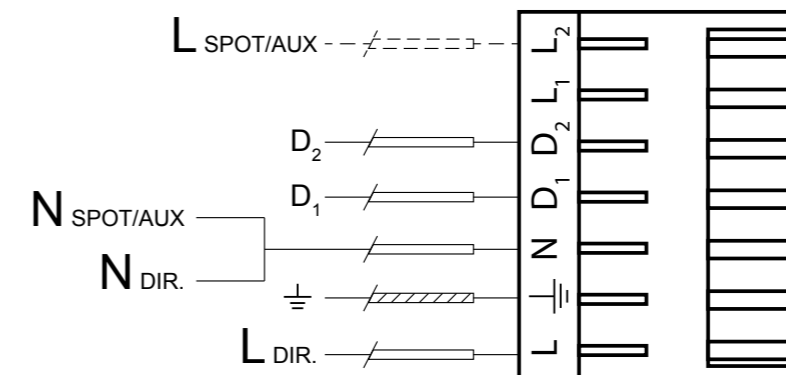
CEILING / RECESSED



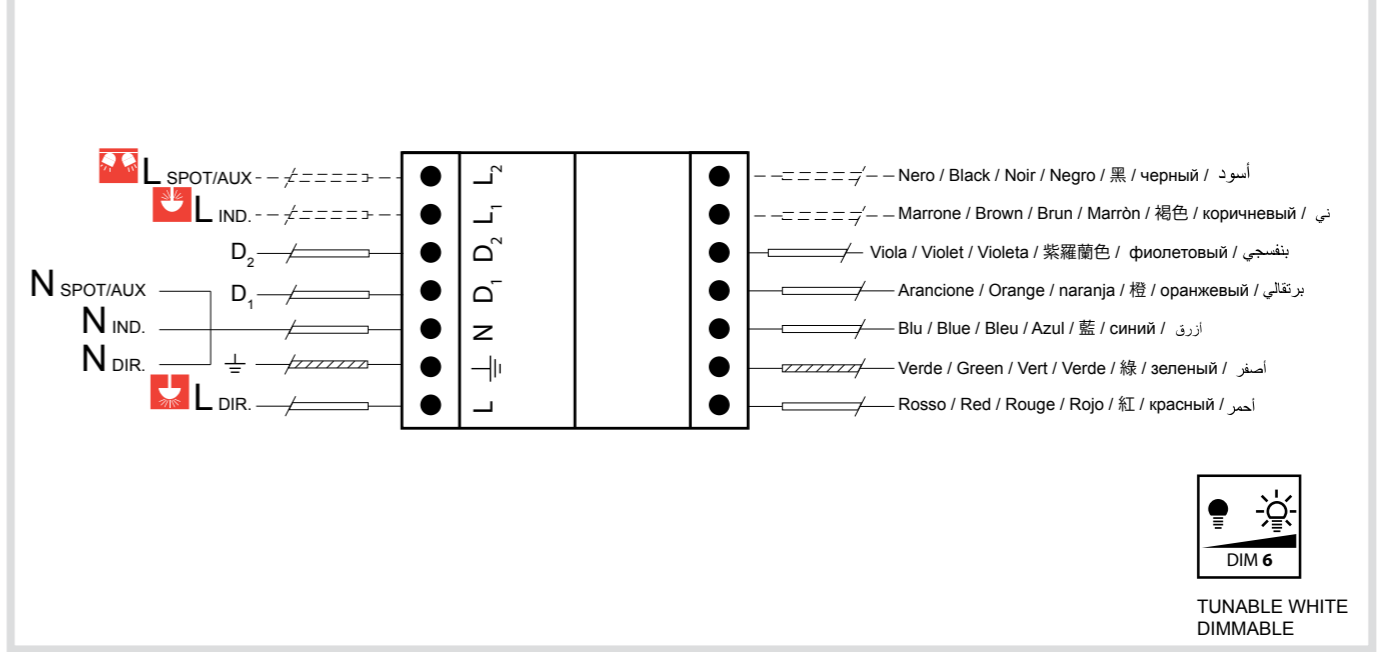
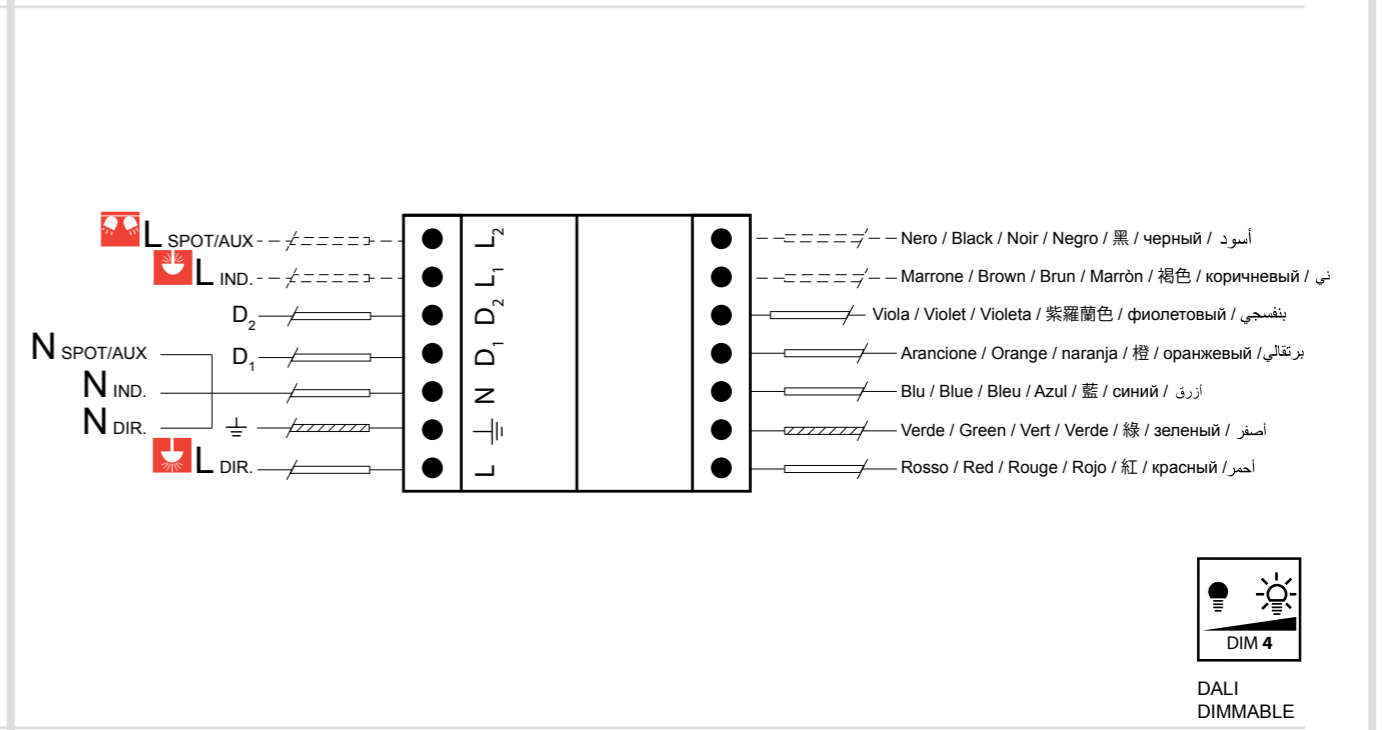
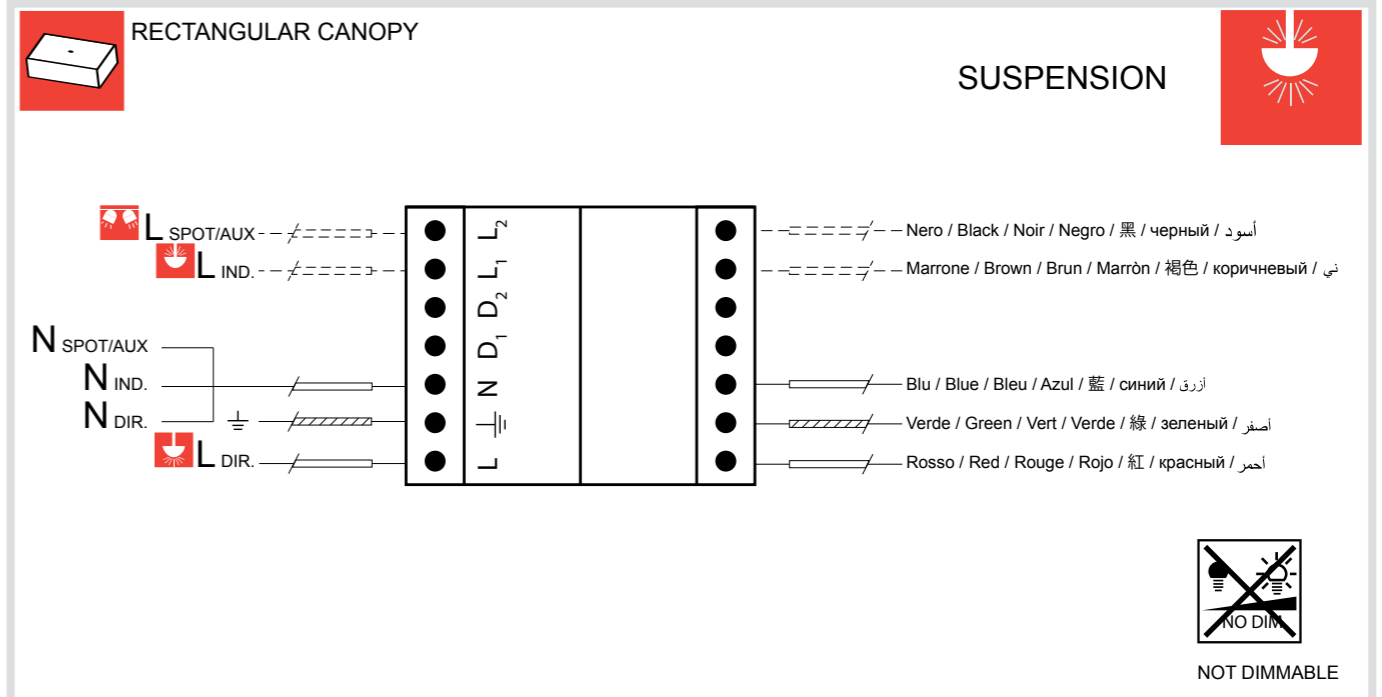
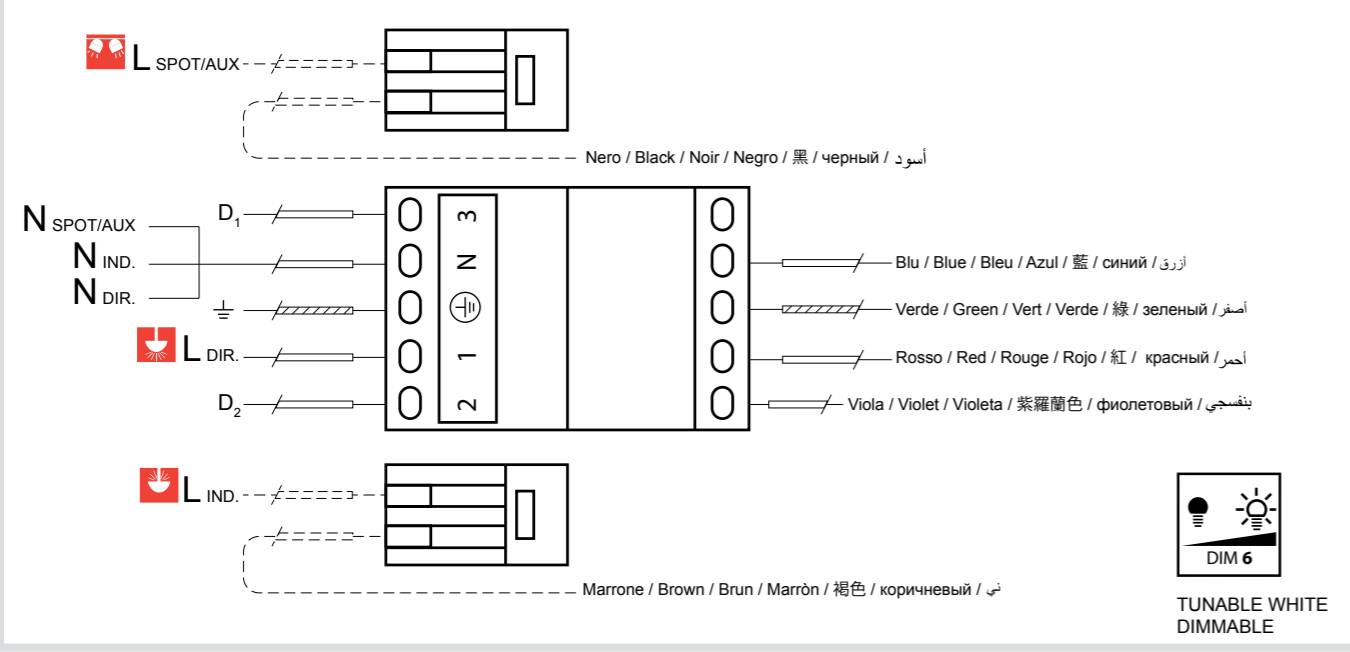
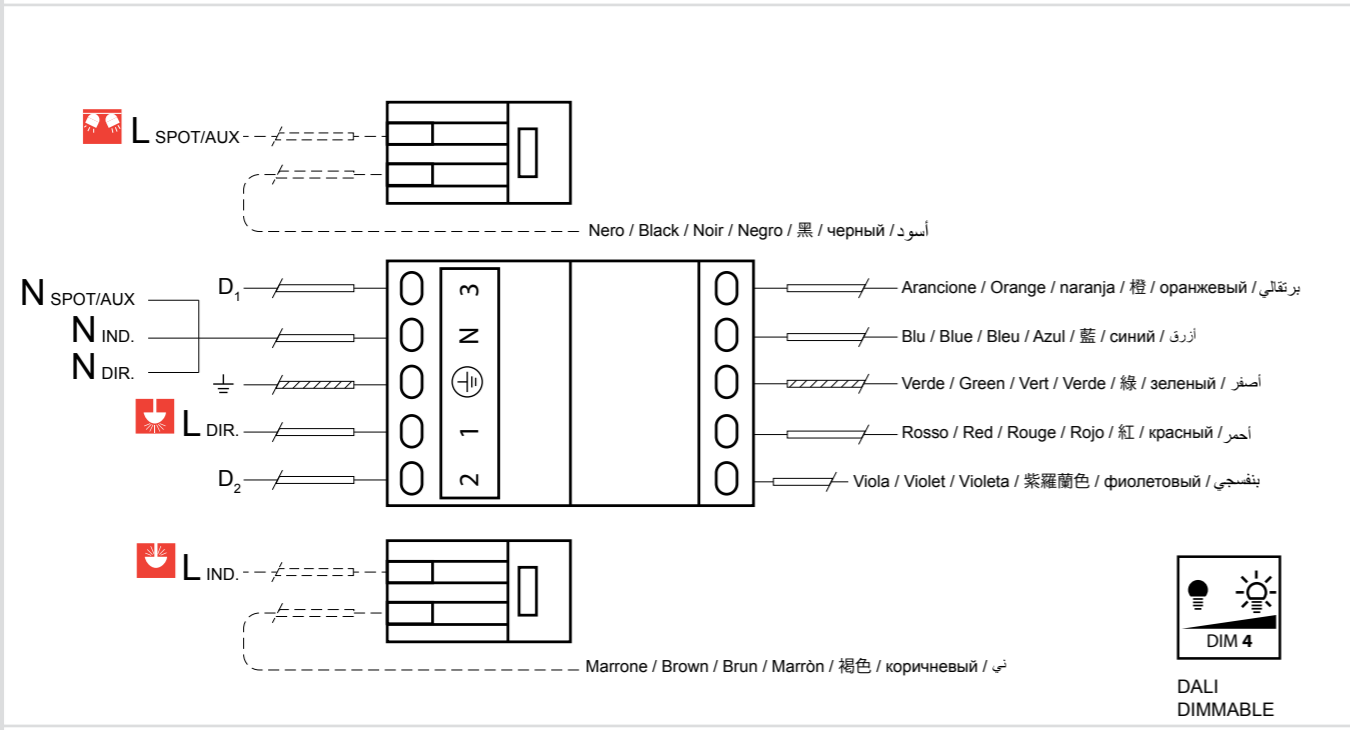
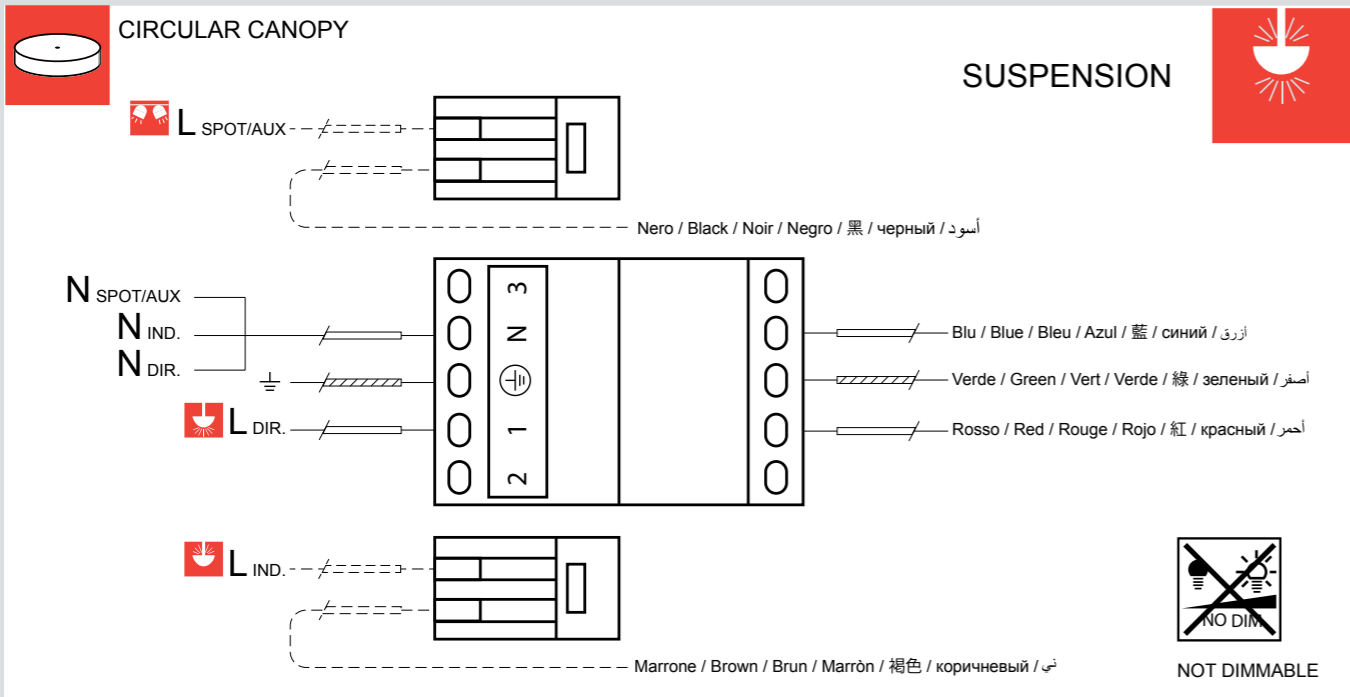
NOT DIMMABLE



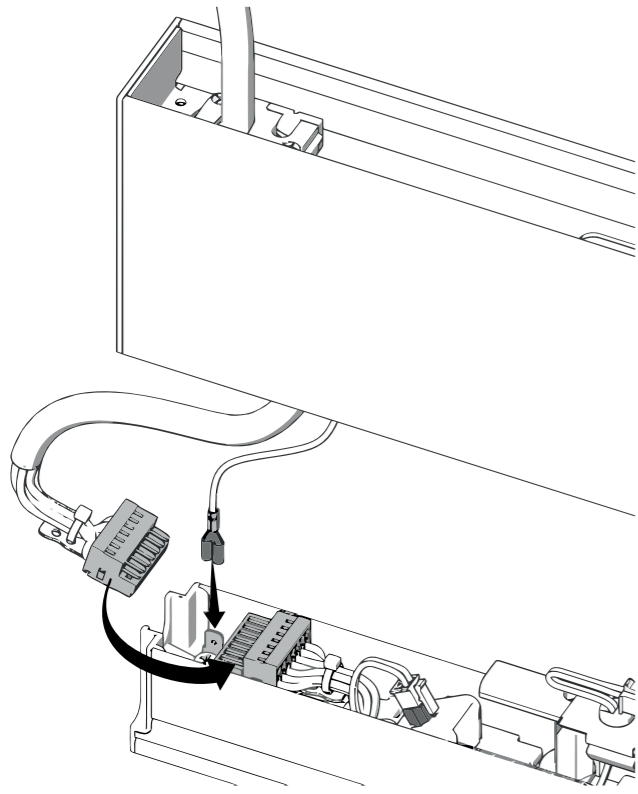
DALI
DIMMABLE



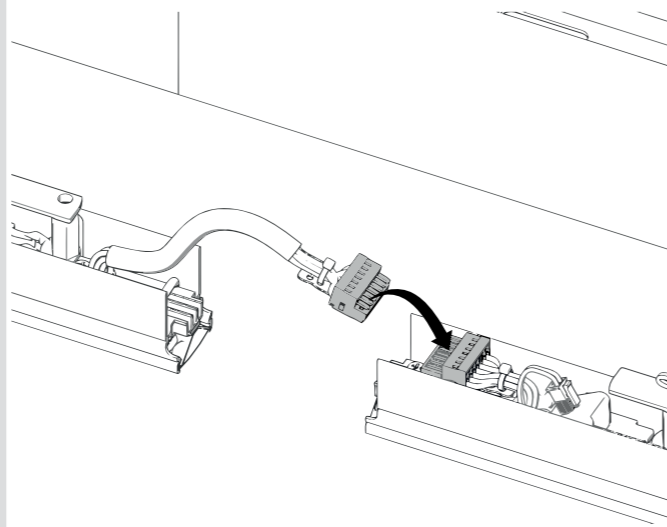
TUNABLE WHITE
DIMMABLE



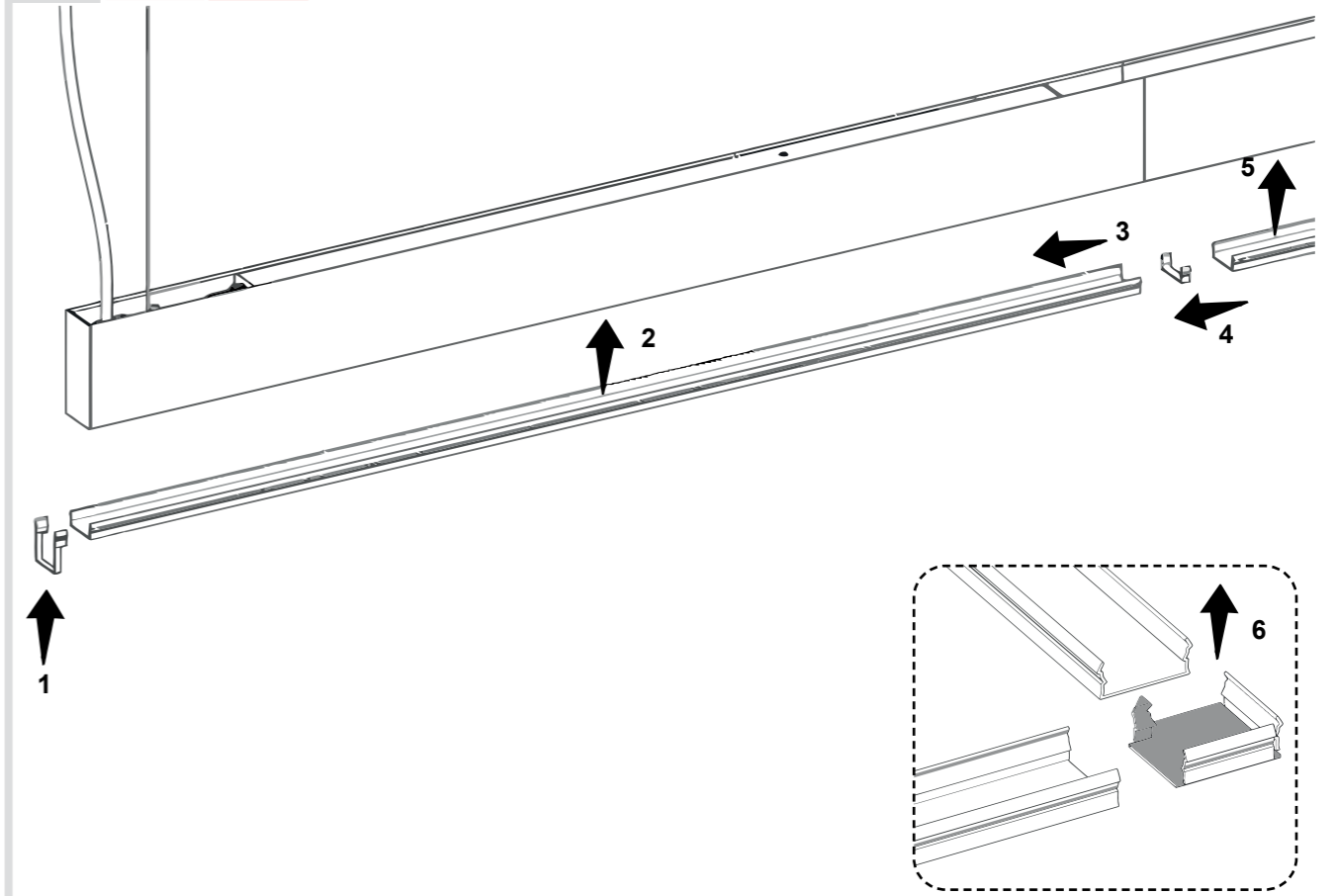
1a



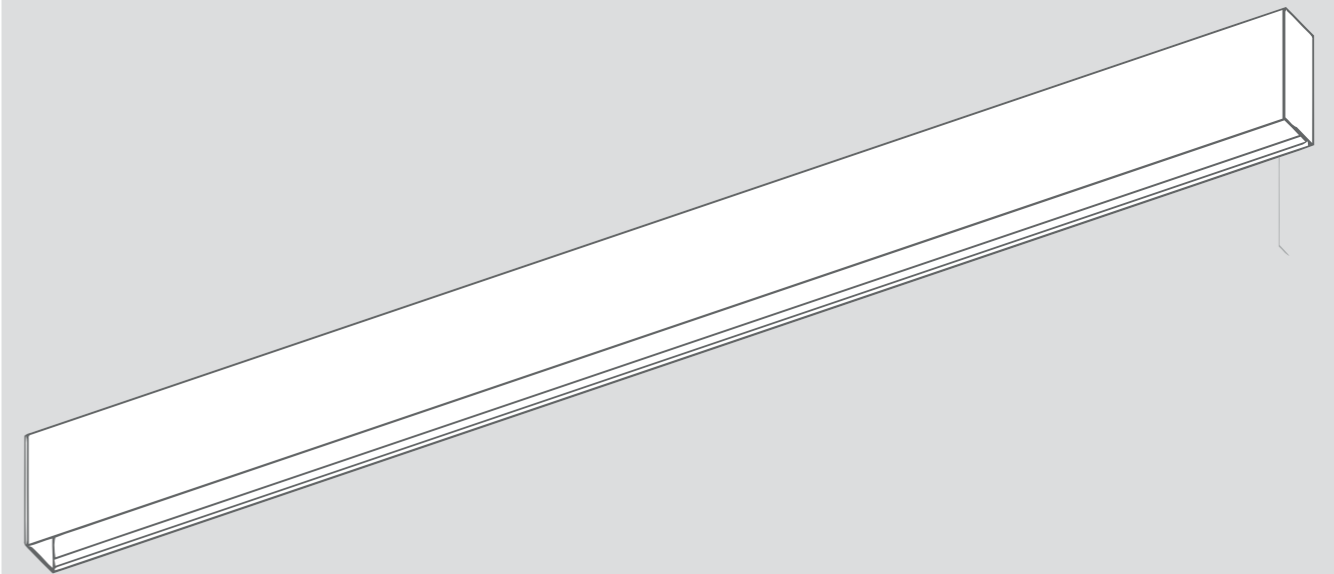
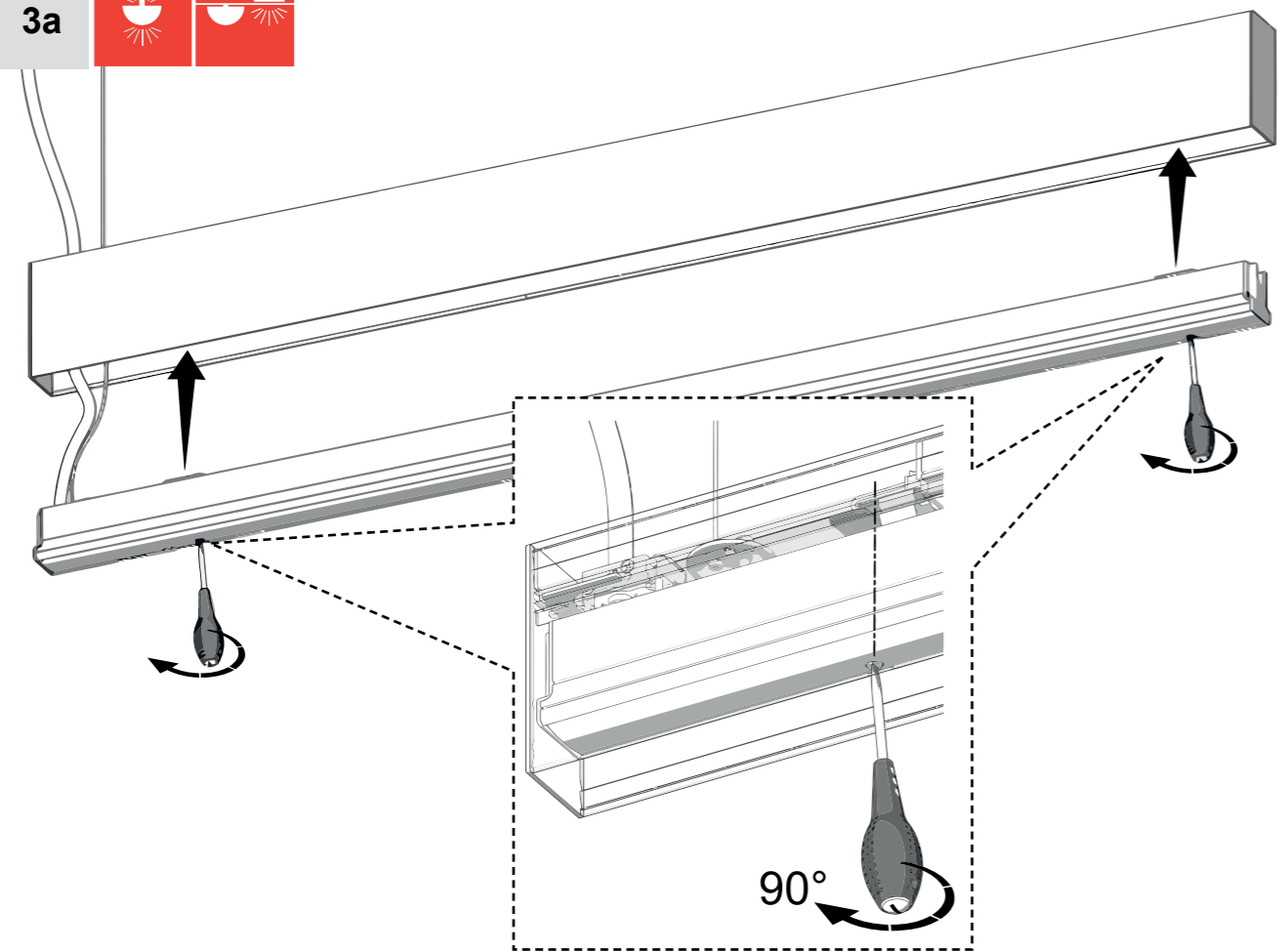
2a

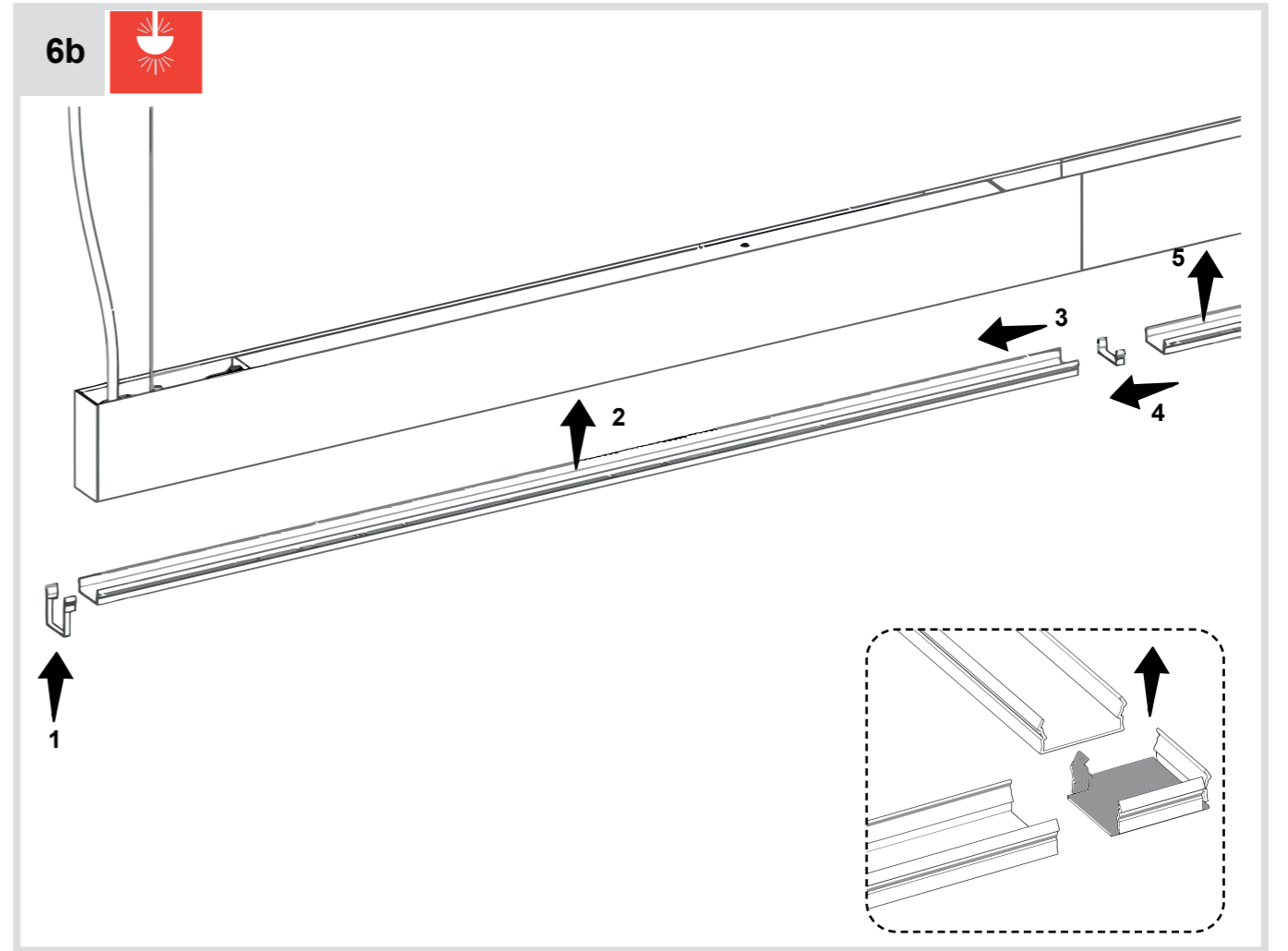
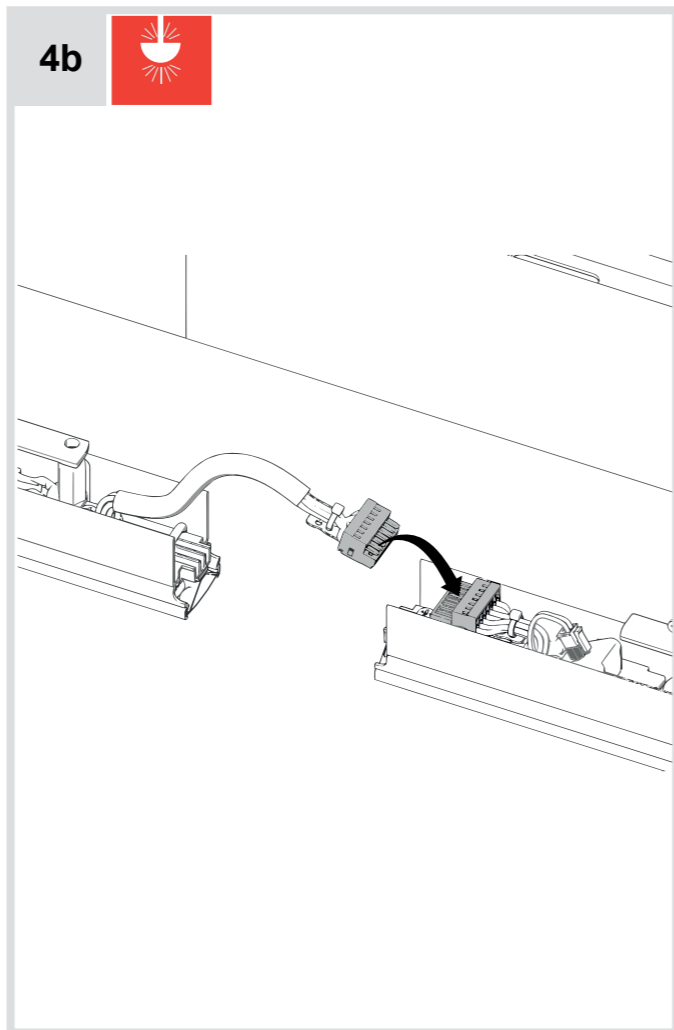
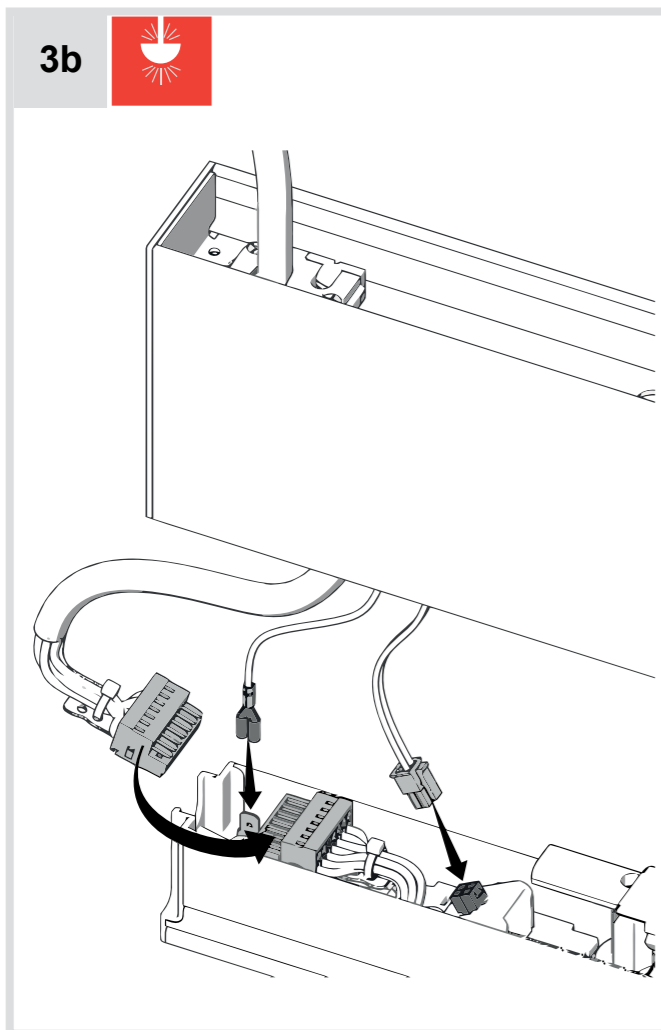
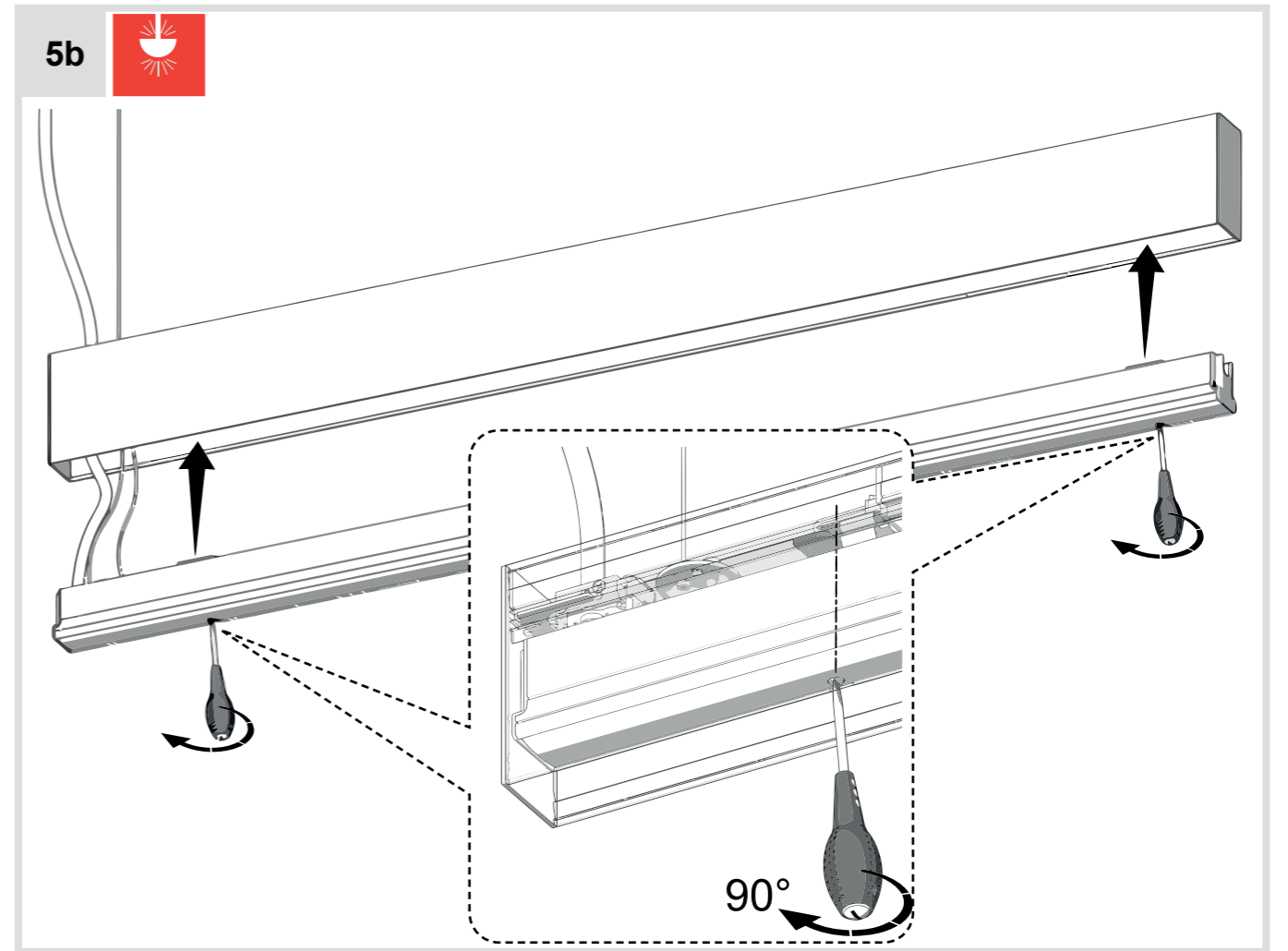
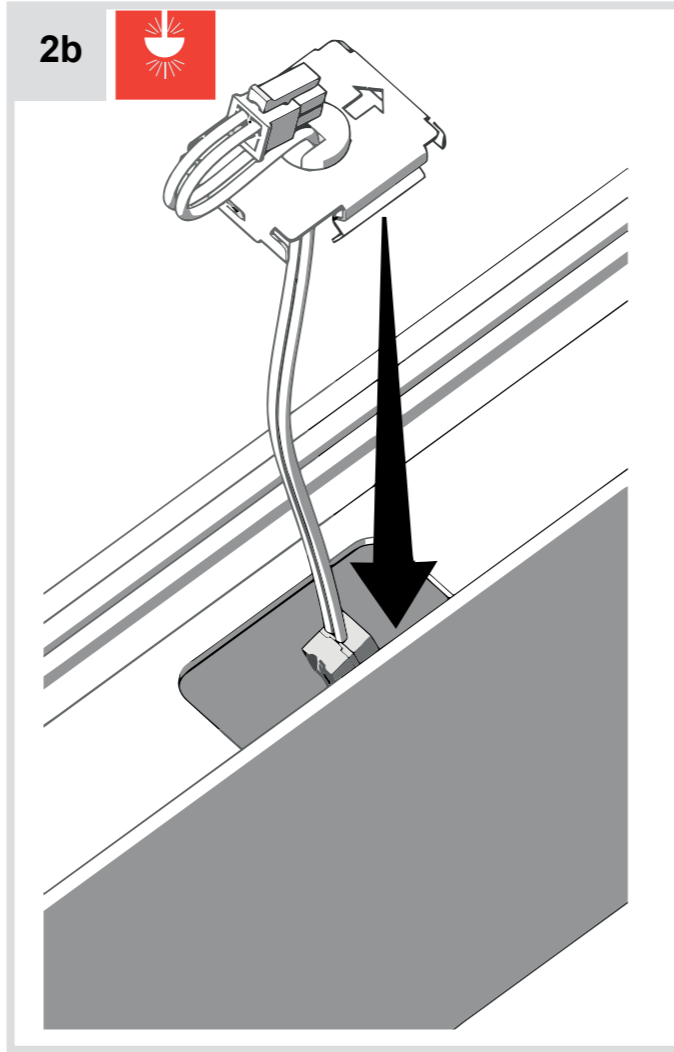
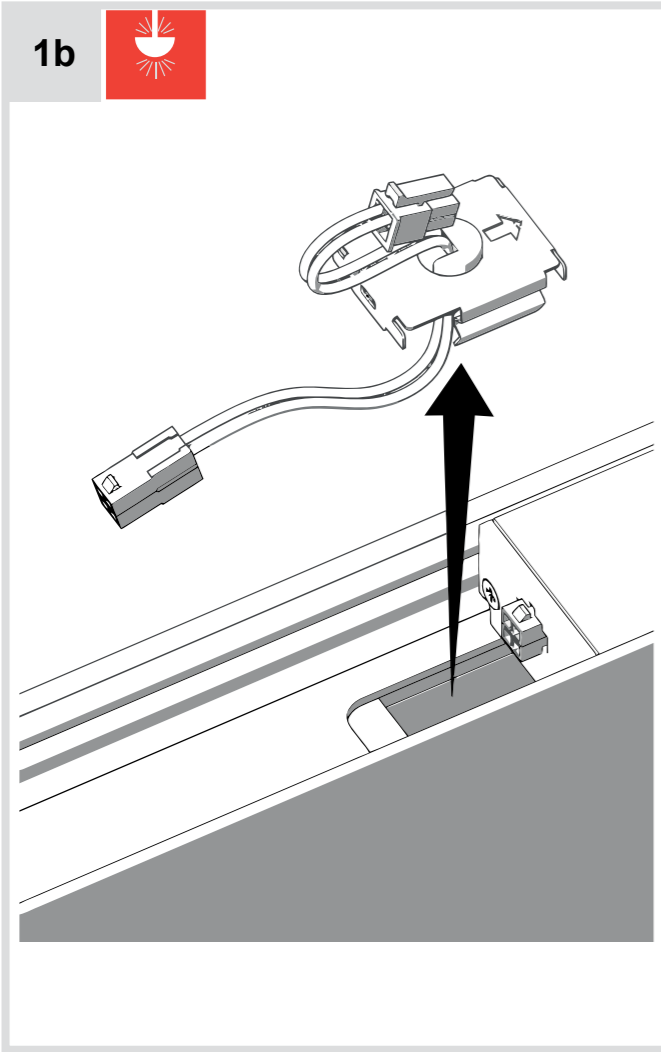


4a

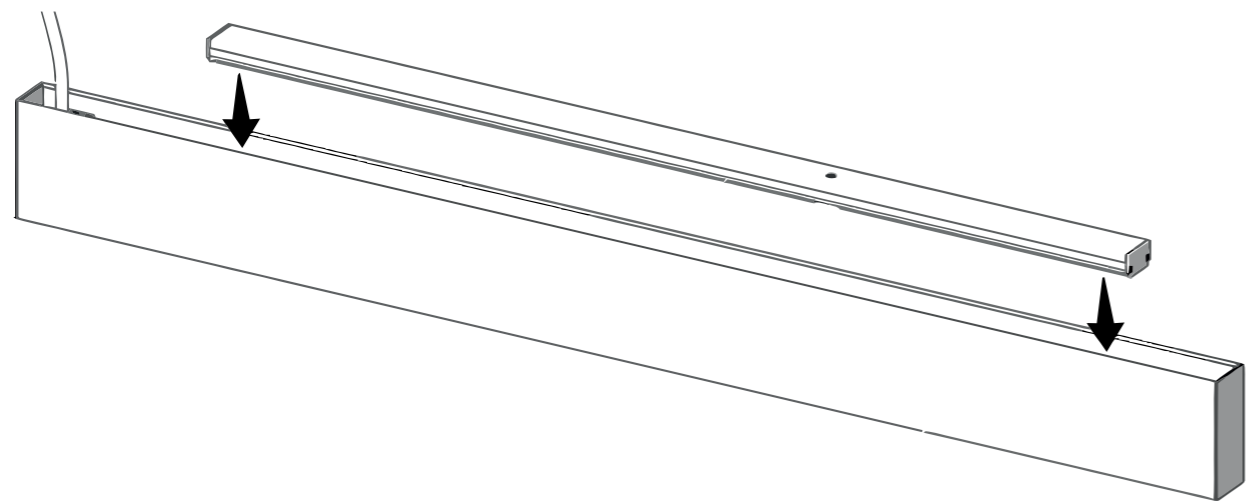


3a

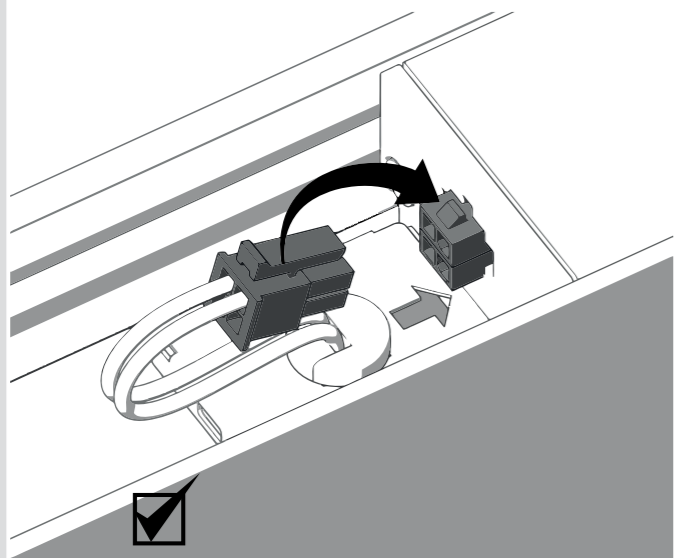




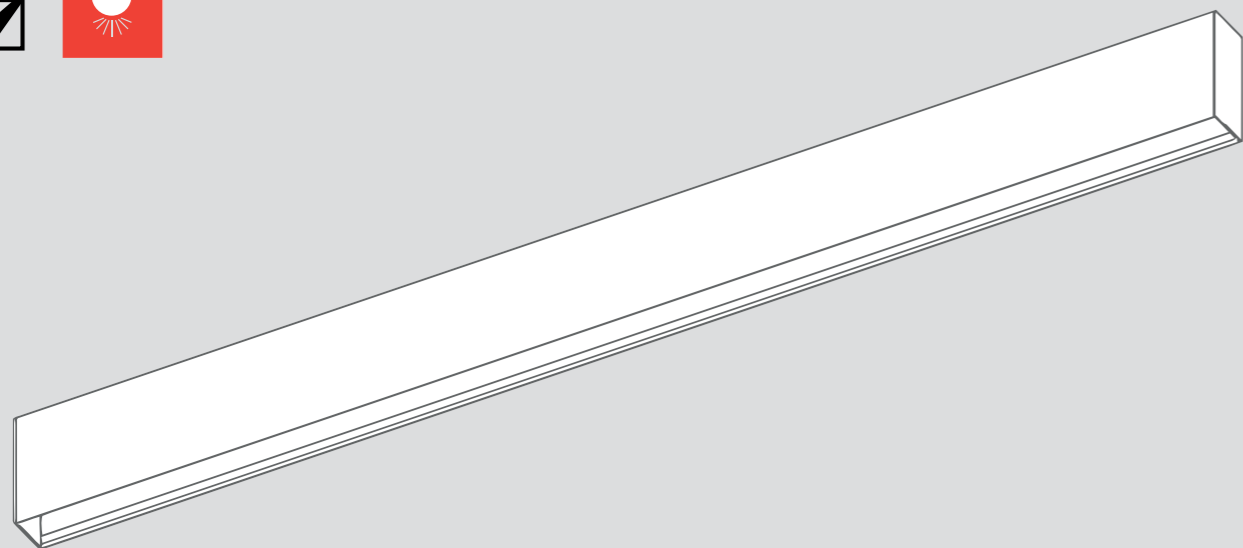
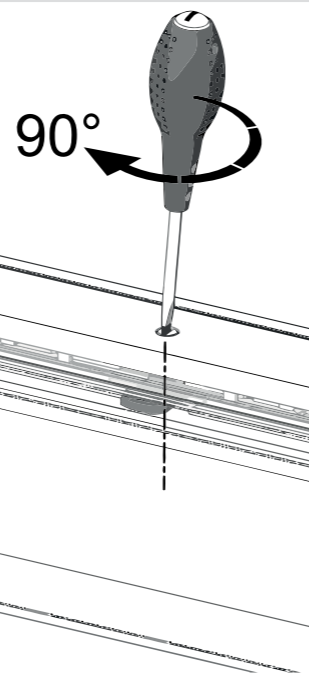
7b



8b



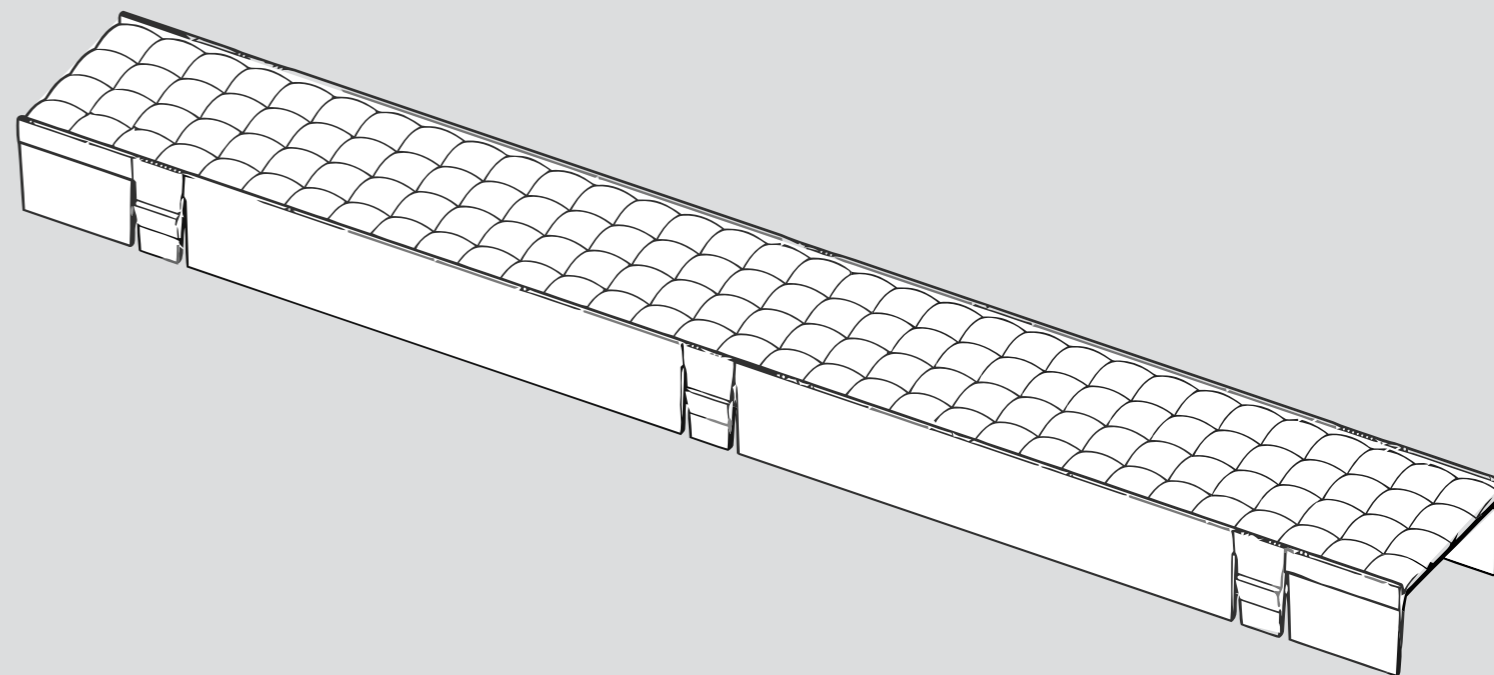
9b

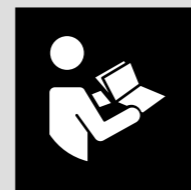
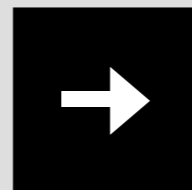
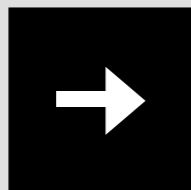


Artemide[®] ARCHITECTURAL

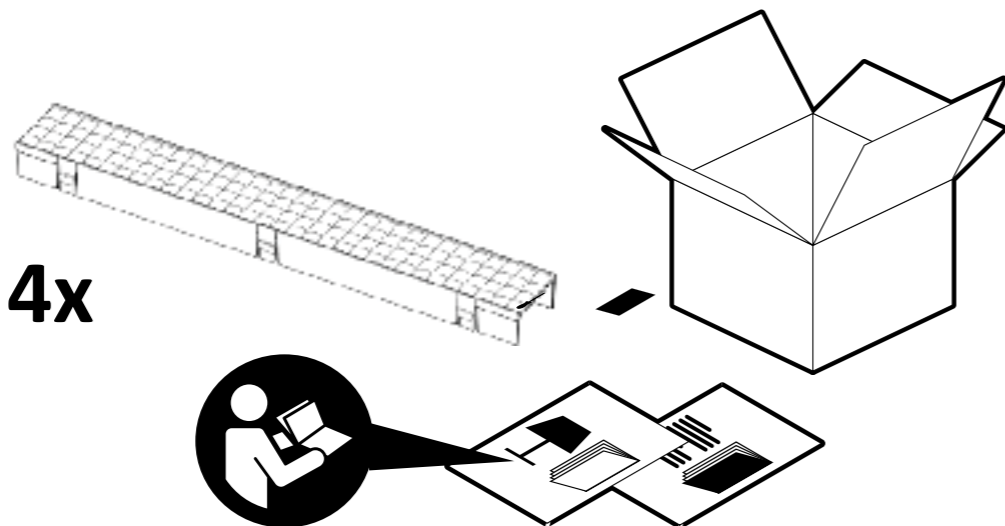
Algoritmo Dark Light Optic Unit

design
C. de Bevilacqua

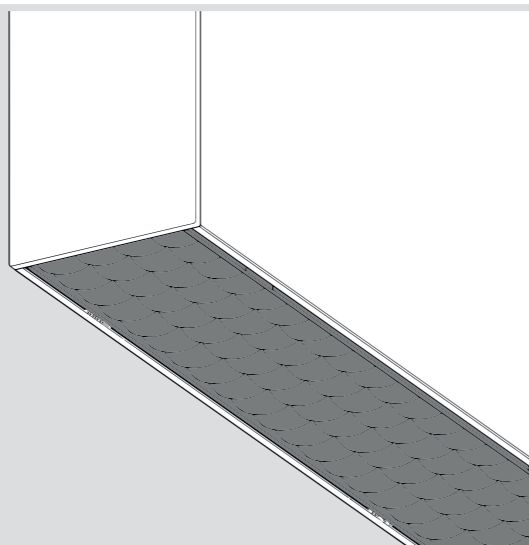
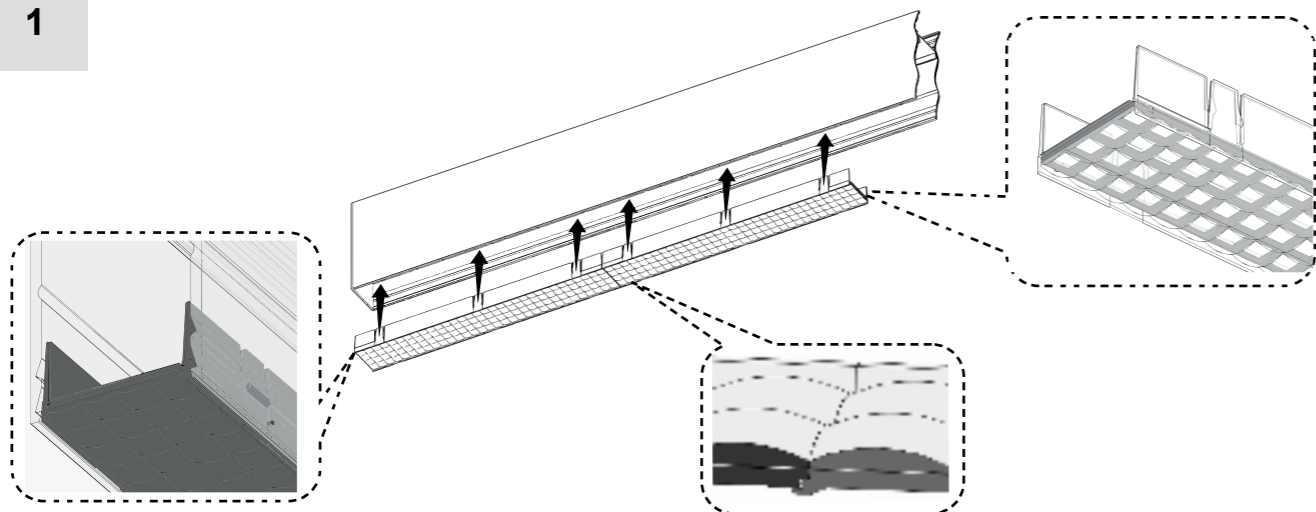




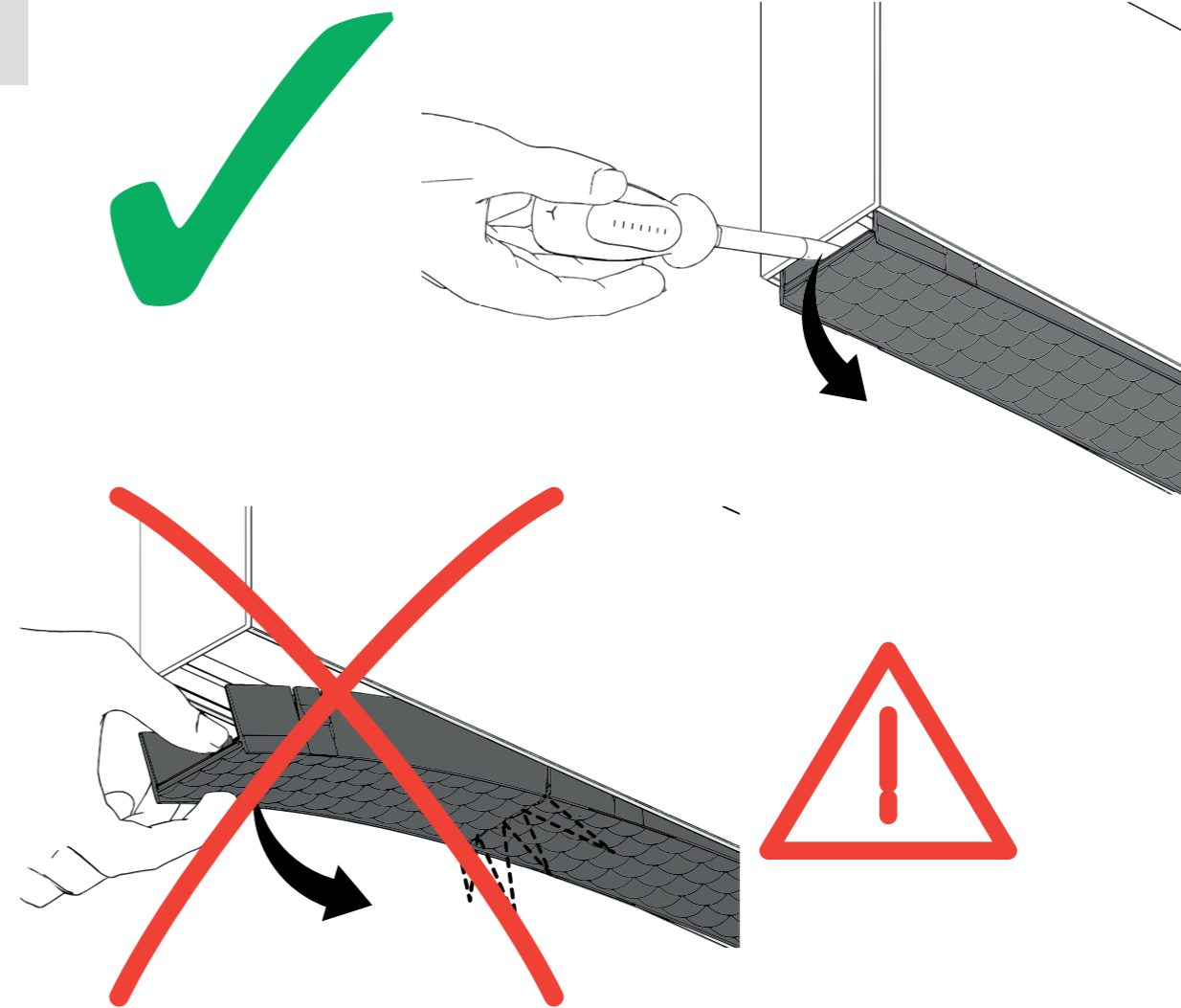
4x



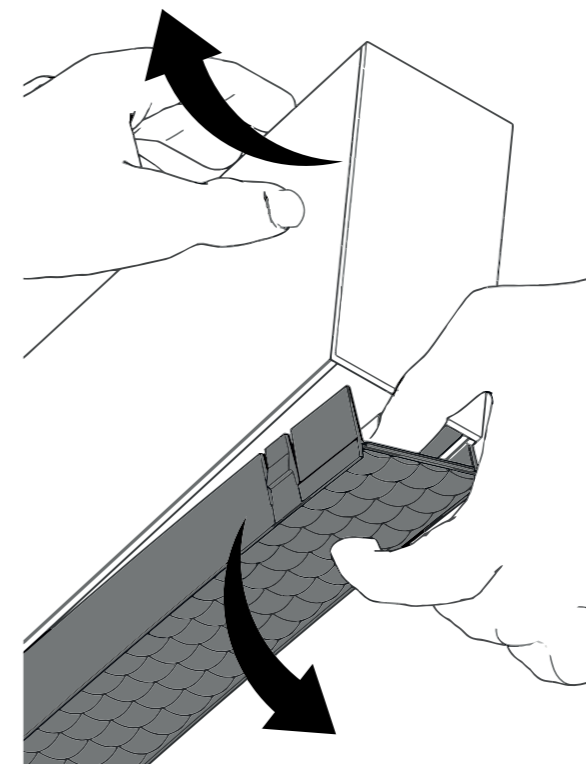
1



1

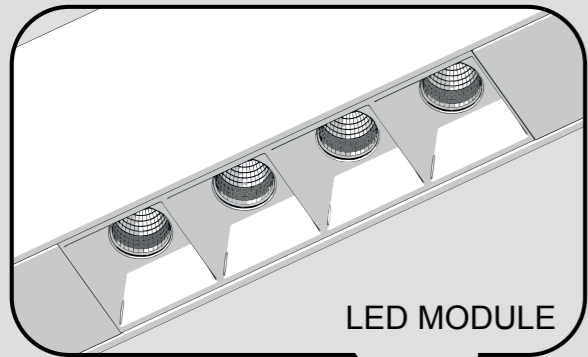


2

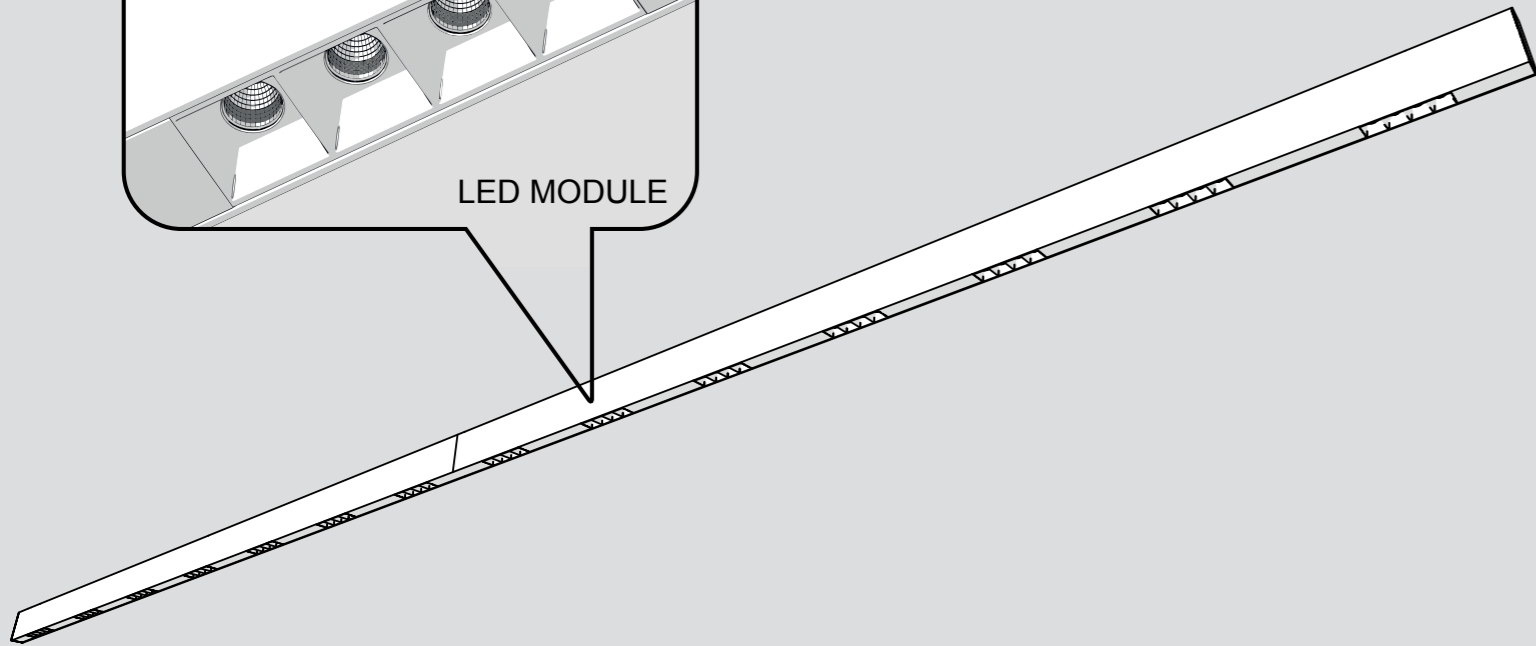


Algoritmo Sharping

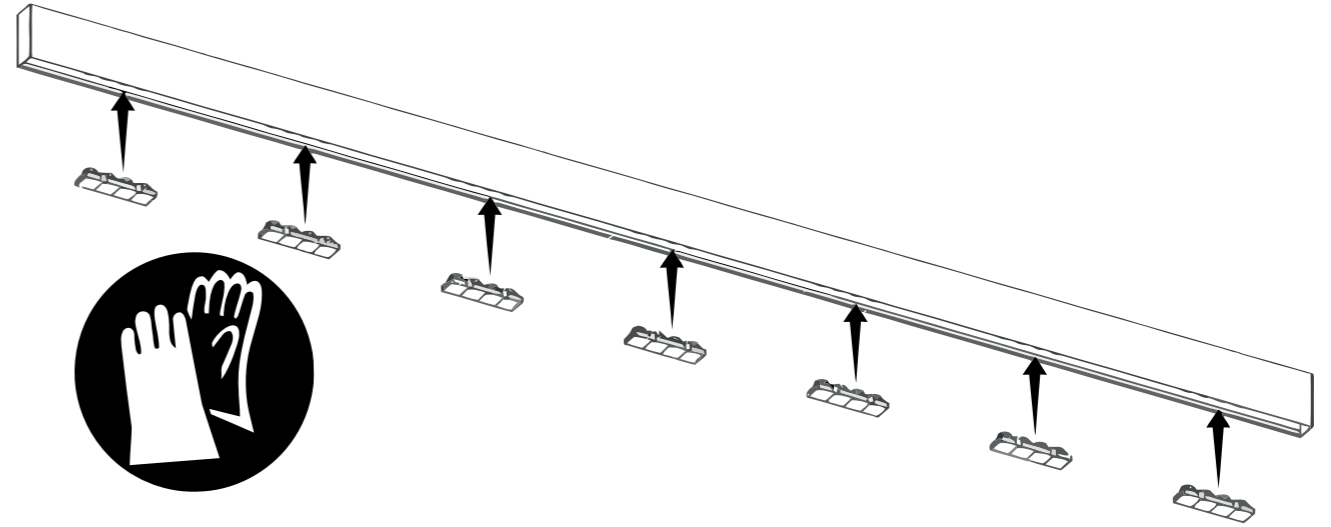
design
C. de Bevilacqua



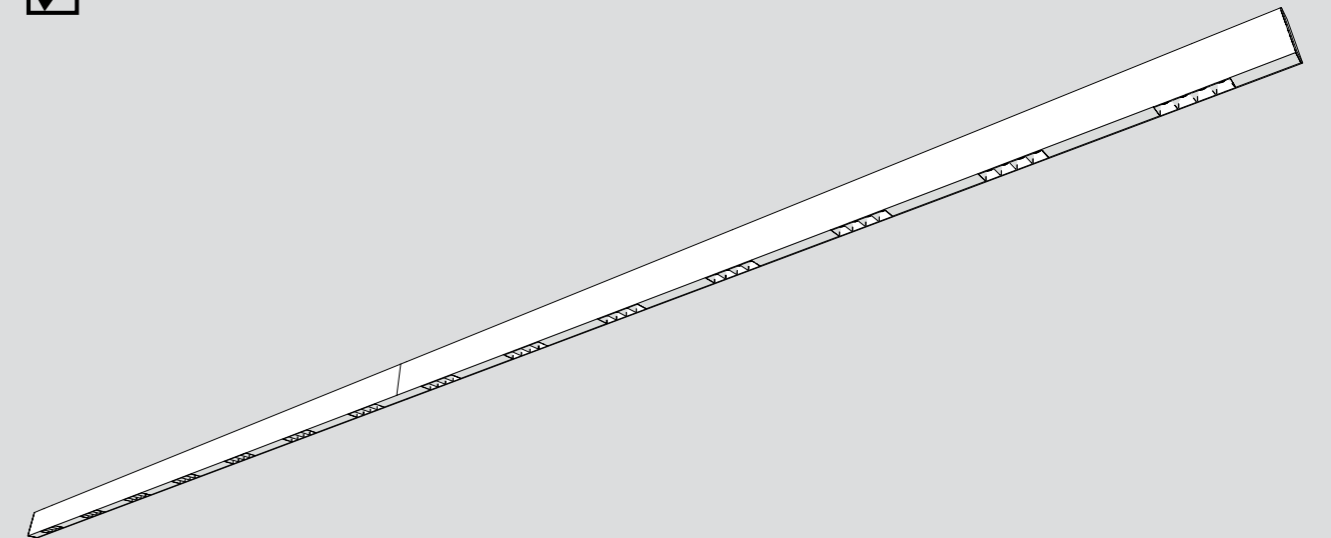
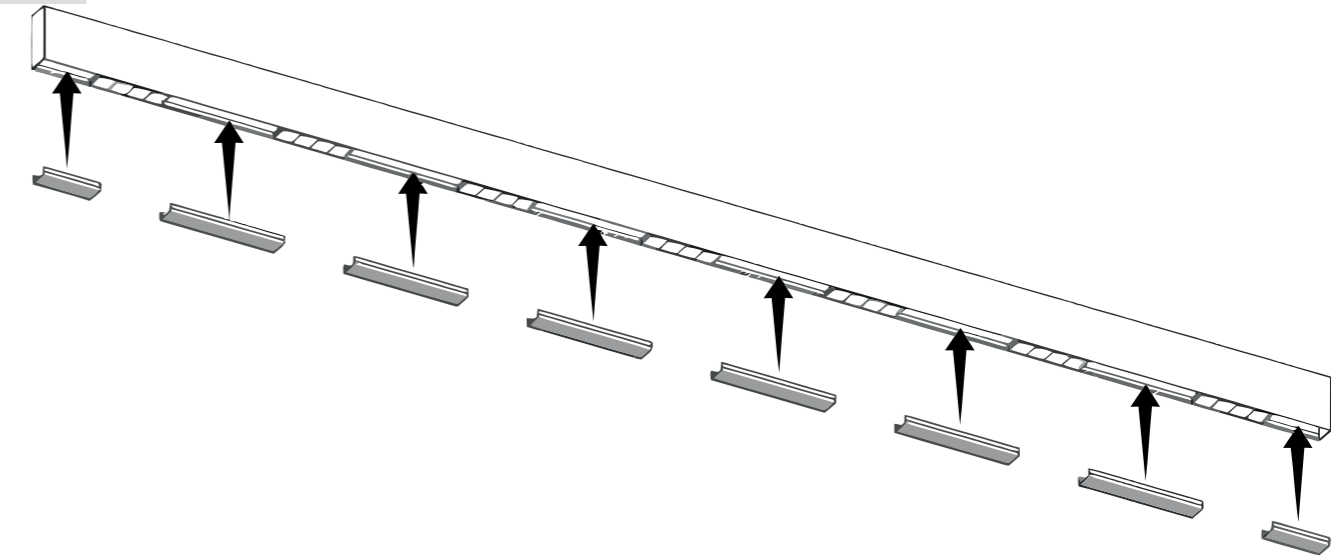
LED MODULE

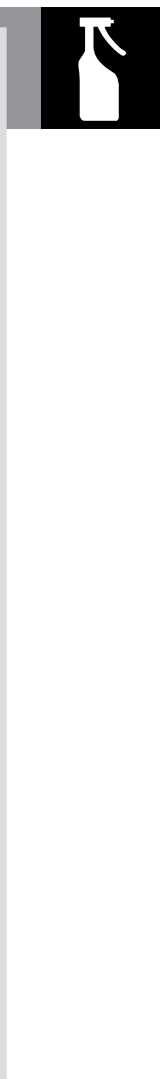
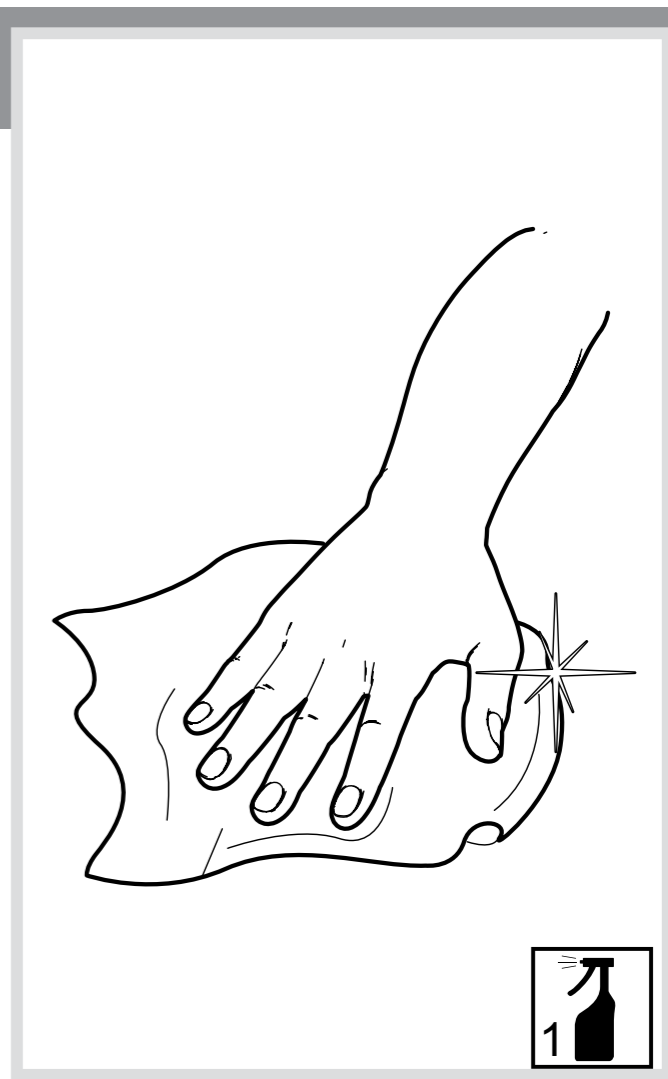
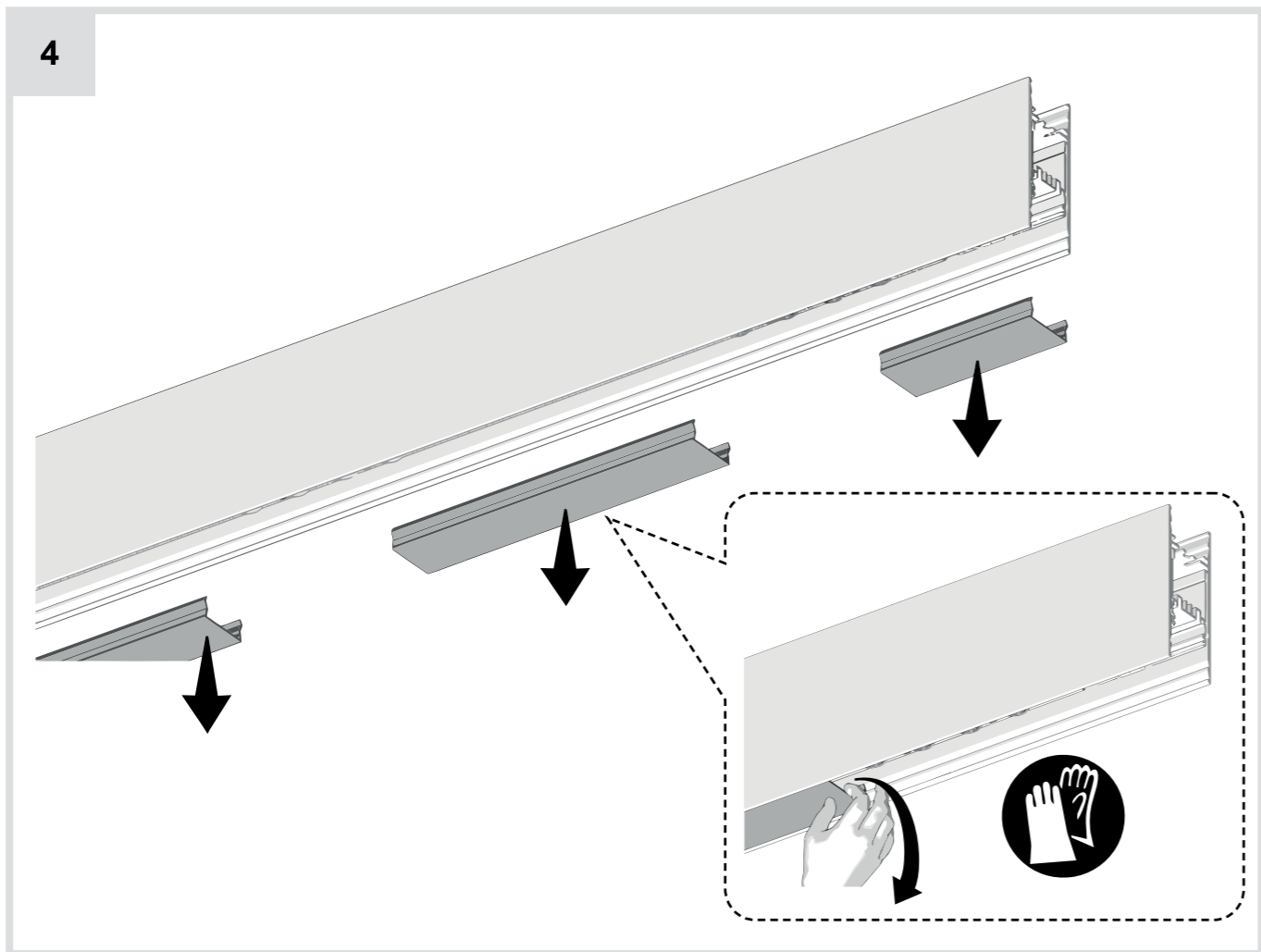
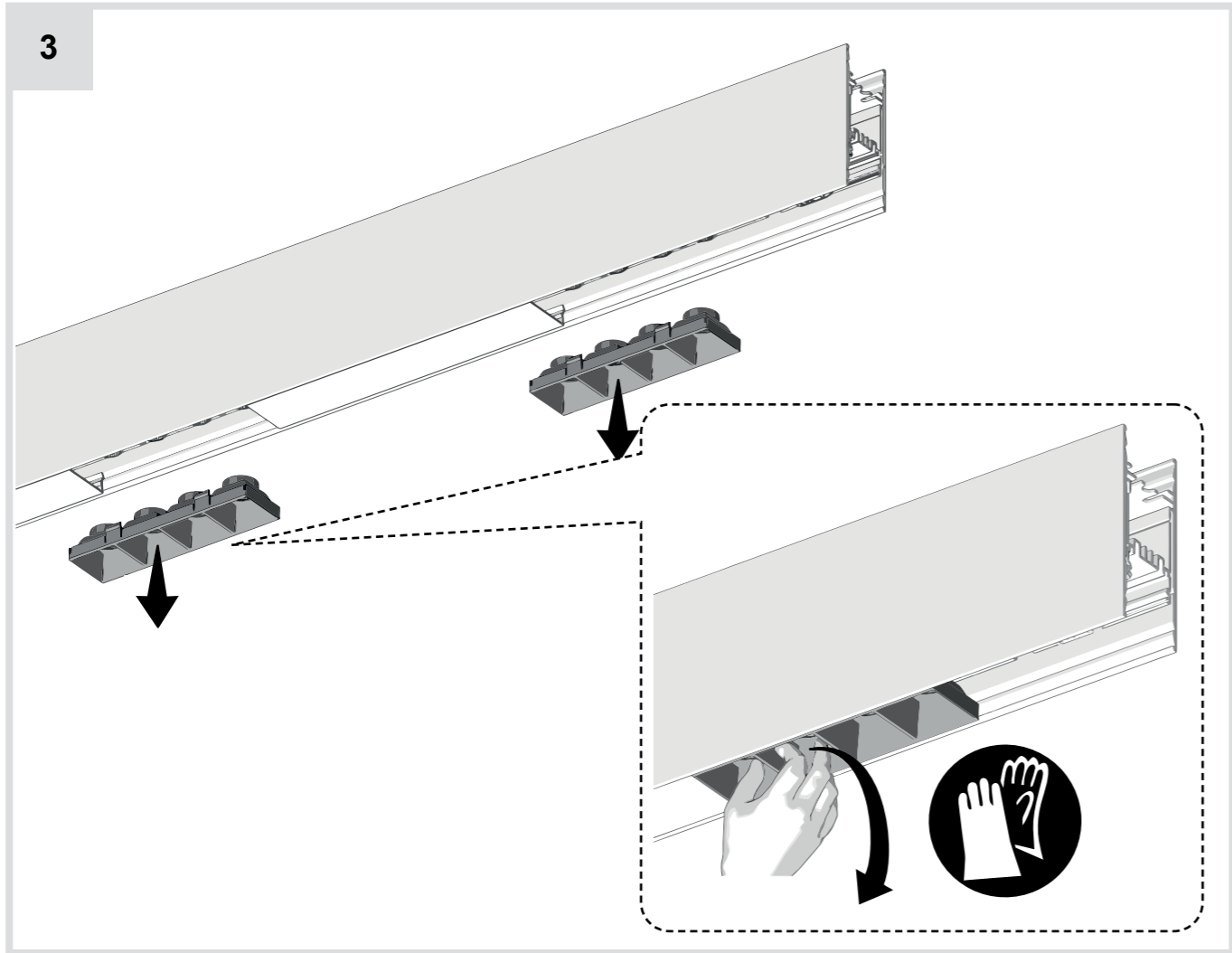


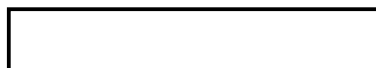
1



2







Artemide Spa

via Bergamo, 18
20010 Pregnana M.se (MI)
ITALIA

Tel. +39 02 935 181
Fax +39 02 935 90 254
Fax +39 02 935 90 496

www.artemide.com

VAT IT00846890150

cod. Y513003060C