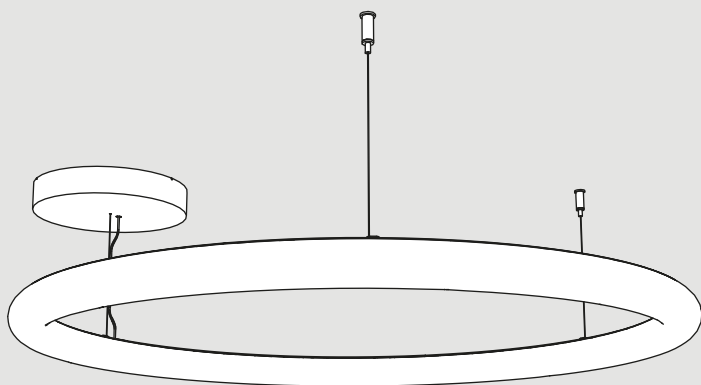


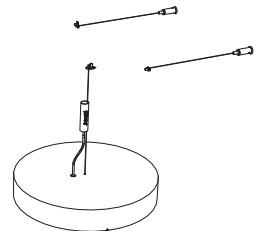
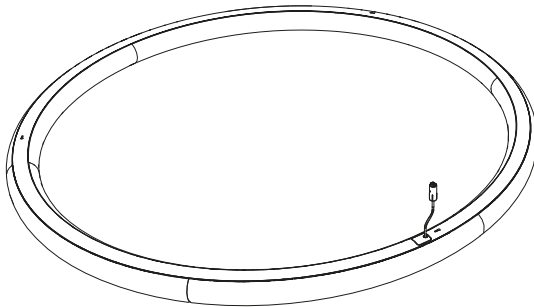
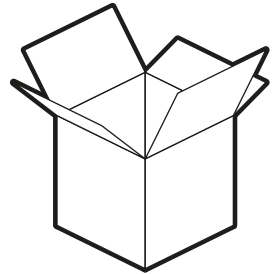
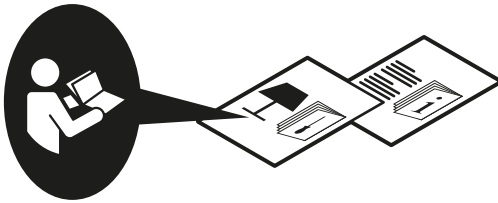
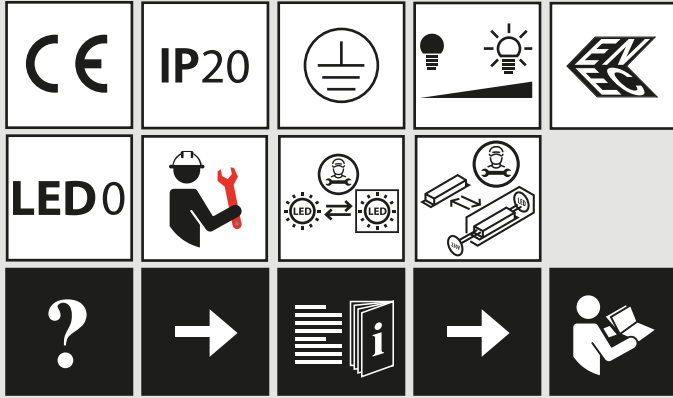
Alphabet of Light Circular 90

design
BIG

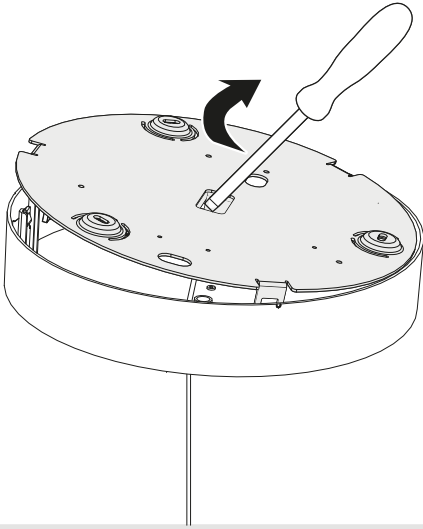




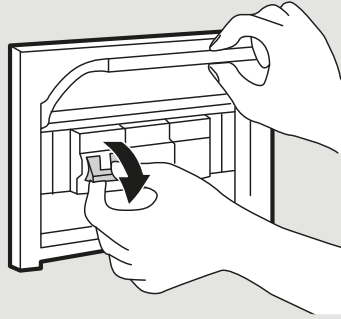
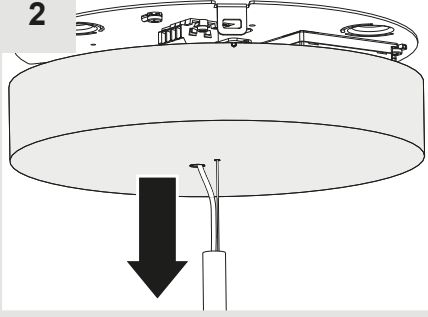
i



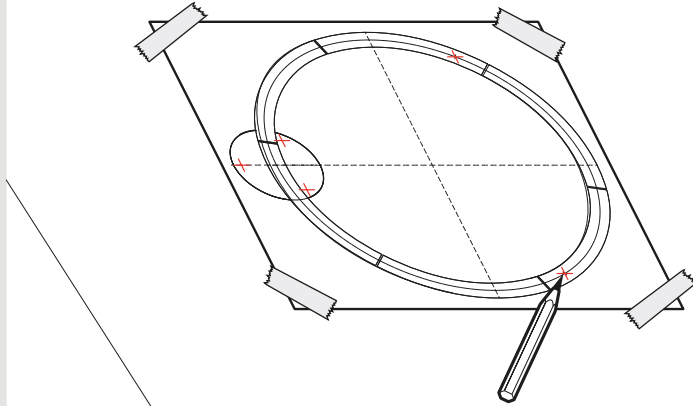
1

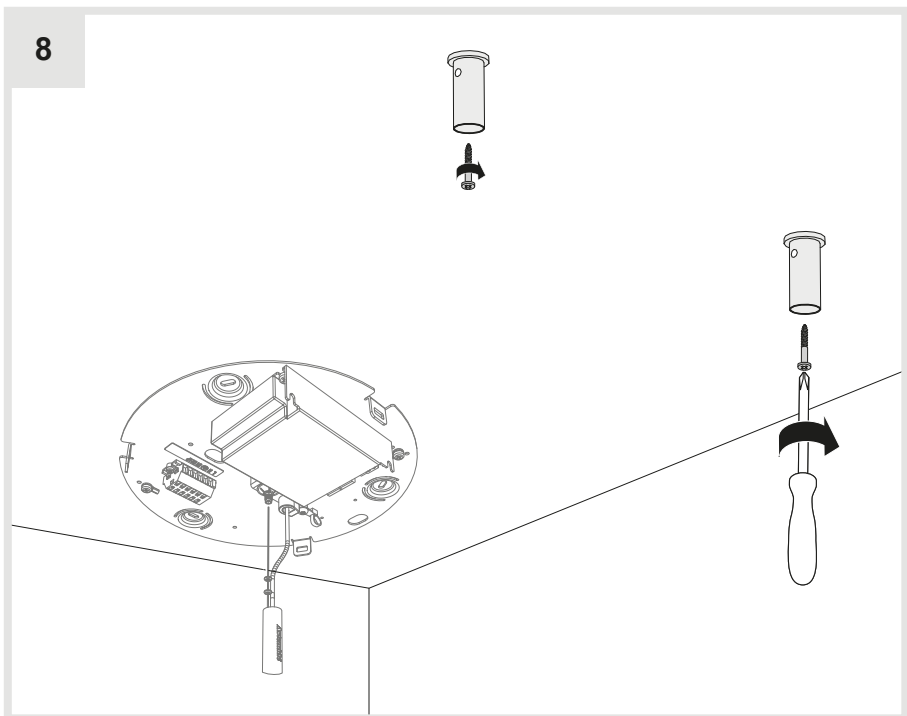
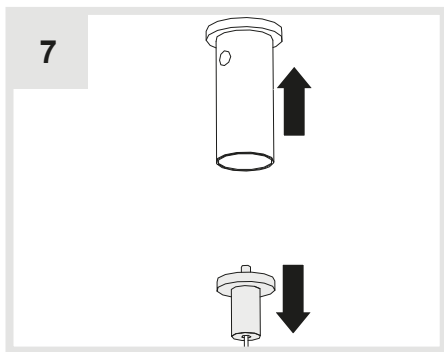
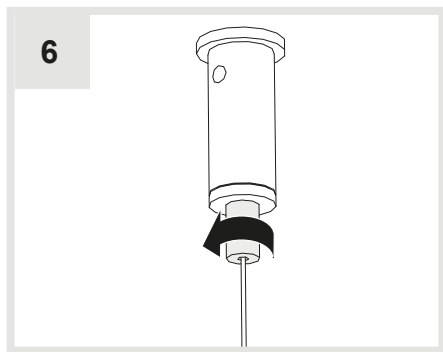
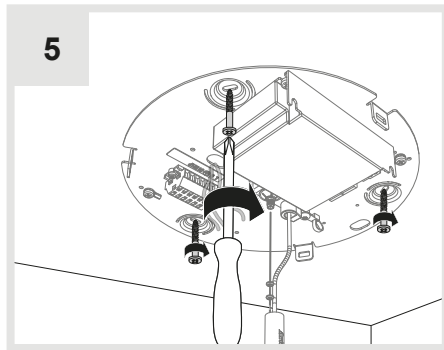
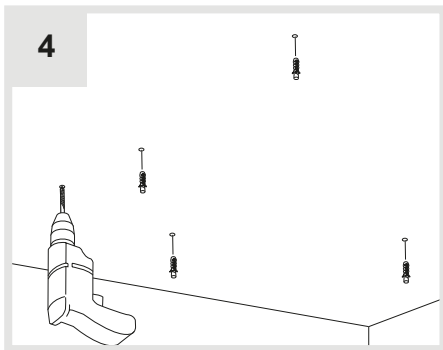


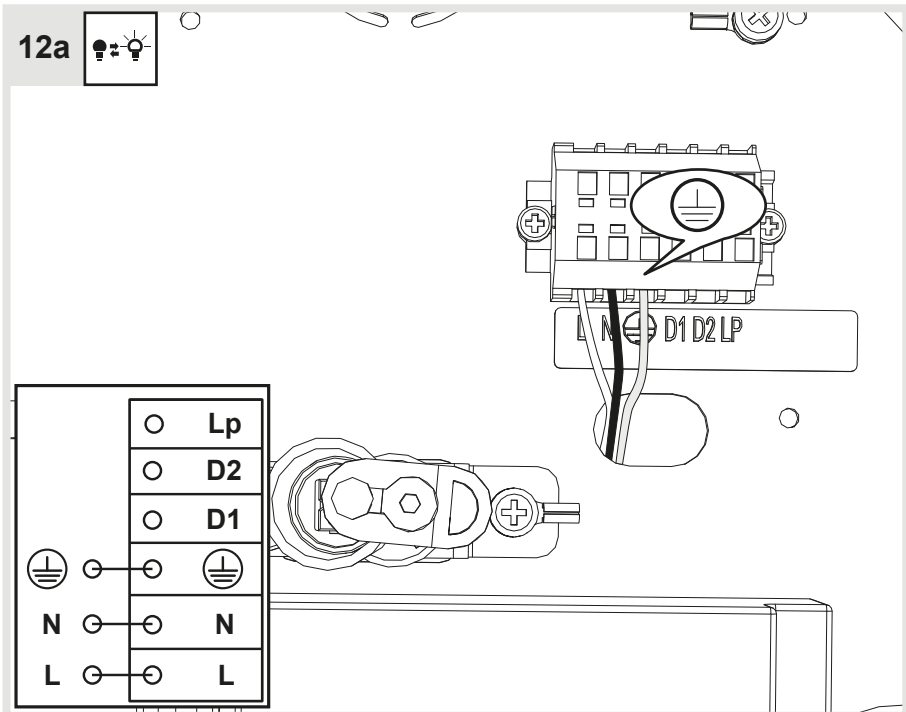
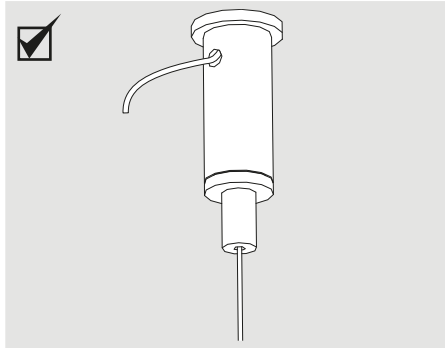
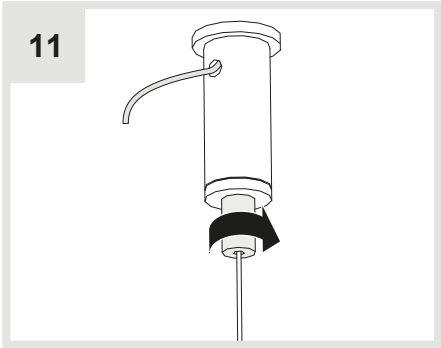
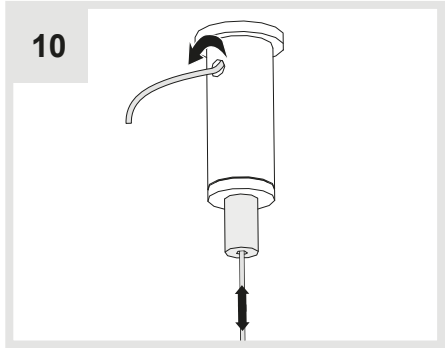
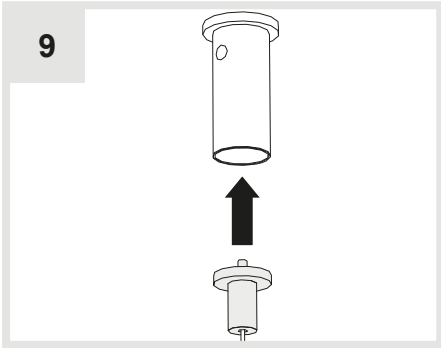
2



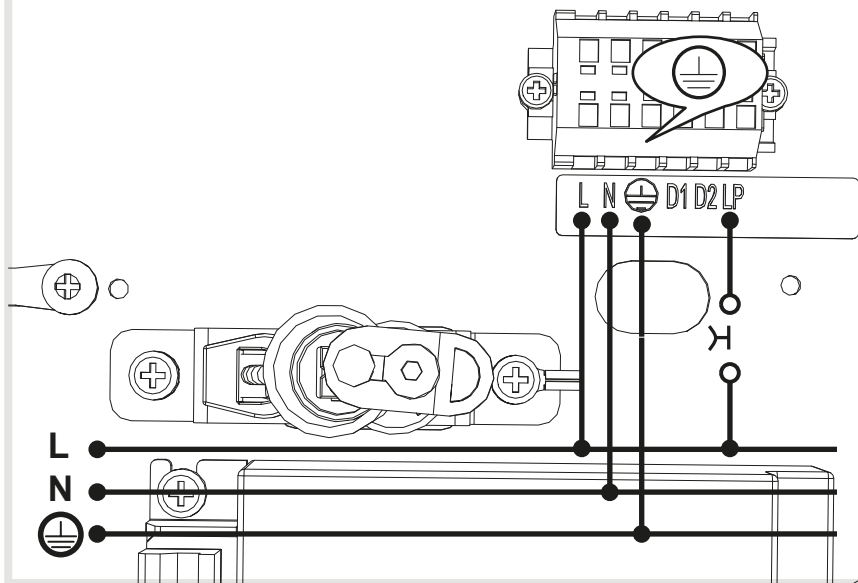
3



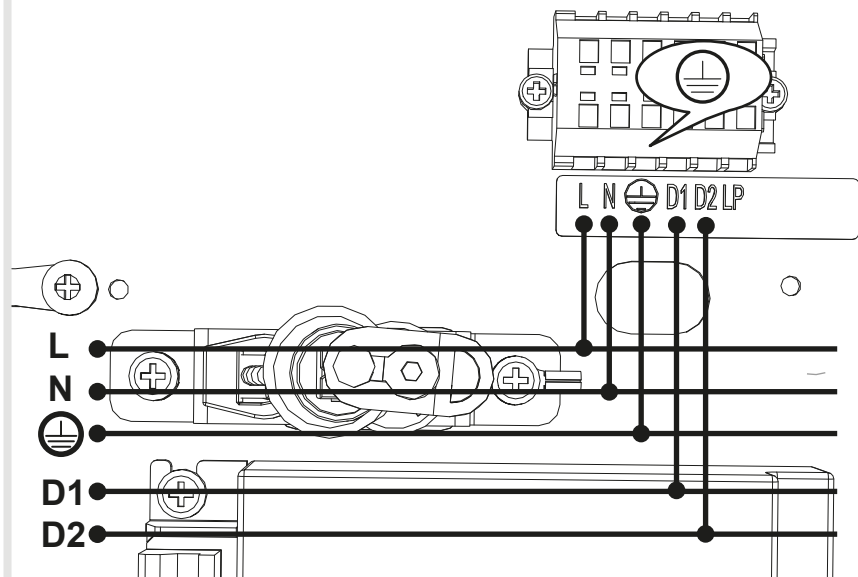




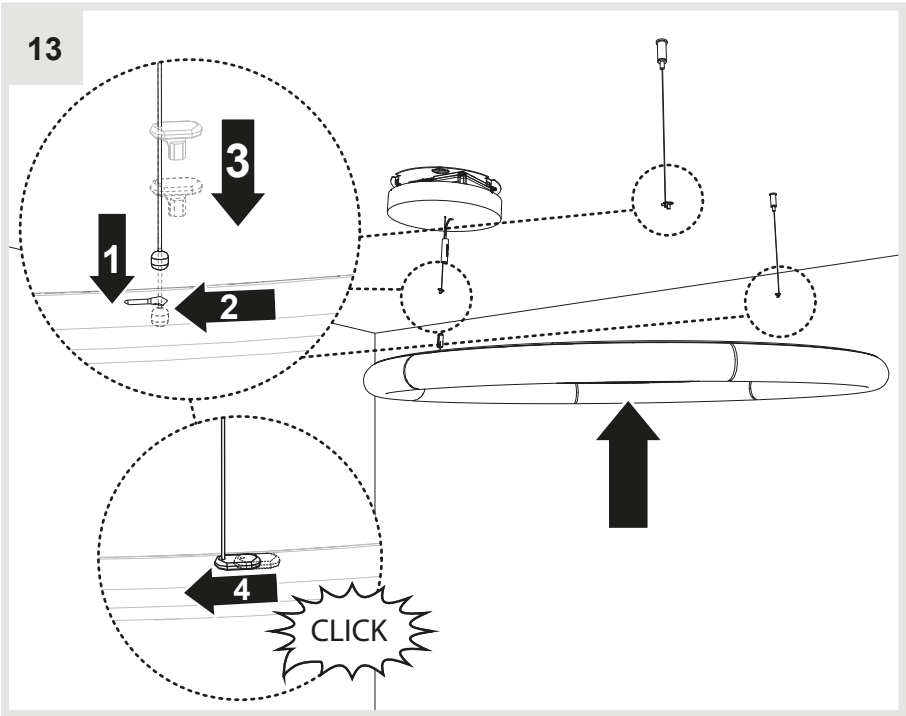
12b



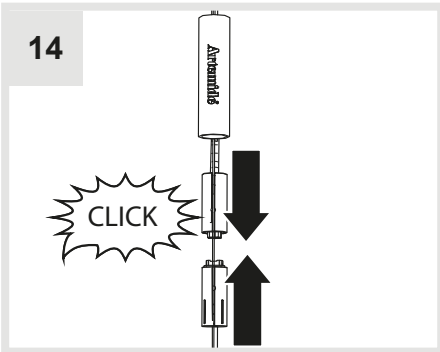
12c



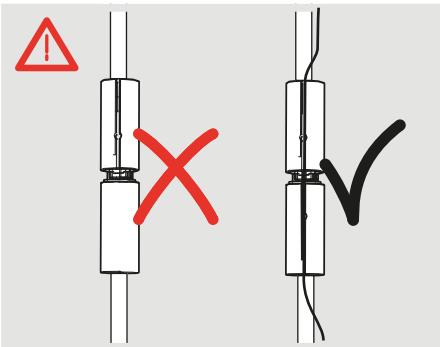
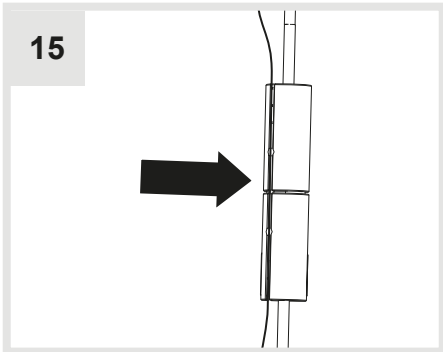
13



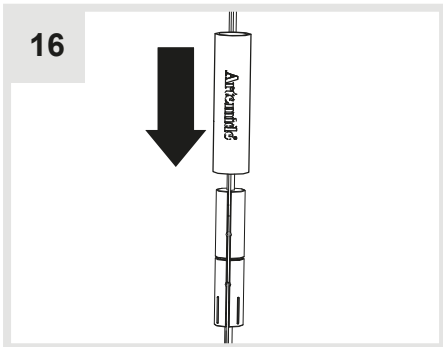
14



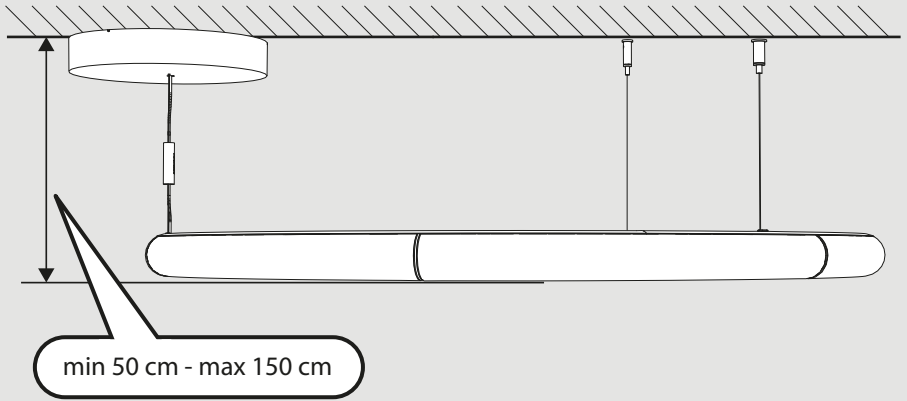
15



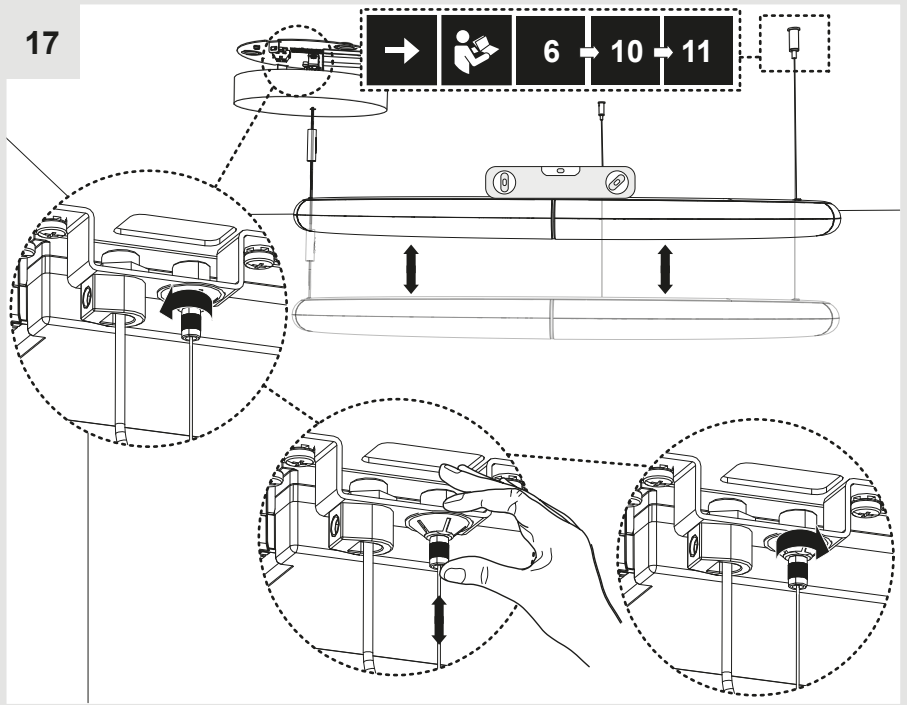
16



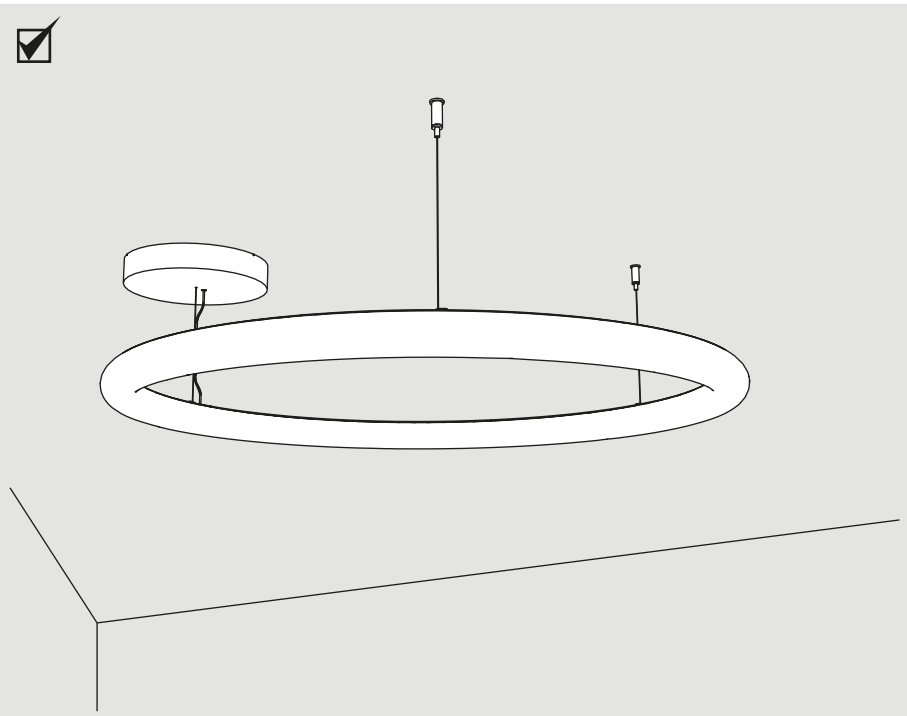
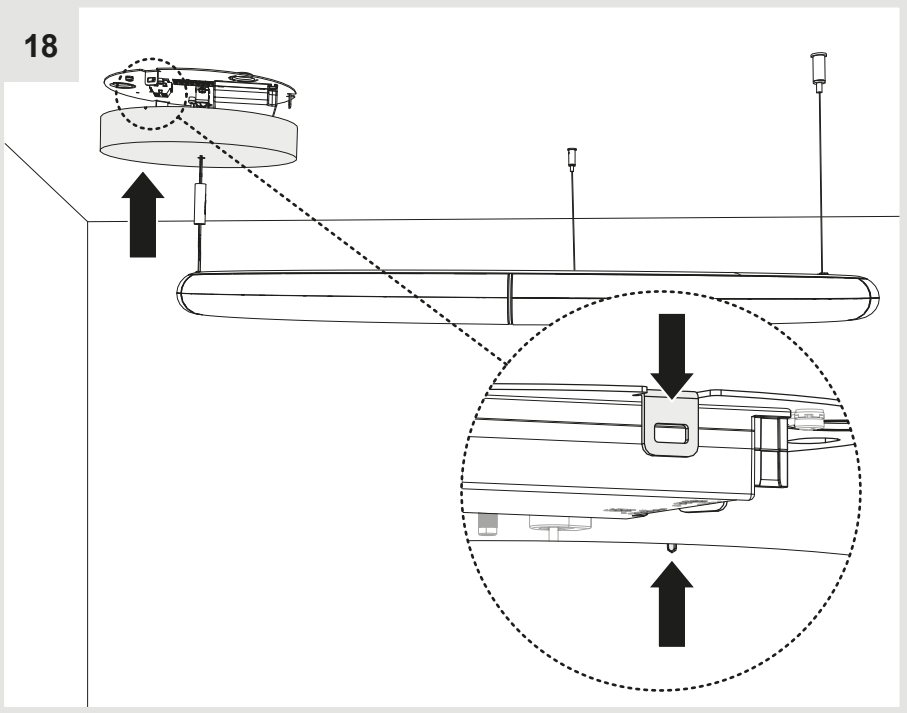
i

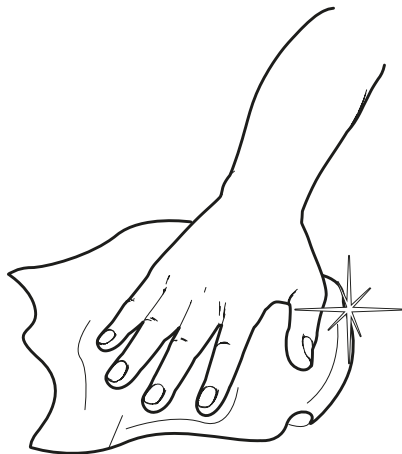


17

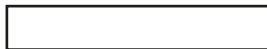


18





Artemide®



Artemide

via Bergamo, 18
20006 Pregnana M.se (MI)
ITALIA

tel. +39 02 935 181
fax +39 02 935 90 254
fax +39 02 935 90 496

www.artemide.com

VAT IT00846890150

cod. Y513000819B