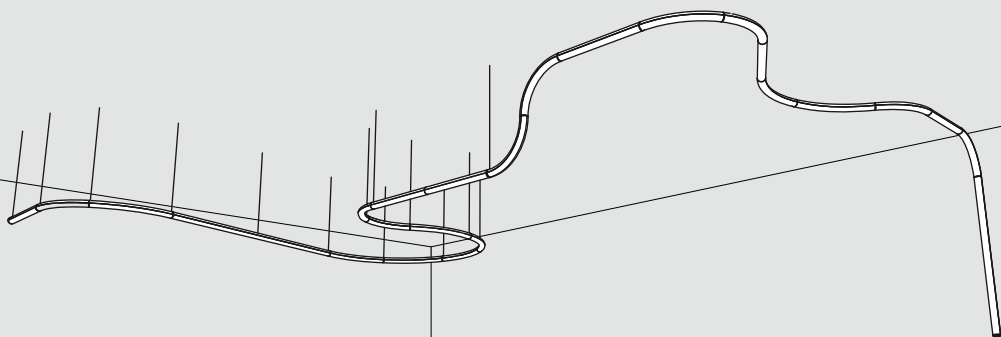


Artemide®

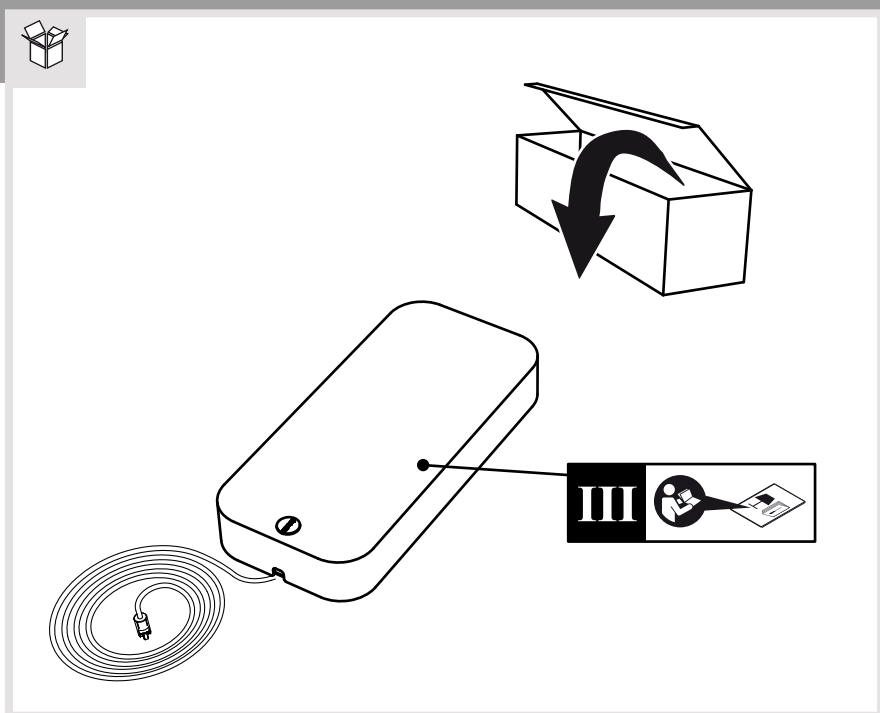
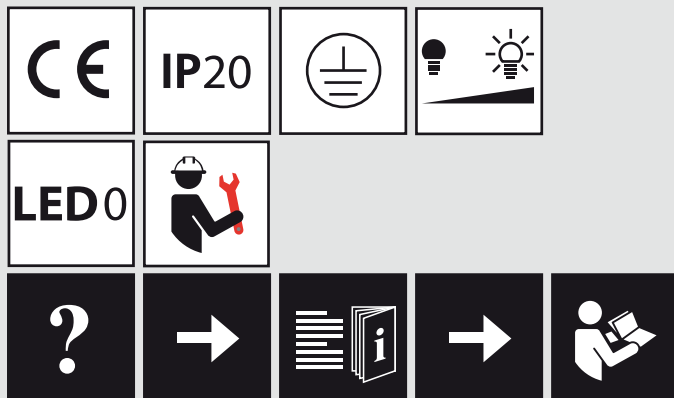
Alphabet of light system

design
BIG

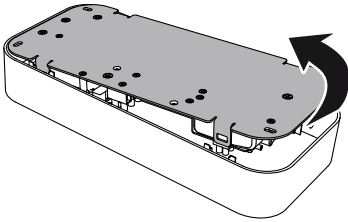




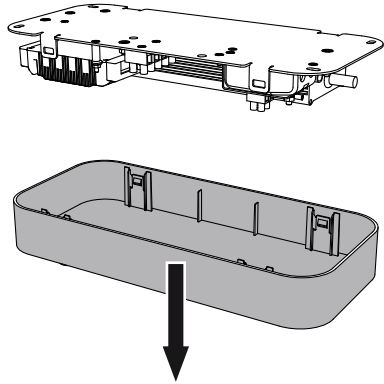
i



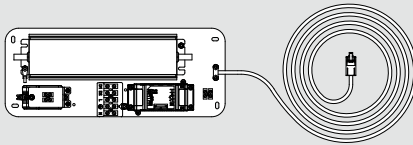
1



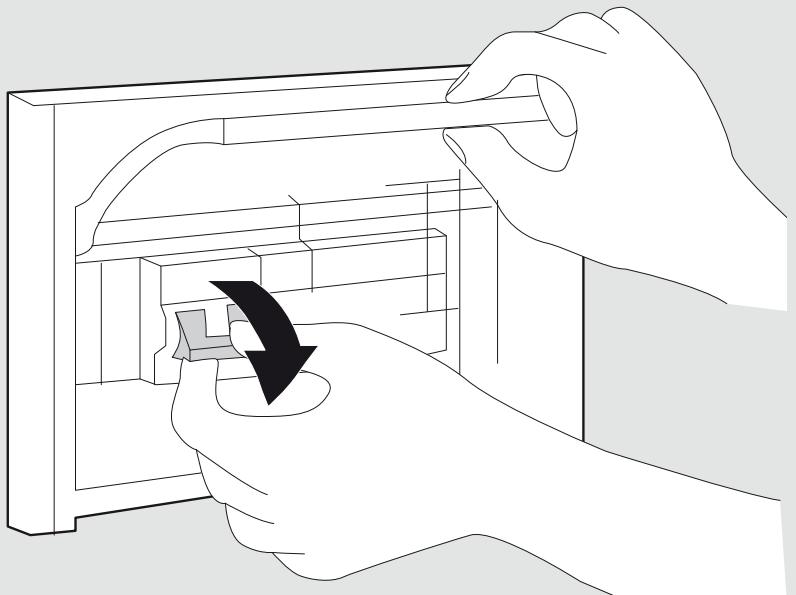
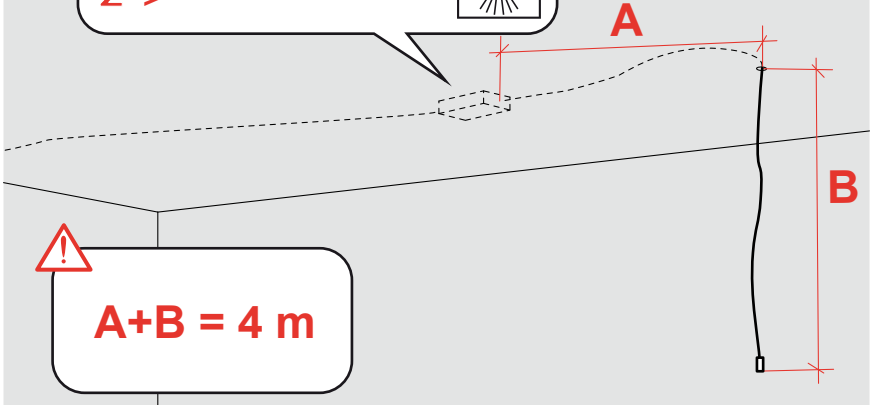
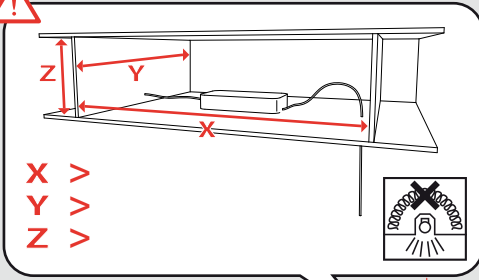
2



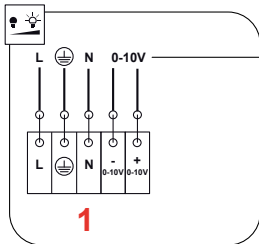
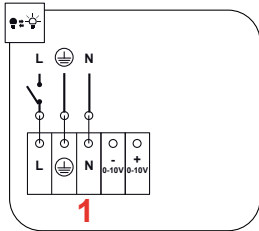
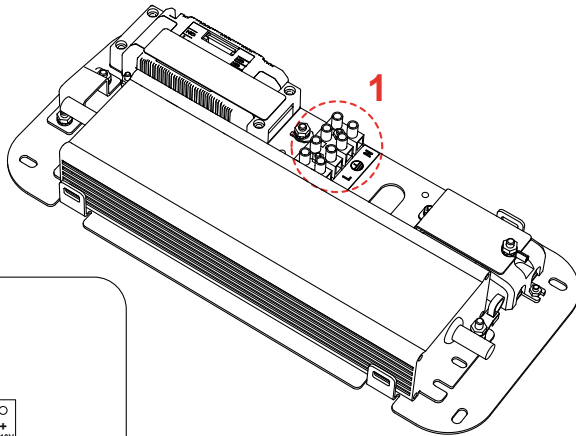
i



i

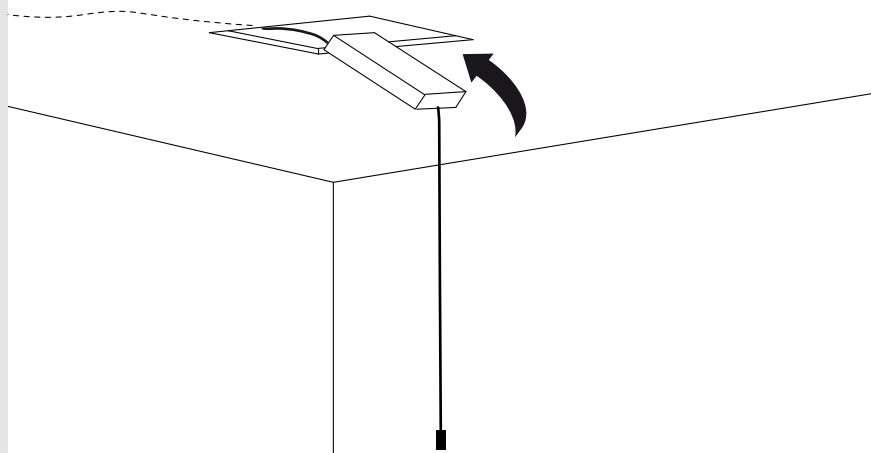


A1

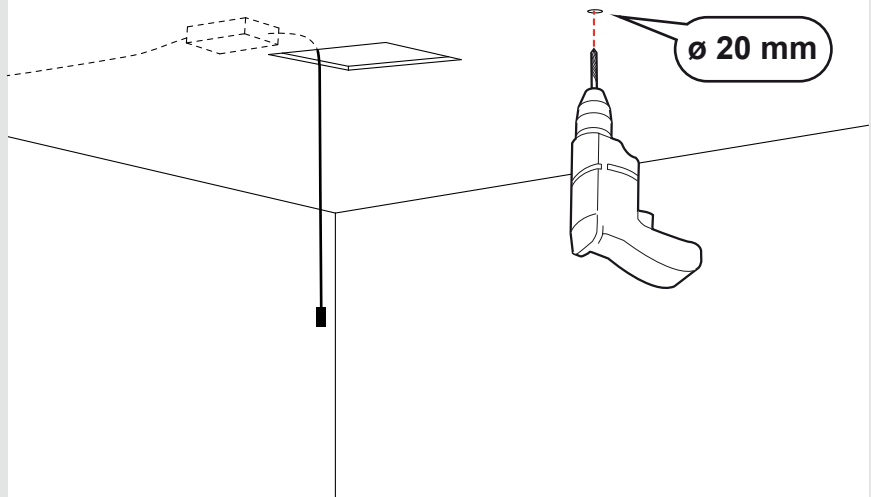


Notice on 0-10V:
this control circuits is not insulated, use only insulated
0-10Vsource generator.

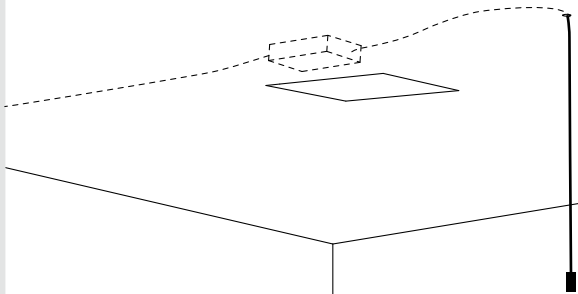
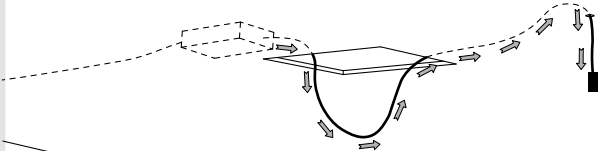
A2

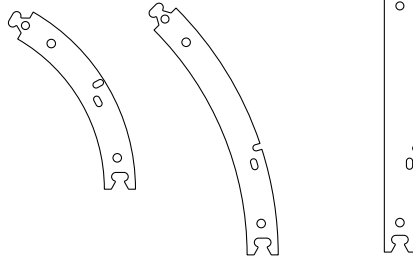
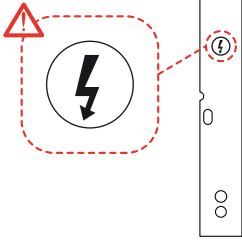
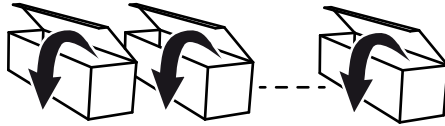
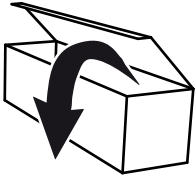


A3

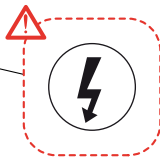
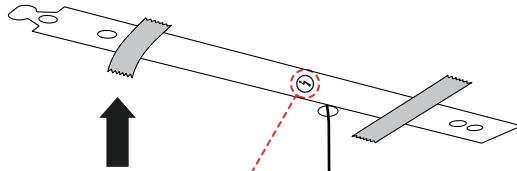


A4

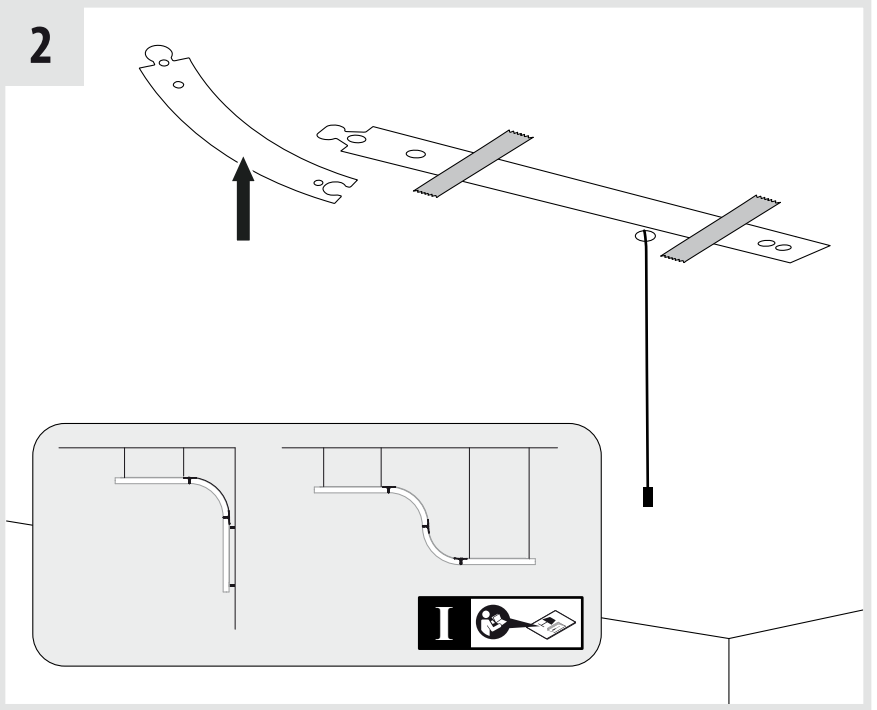




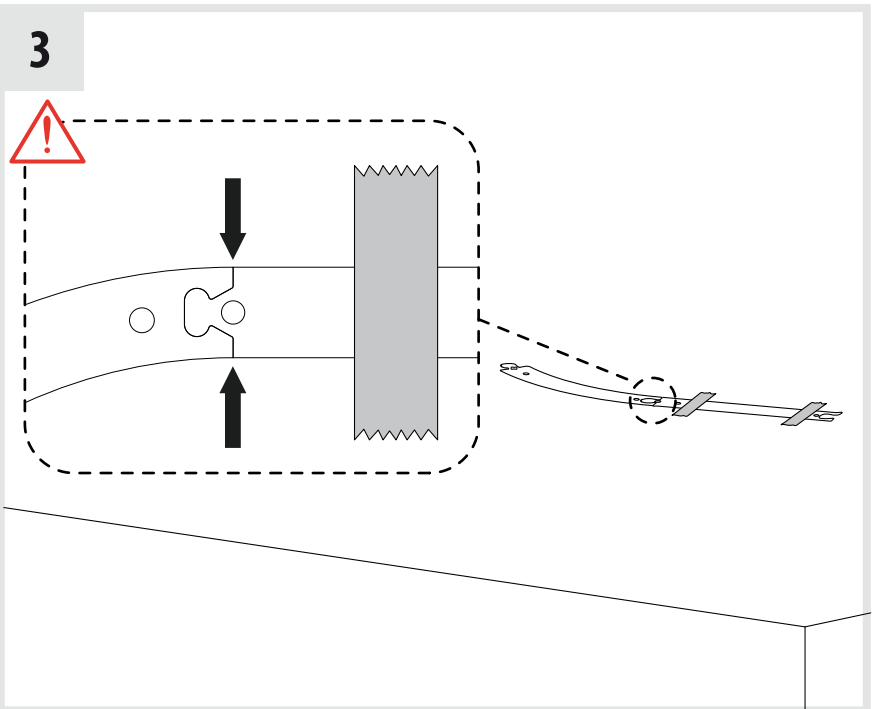
1



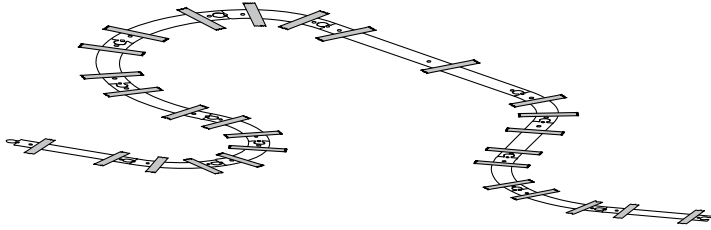
2



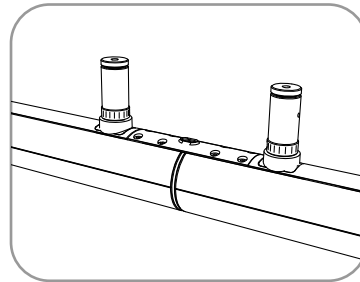
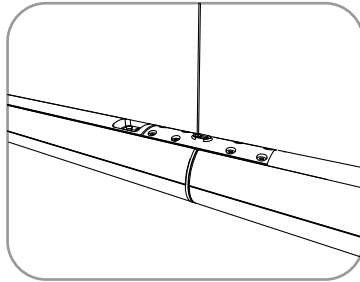
3

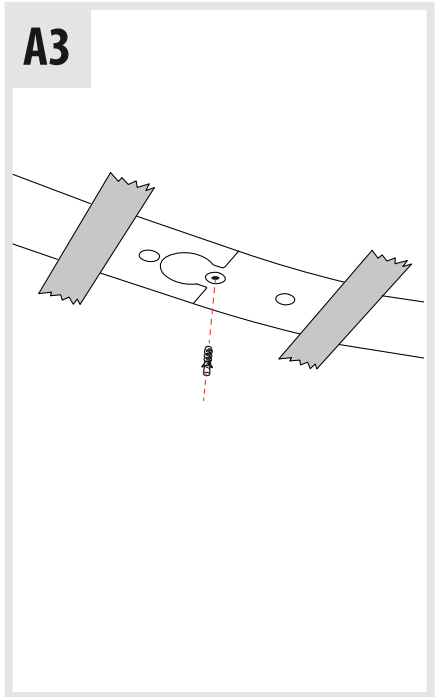
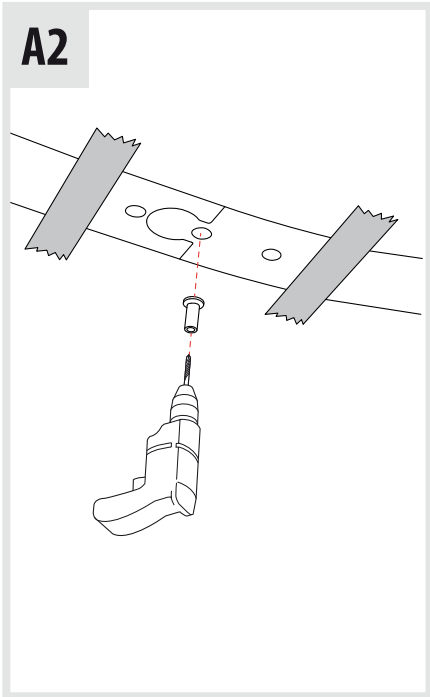
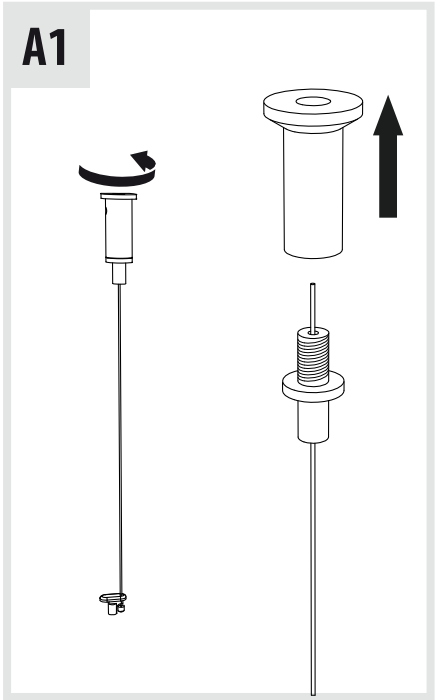
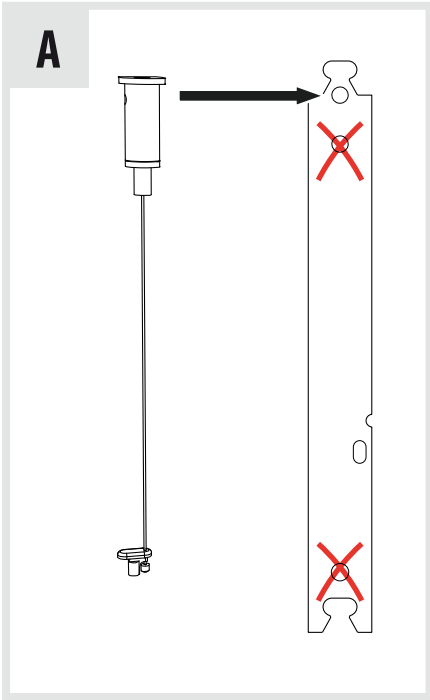


4

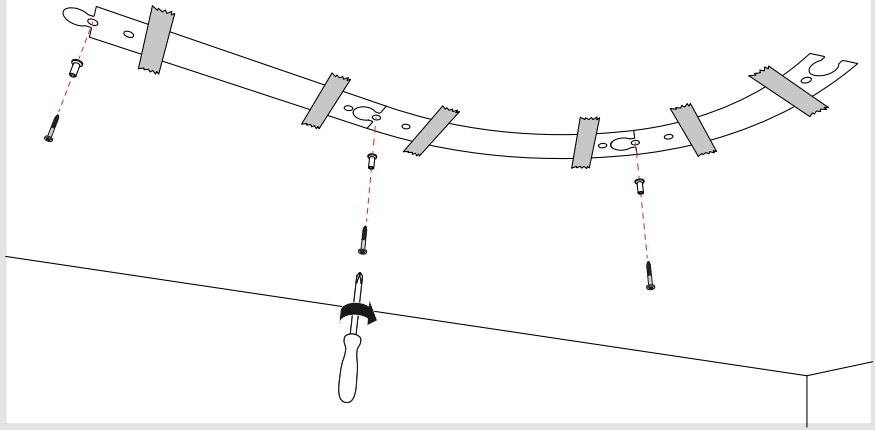


i

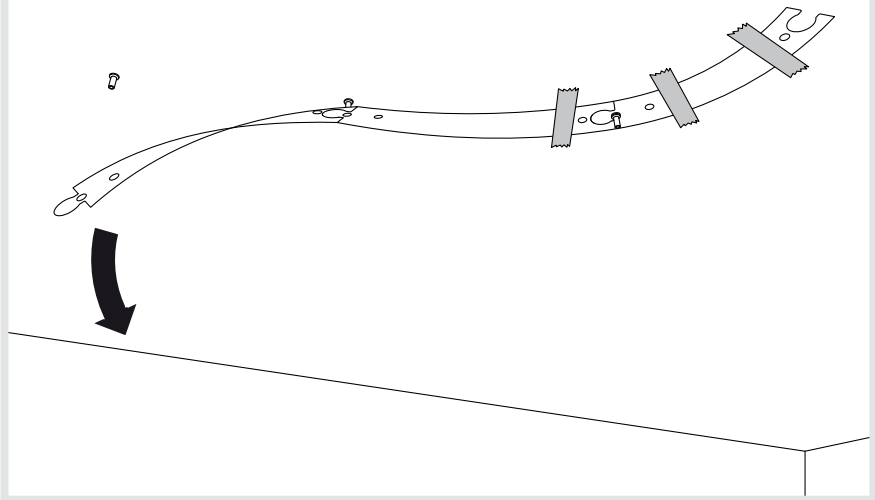




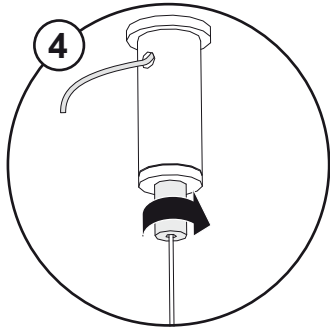
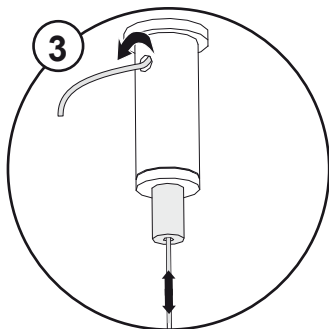
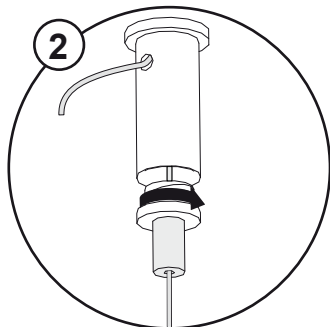
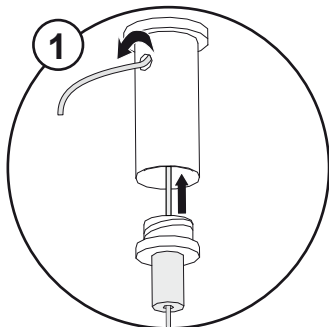
A4

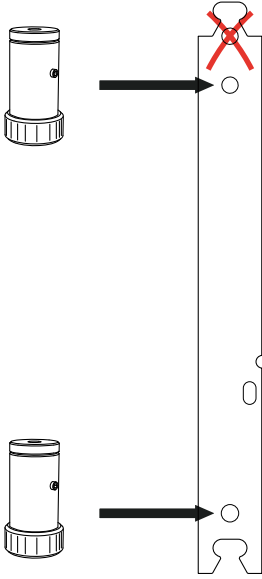
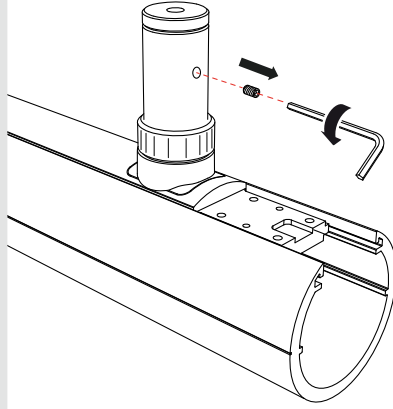
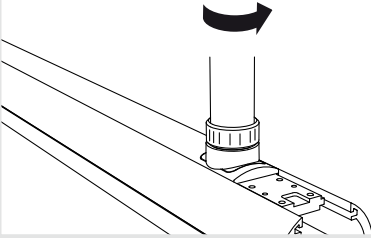
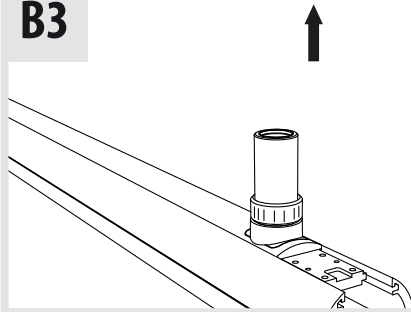
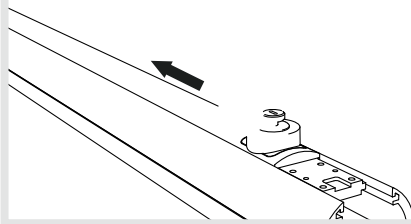


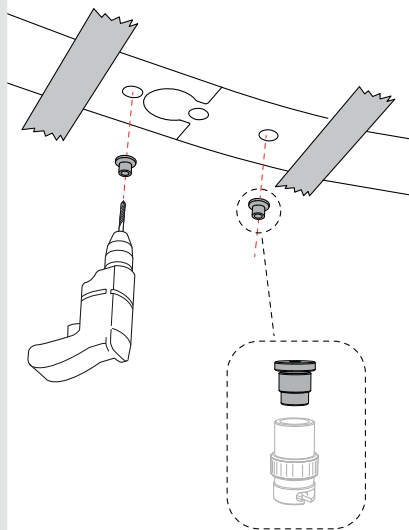
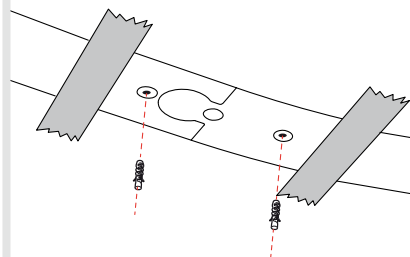
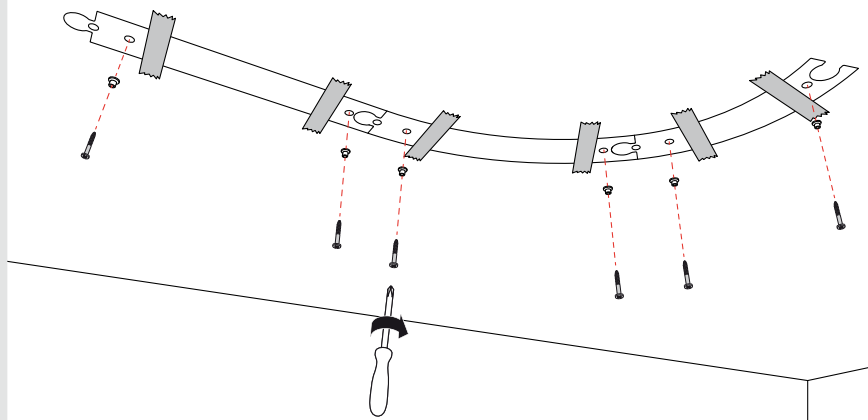
A5



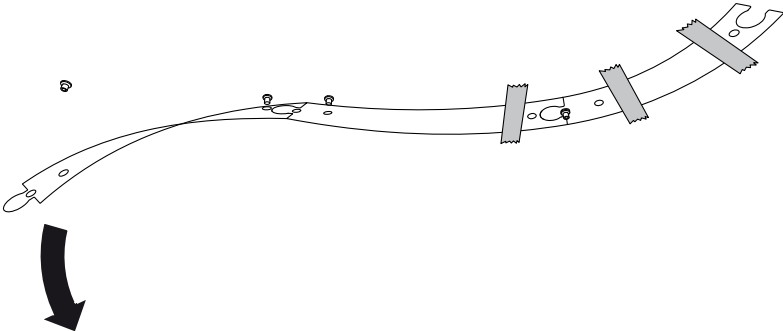
A6



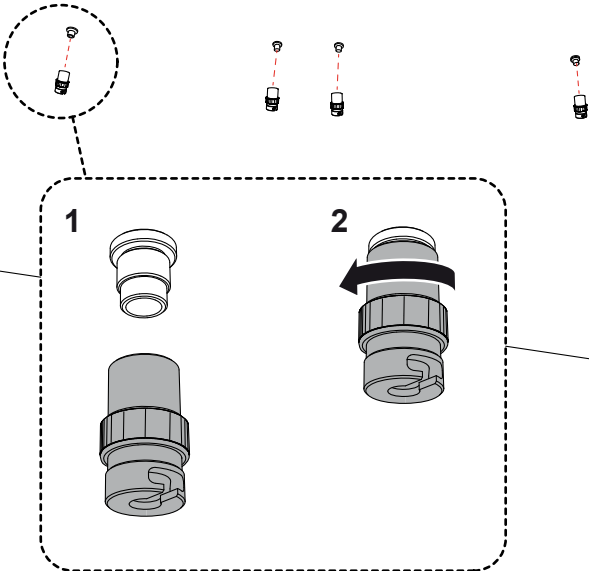
B**B1****B2****B3****B4****B5**

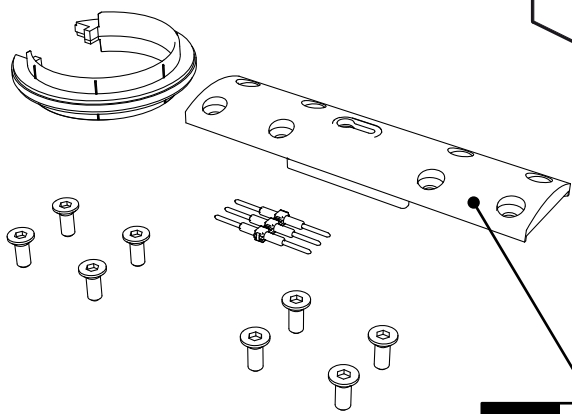
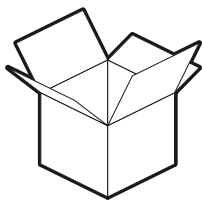
B6**B7****B8**

B9

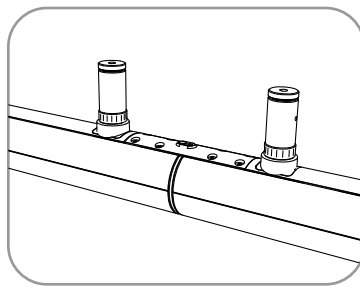
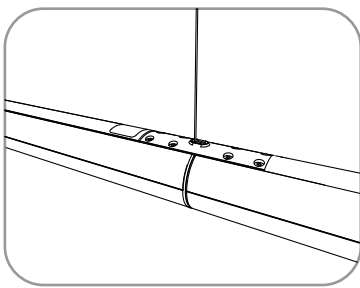


B10

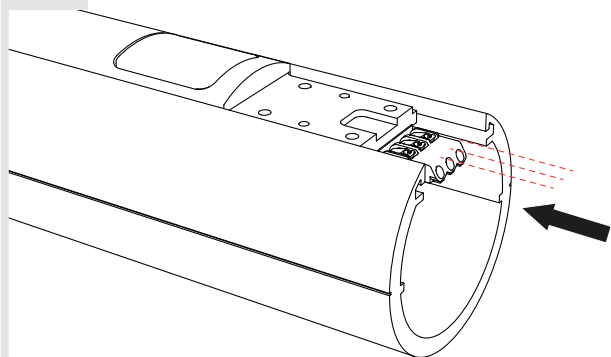




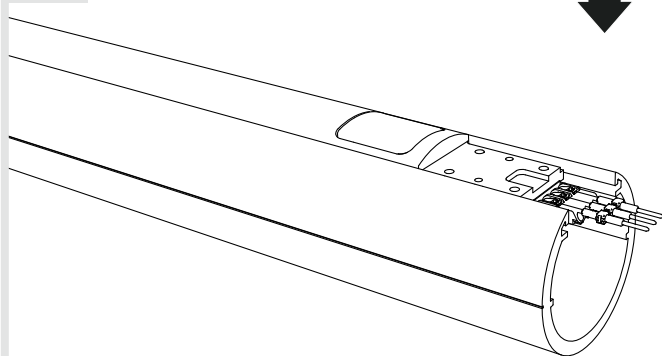
i



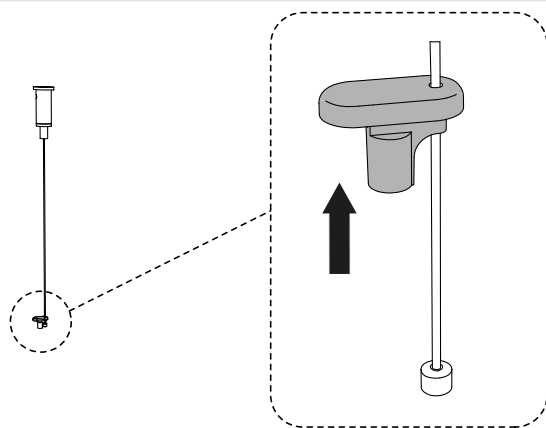
C1



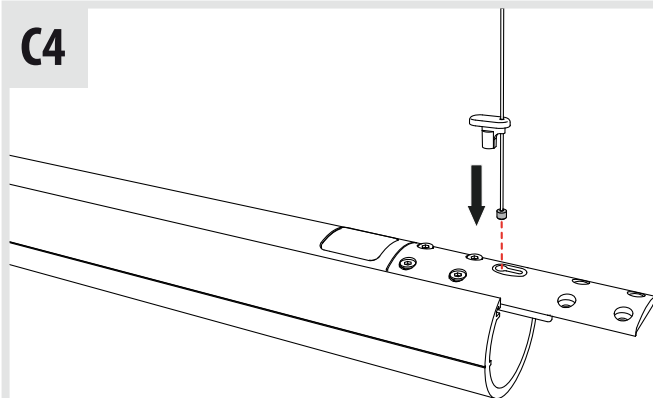
C2



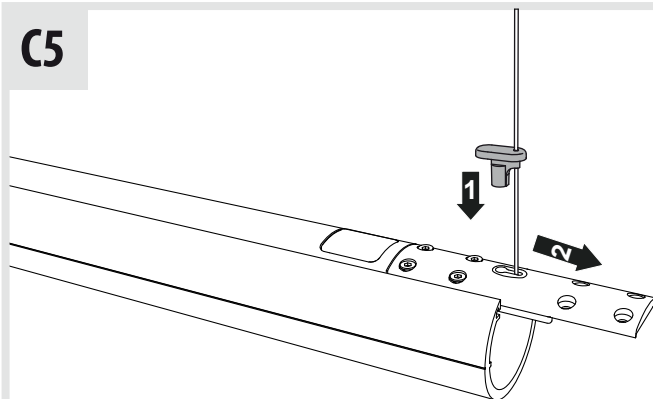
C3



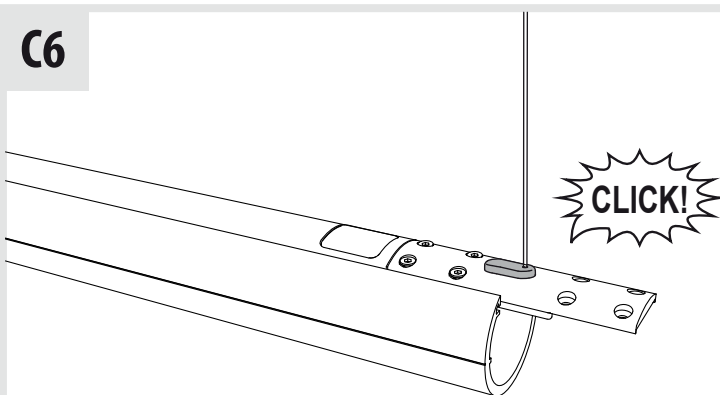
C4



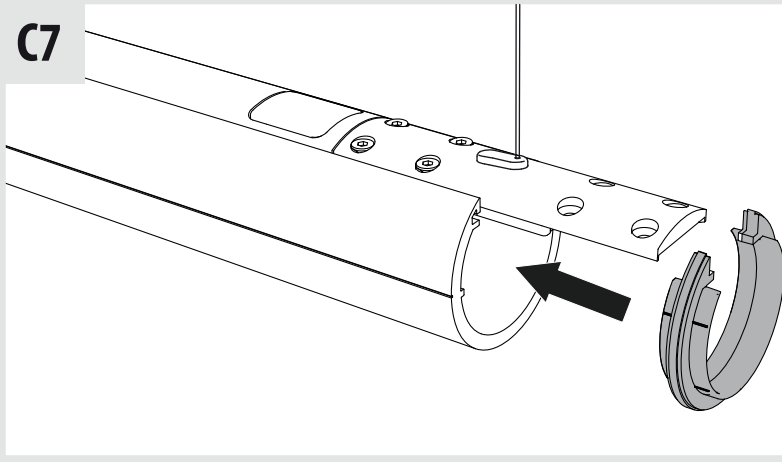
C5



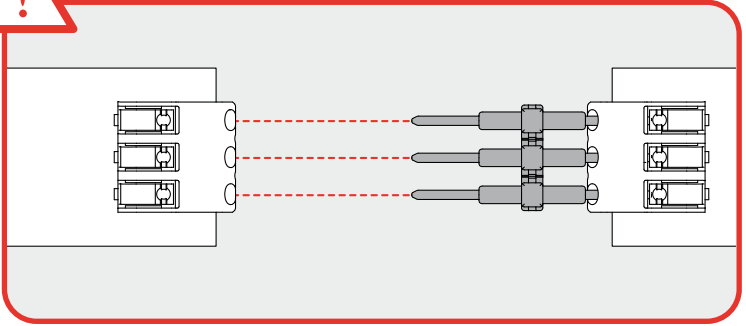
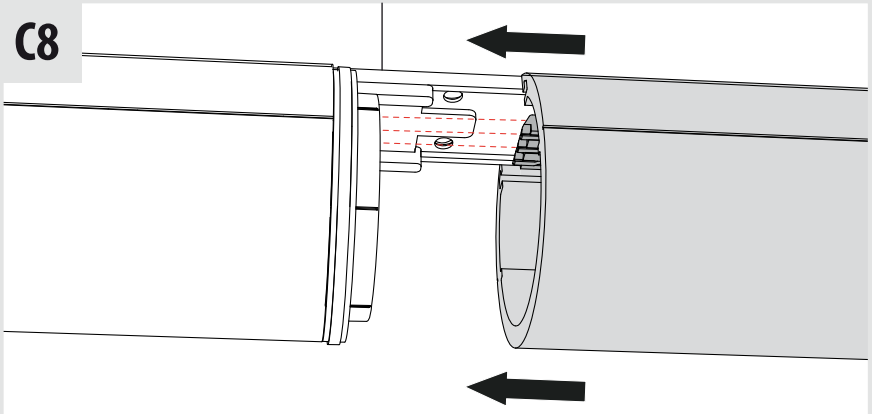
C6

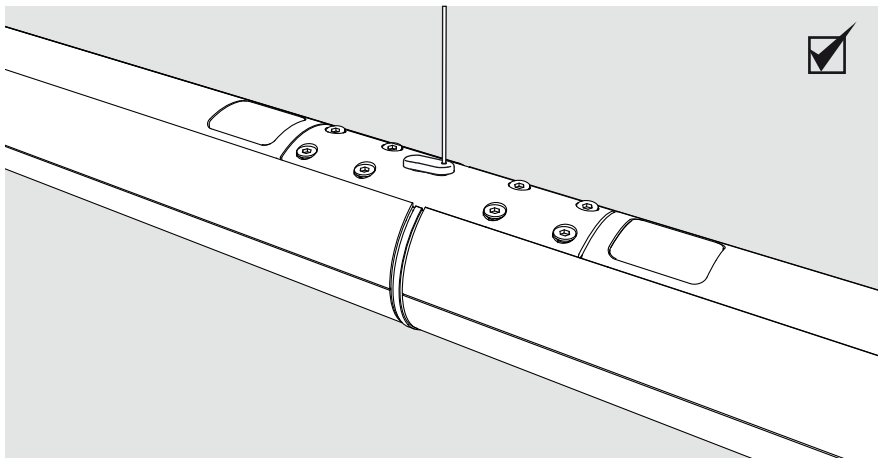
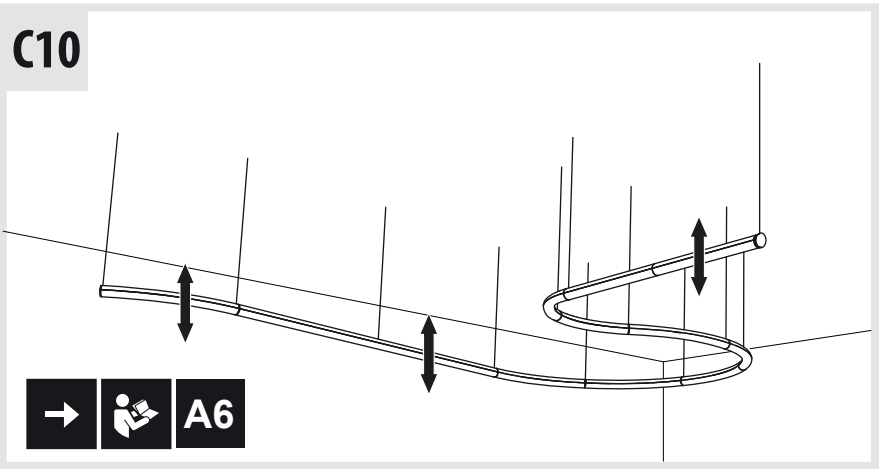
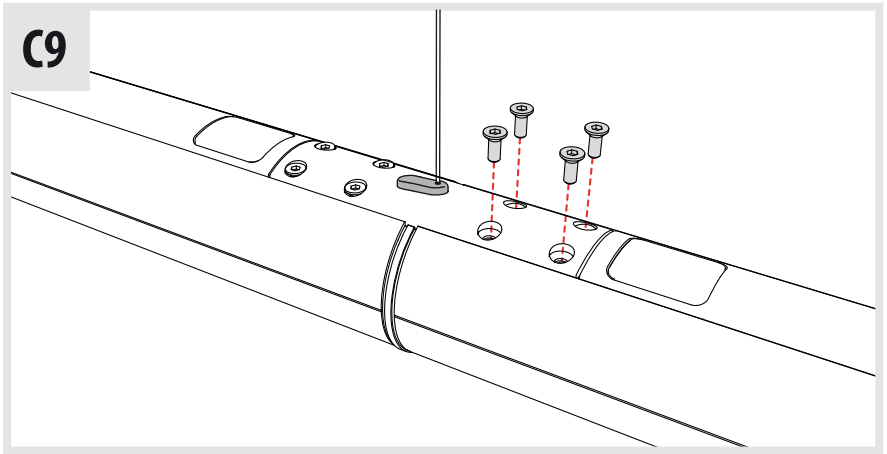


C7

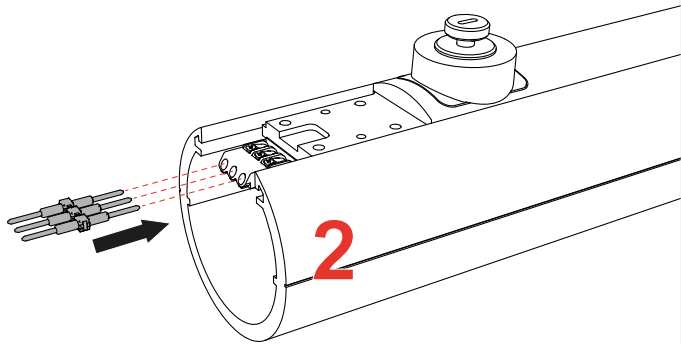
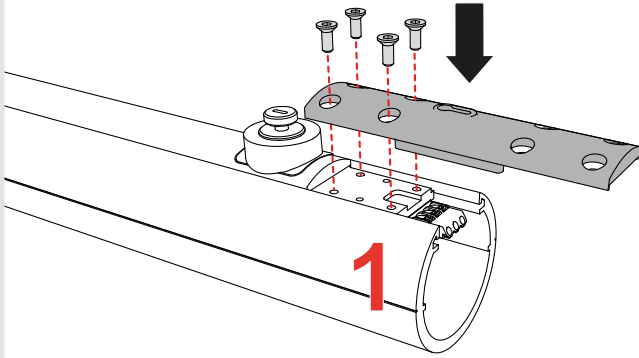


C8

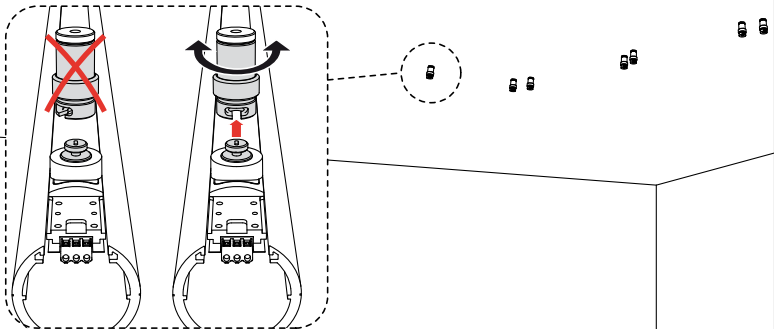




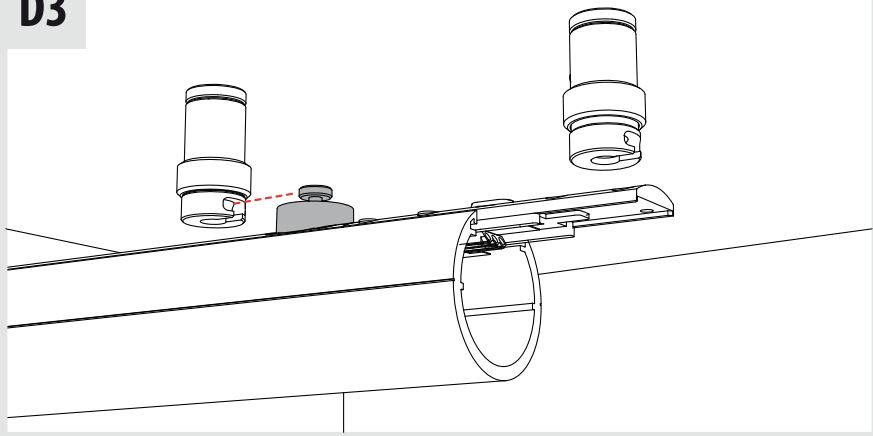
D1



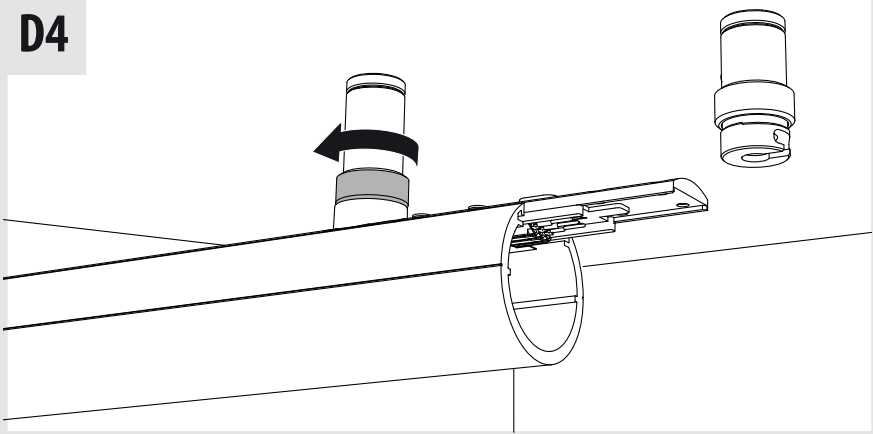
D2



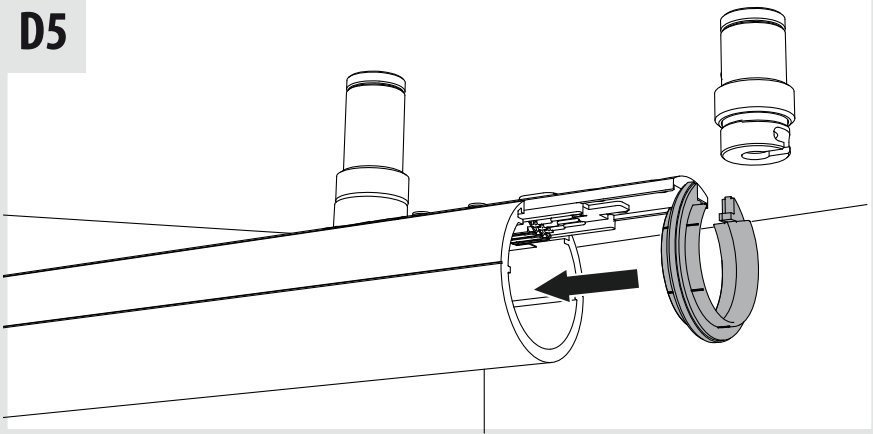
D3



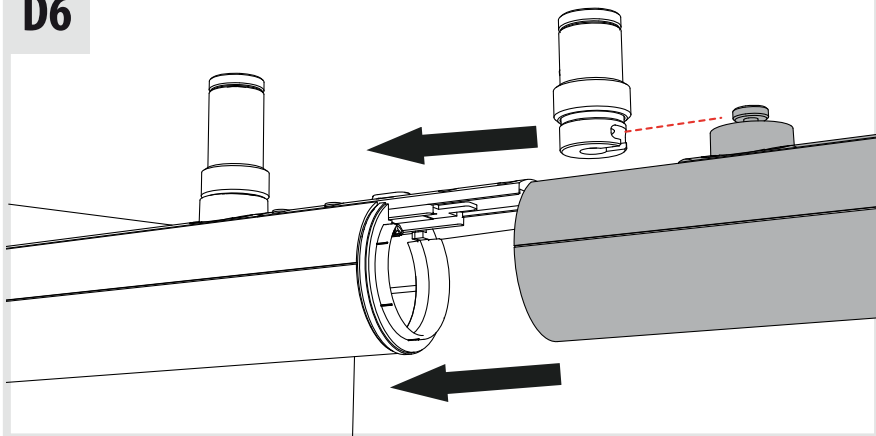
D4



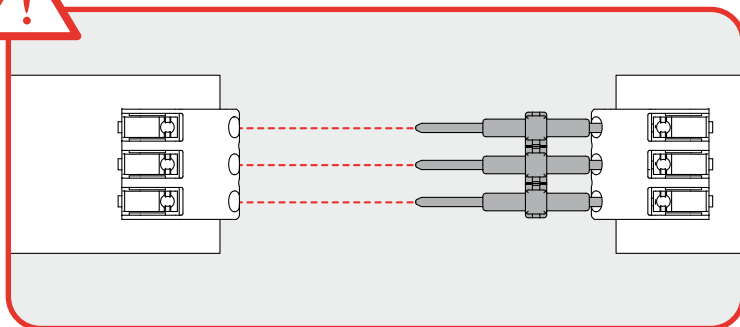
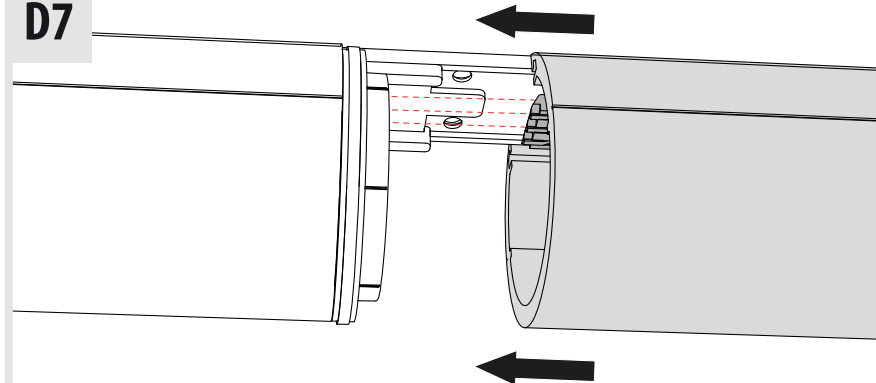
D5



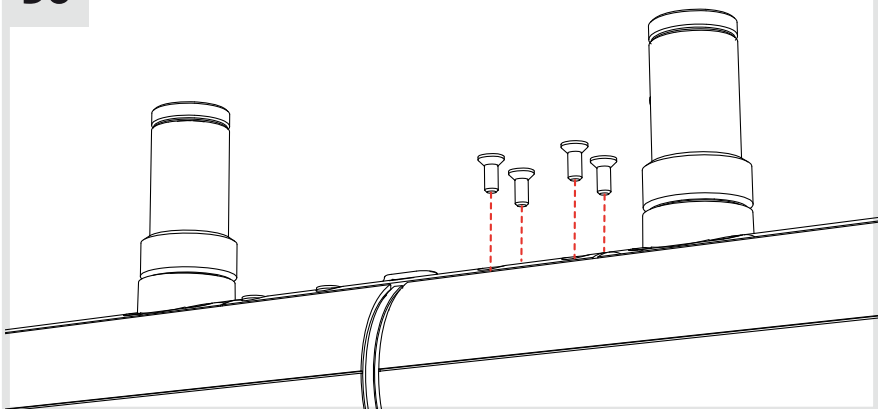
D6



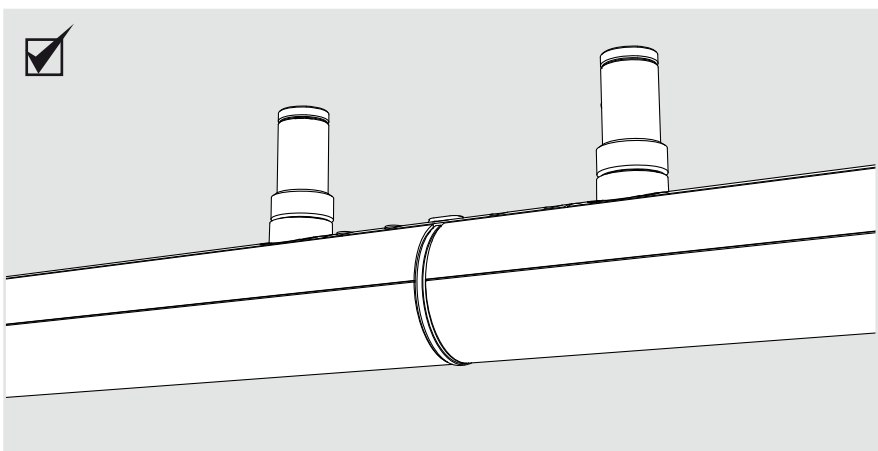
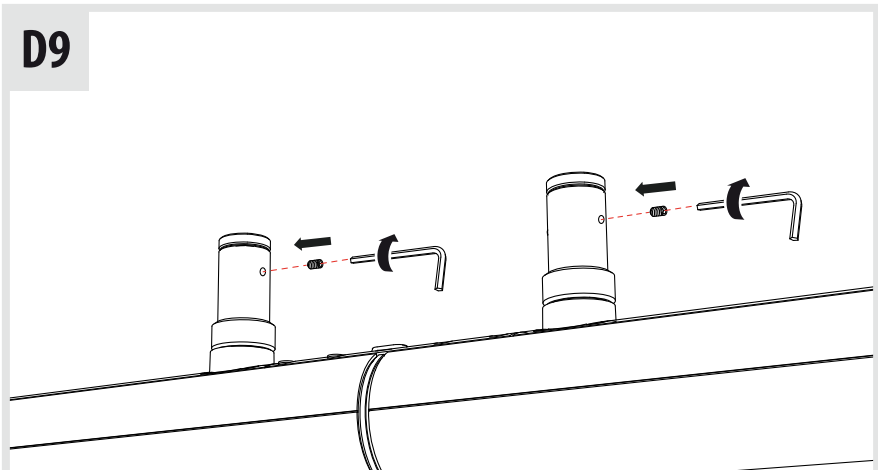
D7



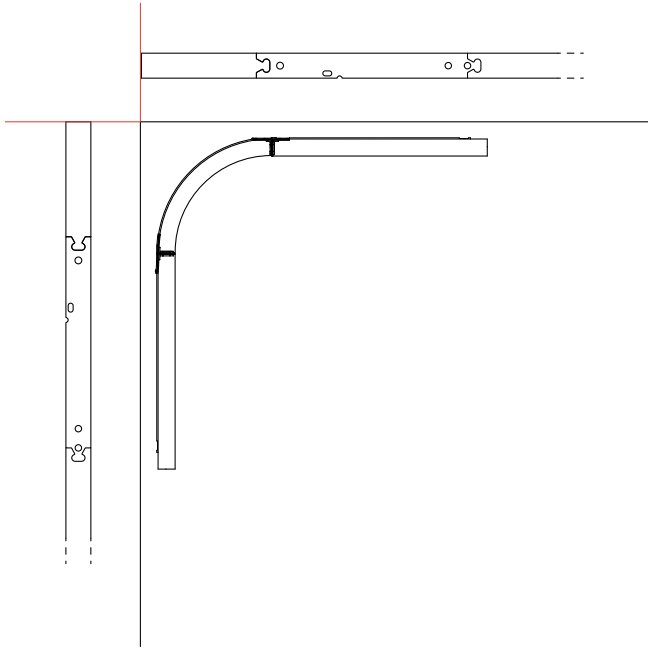
D8



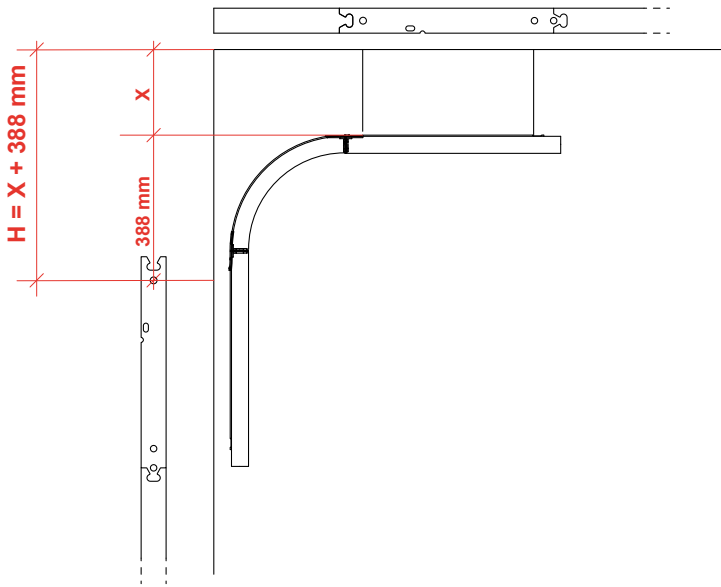
D9



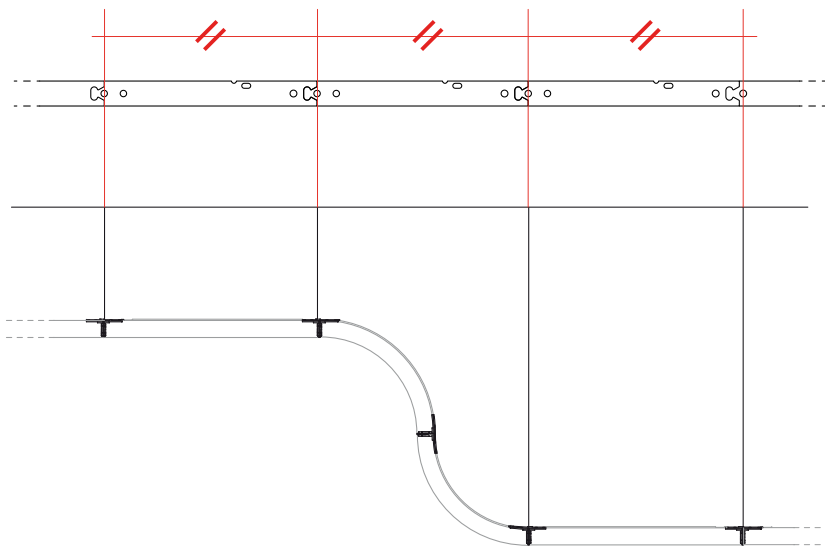
Ia



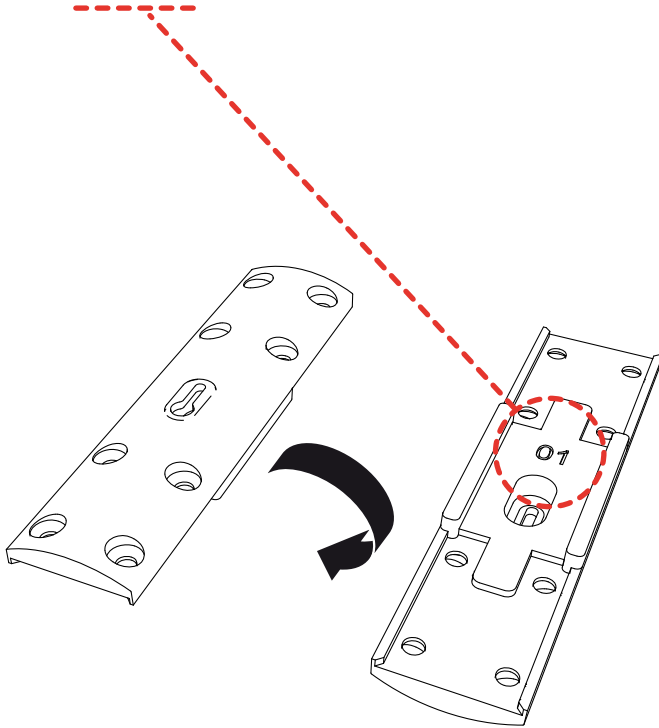
Ib



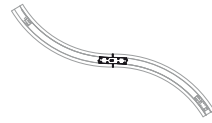
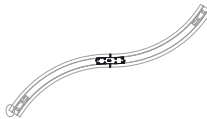
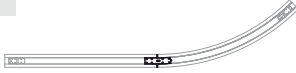
Ic

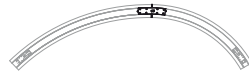
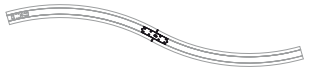


II

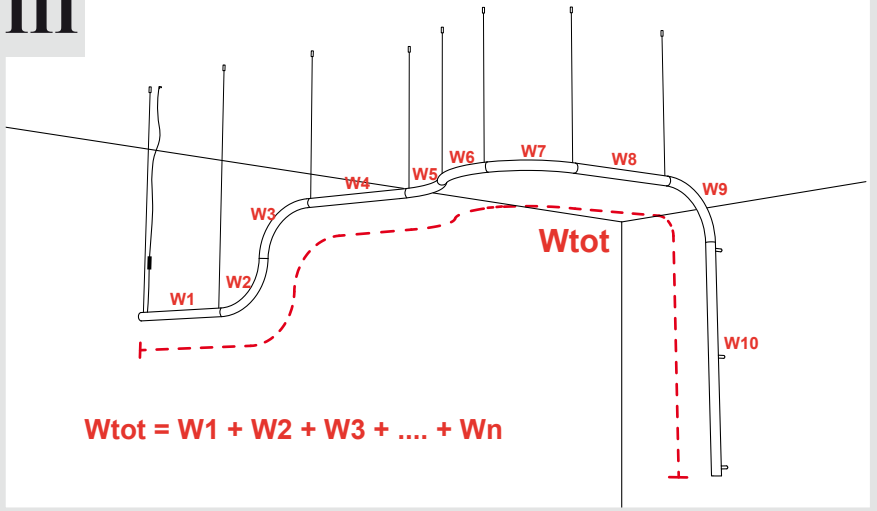


i



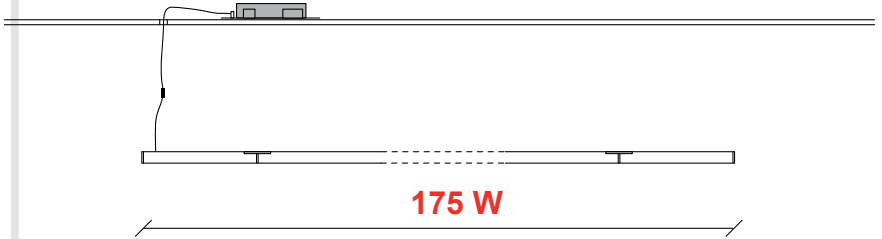


III



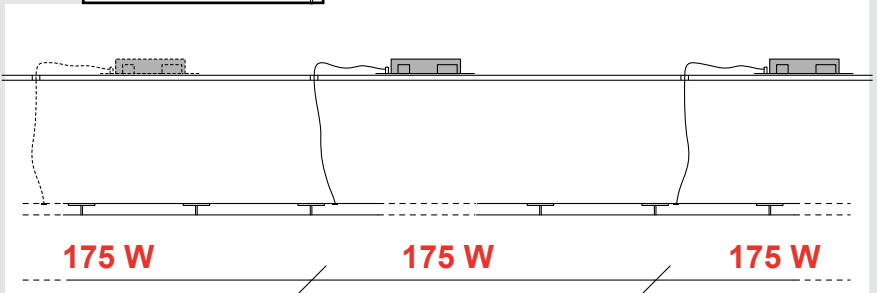
i

$W_{tot} \leq 175 \text{ Watt}$



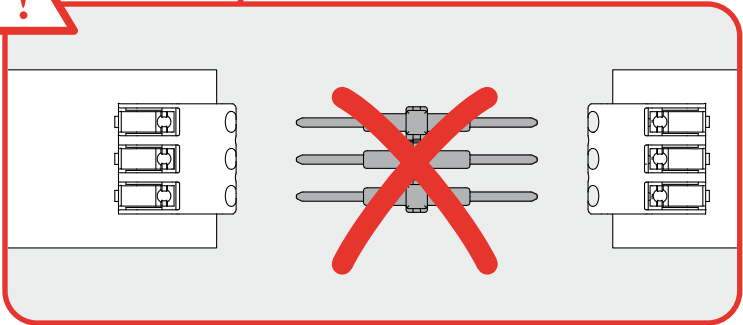
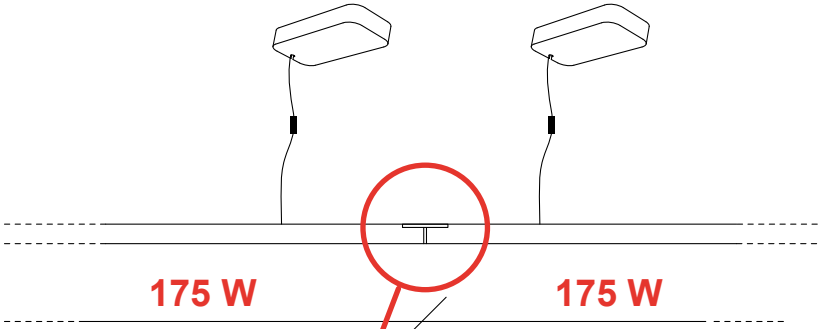
i

$W_{tot} \geq 175 \text{ Watt}$



i

Wtot ≥ 175 Watt



Artemide®



Artemide

via Bergamo, 18
20010 Pregnana M.se (MI)
ITALIA

tel. +39 02 935 181
fax +39 02 935 90 254
fax +39 02 935 90 496

www.artemide.com

VAT IT00846890150

