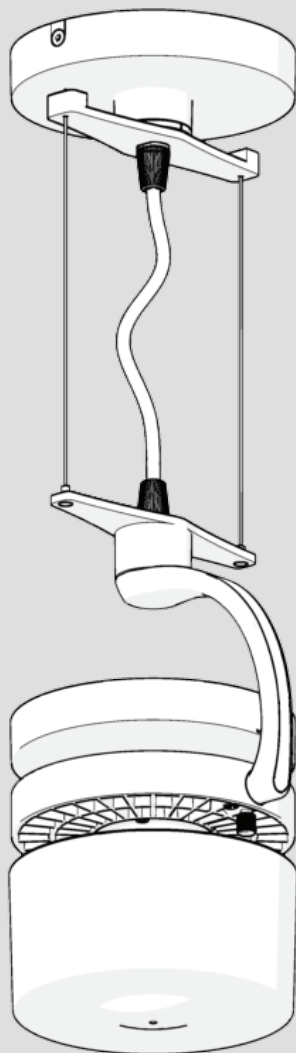
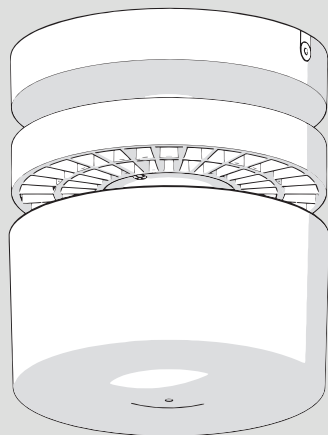


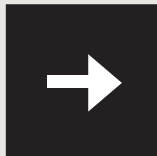
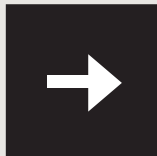
CATA

Design by
Carlotta de Bevilacqua

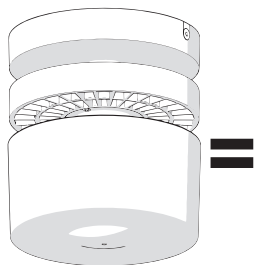




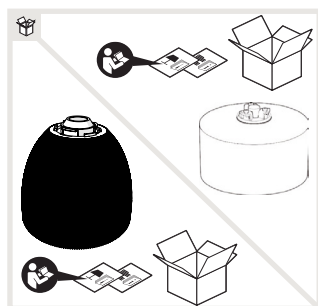
i



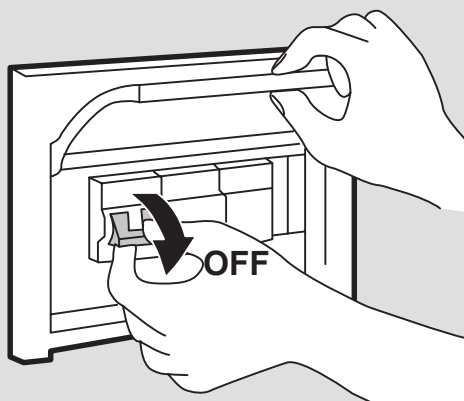
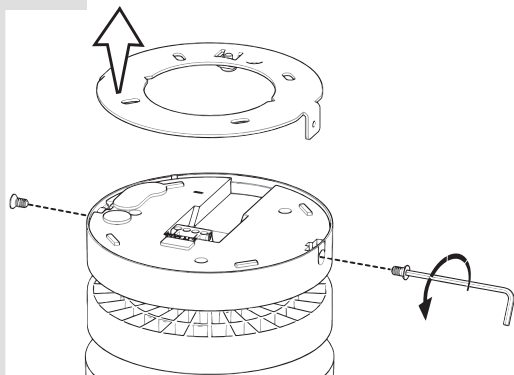
Ceiling Fix version

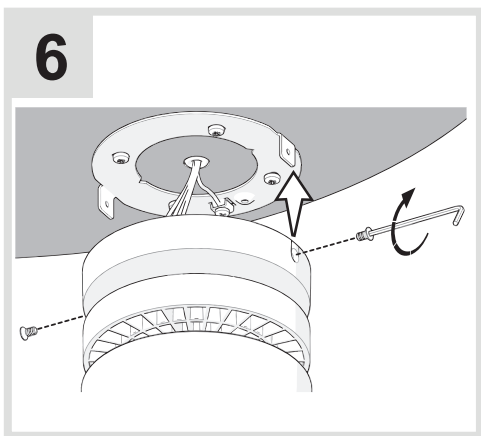
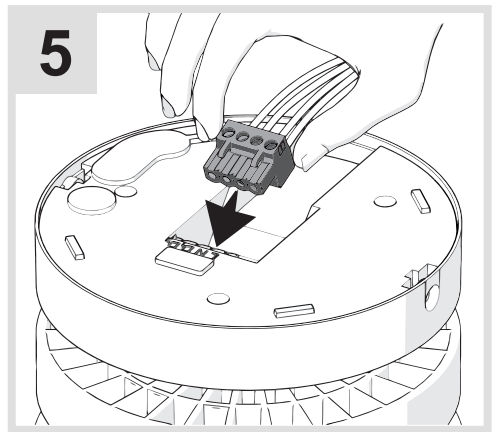
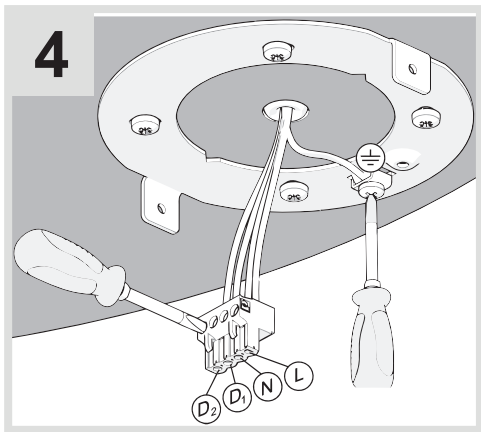
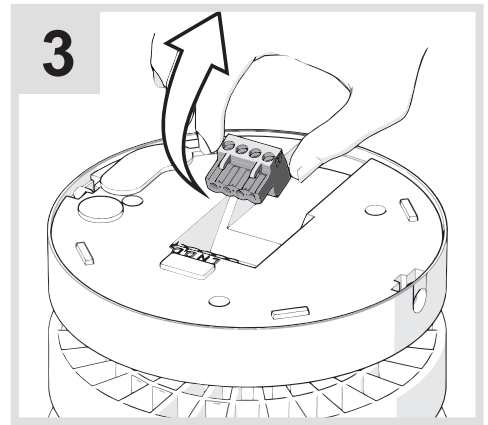
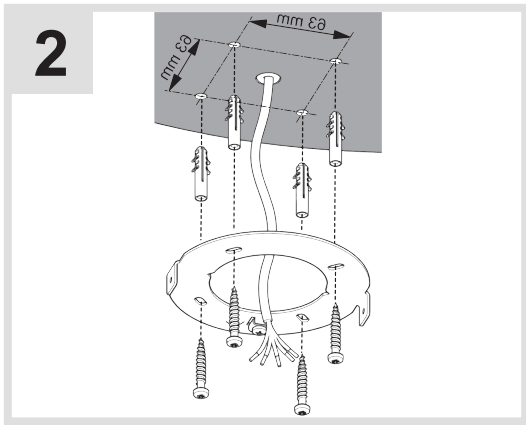


+

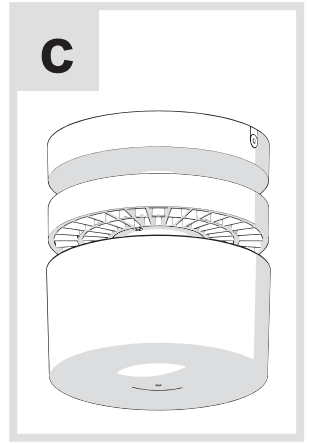
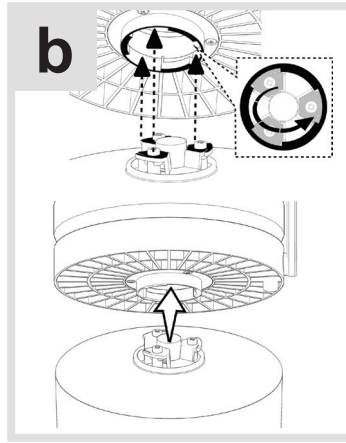
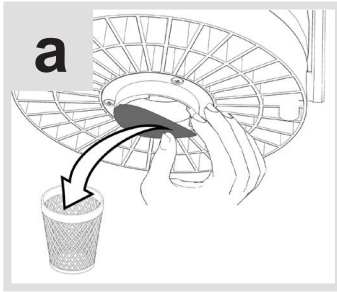


1





7

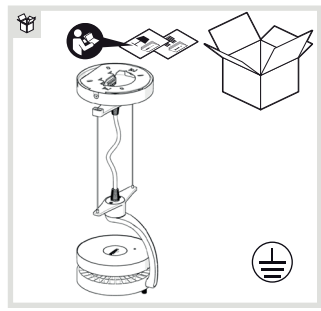




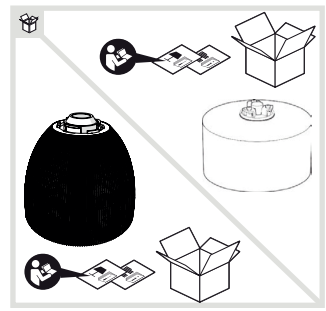
Suspension version



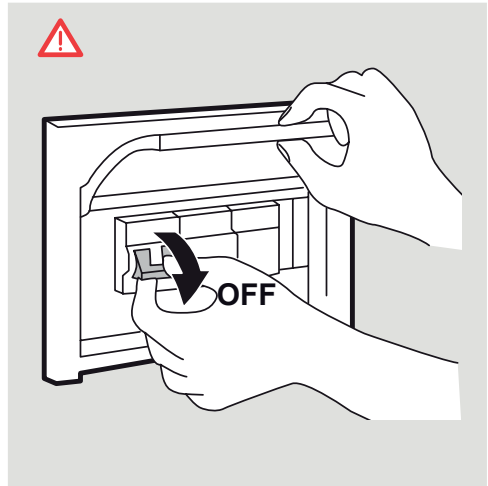
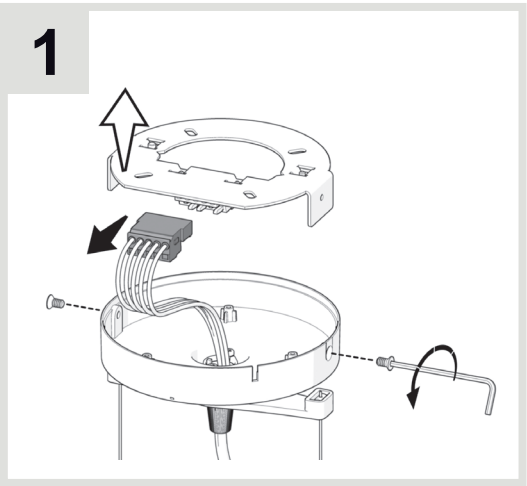
=



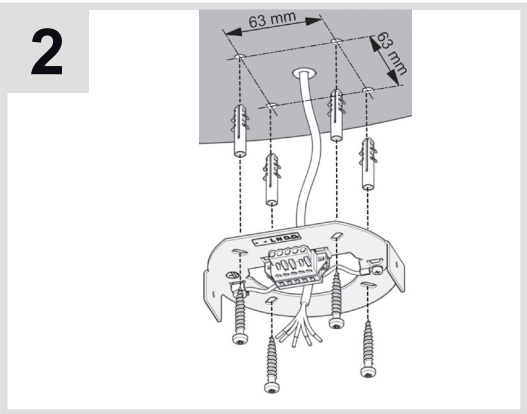
+



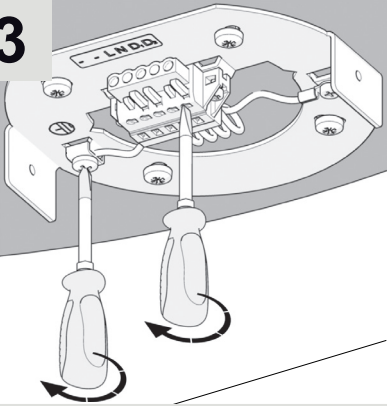
1



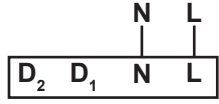
2



3



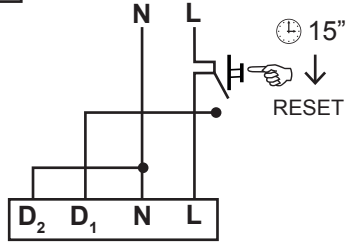
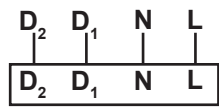
On/Off



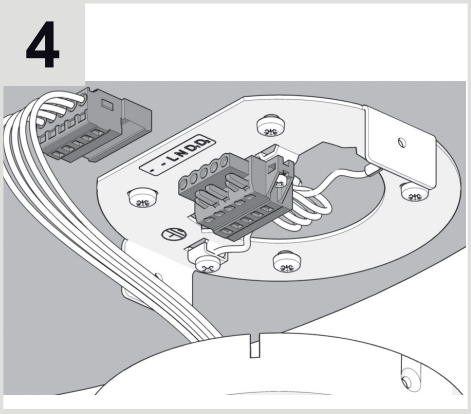
Push



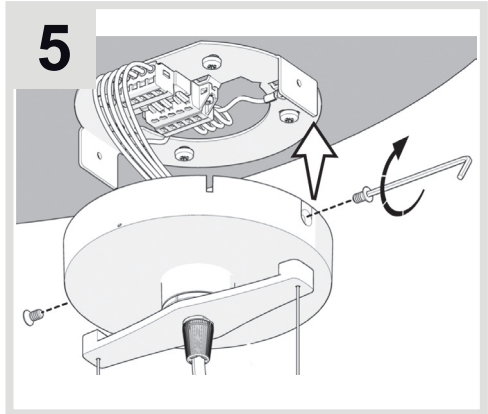
DALI



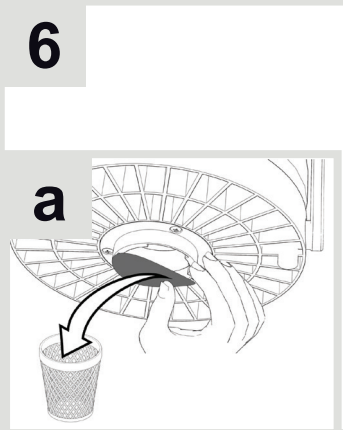
4



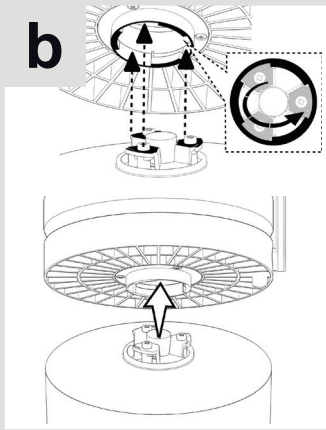
5



6



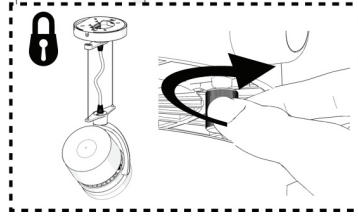
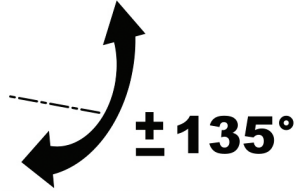
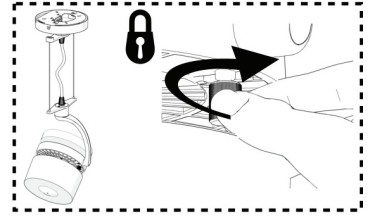
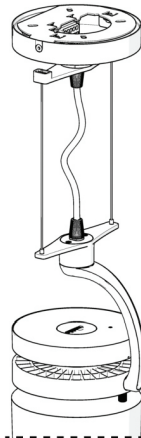
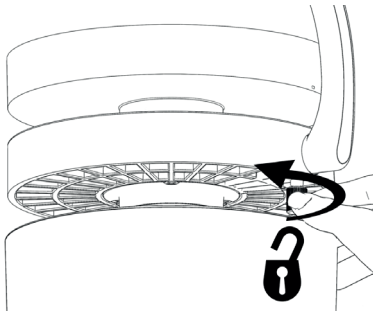
b



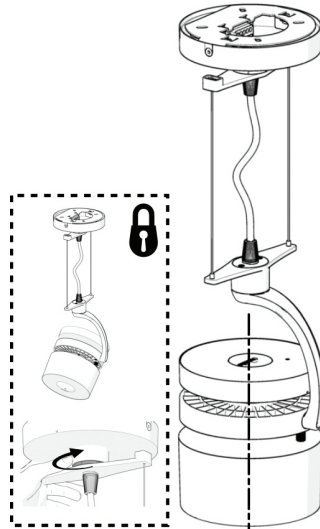
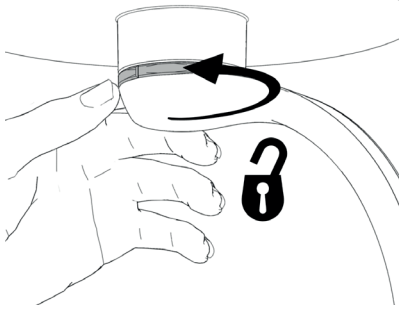
c



7



8





i



1





Artemide Spa

via Bergamo, 18
20010 Pregnana M.se (MI)
ITALIA

Tel. +39 02 935 181
Fax +39 02 935 90 254
Fax +39 02 935 90 496

www.artemide.com

VAT IT00846890150