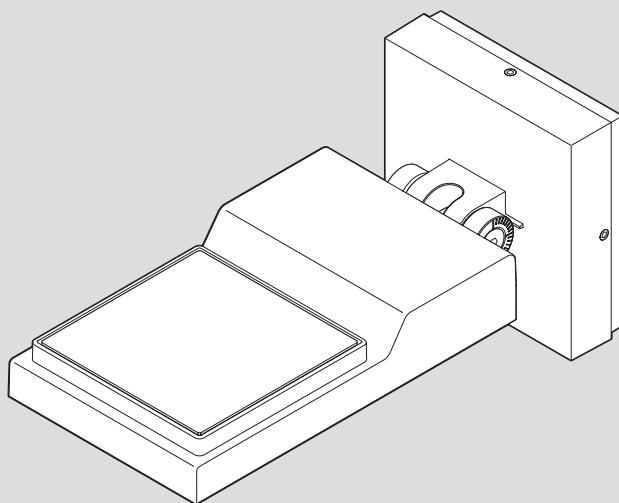


Artemide®

Cefiso

design
Alessandro Pedretti

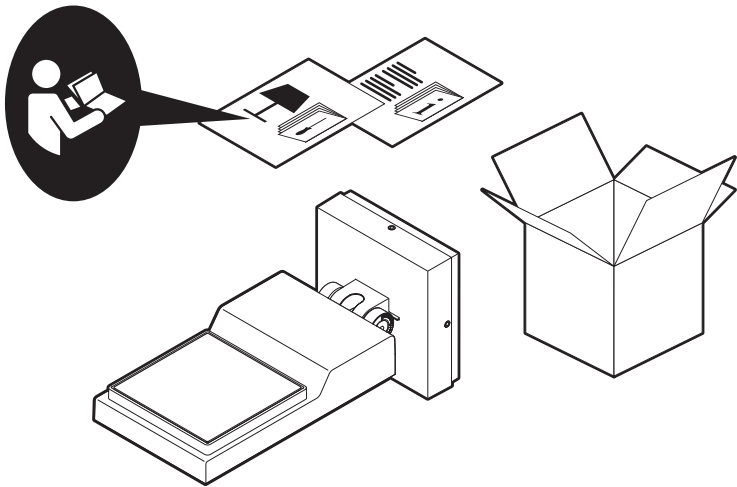


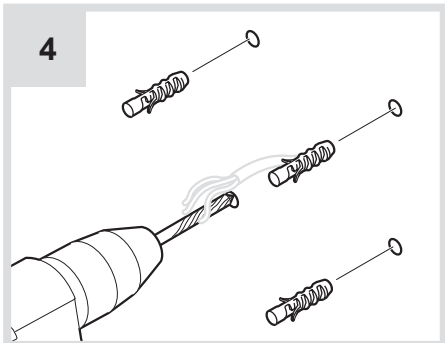
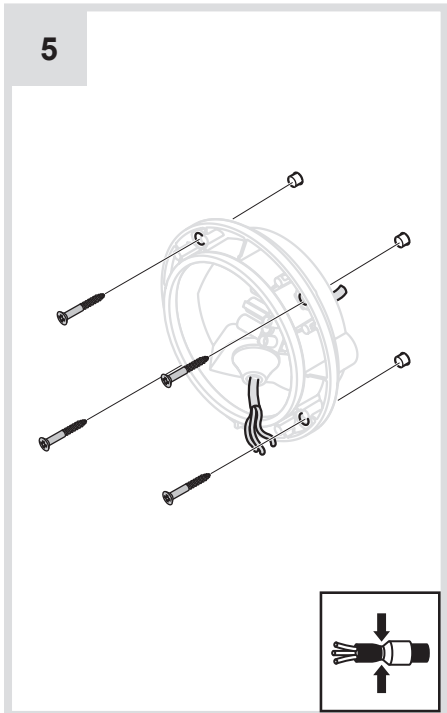
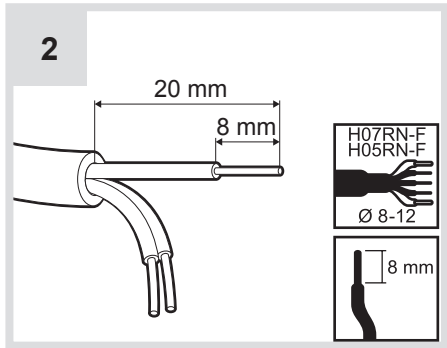
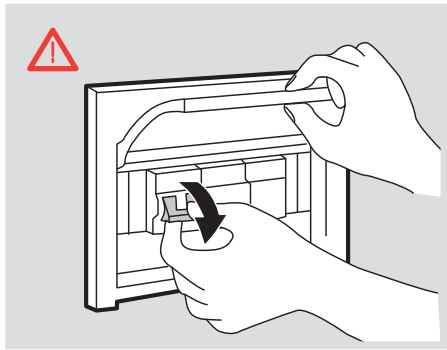
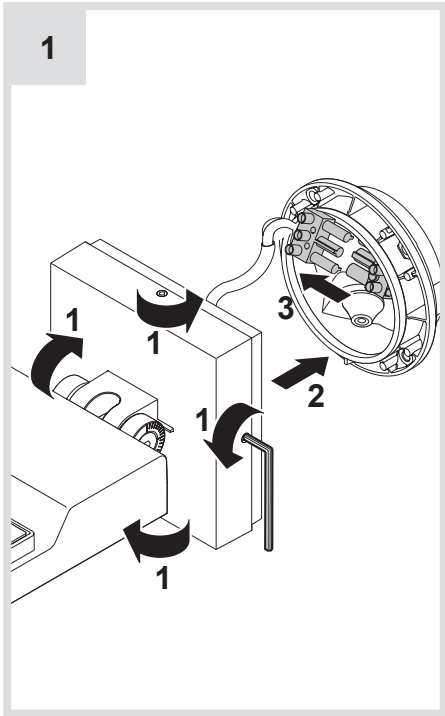


i

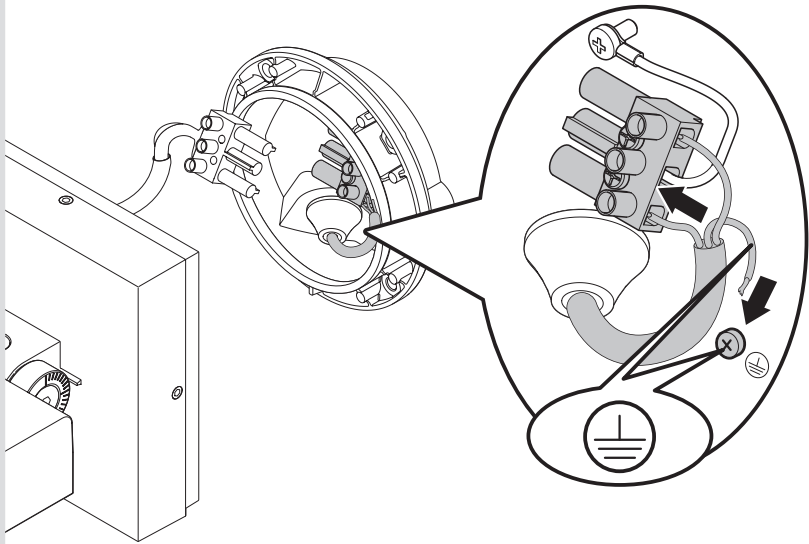


LED1

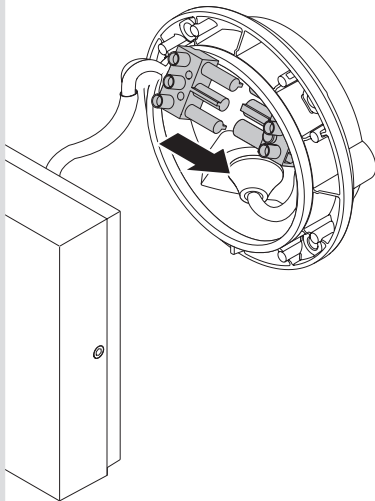




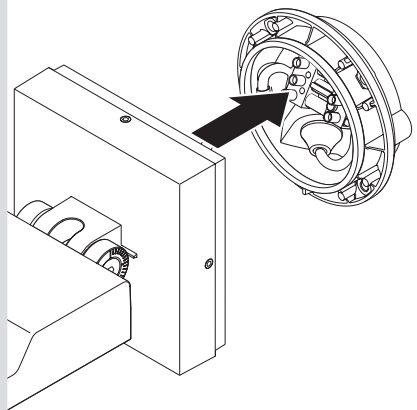
6



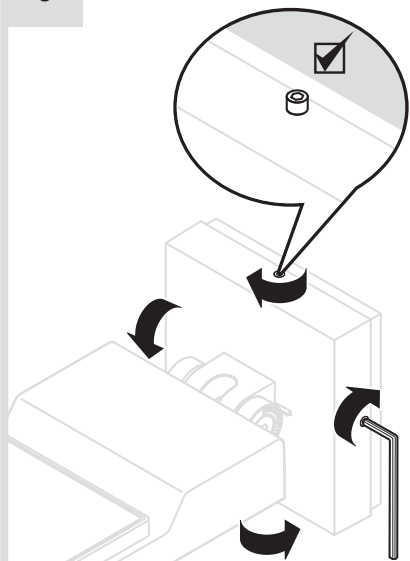
7



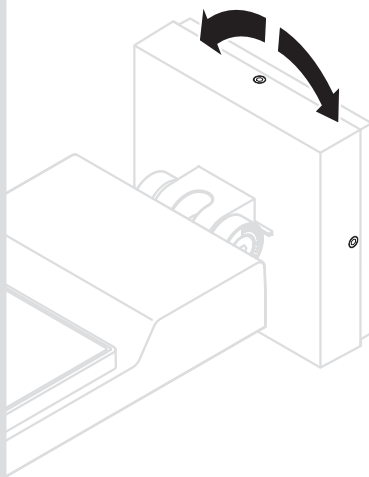
8



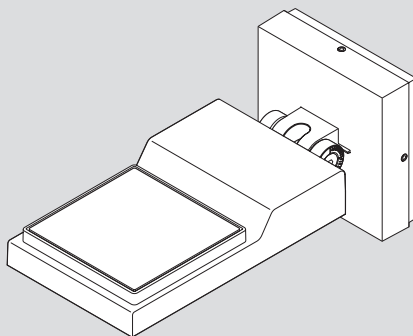
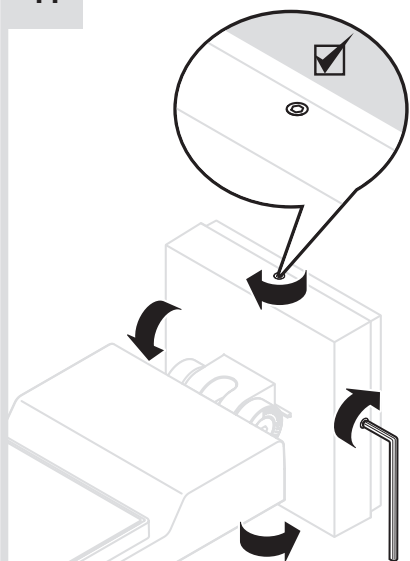
9



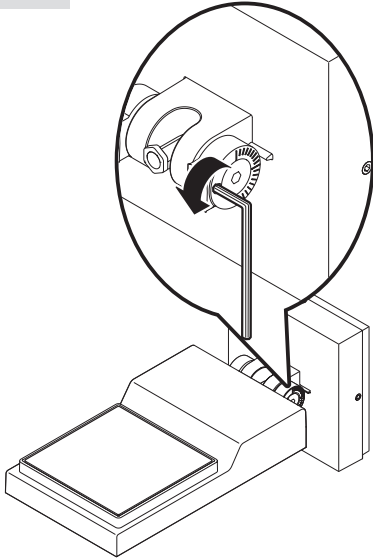
10



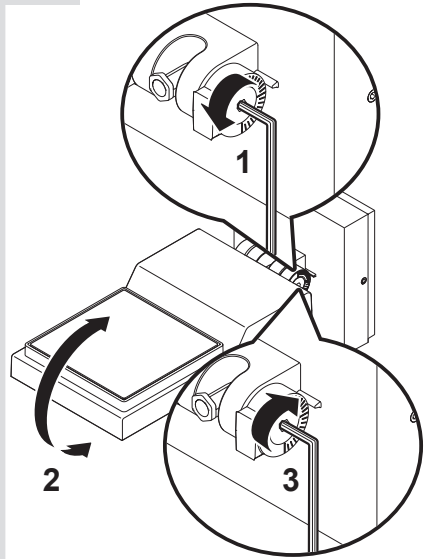
11



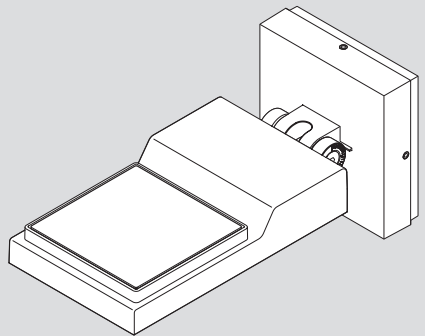
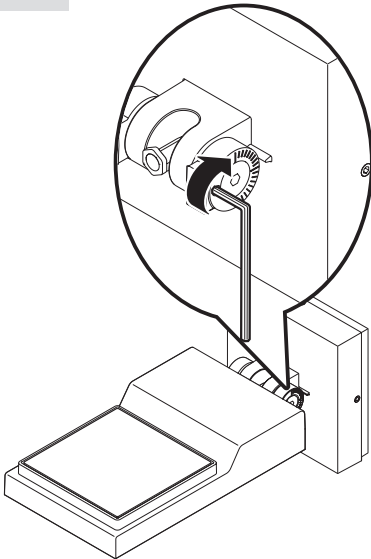
12



13



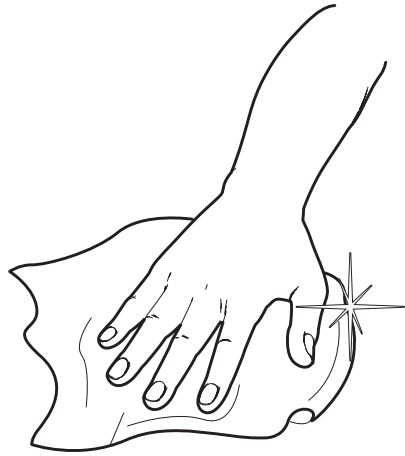
14



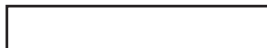
i



1



Artemide®



Artemide

via Bergamo, 18
20010 Pregnana M.se (MI)
ITALIA

tel. +39 02 935 181
fax +39 02 935 90 254
fax +39 02 935 90 496

www.artemide.com

VAT IT00846890150

cod. Y513000032B