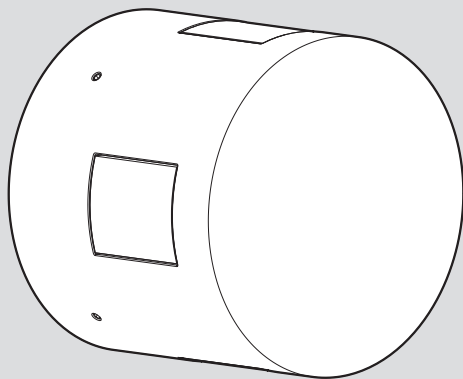
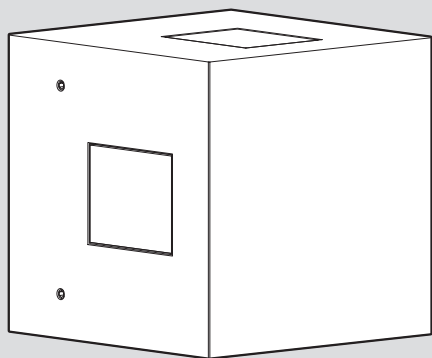


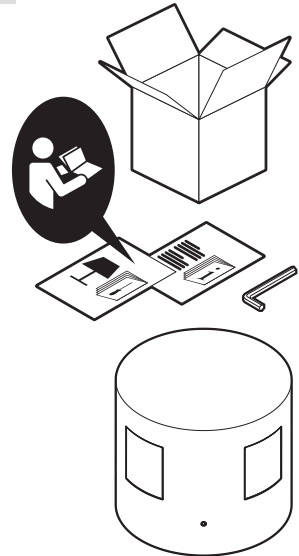
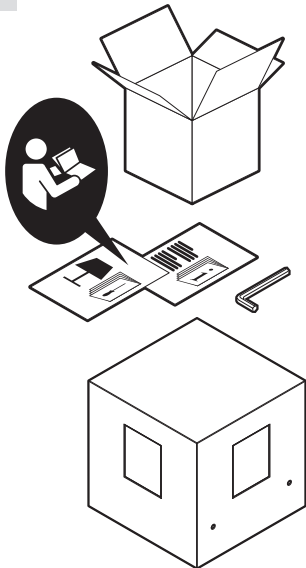
Effetto

design
Ernesto Gismondi

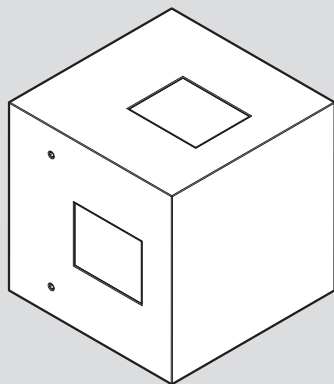




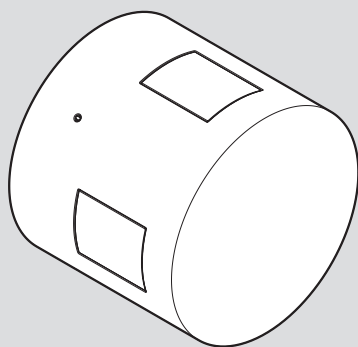
i



i

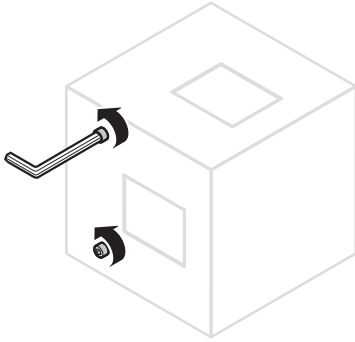


140 x 140 x 140 mm

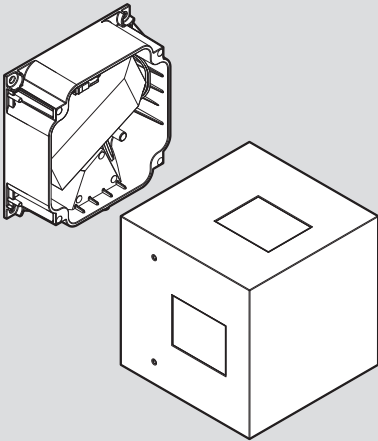
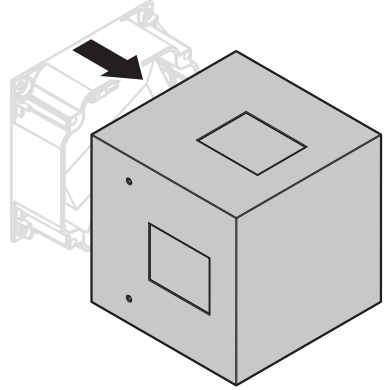


Ø 160 x 140 mm

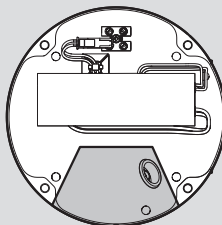
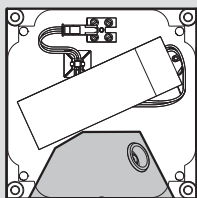
1



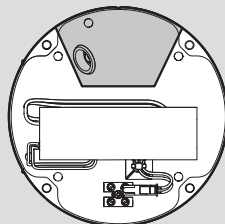
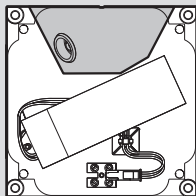
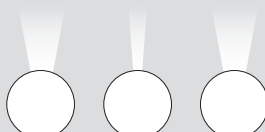
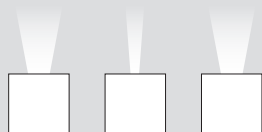
2

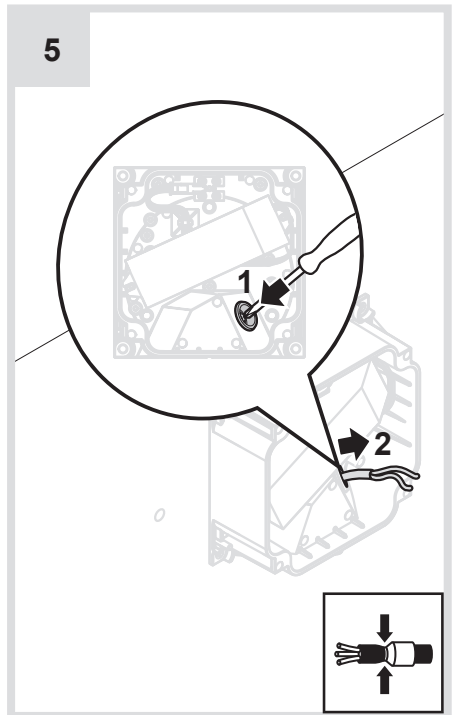
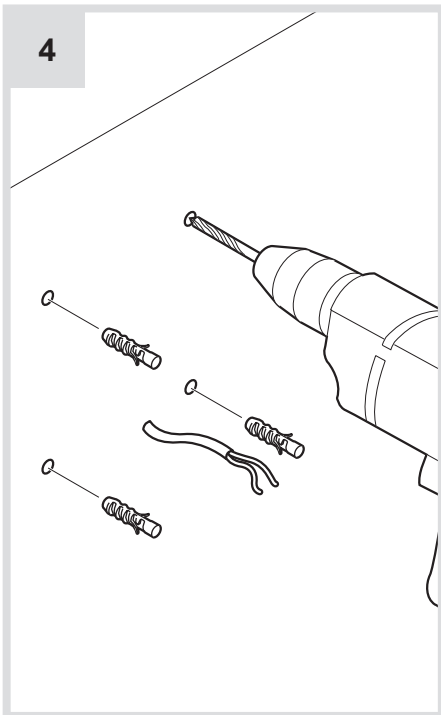
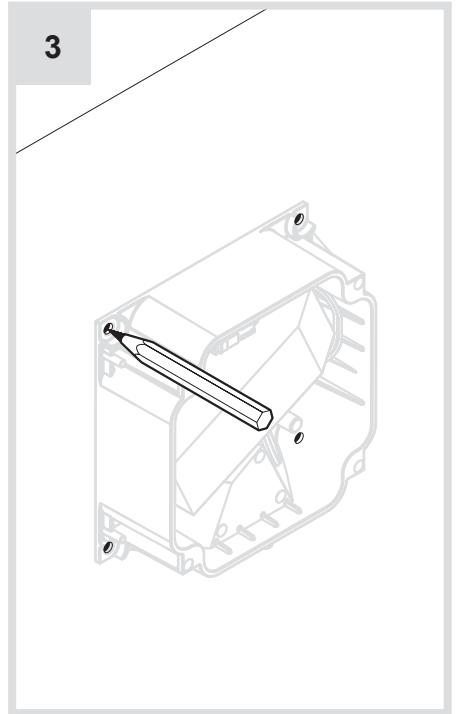
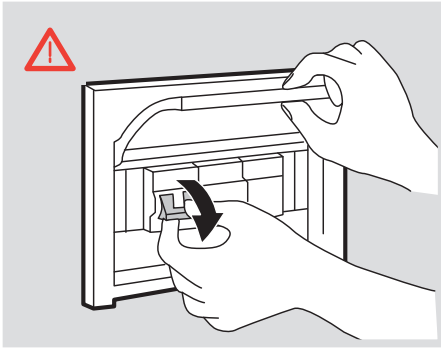


i

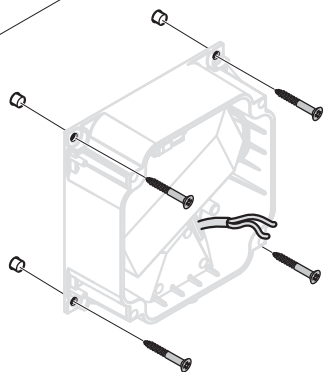


i

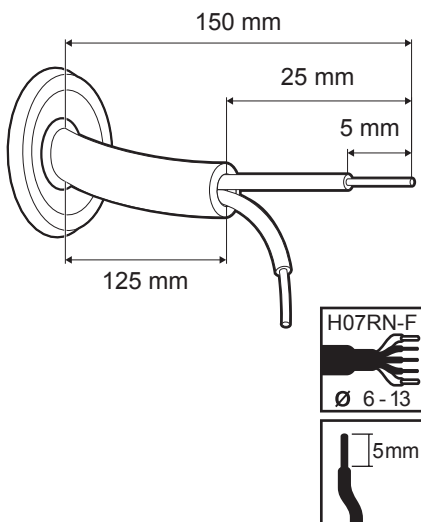




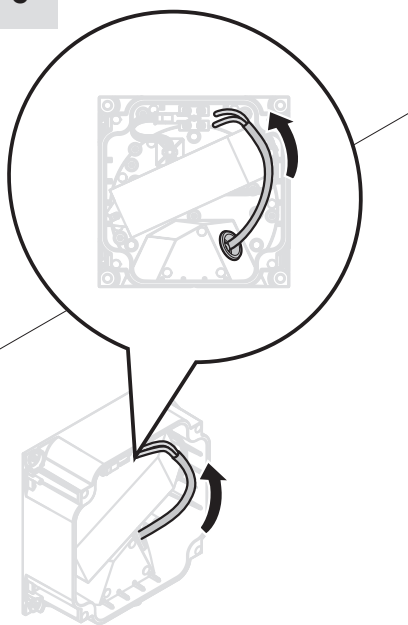
6



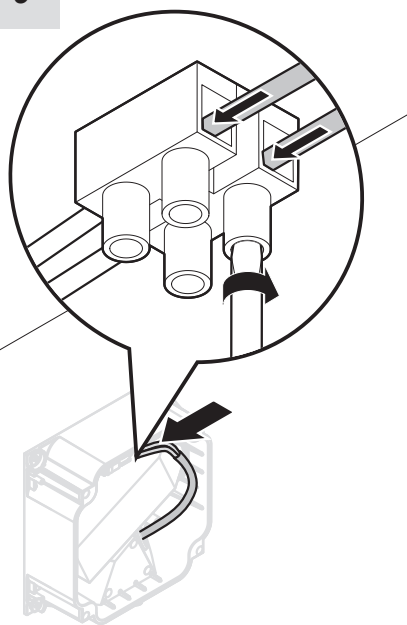
7



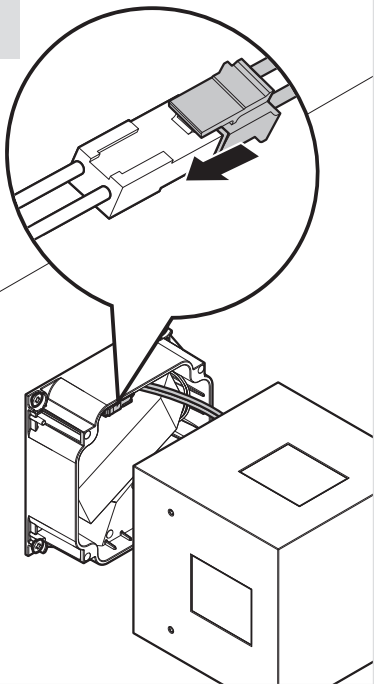
8



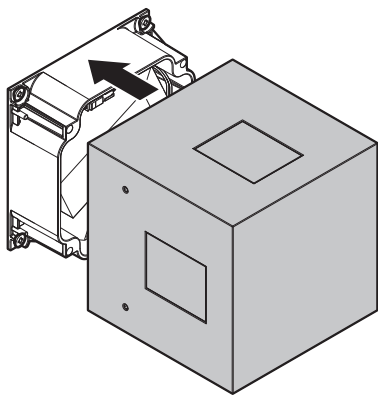
9



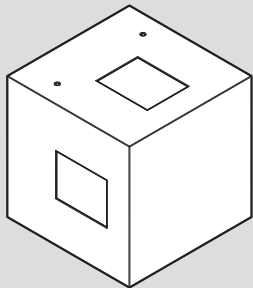
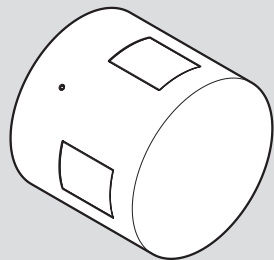
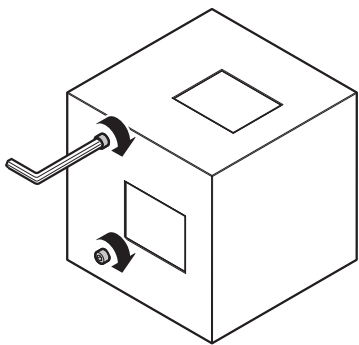
10



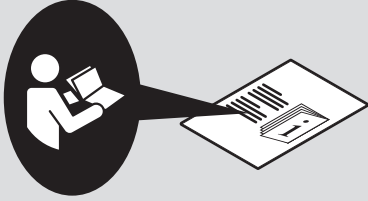
11



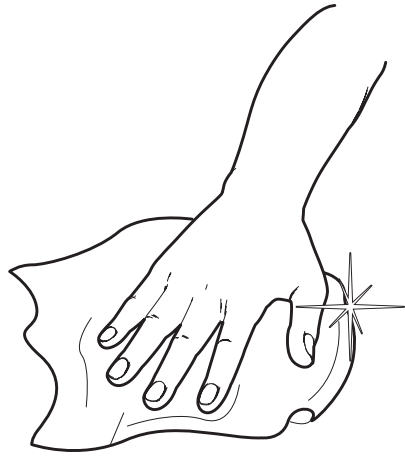
12



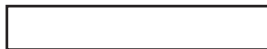
i



1



Artemide®



Artemide

via Bergamo, 18
20010 Pregnana M.se (MI)
ITALIA

tel. +39 02 935 181
fax +39 02 935 90 254
fax +39 02 935 90 496

www.artemide.com

VAT IT00846890150

cod. Y513000044A