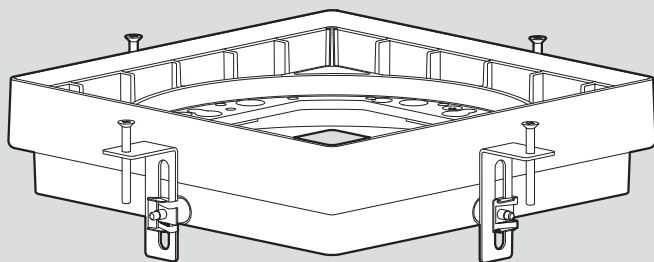
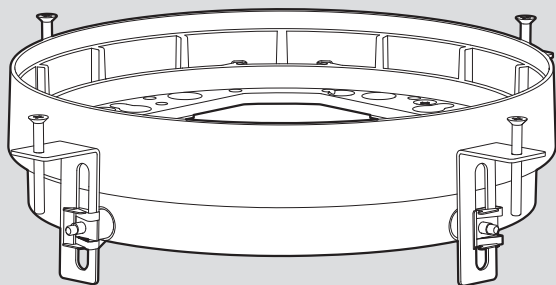


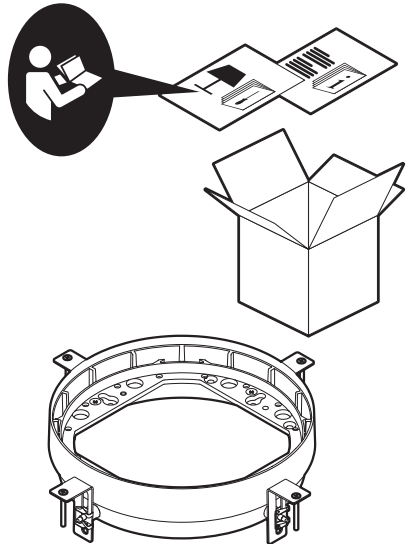
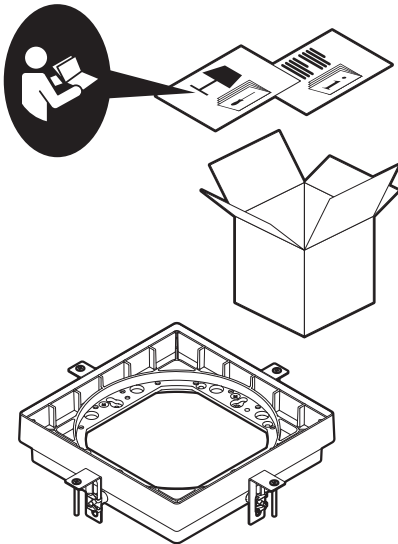
Artemide®

Orcamo / Ego Vetro cassaforma

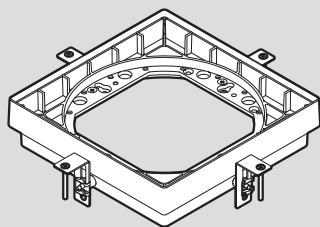




i

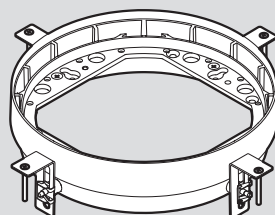


i



Orcamo / Ego Vetro

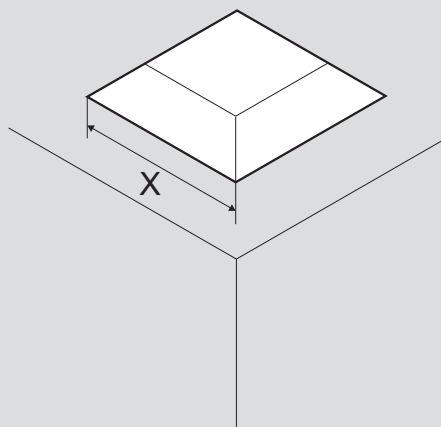
150 x 150 mm
220 x 220 mm
320 x 320 mm



Orcamo / Ego Vetro

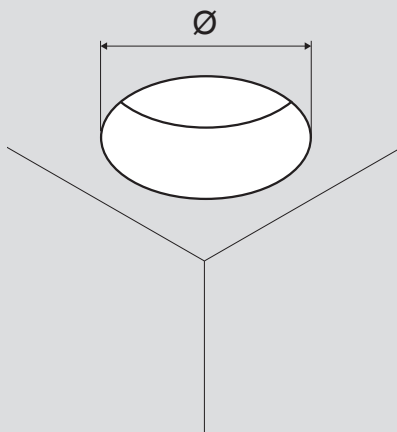
Ø 150 mm
Ø 220 mm
Ø 320 mm

i



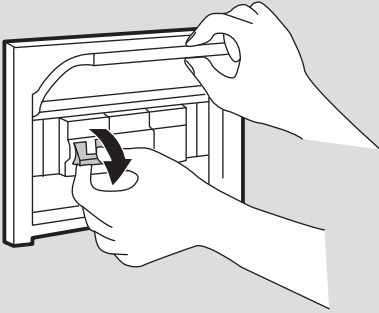
Orcamo / Ego Vetro

150: X = 155 ± 2 mm
220: X = 225 ± 2 mm
320: X = 325 ± 2 mm

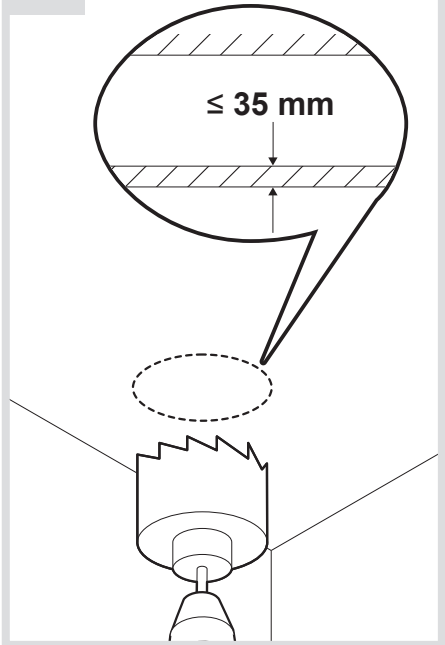


Orcamo / Ego Vetro

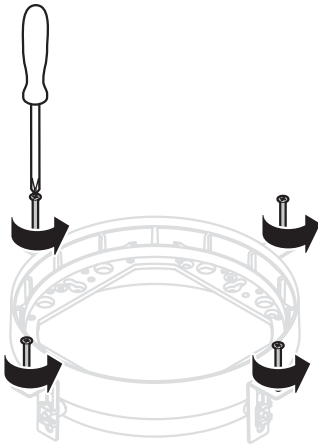
150: Ø 155 ± 2 mm
220: Ø 225 ± 2 mm
320: Ø 325 ± 2 mm



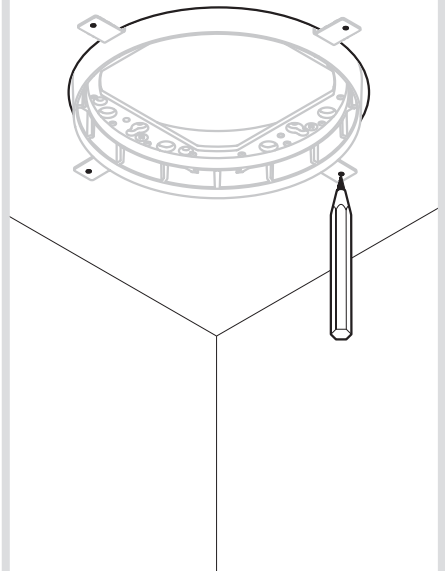
1



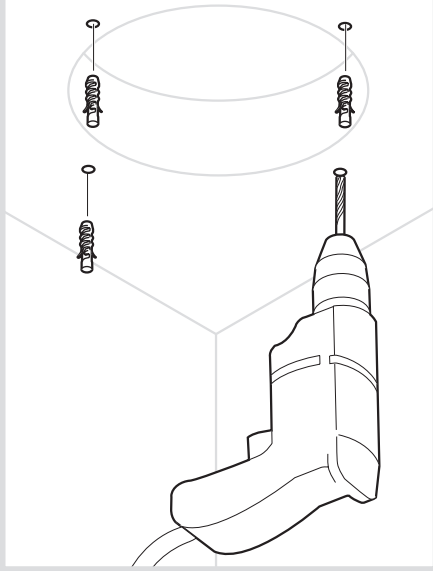
2



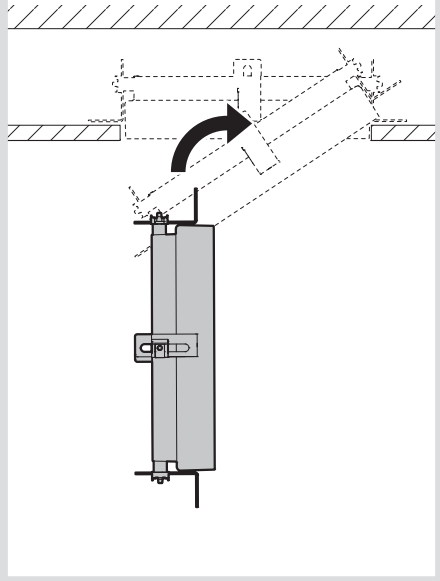
3



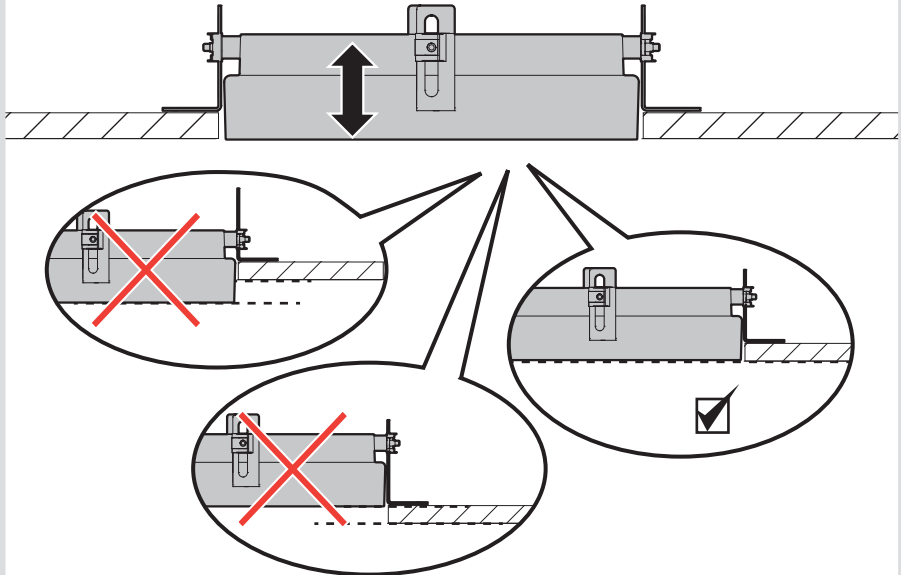
4



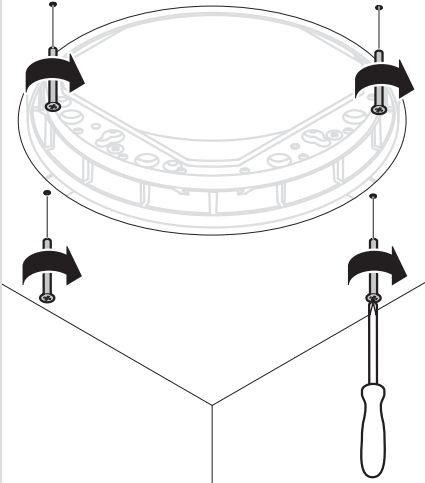
5



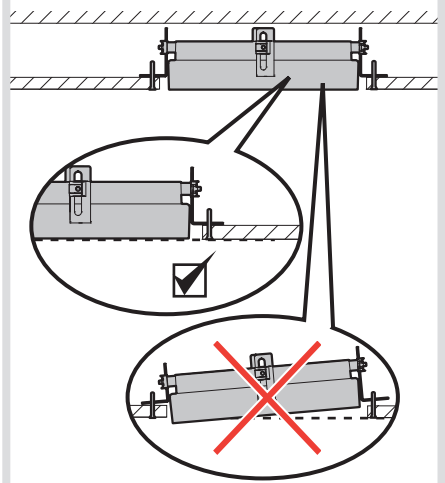
6



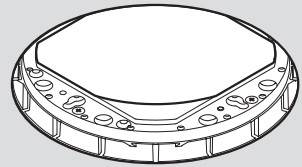
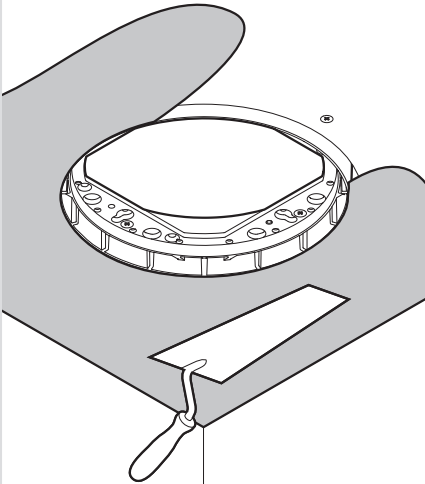
7



8



9



Artemide®



Artemide Spa

via Bergamo, 18
20010 Pregnana M.se (MI)
ITALIA

Tel. +39 02 935 181
Fax +39 02 935 90 254
Fax +39 02 935 90 496

www.artemide.com

VAT IT00846890150

Artemide Inc.

250 Karin Lane
Hicksville NY 11801

Tel. 631 694 9292
Toll Free 1-877-Art-9111
Fax 631 694 9275

www.artemide.net

Artemide Ltée/Ltd.

11105 rue Renaude Lapointe
Montréal, Québec H1J 2T4

Tel. 514 323 6537
Toll Free 888 777 2783
Fax 514 323 8864

www.artemide.net

cod. Y513000086D