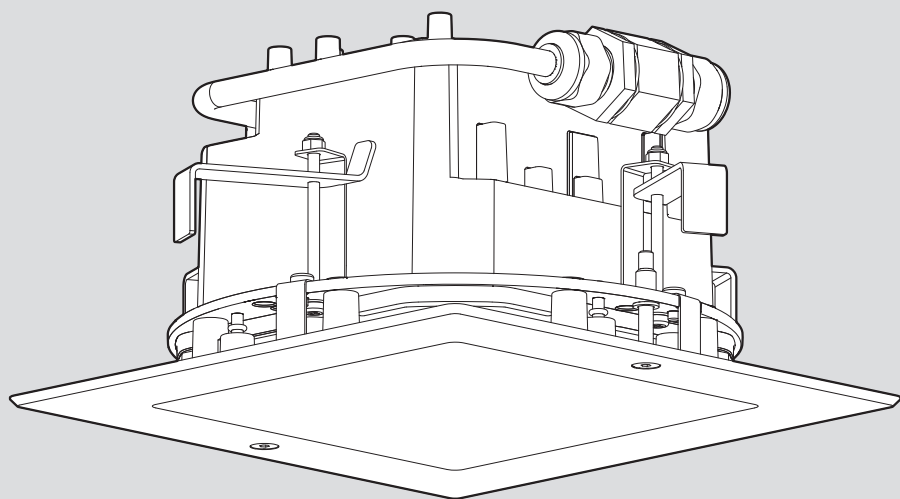


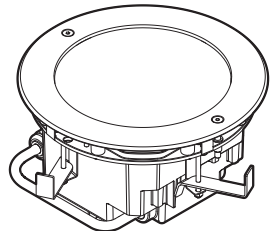
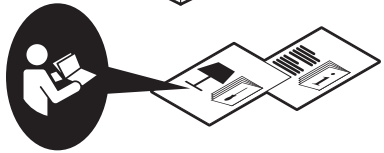
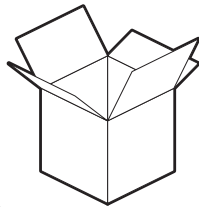
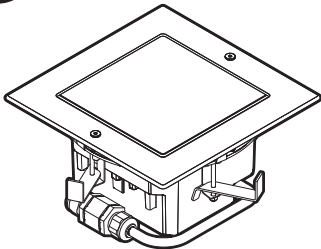
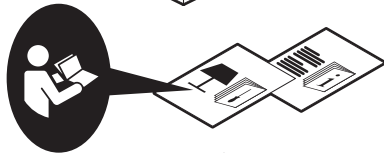
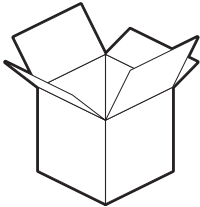
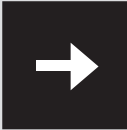
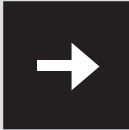
Artemide®

Ego 150/220/320 Down Light

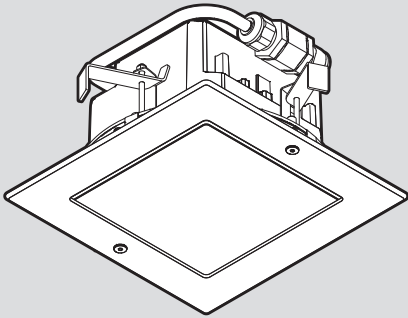




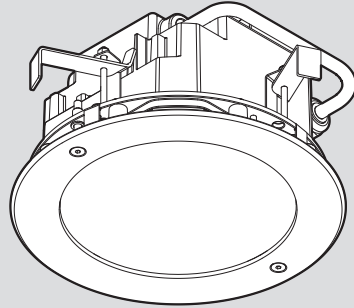
i



i

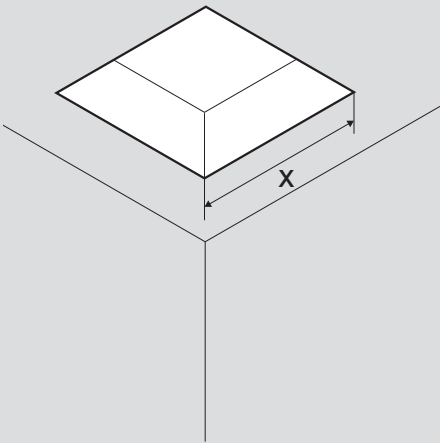


150 x 150 mm
220 x 220 mm
320 x 320 mm

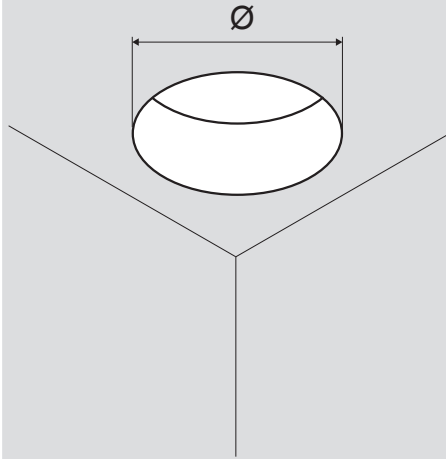


Ø 150 mm
Ø 220 mm
Ø 320 mm

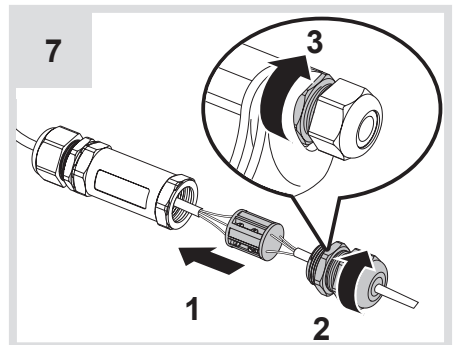
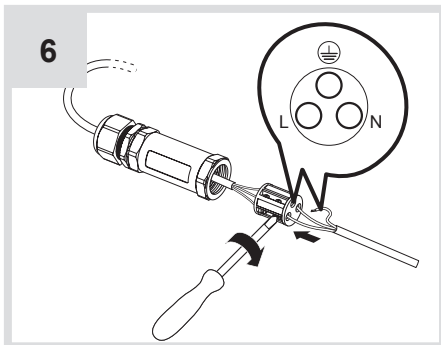
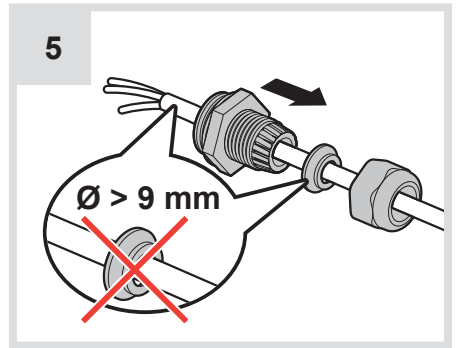
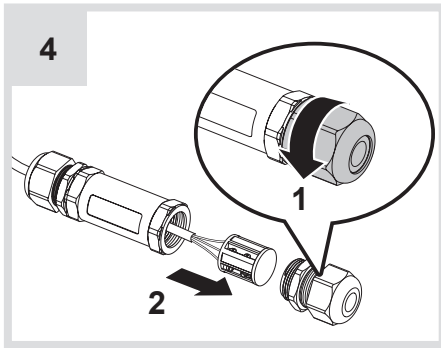
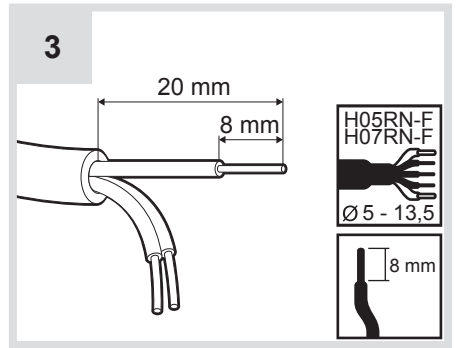
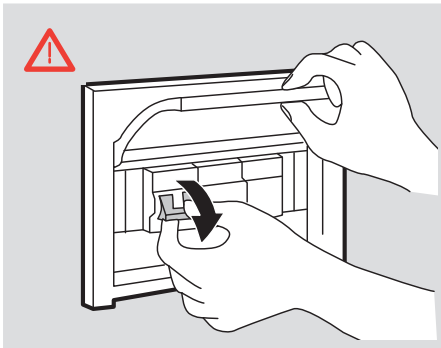
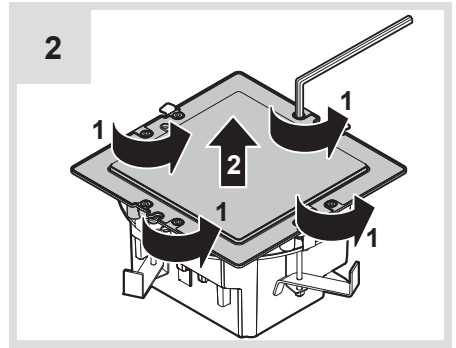
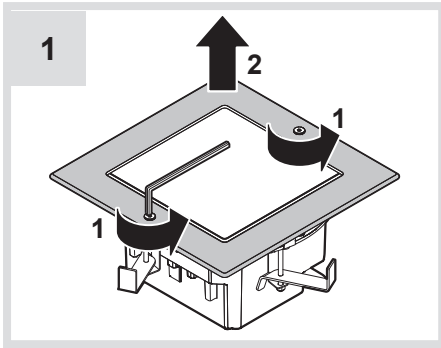
i



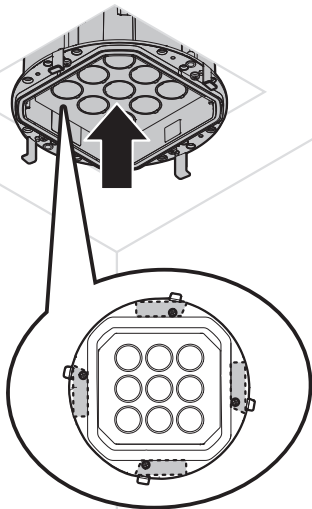
Ego 150: 135 ± 2 mm
Ego 220: 203 ± 2 mm
Ego 320: 300 ± 2 mm



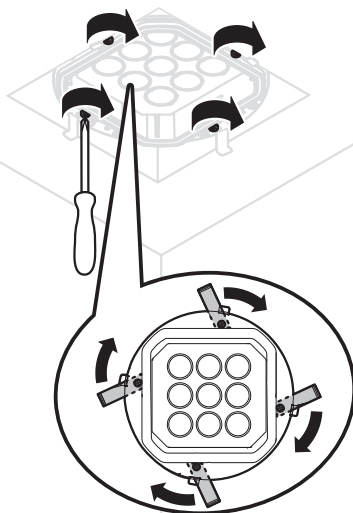
Ego 150: Ø 135 ± 2 mm
Ego 220: Ø 203 ± 2 mm
Ego 320: Ø 300 ± 2 mm



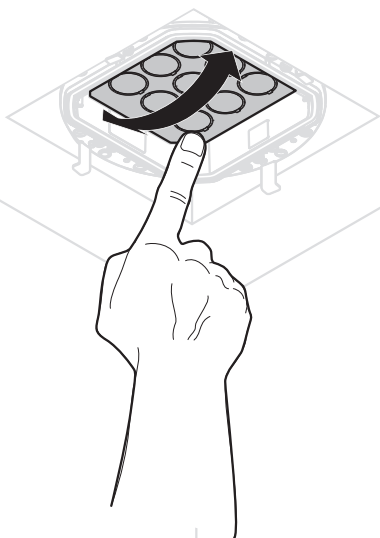
8



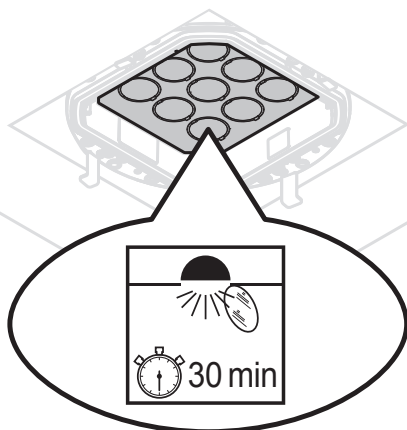
9



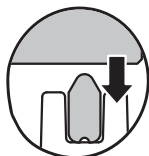
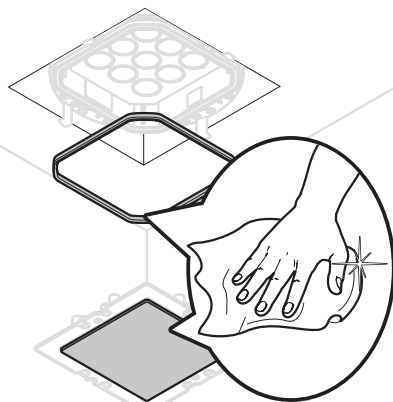
10



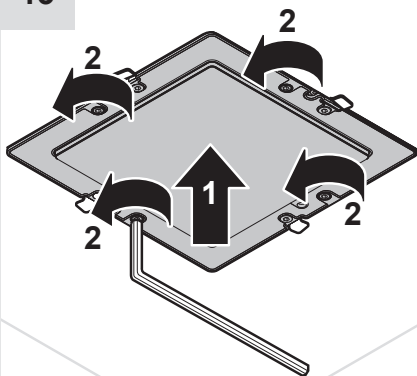
11



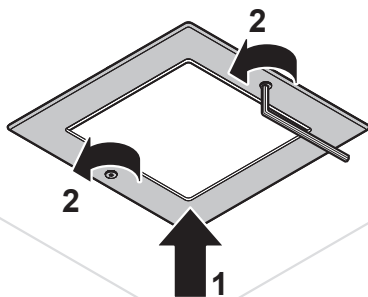
12

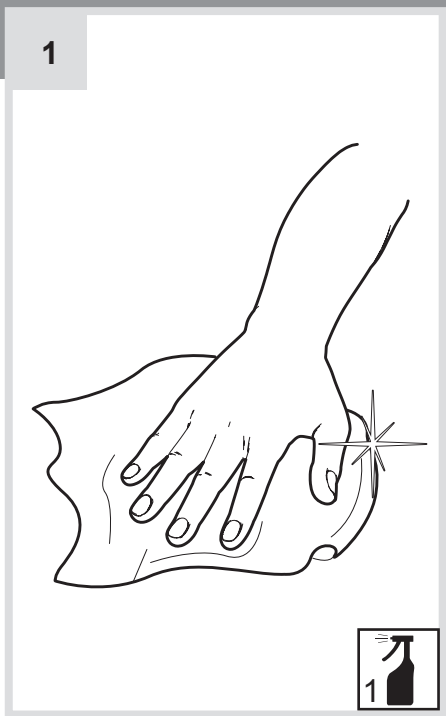
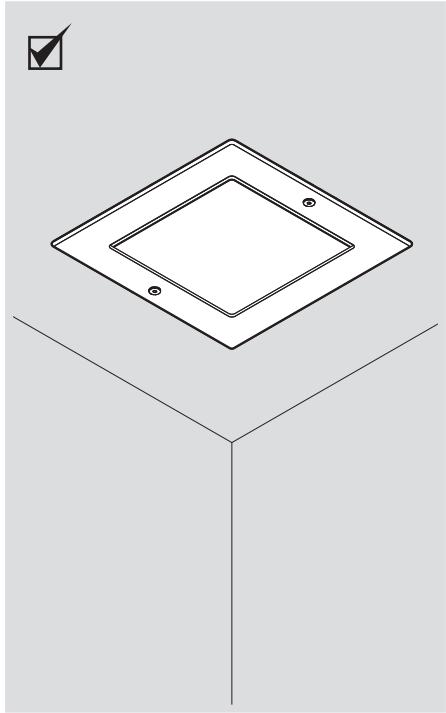
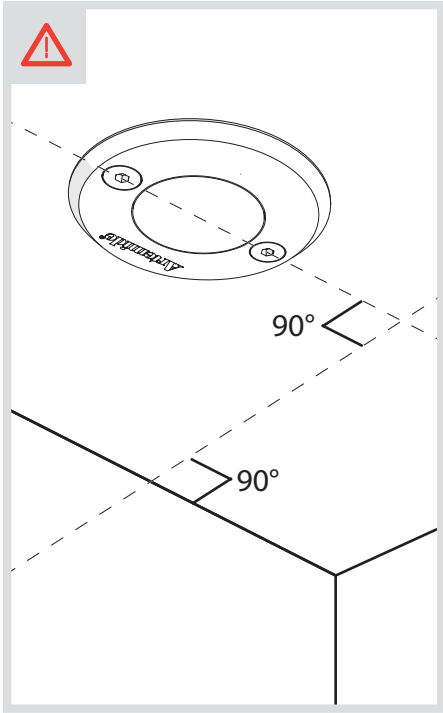


13

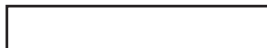


14





Artemide®



Artemide

via Bergamo, 18
20010 Pregnana M.se (MI)
ITALIA

tel. +39 02 935 181
fax +39 02 935 90 254
fax +39 02 935 90 496

www.artemide.com

VAT IT00846890150

cod. Y513000344B