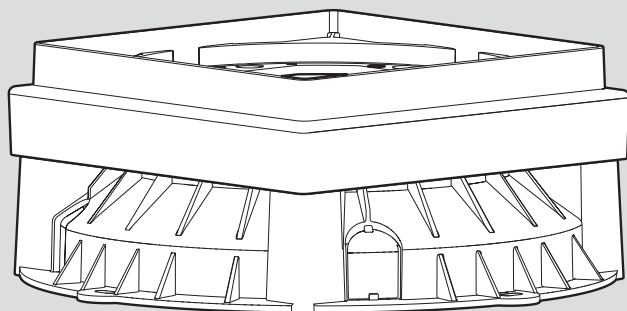
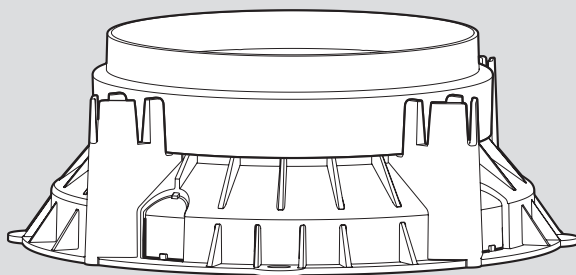


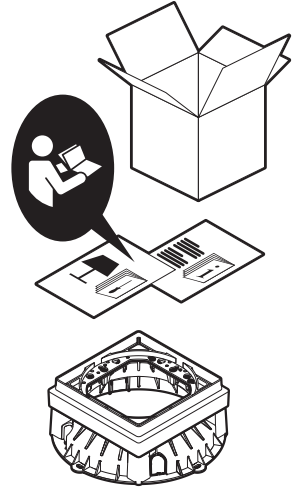
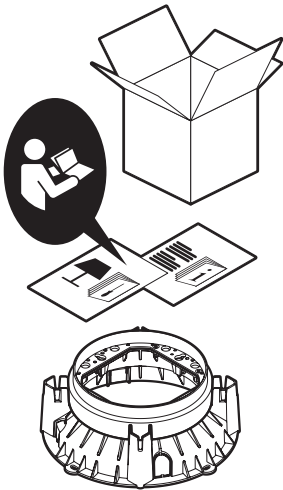
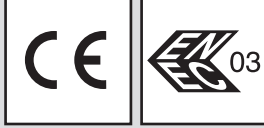
Artemide®

Naiade/Orcamo/Megara/Ego/Ego Vetro cassaforma



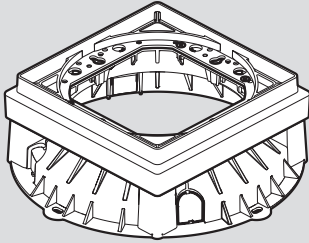


i



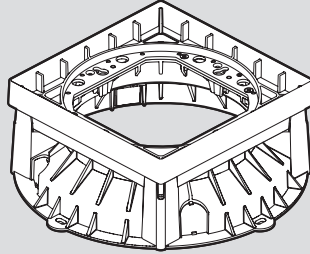
i

Naiade/Megara/Ego

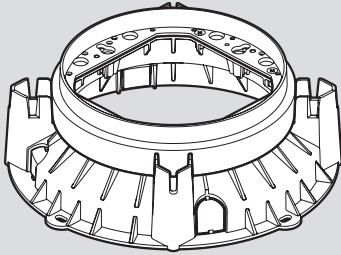


150 x 150 mm
220 x 220 mm
320 x 320 mm

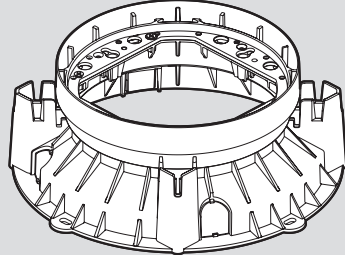
Orcamo/Ego Vetro



150 x 150 mm
220 x 220 mm
320 x 320 mm

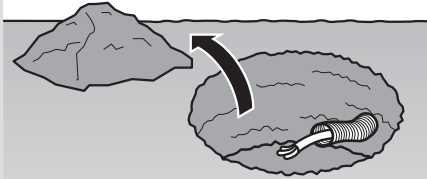


Ø 55 mm
Ø 90 mm
Ø 150 mm
Ø 220 mm
Ø 320 mm

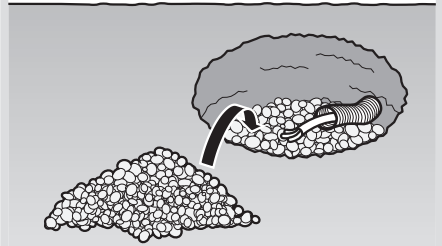


-
-
Ø 150 mm
Ø 220 mm
Ø 320 mm

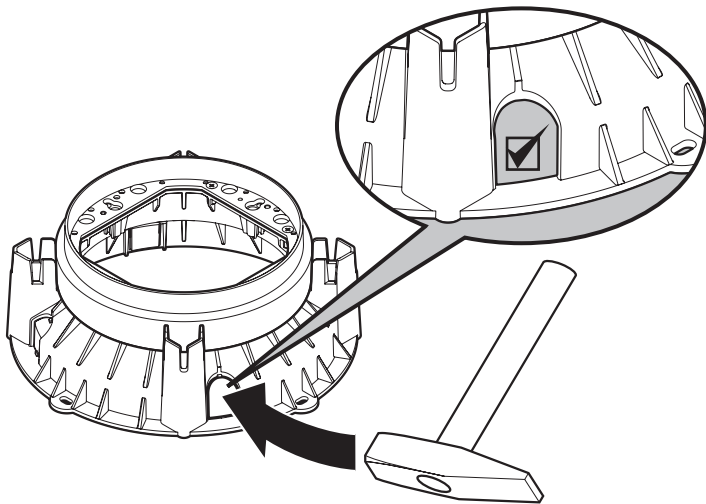
1



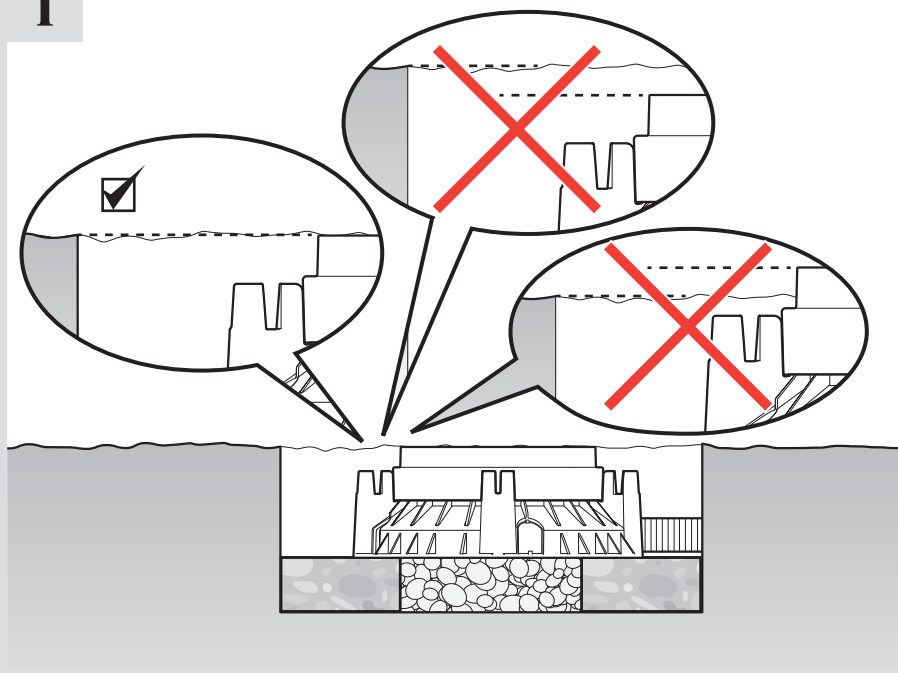
2



3



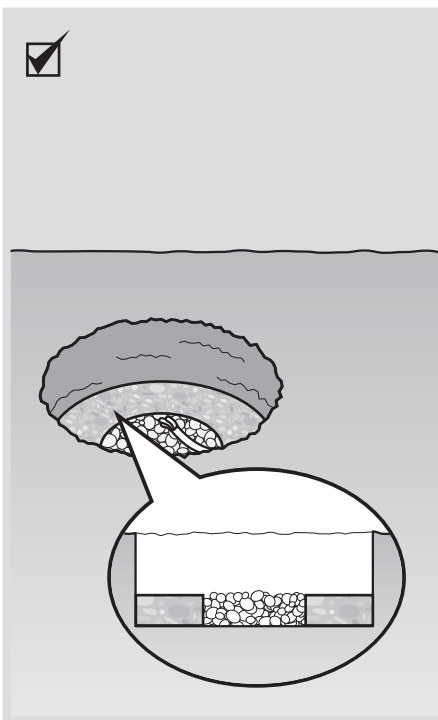
i



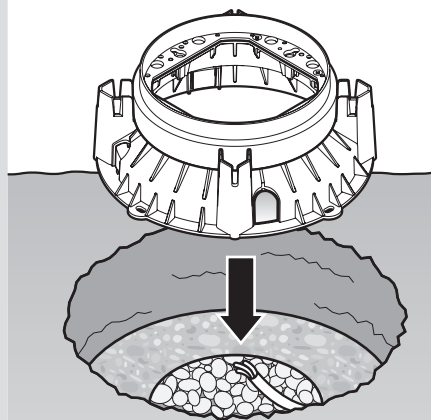
4



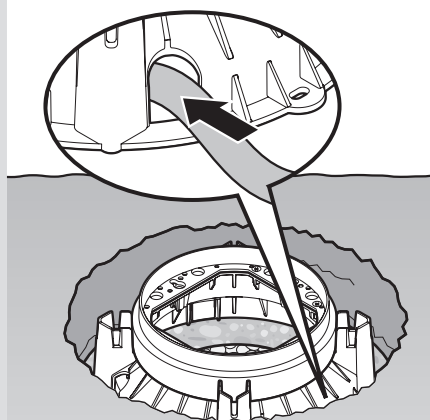
✓



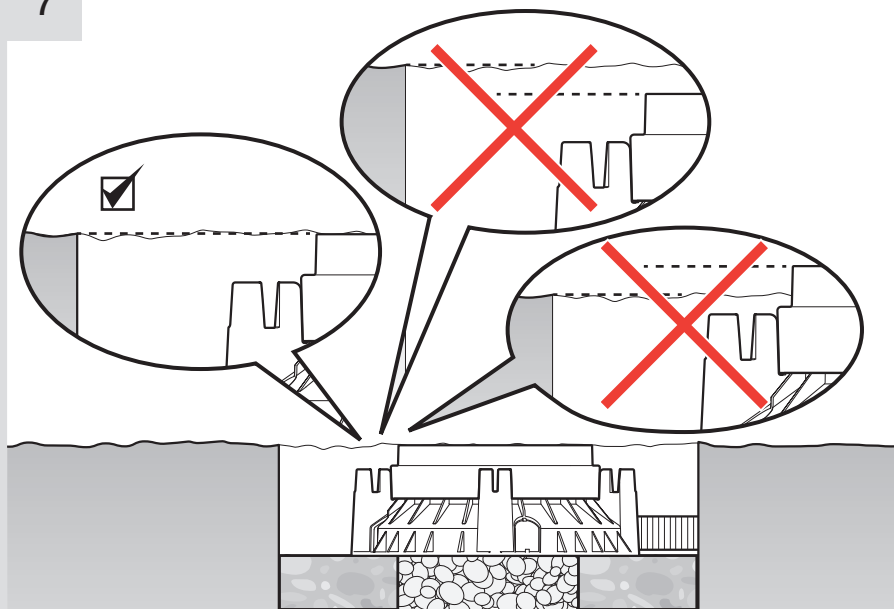
5



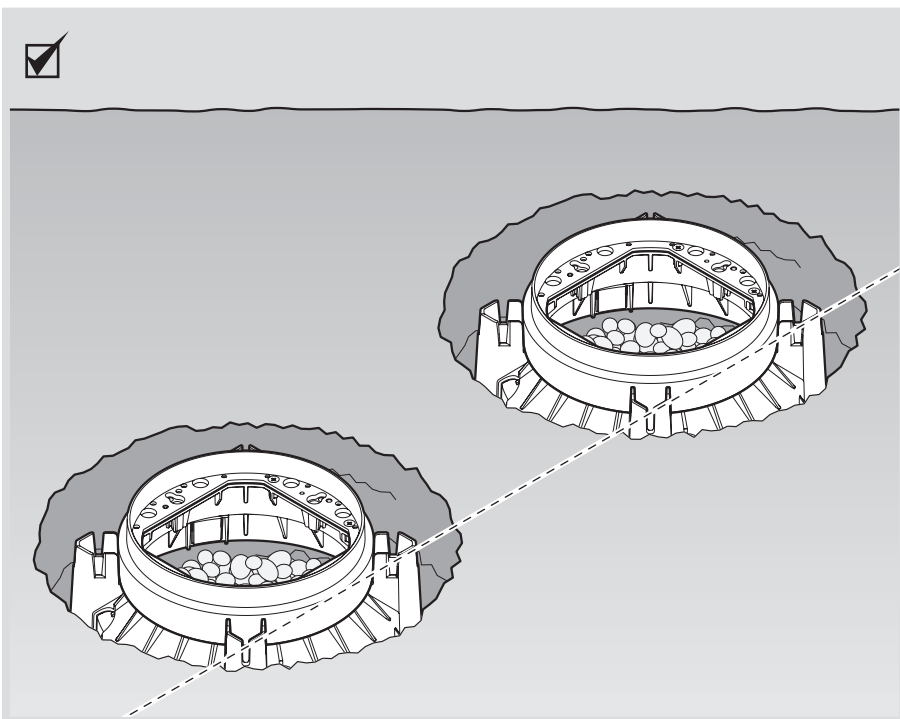
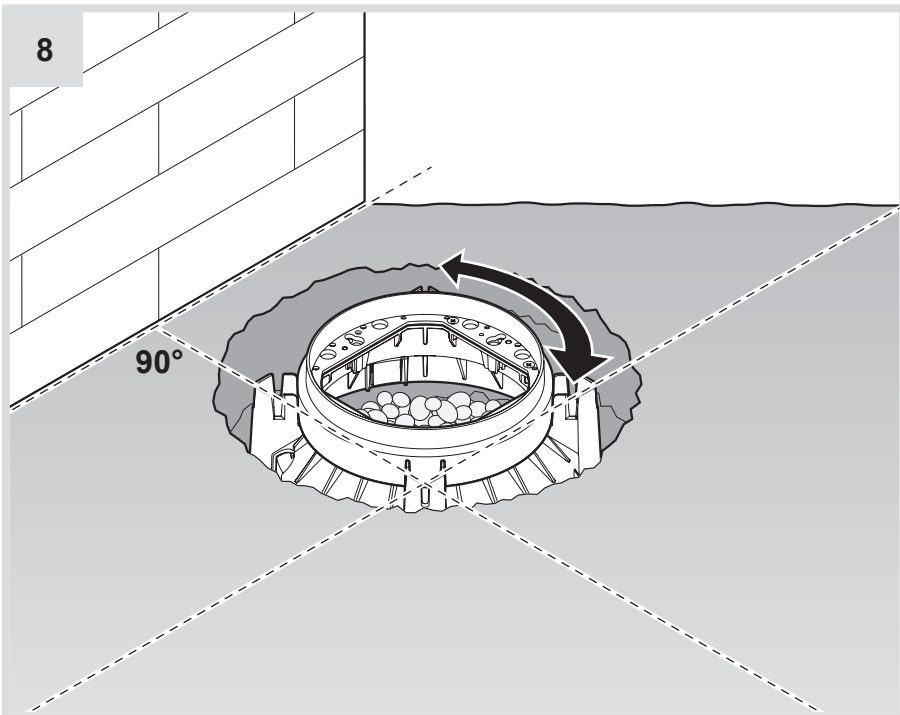
6



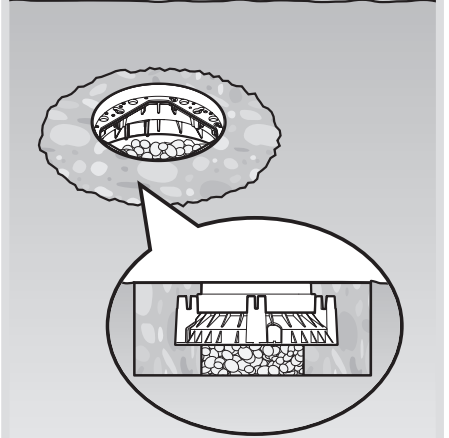
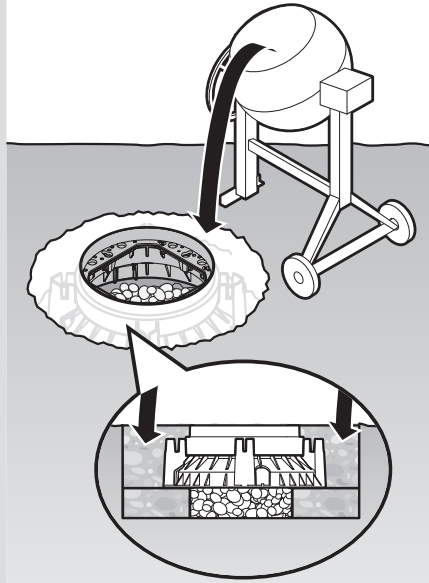
7



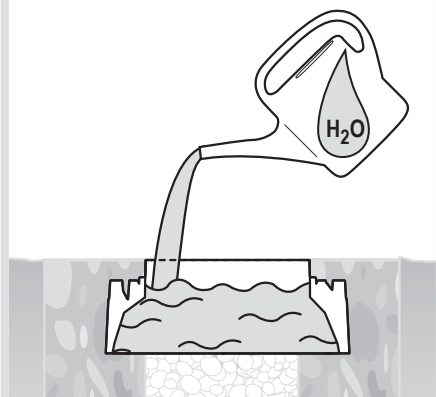
8



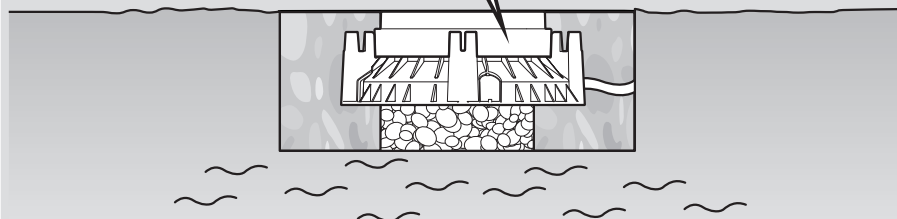
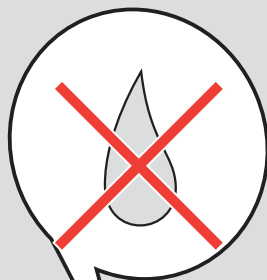
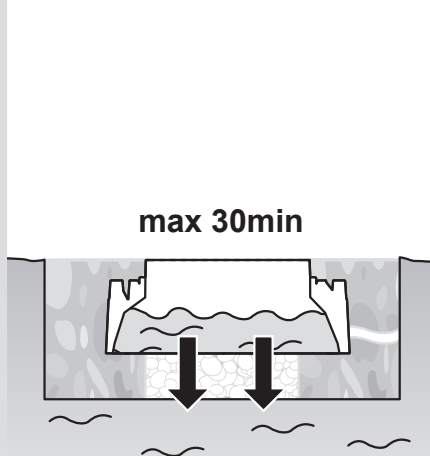
9



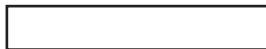
10



11



Artemide®



Artemide Spa

via Bergamo, 18
20010 Pregnana M.se (MI)
ITALIA

Tel. +39 02 935 181
Fax +39 02 935 90 254
Fax +39 02 935 90 496

www.artemide.com

VAT IT00846890150

Artemide Inc.

250 Karin Lane
Hicksville NY 11801

Tel. 631 694 9292
Toll Free 1-877-Art-9111
Fax 631 694 9275

www.artemide.net

Artemide Ltée/Ltd.

11105 rue Renaude Lapointe
Montréal, Québec H1J 2T4

Tel. 514 323 6537
Toll Free 888 777 2783
Fax 514 323 8864

www.artemide.net

cod. Y513000034G