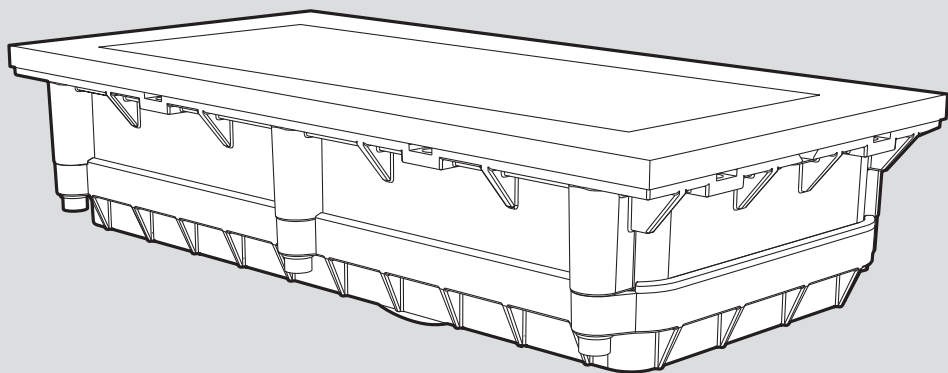


# Artemide®

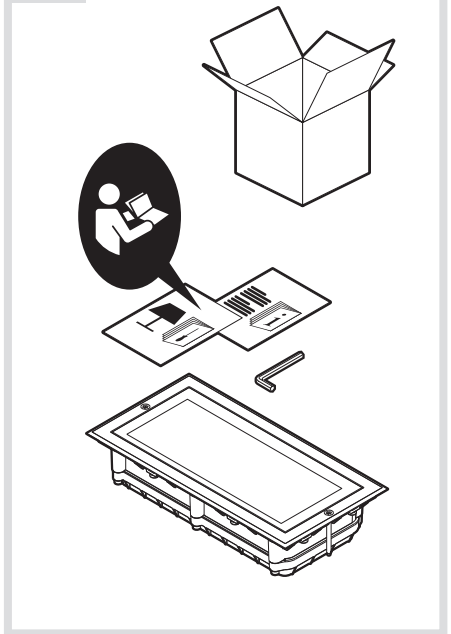
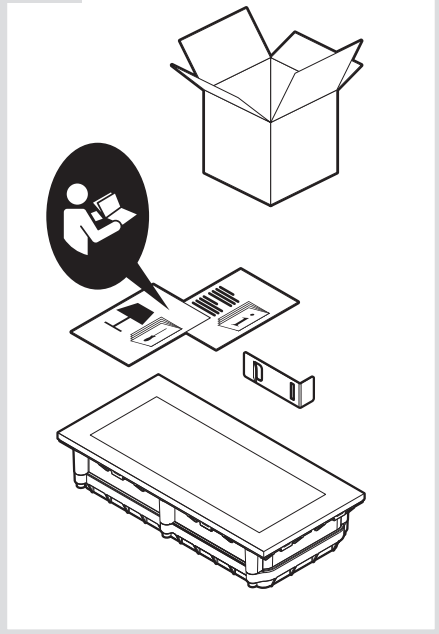
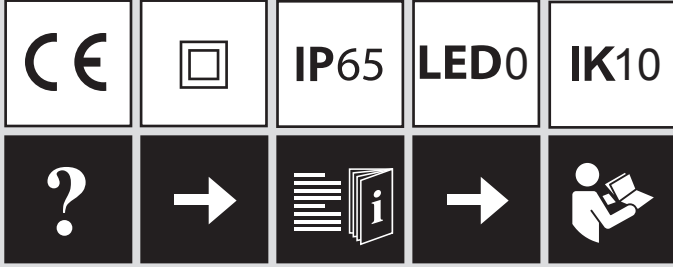
## Faci

design  
Ernesto Gismondi

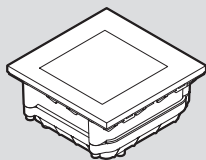




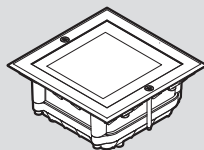
i



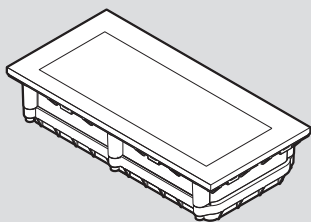
**i**



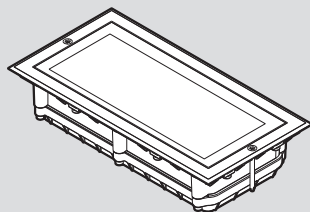
120 x 120 mm



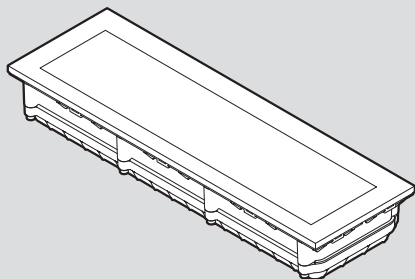
120 x 120 mm



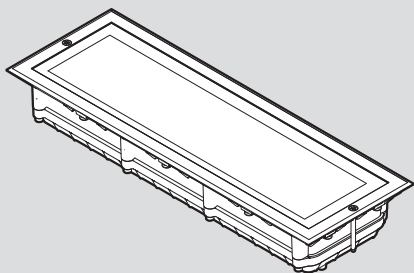
120 x 240 mm



120 x 240 mm

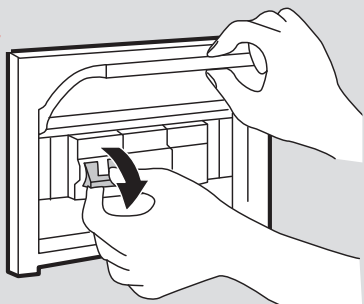
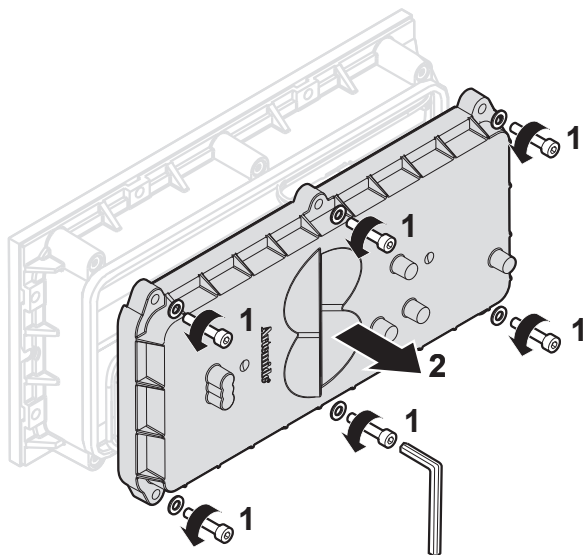


120 x 360 mm

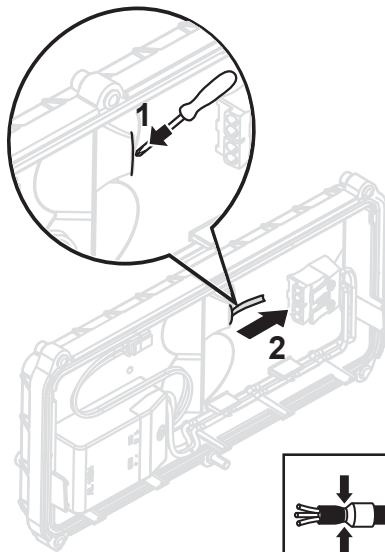


120 x 360 mm

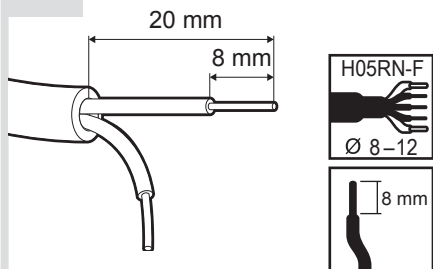
1a



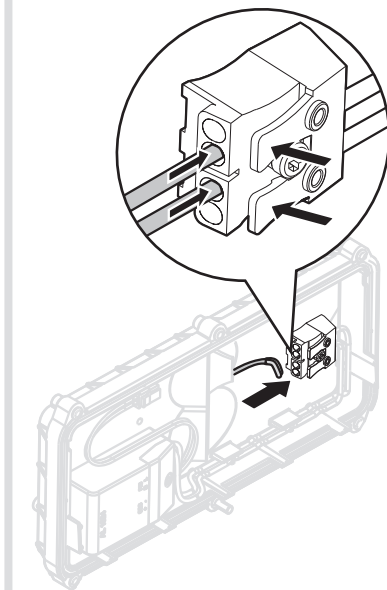
2a



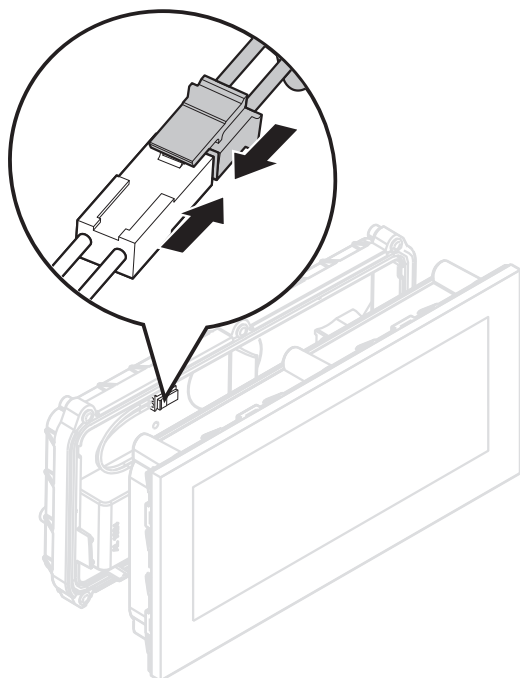
3a



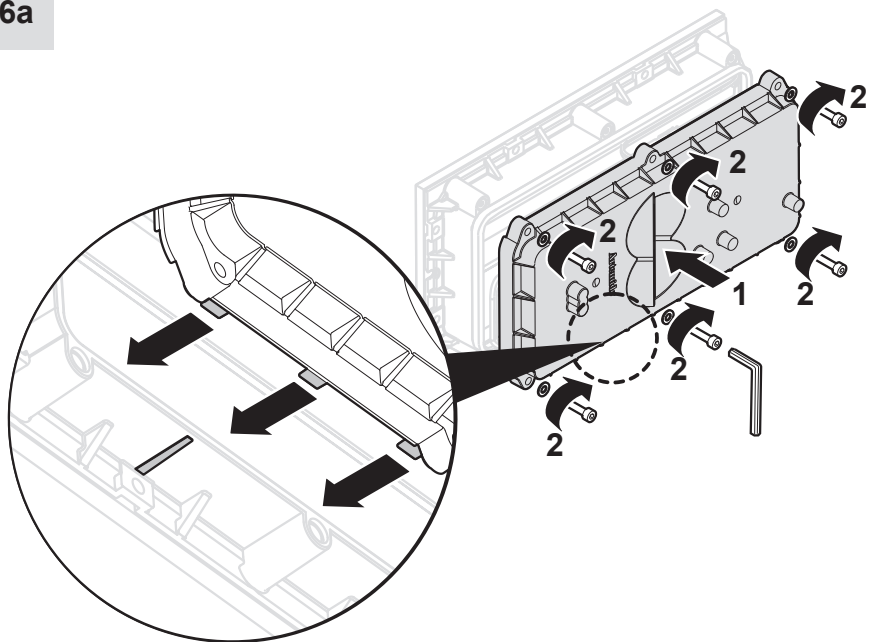
4a



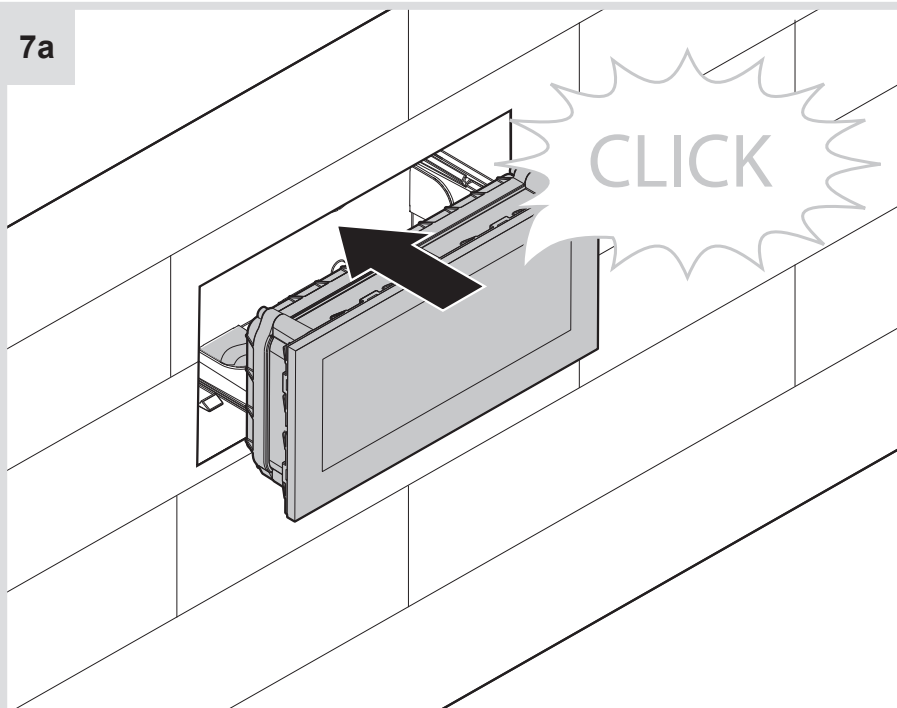
5a

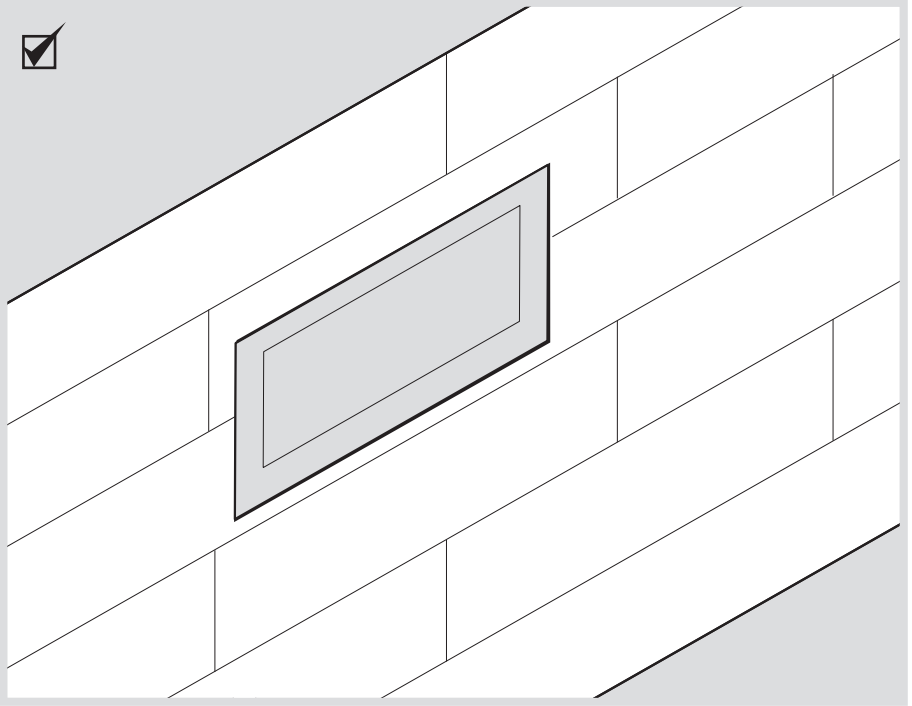


6a

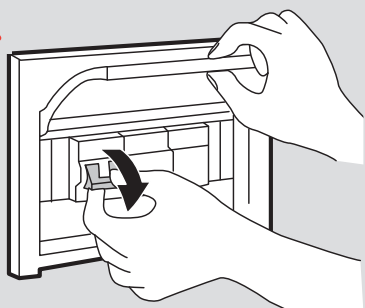
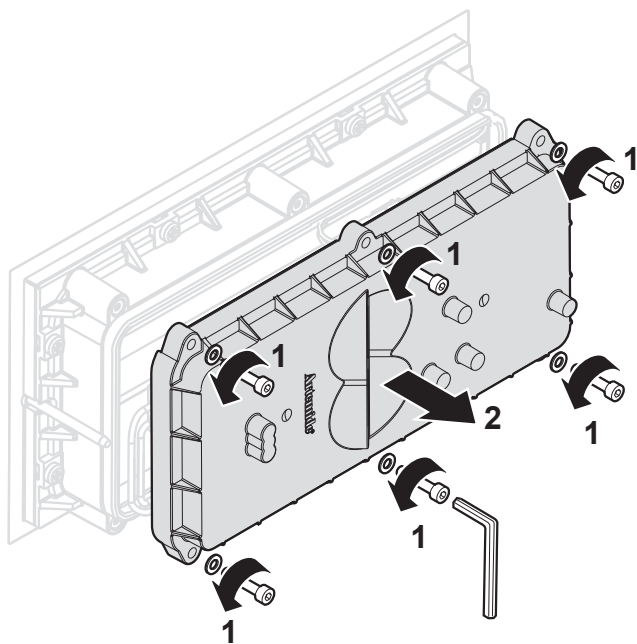


7a

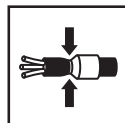
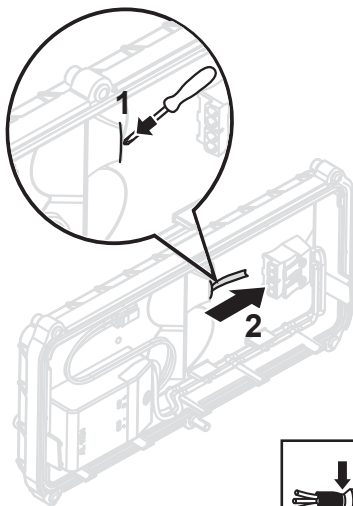




1b

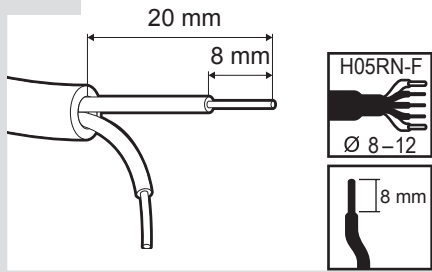


2b

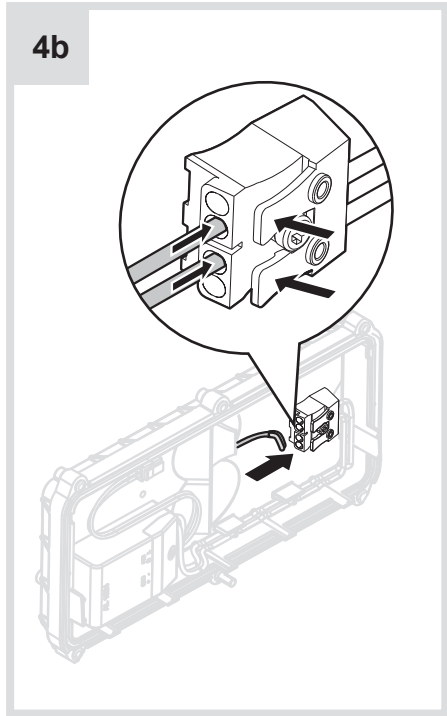




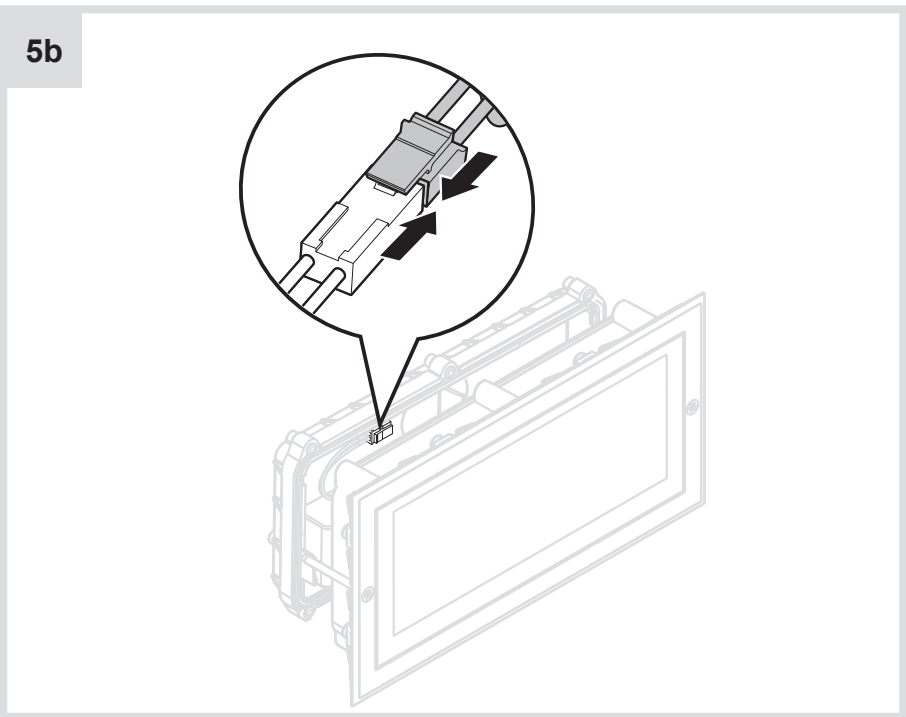
**3b**



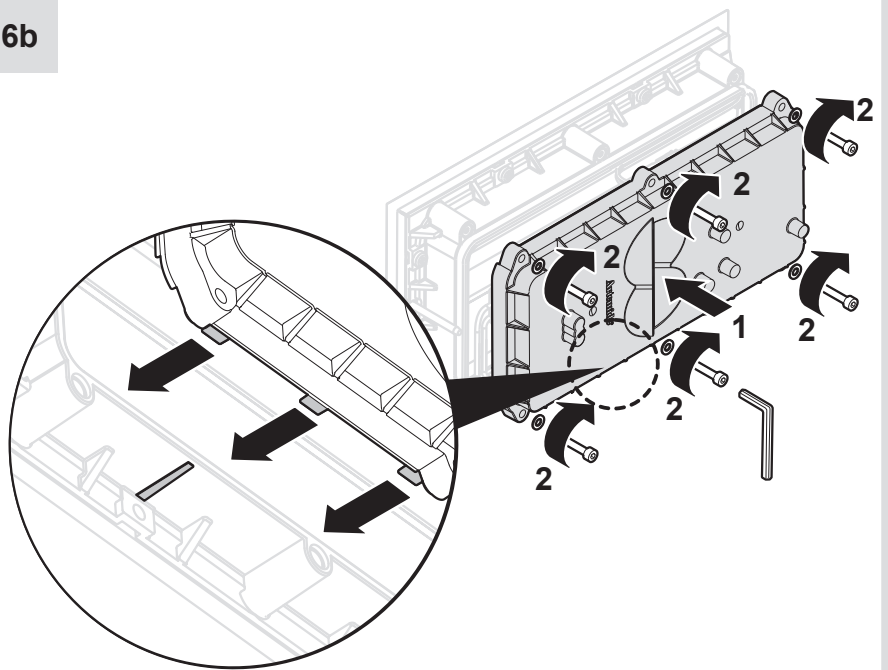
**4b**



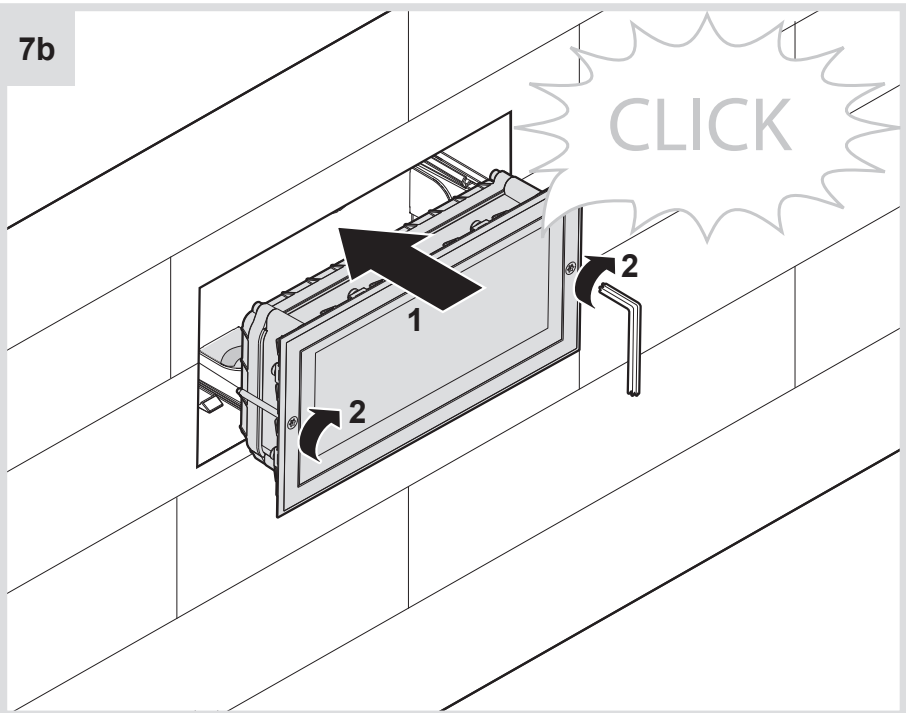
**5b**

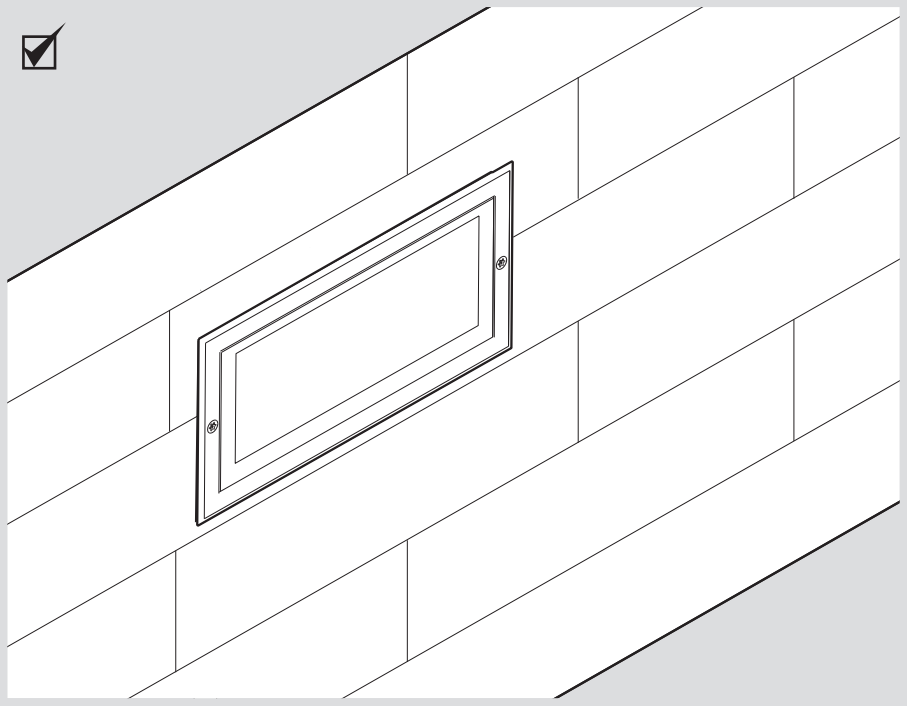


6b



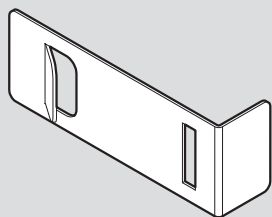
7b



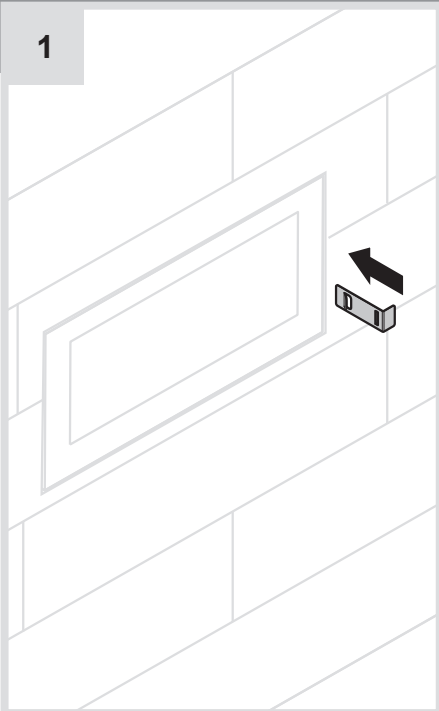




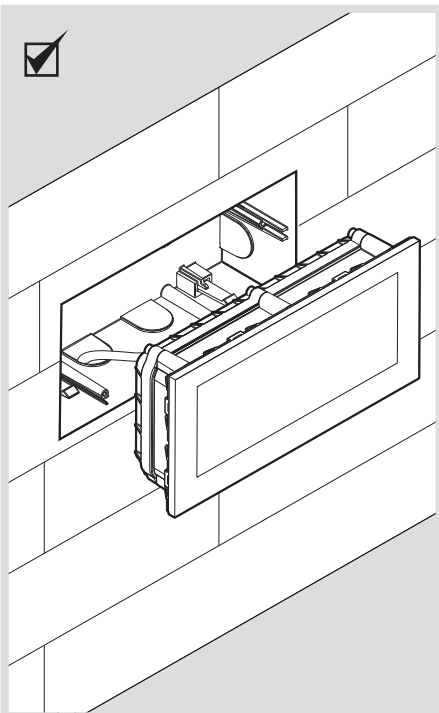
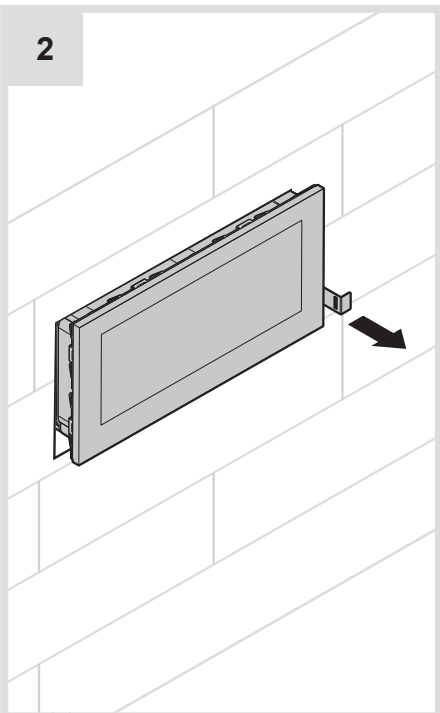
i



1



2

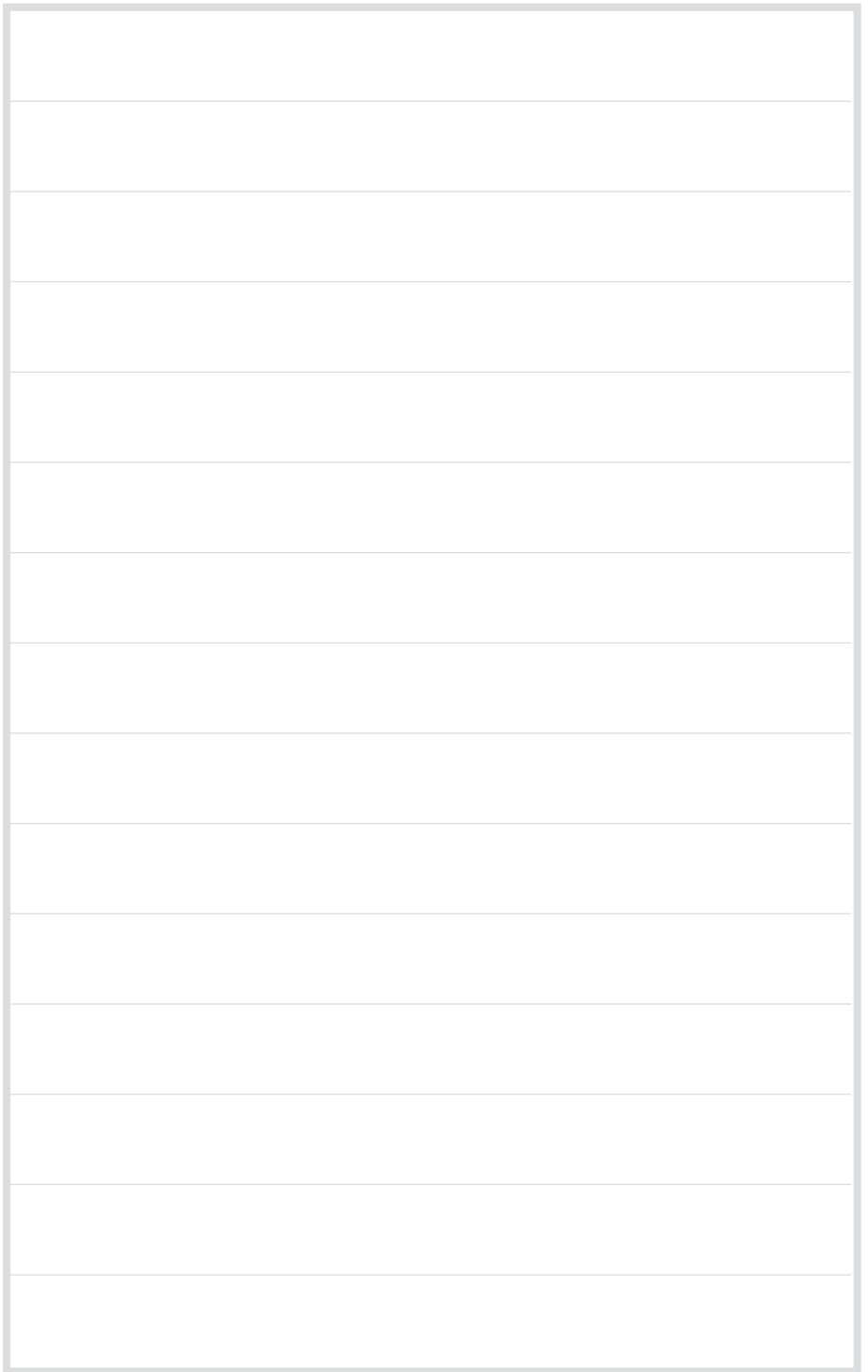


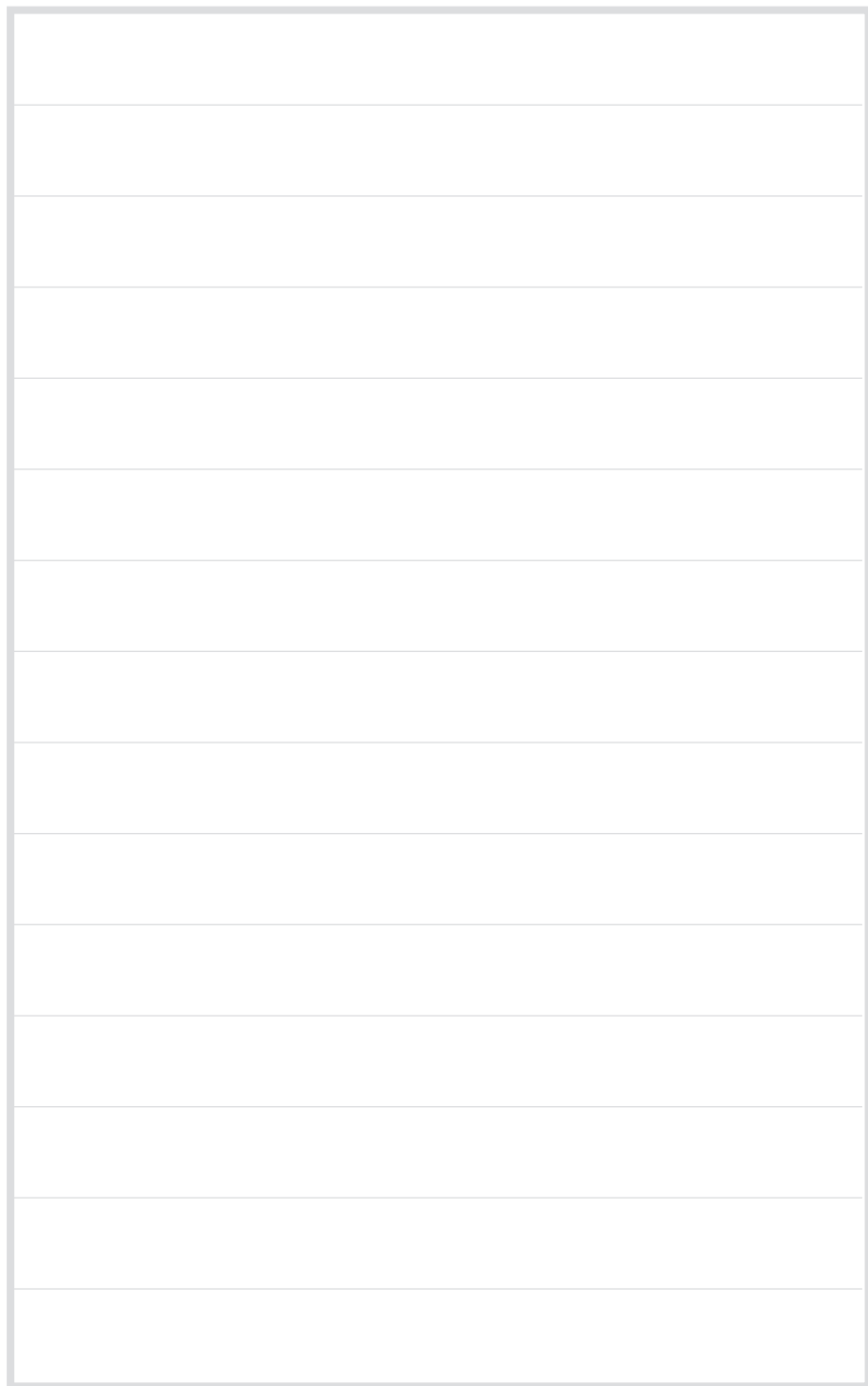
i



1







**Artemide®**



**Artemide**

via Bergamo, 18  
20010 Pregnana M.se (MI)  
ITALIA

tel. +39 02 935 181  
fax +39 02 935 90 254  
fax +39 02 935 90 496

[www.artemide.com](http://www.artemide.com)

VAT IT00846890150

cod. Y513000072B