

FALKLAND

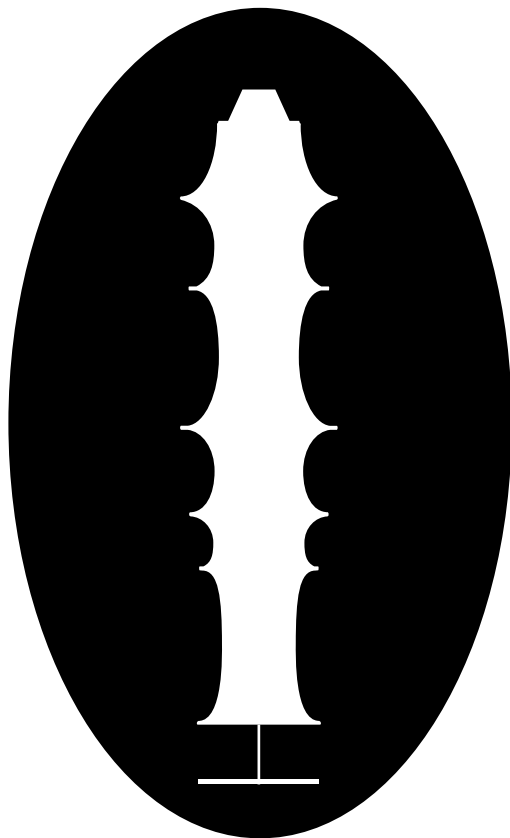
floor

Bruno Munari | 2003

DANESE



MILANO



MADE IN ITALY



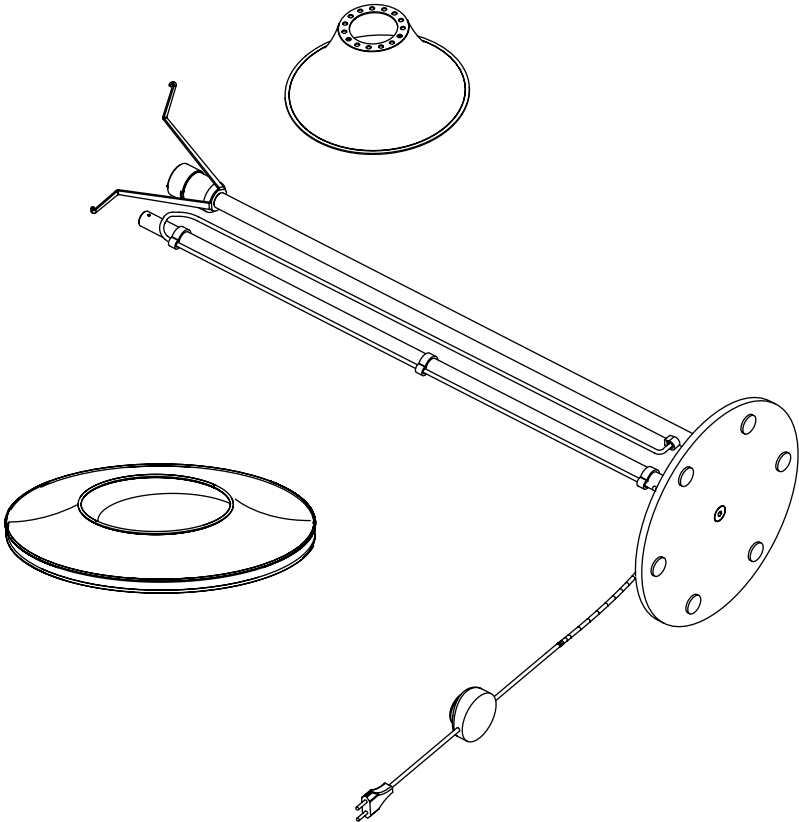
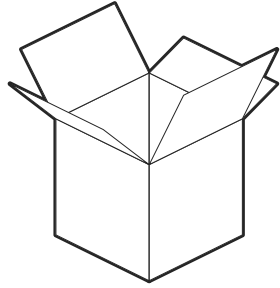
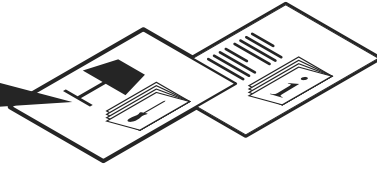


Fig. 1

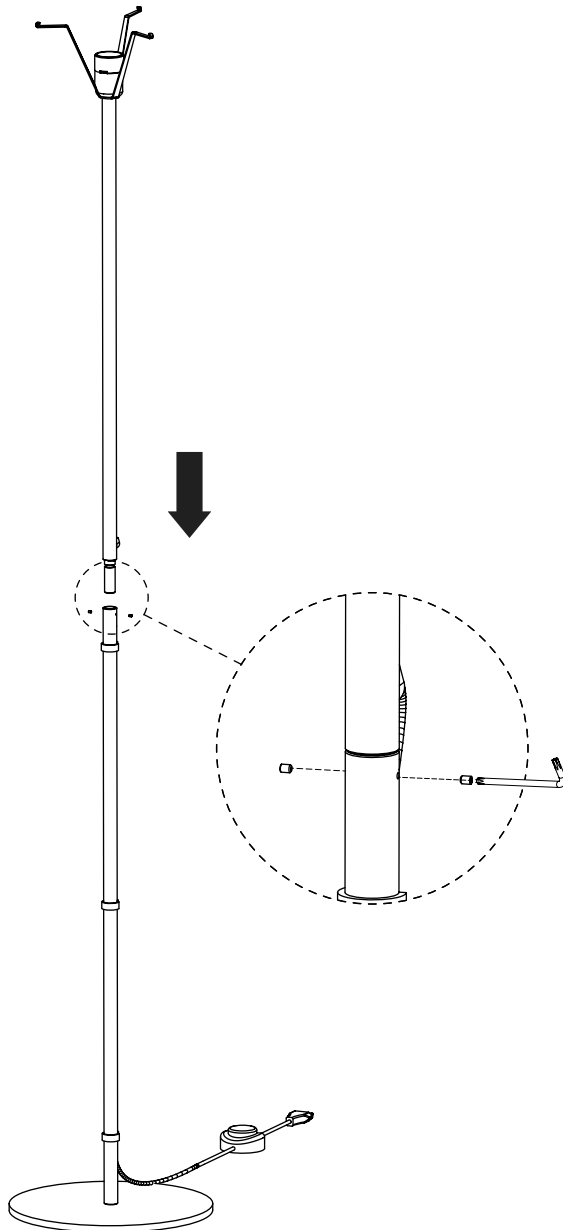


Fig. 2

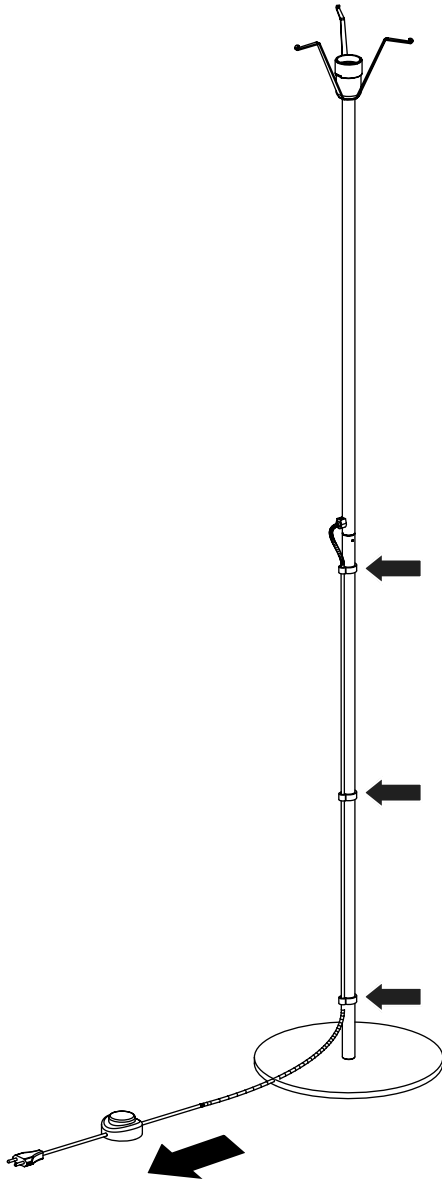


Fig. 3

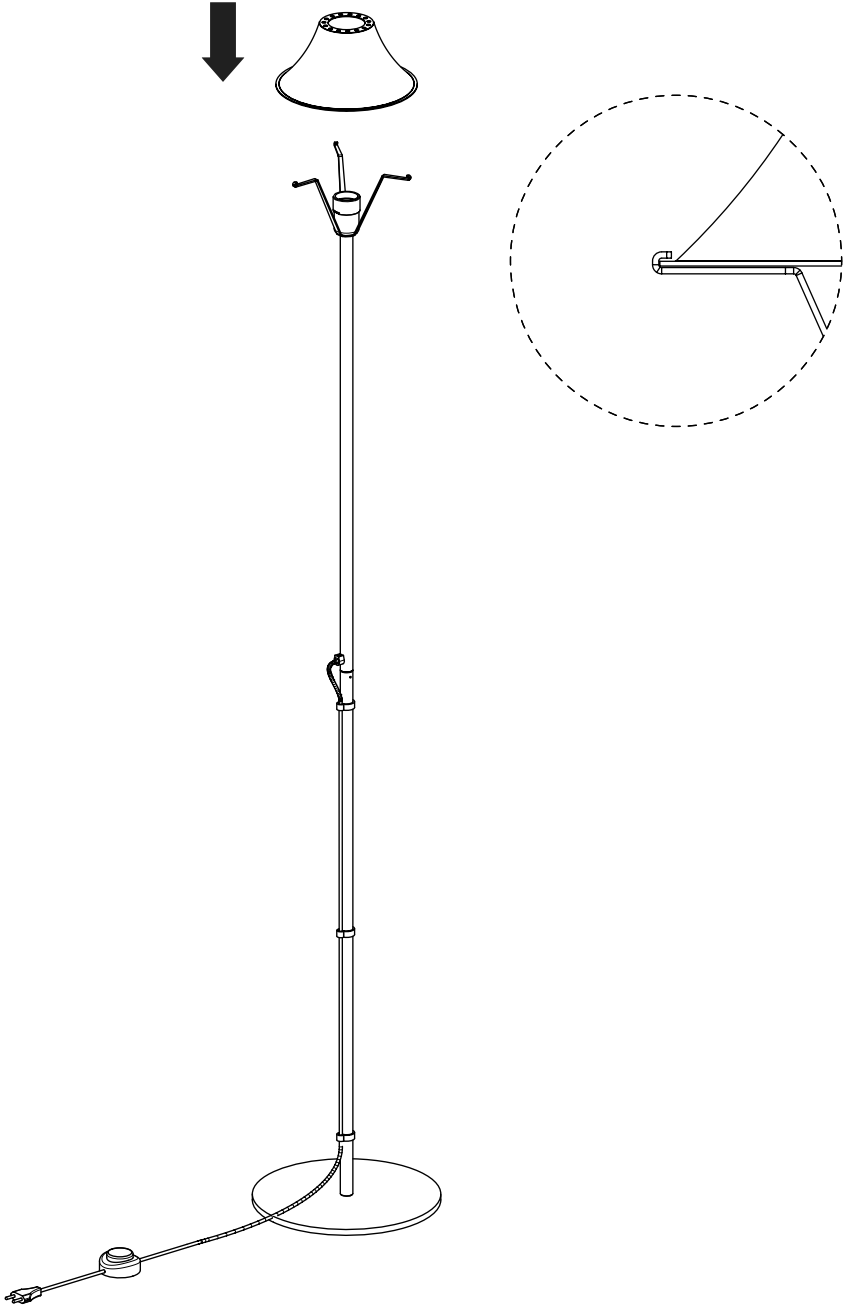
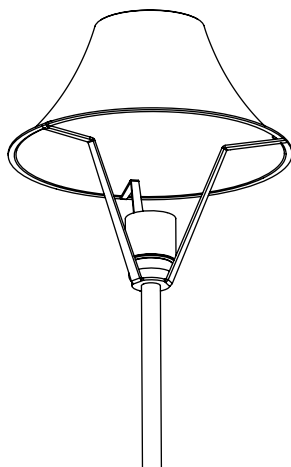


Fig. 4



220 - 240 V / 50 - 60 Hz	
MAX 77W (E27)	
Halo: HSGSA	1300 lm
LED: DRAA	1000 lm

Fig. 5

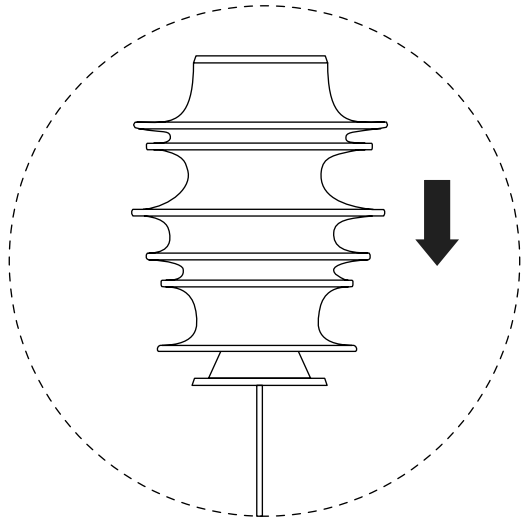
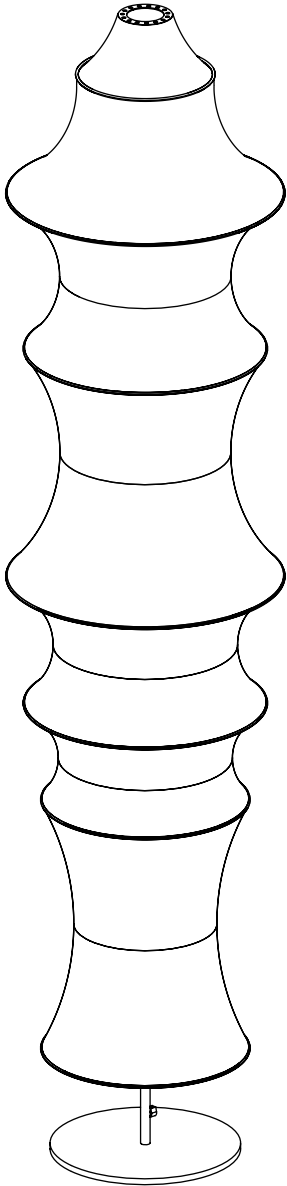


Fig. 6

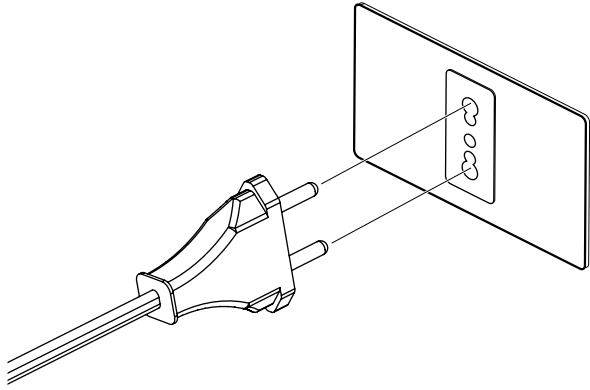
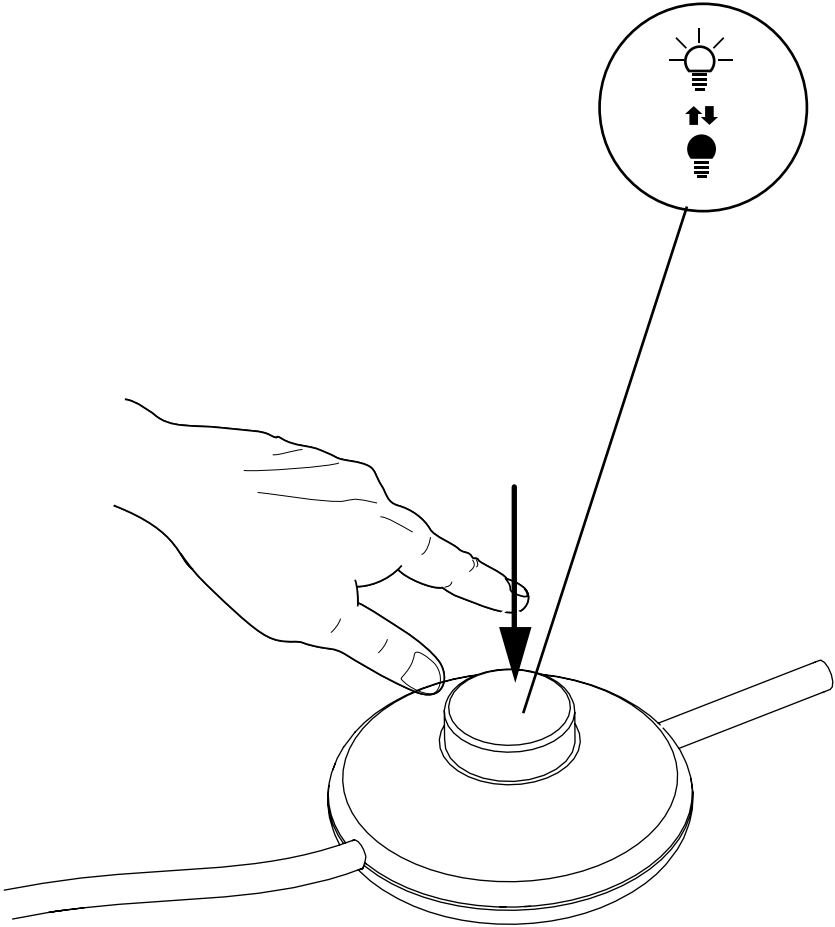
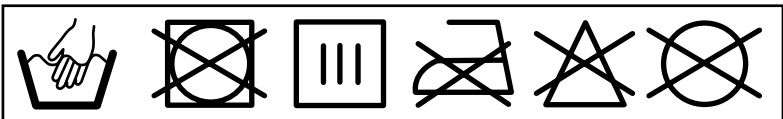
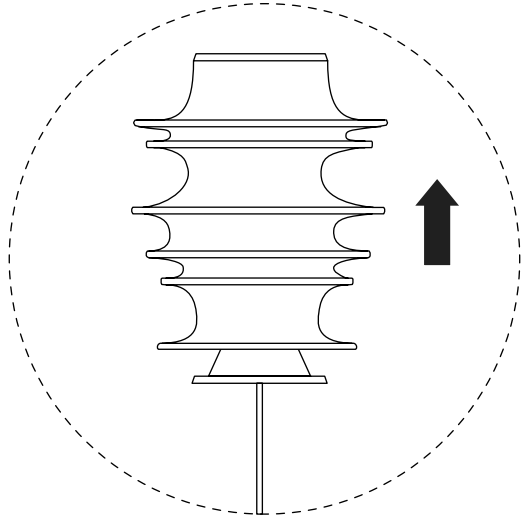
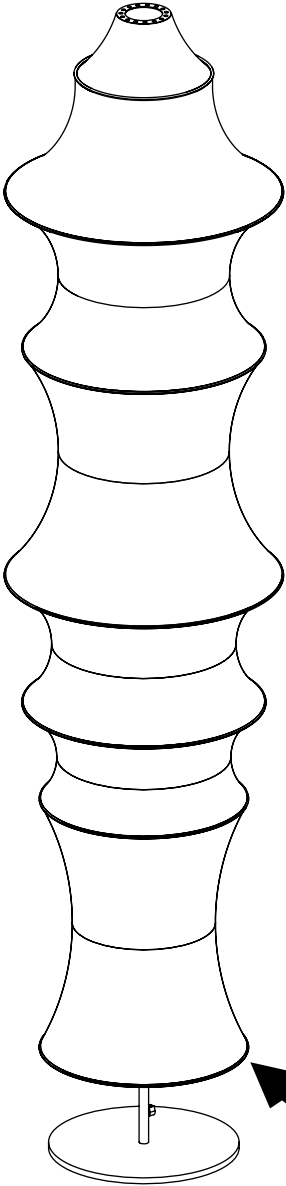


Fig. 7





DANESE

VIA ANTONIO CANOVA 34

20145 MILANO

T. +39.02.349611

F. +39.02.34538211

info@danese milano.com

www.danese milano.com

SHOWROOM

PIAZZA SAN NAZARO IN BROLO 15

20122 MILANO

T. +39.02.58304150

F. +39.02.58433350

showroomdanese@artemide.com

DANESE



MILANO | Artemide®

VIA BERGAMO 18

20010 PREGNANA MILANESE (MI) ITALY

T. +39.02.935181 - 935261

Numero Verde 800 834 093 (from Italy only)

© FEBRUARY 2019 DANESE

DANESE reserves the right to change, at any time and without prior warning, the technical specification of any product illustrated in this instruction.

cod. Y513001077