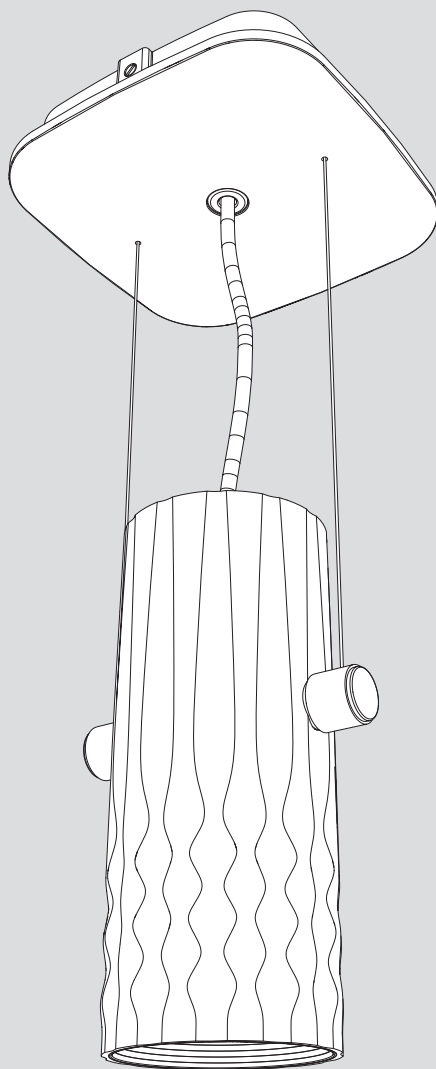


Artemide®

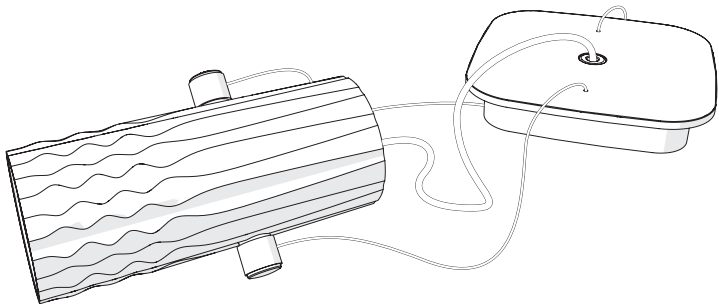
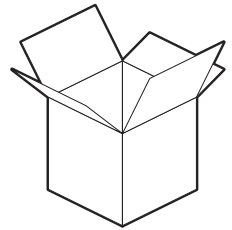
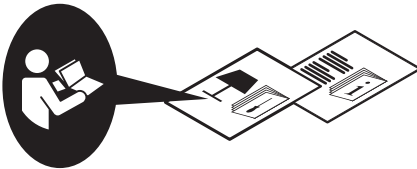
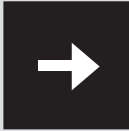
Fiamma

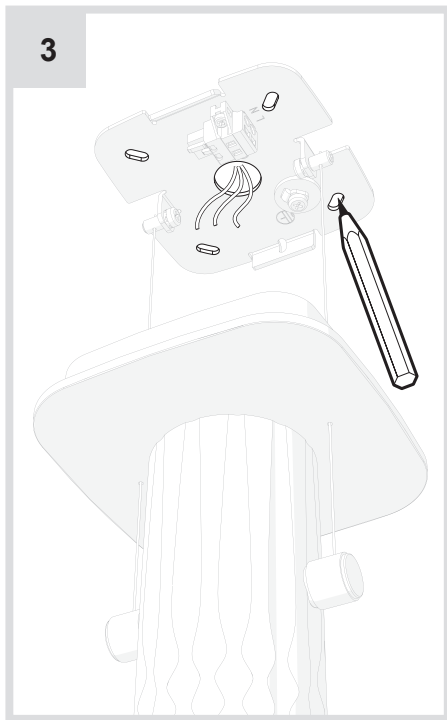
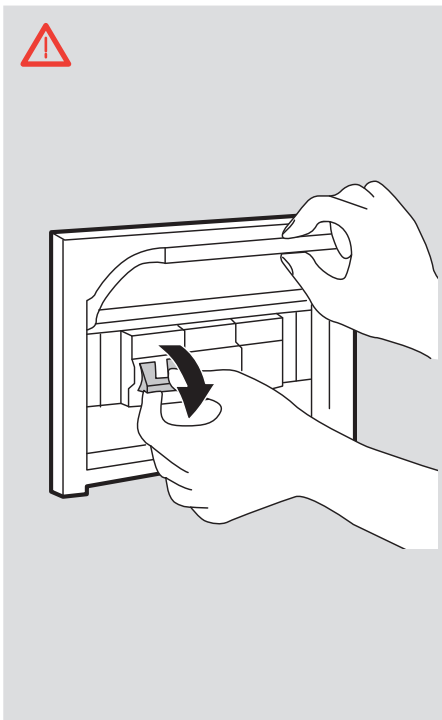
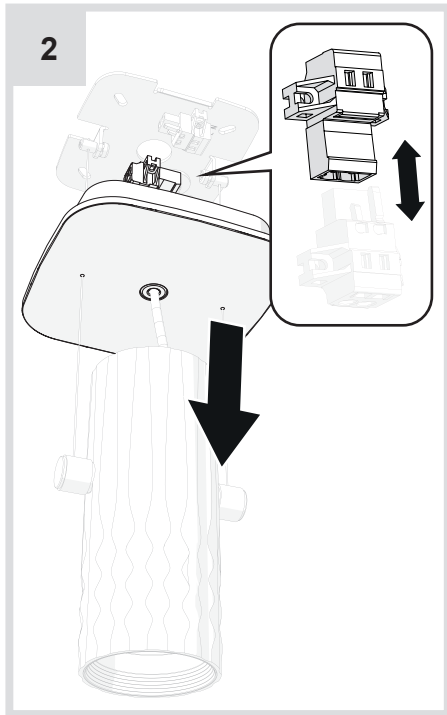
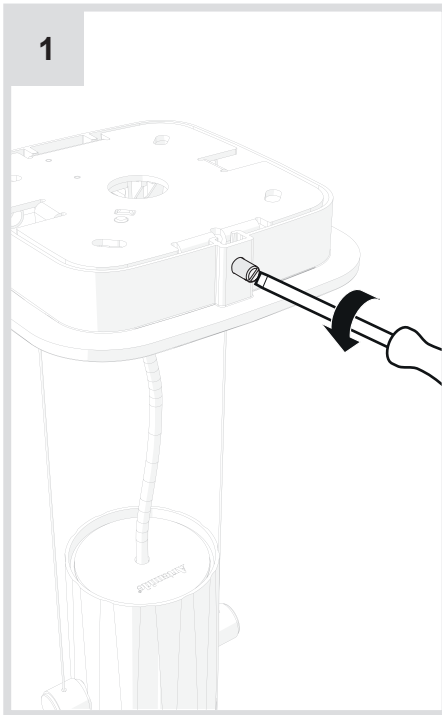
design
Wilмотte & Industries



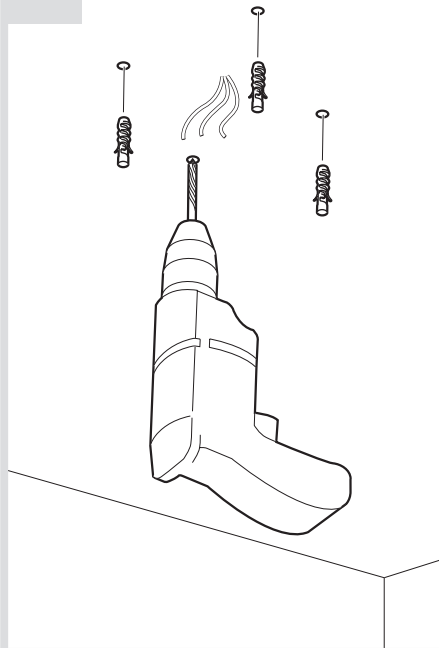


i





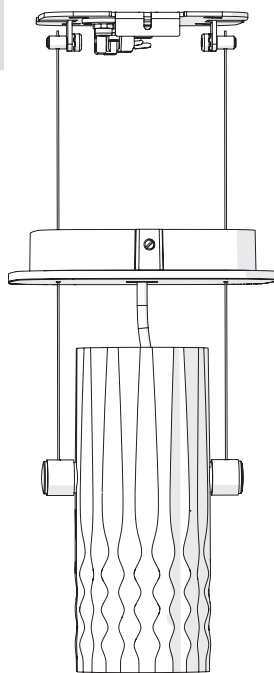
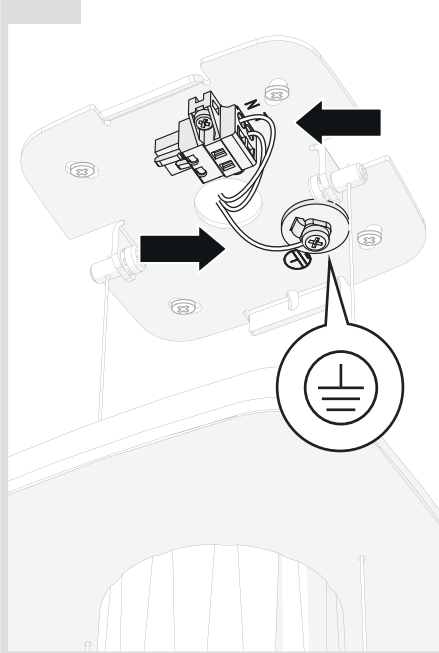
4



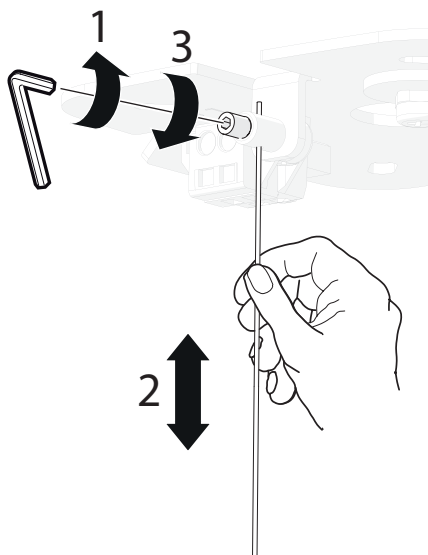
5



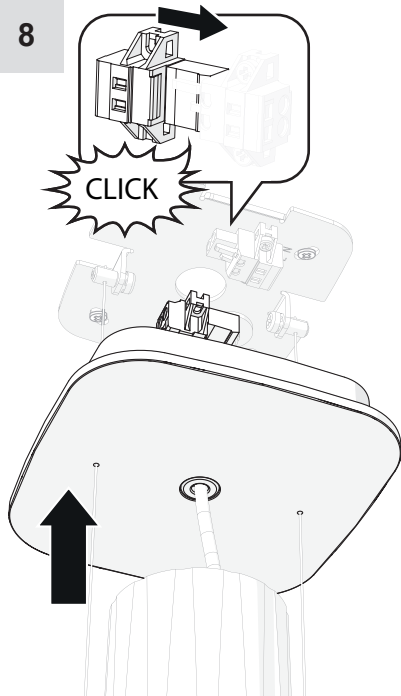
6



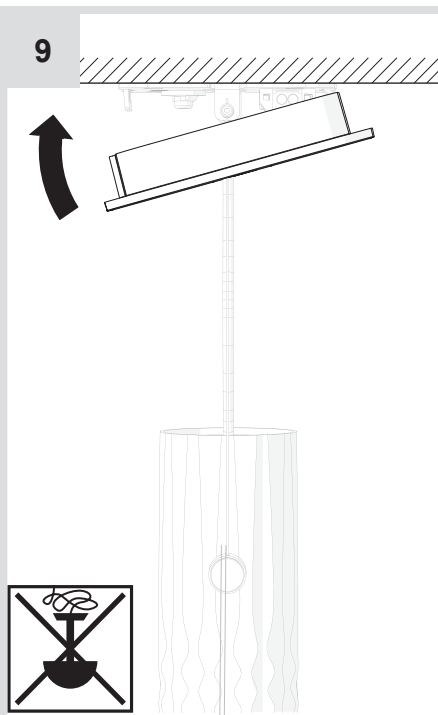
7



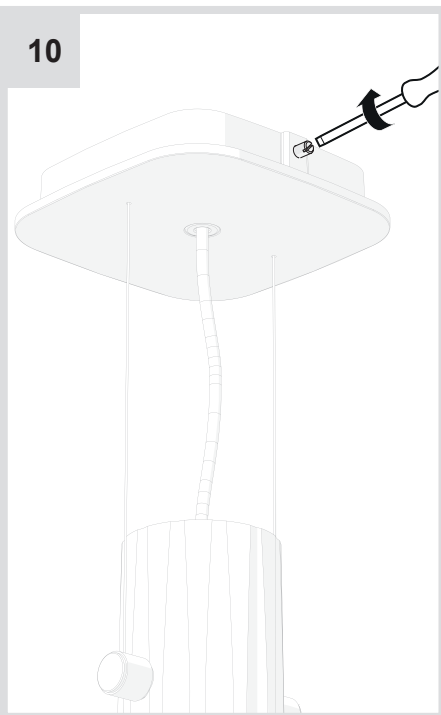
8



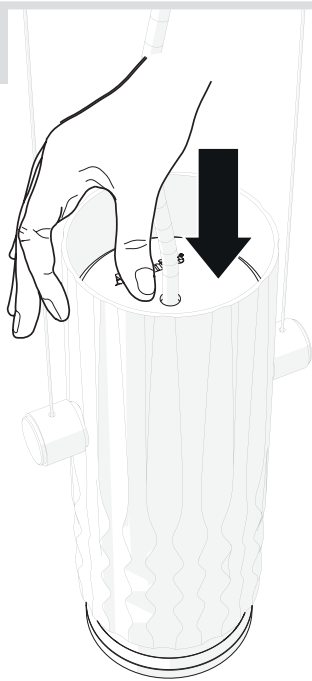
9



10



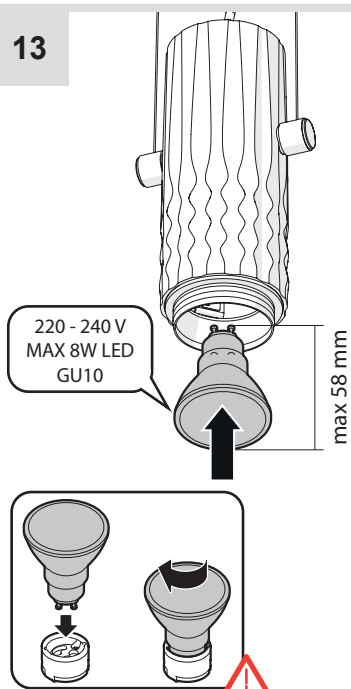
11



12



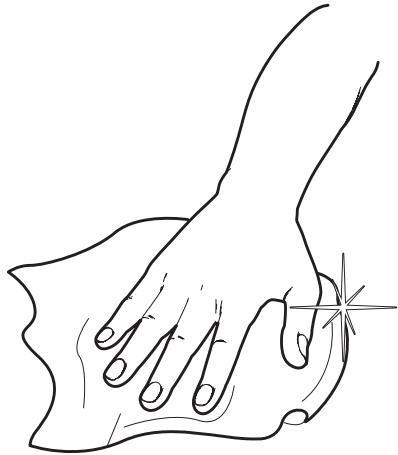
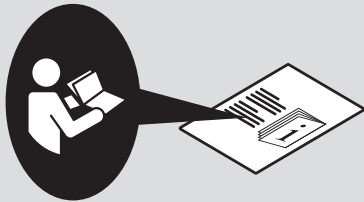
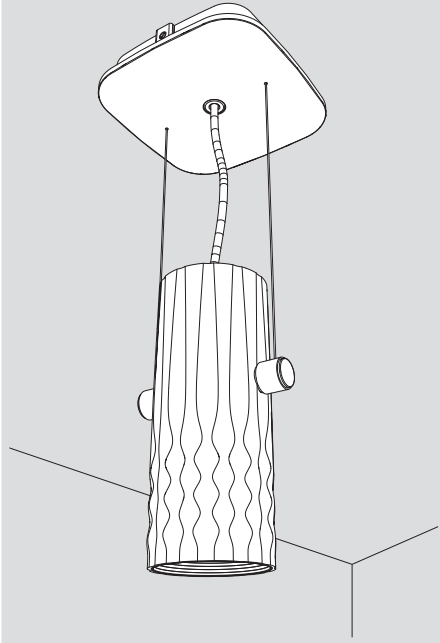
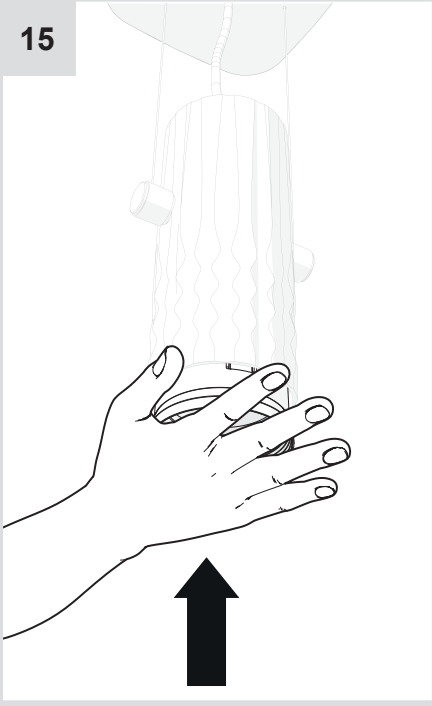
13



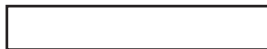
14



15



Artemide®



Artemide

via Bergamo, 18
20010 Pregnana M.se (MI)
ITALIA

tel. +39 02 935 181
fax +39 02 935 90 254
fax +39 02 935 90 496

www.artemide.com

VAT IT00846890150

cod. Y513000316A