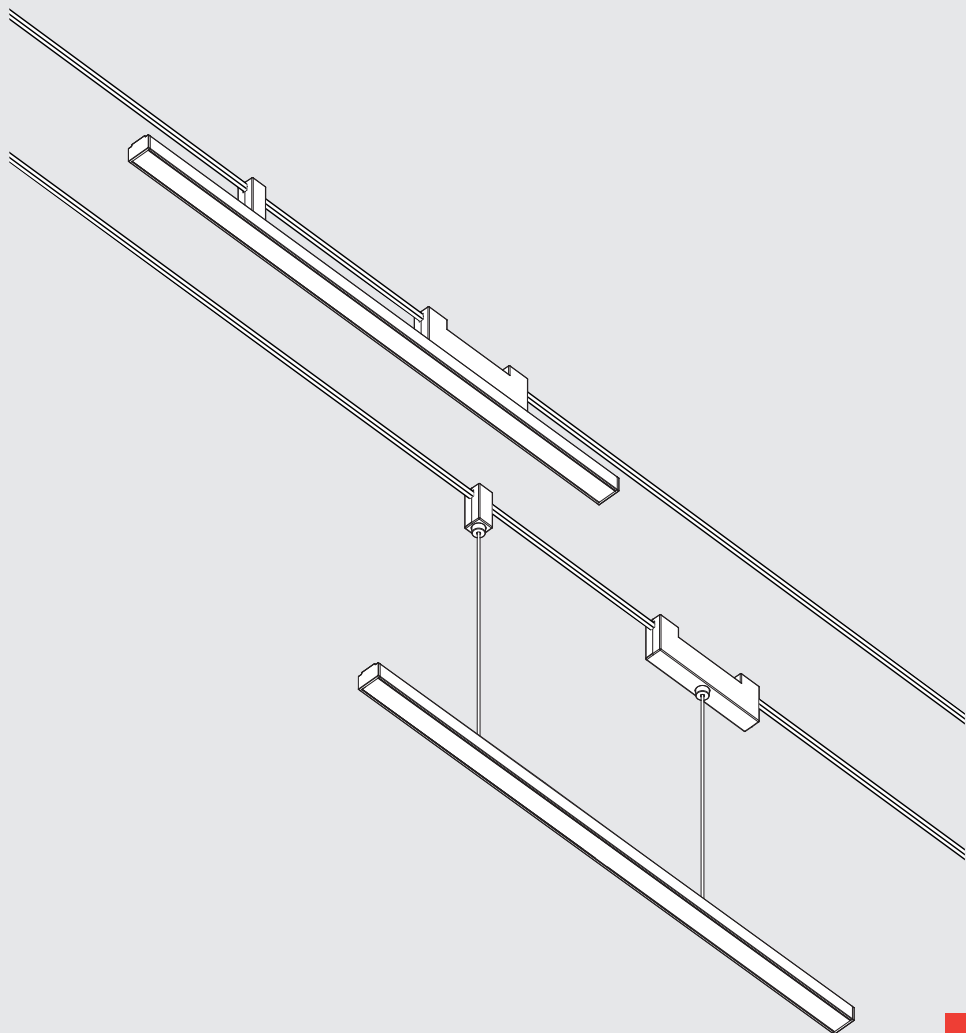


Artemide®

DIFFUSED LINEAR 600 / 1200 FUNIVIA DIFFUSED LINEAR 600 / 1200 PENDANT FUNIVIA

design
Carlotta de Bevilacqua



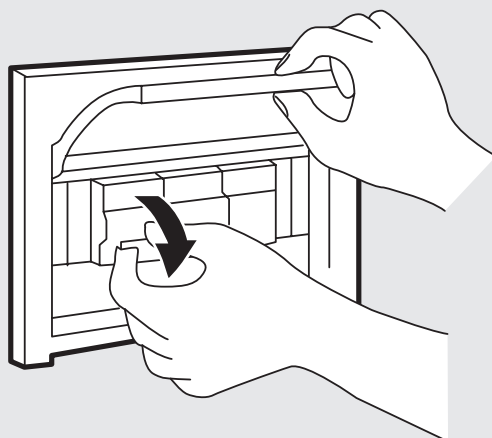


i

GET IT ON
Google Play

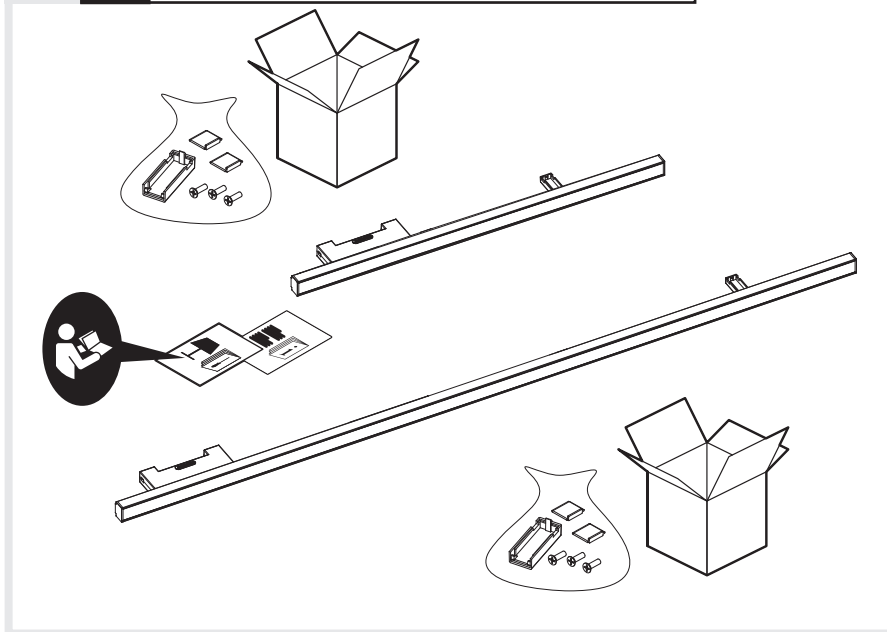
Download on the
App Store

Artemide App
Quick Starting Guide

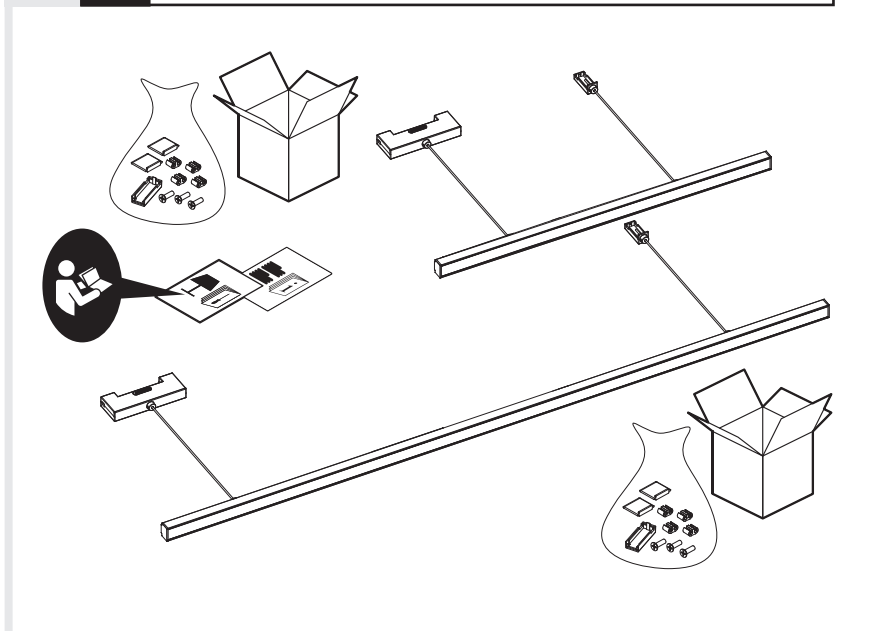




A Diffused Linear 600 / 1200 Funivia

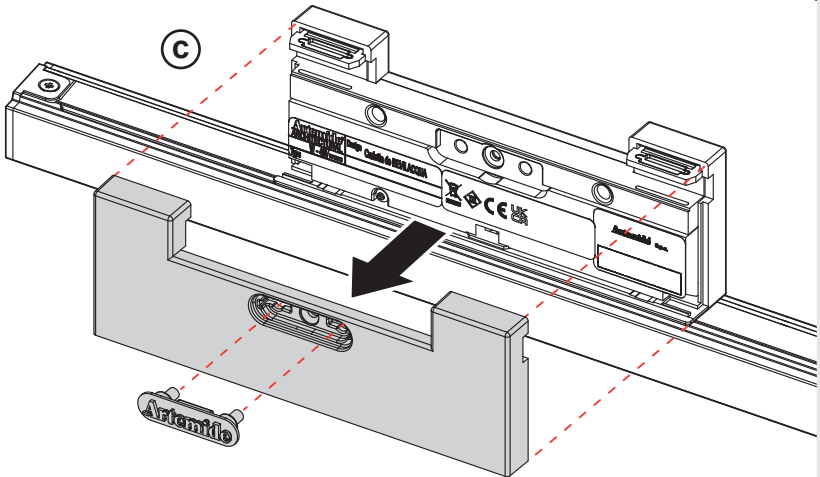
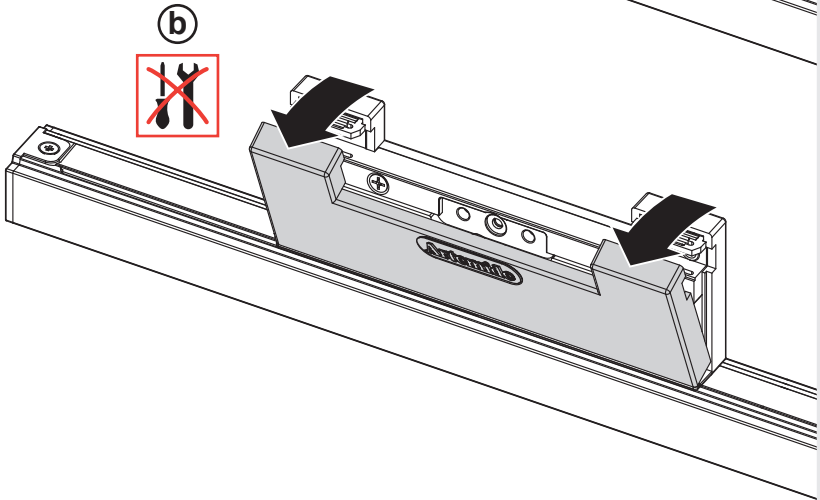
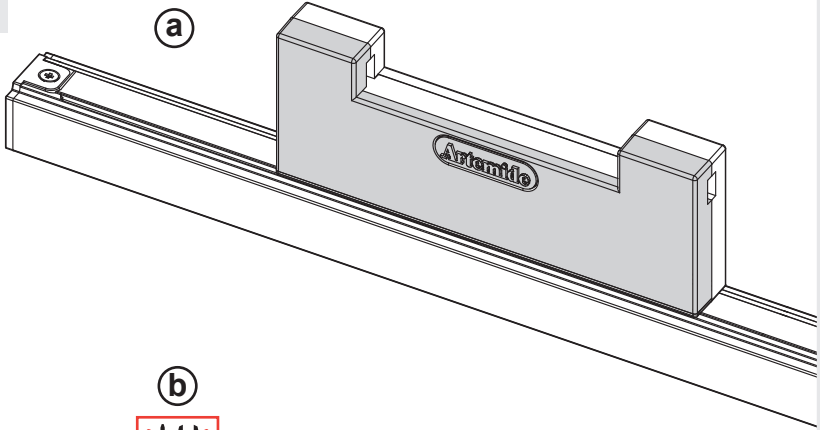


B Diffused Linear 600 / 1200 Pendant Funivia

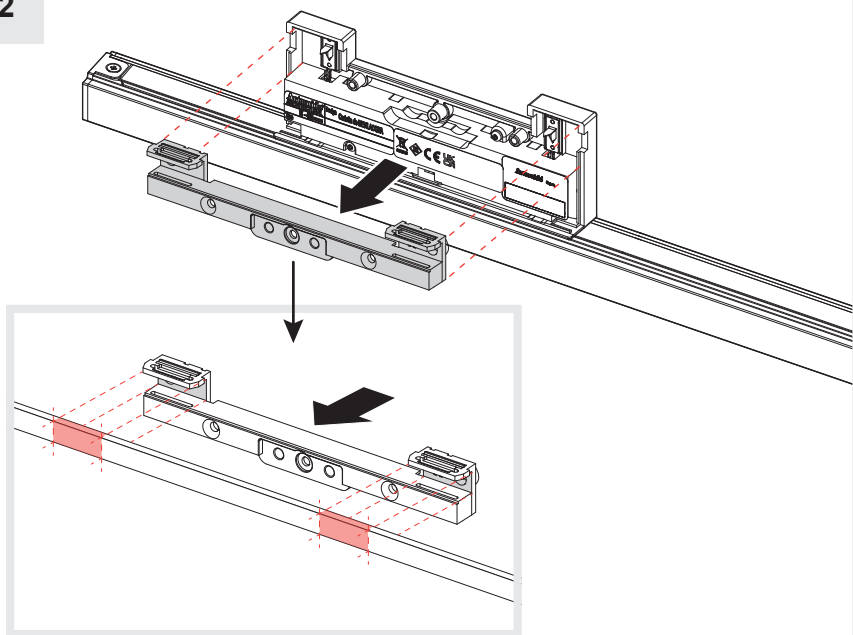


	POWER KIT TYPOLOGY	POWER [W]	DIFFUSED LINEAR 600/1200 FUNIVIA		DIFFUSED LINEAR 600/1200 PENDANT FUNIVIA	
			APP	PUSH	APP	PUSH
REST OF THE WORLD	RECESSED SUSPENSION	150	x	x	x	x
		240	x	x	x	x
		320	x	x	x	x
	RECESSED CEILING	150	x	x	x	x
		240	x	x	x	x
		320	x	x	x	x
	SMD	150	x	x	x	x
		240	x	x	x	x
	REMOTE	240	x	x	x	x
		320	x	x	x	x
US/CA	RECESSED SUSPENSION	100	x		x	
		150		x		x
	RECESSED CEILING	100	x		x	
		150		x		x
	SMD	100	x		x	
		240		x		x
	REMOTE	100	x		x	
		150		x		x
	WALL/SMD REMOTE	100	x		x	
		240		x		x
320			x		x	

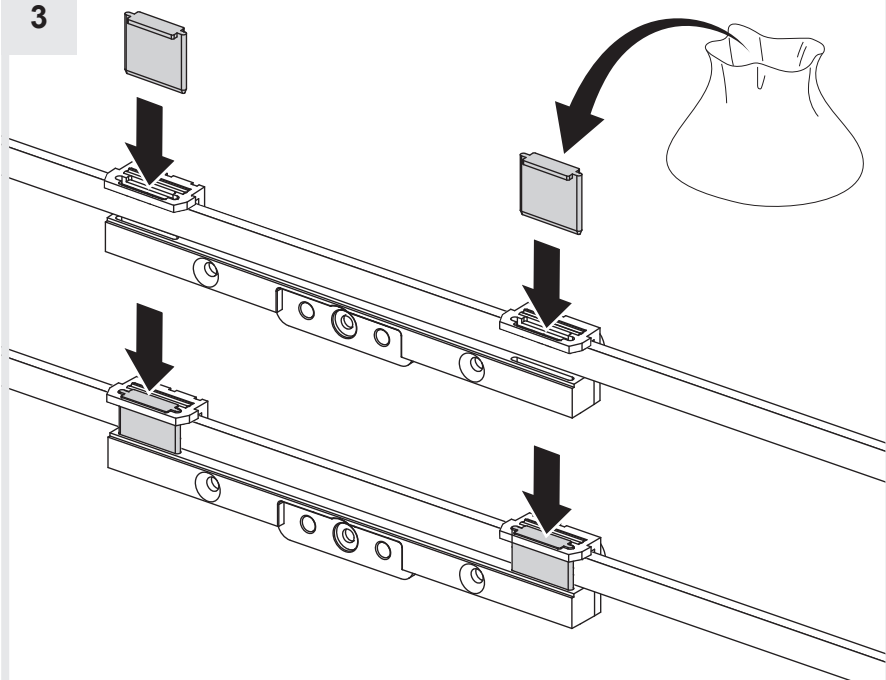
1

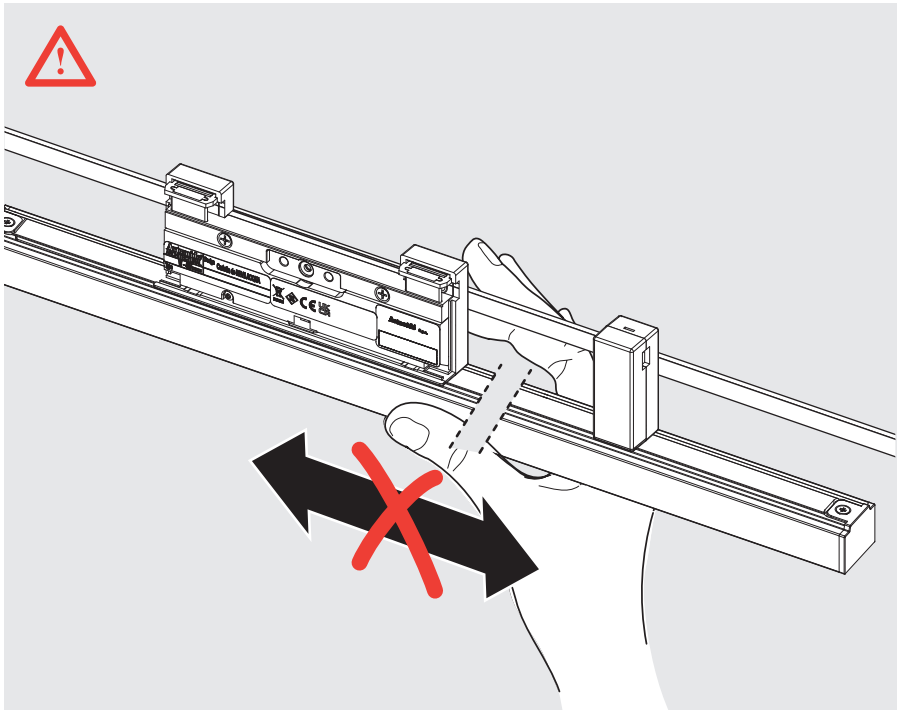
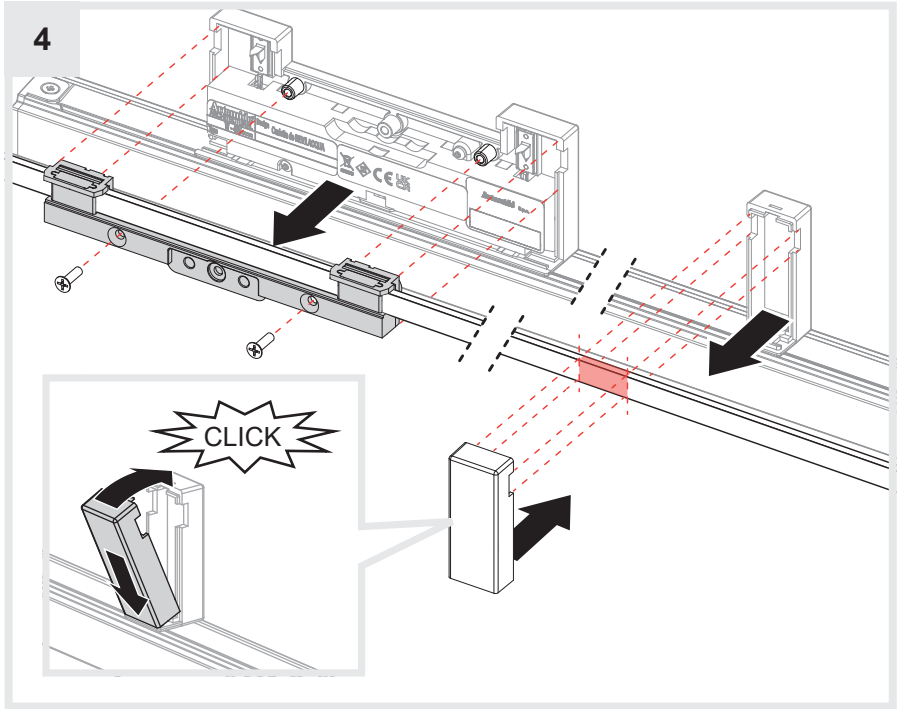


2

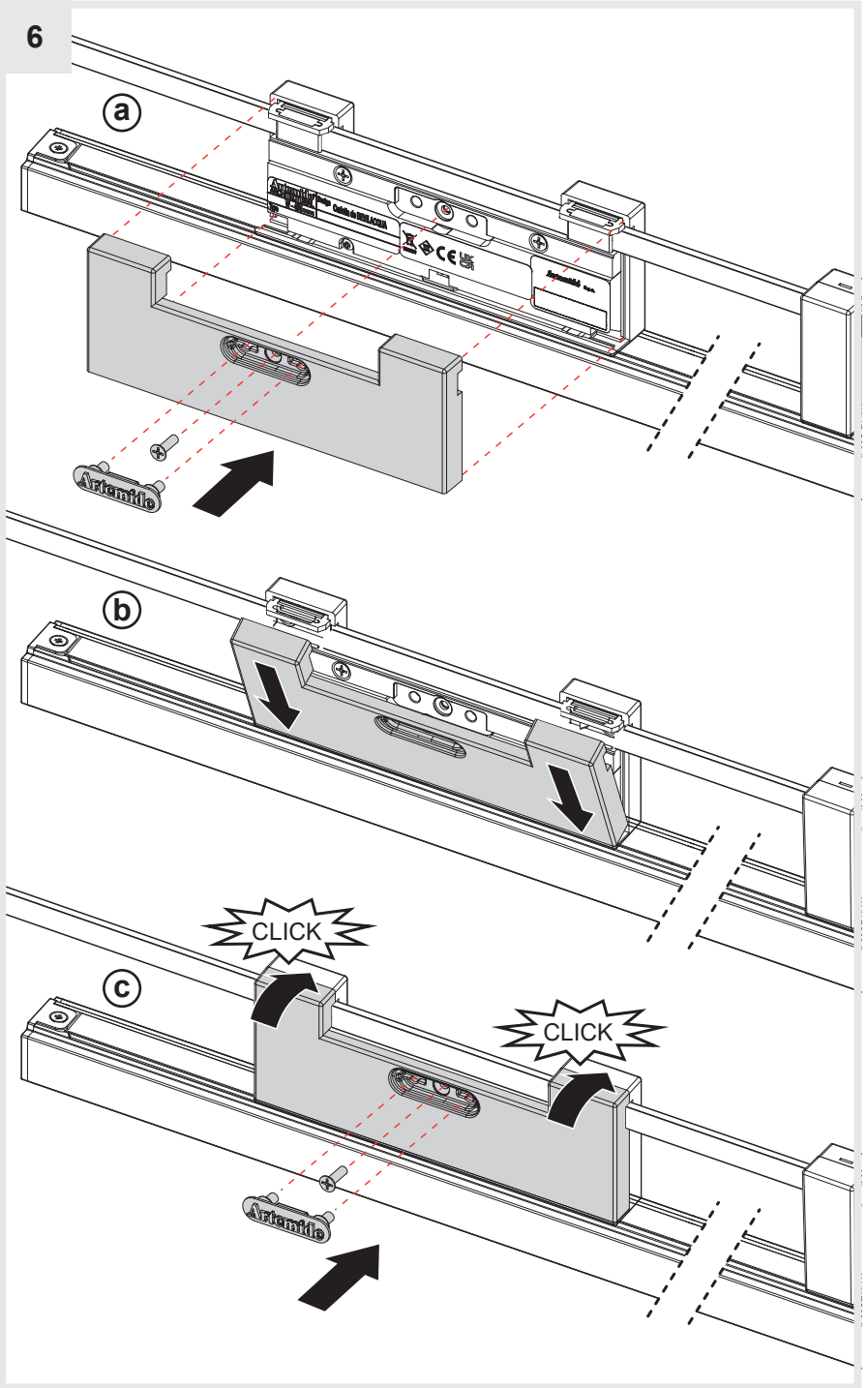


3



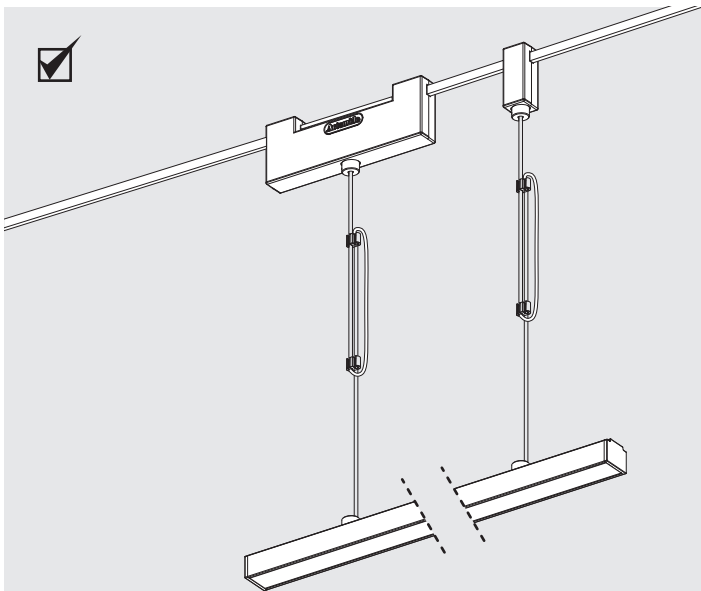
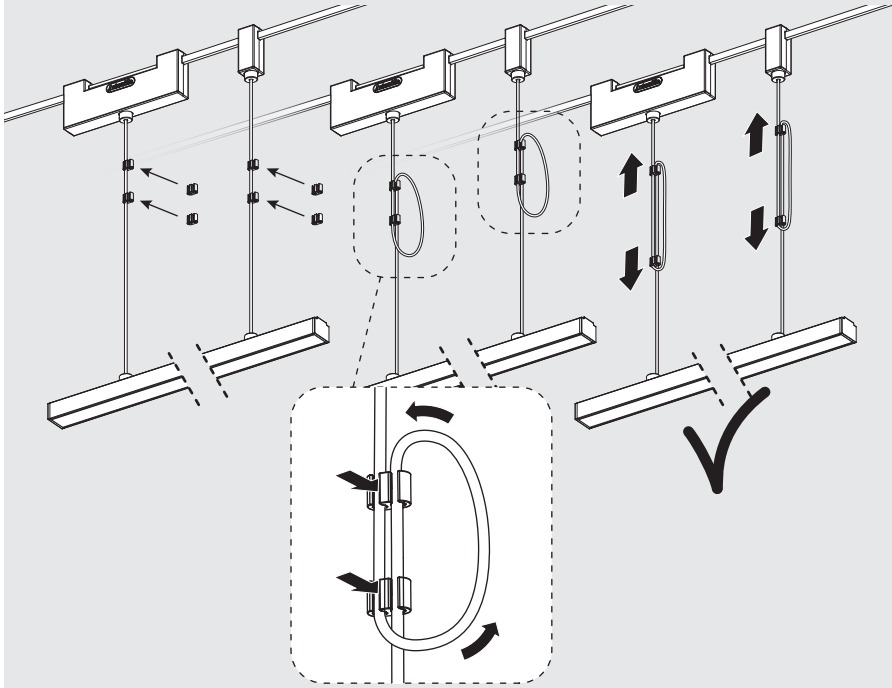


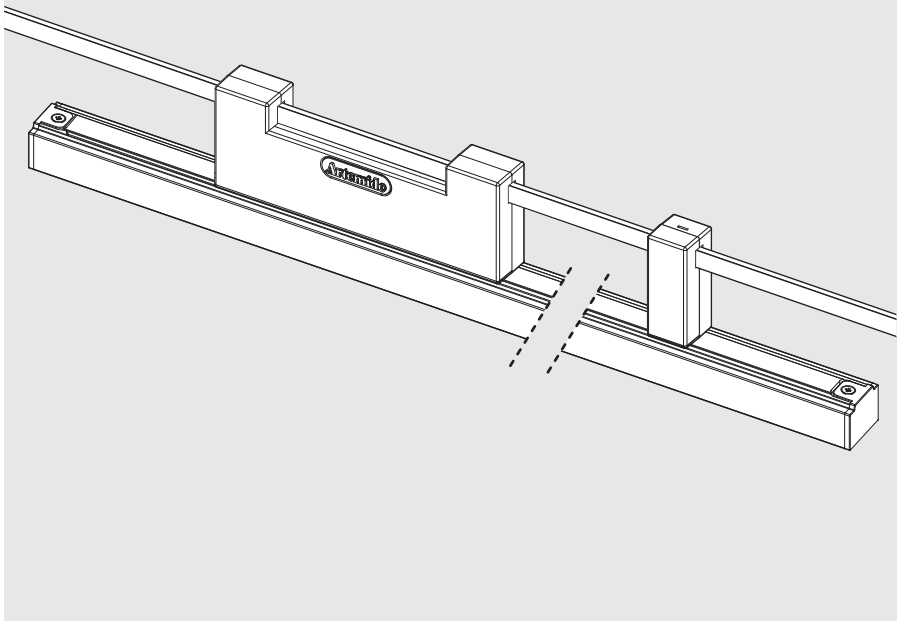
6



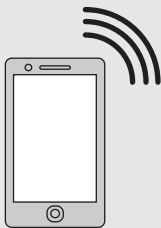
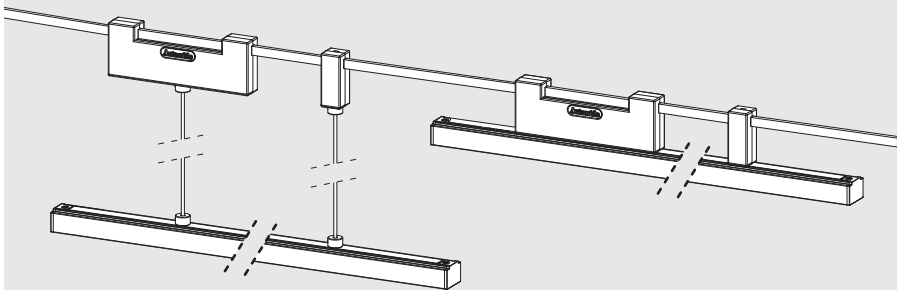
i

Only for Diffused Linear 600 / 1200 Pendant Funivia





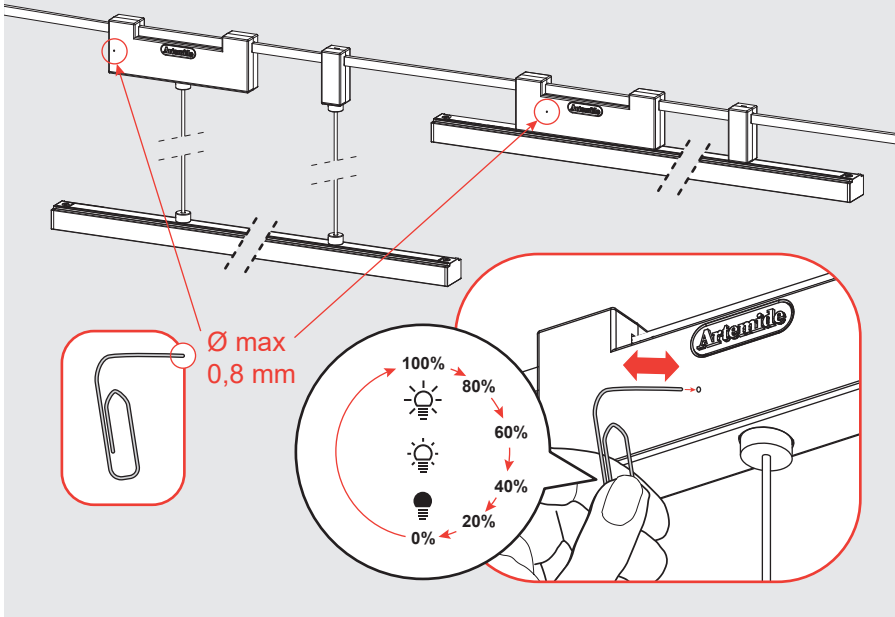
Only for APP versions



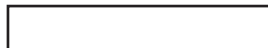
Artemide App
Starting Guide



Only for PUSH DIMM versions



Artemide®



Artemide

via Bergamo, 18
20010 Pregnana M.se (MI)
ITALIA

tel. +39 02 935 181
fax +39 02 935 90 254
fax +39 02 935 90 496

www.artemide.com

VAT IT00846890150

Artemide Inc.

250 Karin Lane
Hicksville, NY 11801

tel. 631 694 9292
Toll Free 1-877-Art-9111
Fax 631 694 9275

www.artemide.net

Artemide Ltée/Ltd.

11105 rue Renaude Lapointe
Montréal, Québec H1J 2T4

Tel. 514 323 6537
Toll Free 888 777 2783
Fax 514 323 8864

www.artemide.net

cod. Y513001689