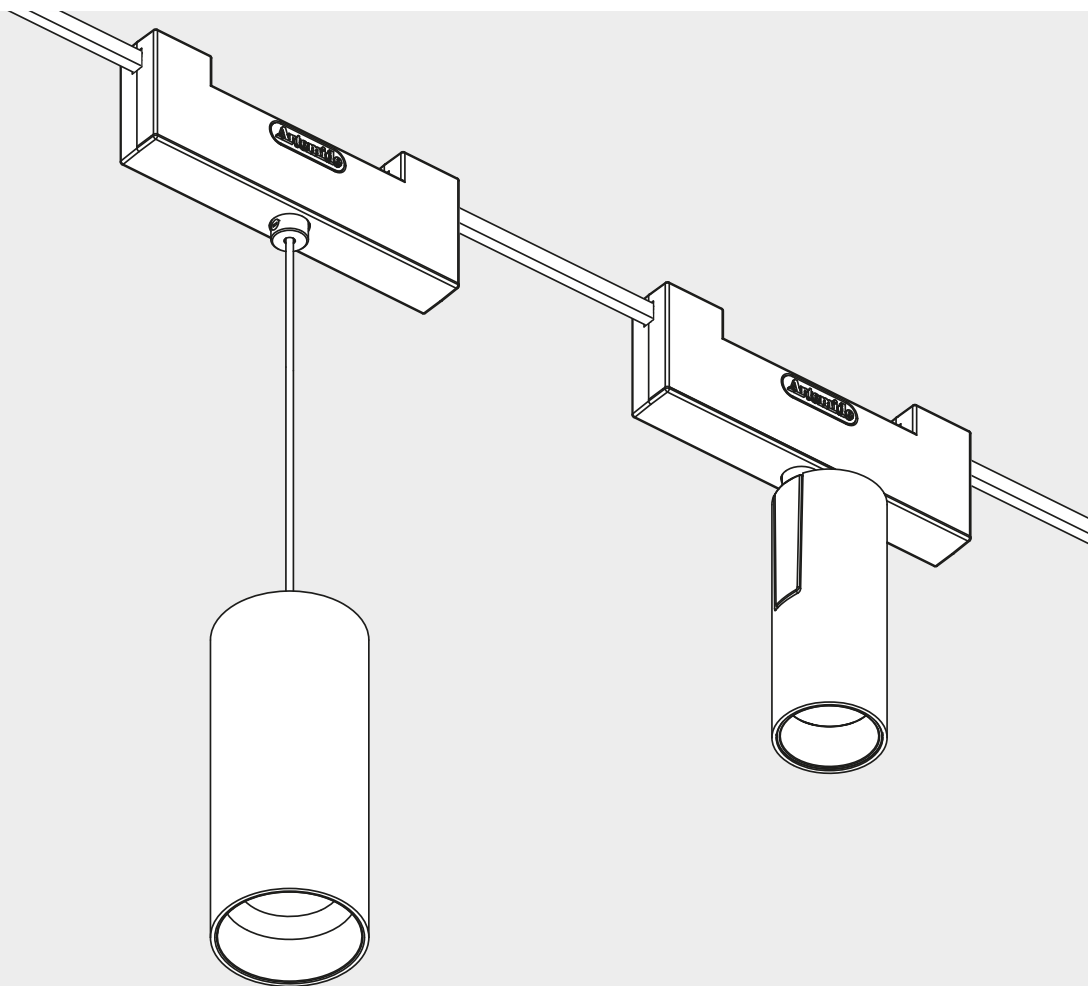


Artemide®

VECTOR 30 / 40 / 55 FUNIVIA VECTOR 30 / 40 / 55 PENDANT FUNIVIA

design
Carlotta de Bevilacqua





i

VECTOR 55

VECTOR 30/40

VECTOR 30

VECTOR 40



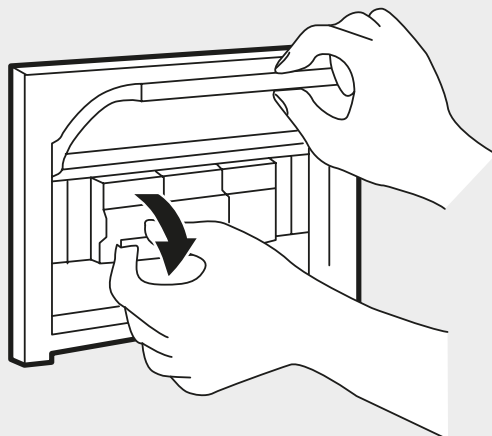
	LED1 from Dthr (m)		
	2700K	3000K	4000K
SP	LED1	LED1	1,66
FL	LED1	LED1	1,4
WF	LED1	LED1	1,4

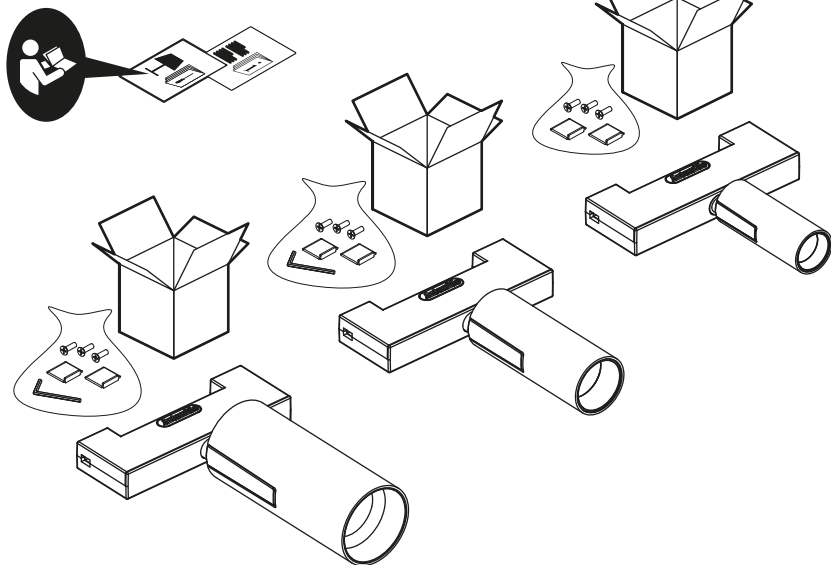
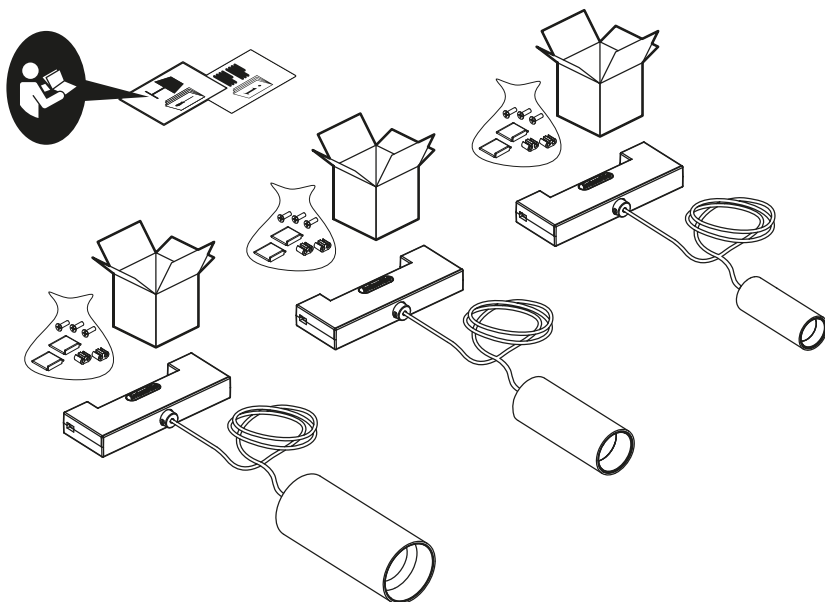
	LED1 from Dthr (m)		
	2700K	3000K	4000K
SP	1,6	1,6	2,15
FL	LED1	LED1	1,75
WF	LED1	LED1	1,75

--	--	--	--	--



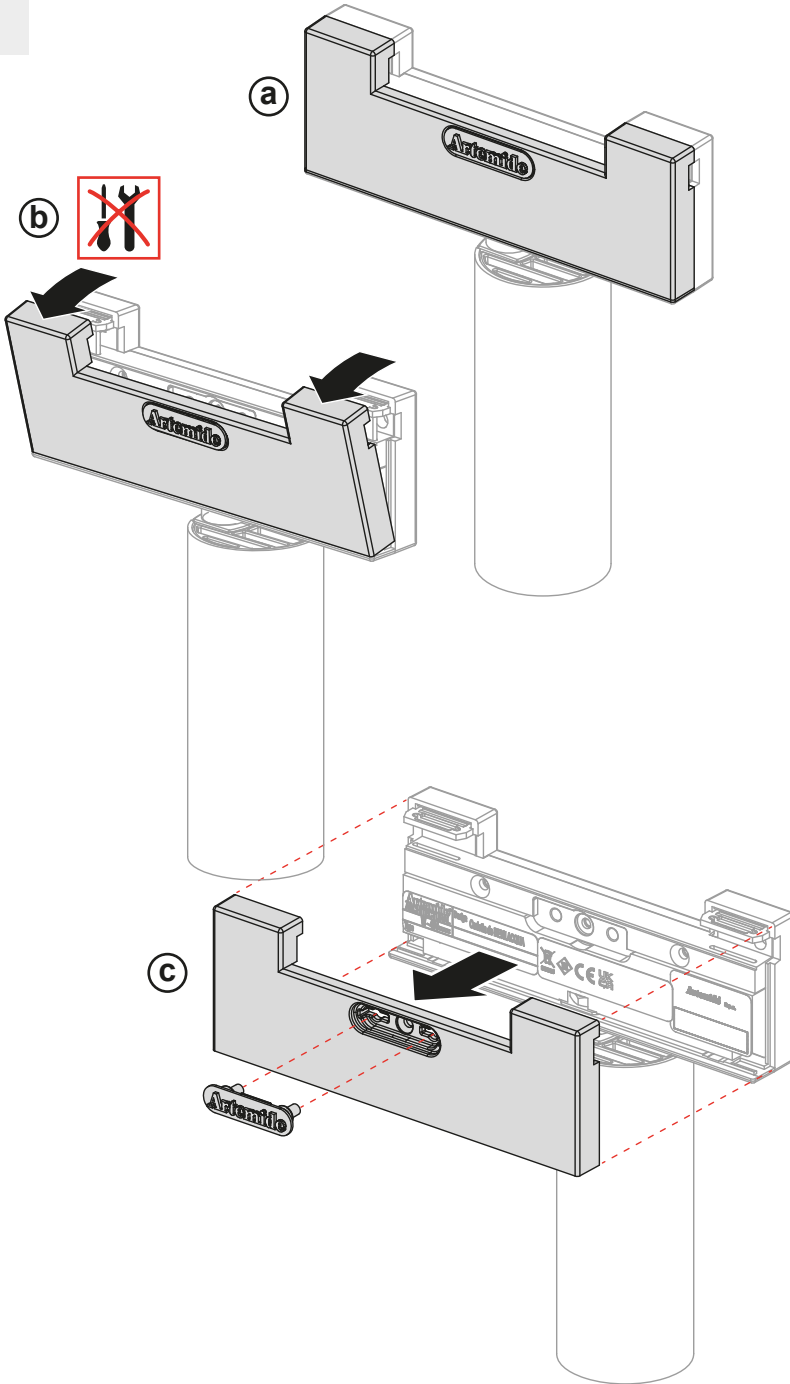
Artemide App
Quick Starting Guide



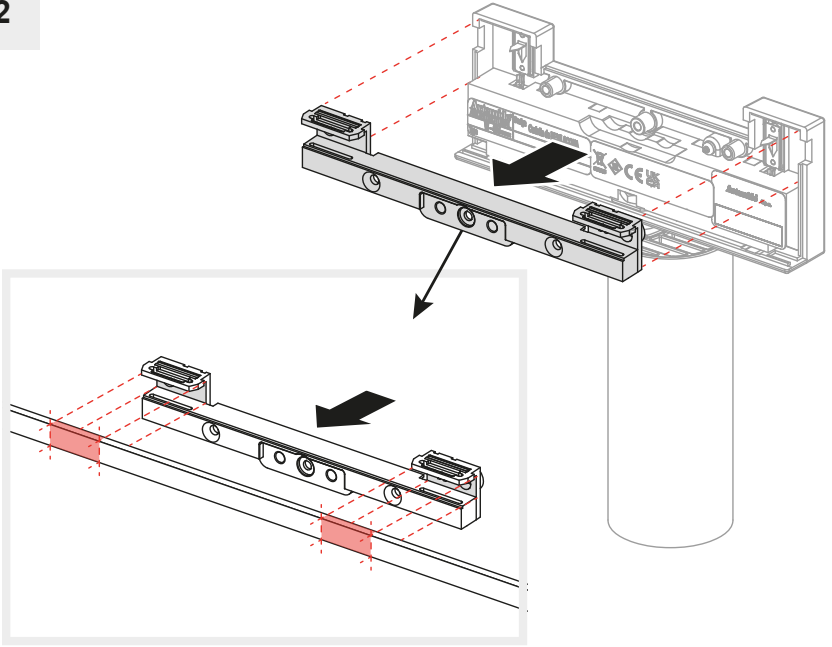
**A****Vector 30 / 40 / 55 Funivia****B****Vector 30 / 40 / 55 Pendant Funivia**

	POWER KIT TYPOLOGY	POWER [W]	VECTOR 30/40/55 FUNIVIA		VECTOR 30/40/55 PENDANT FUNIVIA		
			APP	PUSH	APP	PUSH	
REST OF THE WORLD	RECESSED SUSPENSION	150	x	x	x	x	
		240	x	x	x	x	
		320	x	x	x	x	
	RECESSED CEILING	150	x	x	x	x	
		240	x	x	x	x	
		320	x	x	x	x	
	SMD	150	x	x	x	x	
		240	x	x	x	x	
	REMOTE	240	x	x	x	x	
		320	x	x	x	x	
	US/CA	RECESSED SUSPENSION	100	x		x	
			150		x		x
RECESSED CEILING		100	x		x		
		150		x		x	
SMD		100	x		x		
		240		x		x	
REMOTE		100	x		x		
		150		x		x	
WALL/SMD REMOTE		100	x		x		
		240		x		x	
		320		x		x	

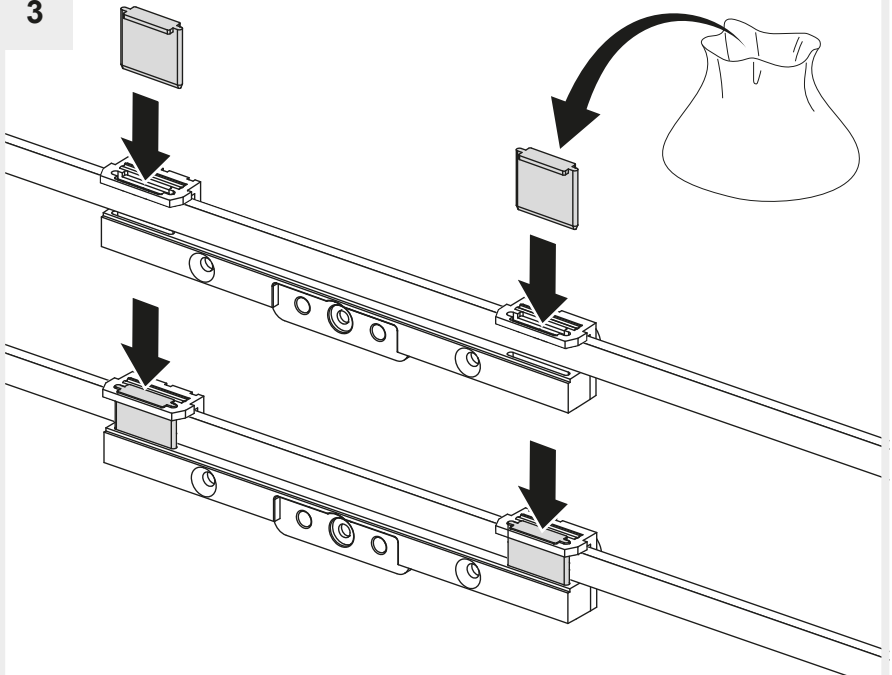
1



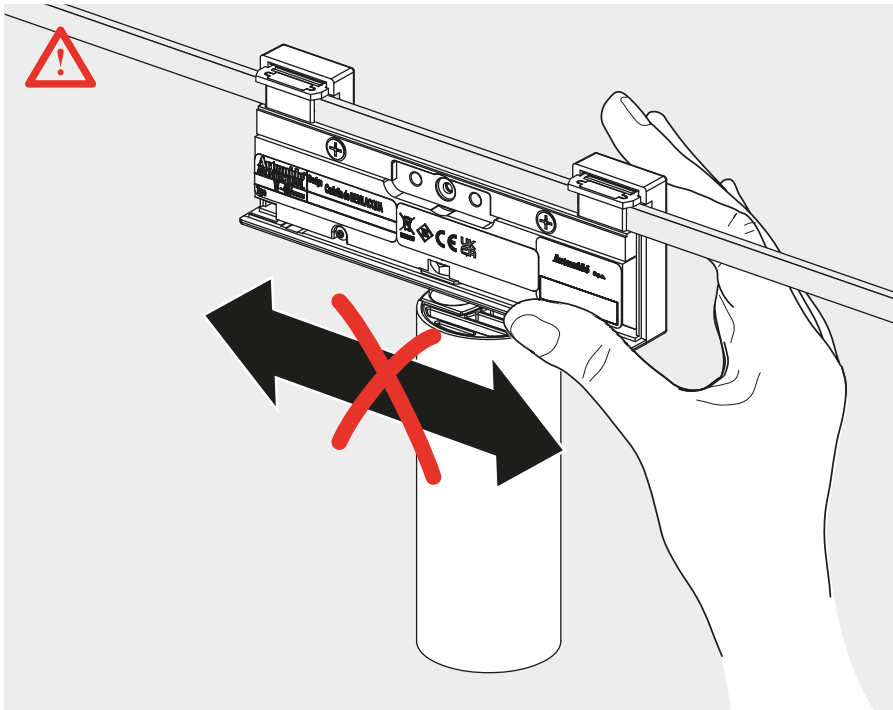
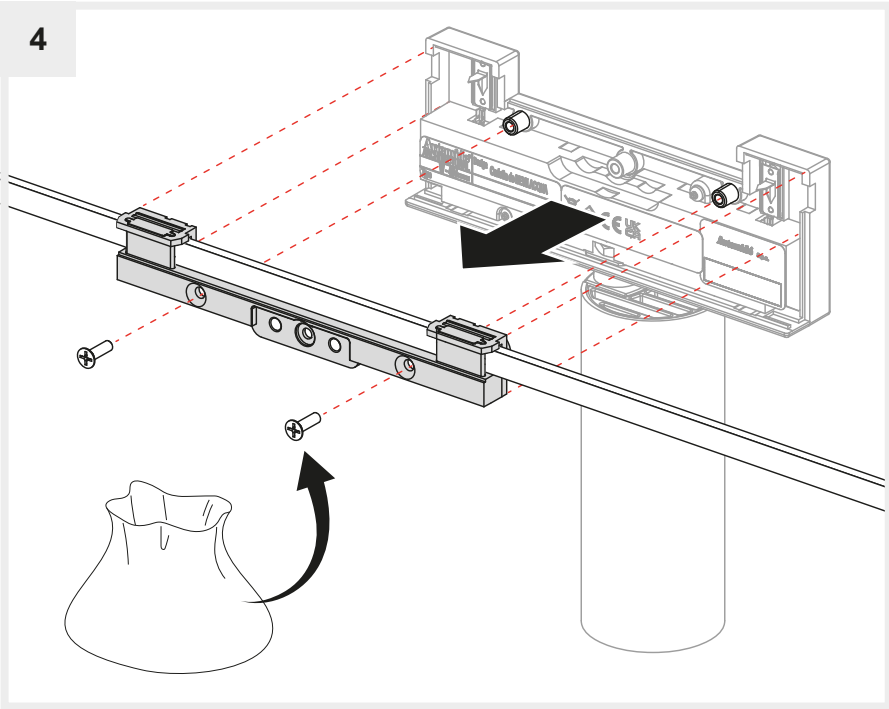
2



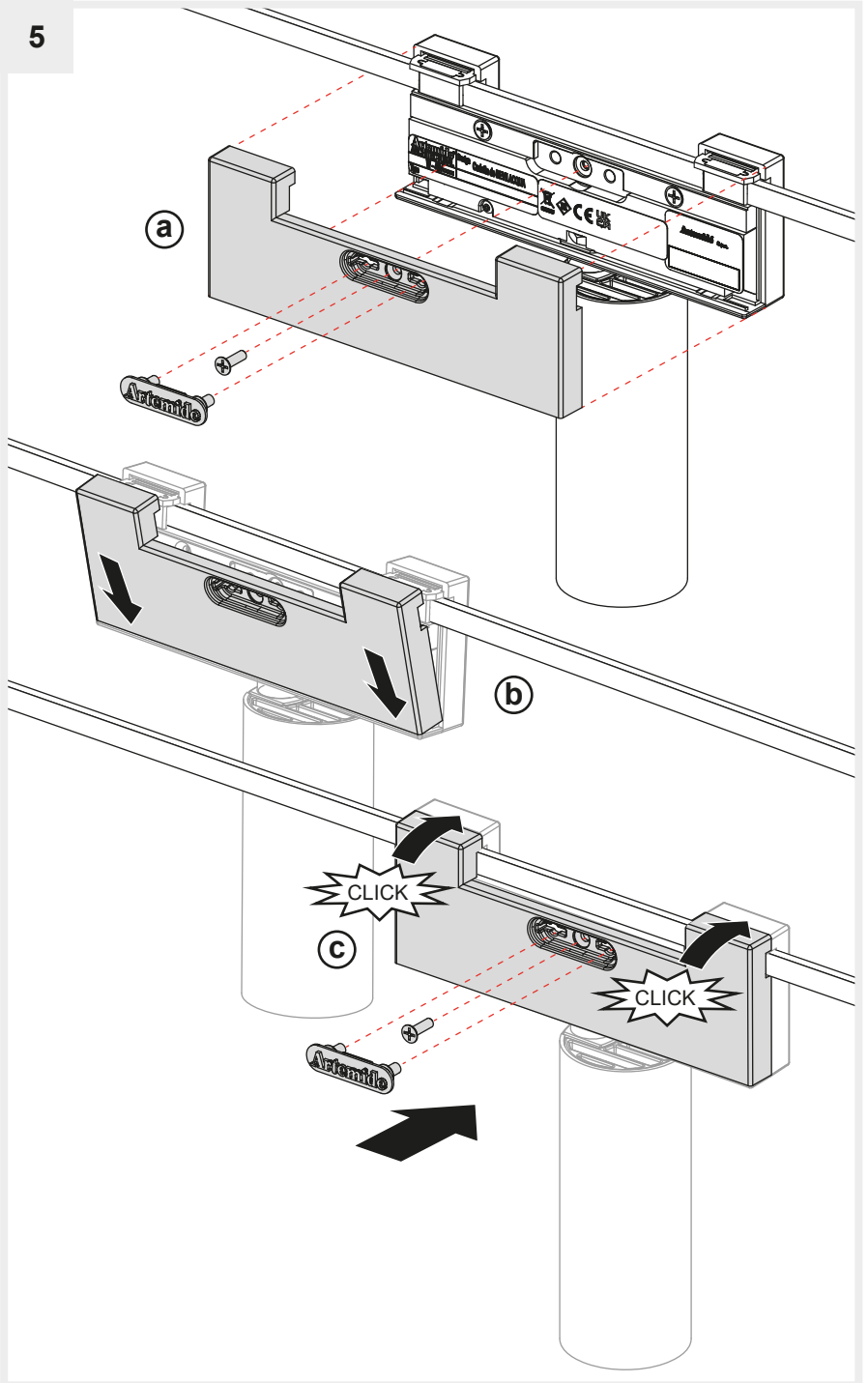
3



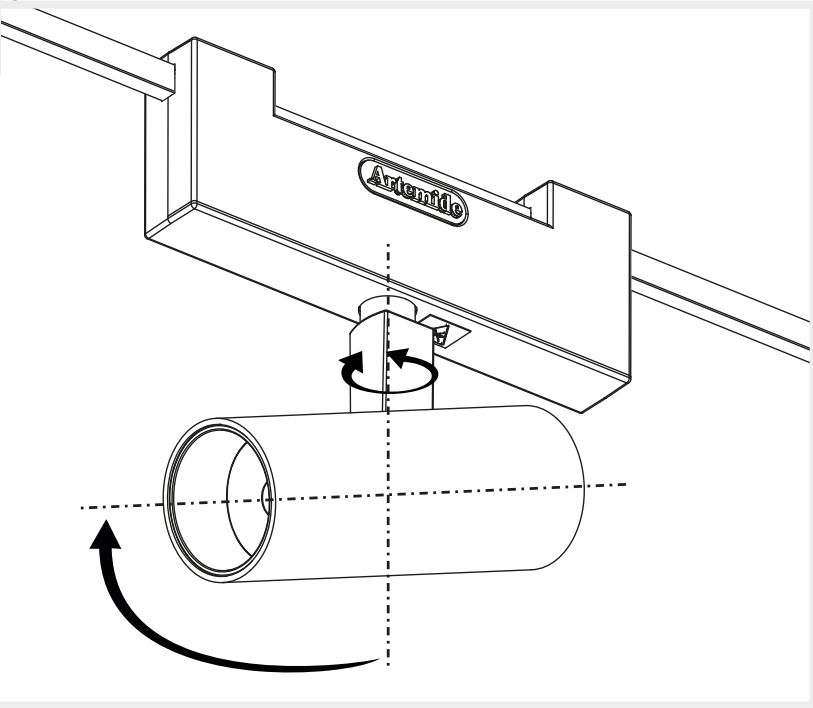
4



5

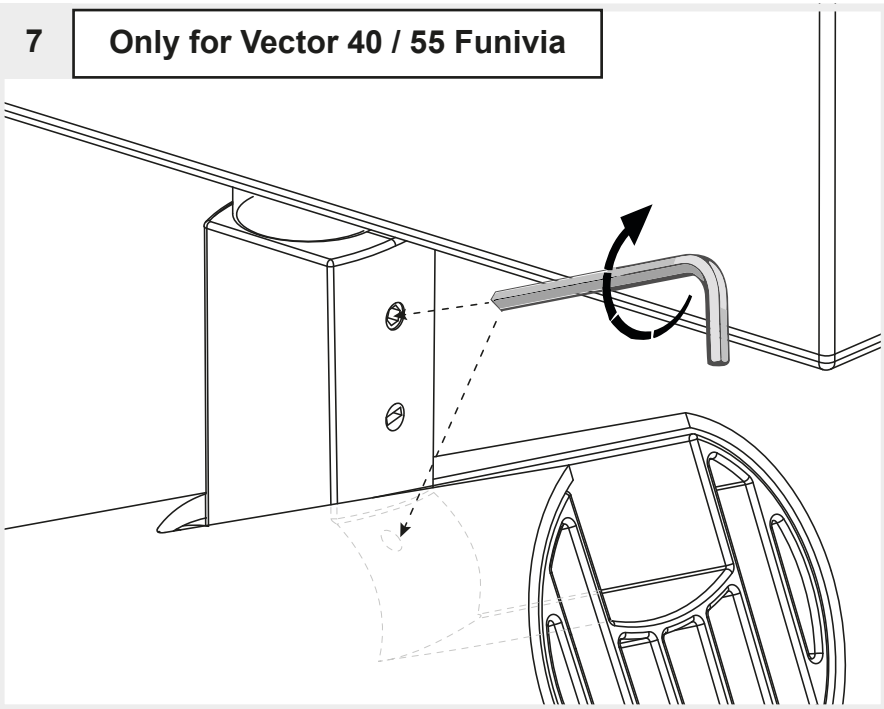


6



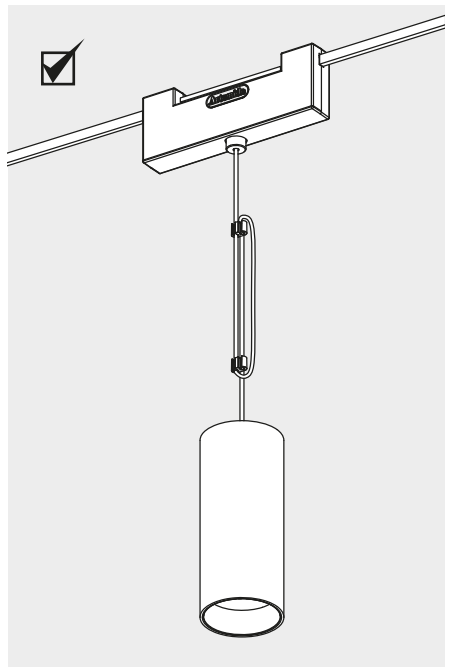
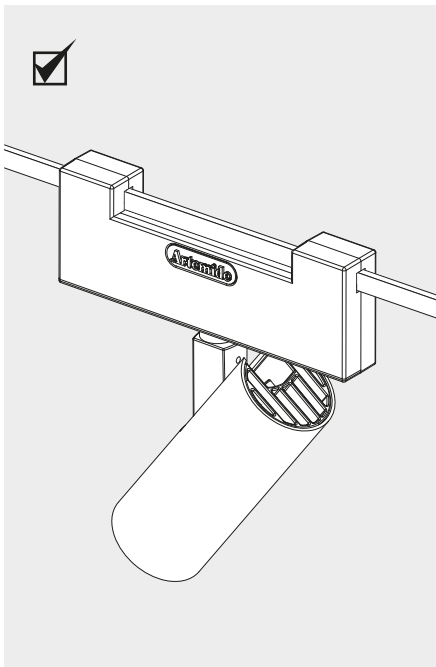
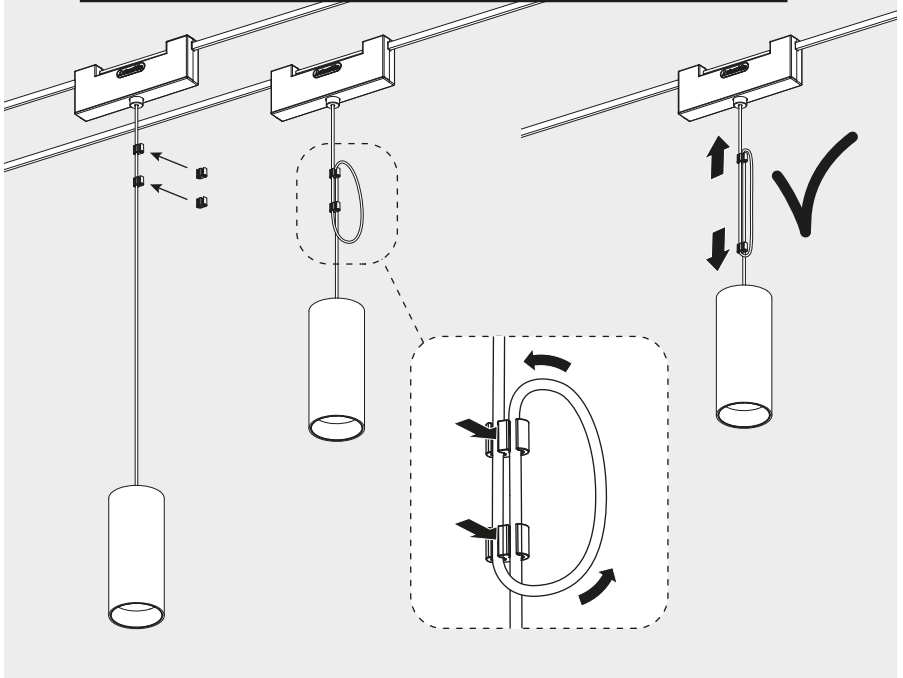
7

Only for Vector 40 / 55 Funivia



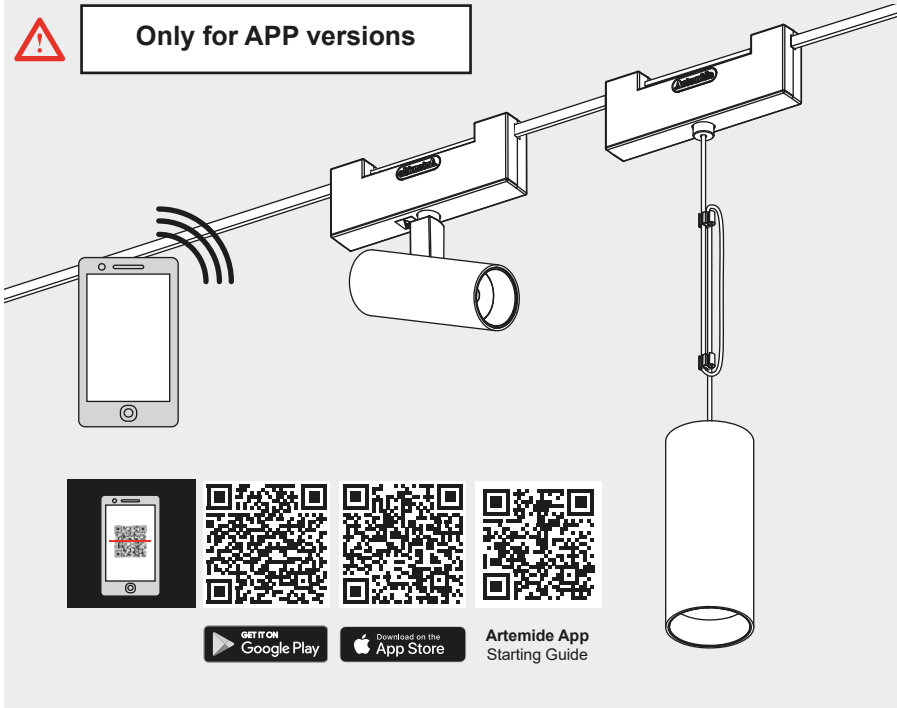
i

Only for Vector 30 / 40 / 55 Pendant Funivia

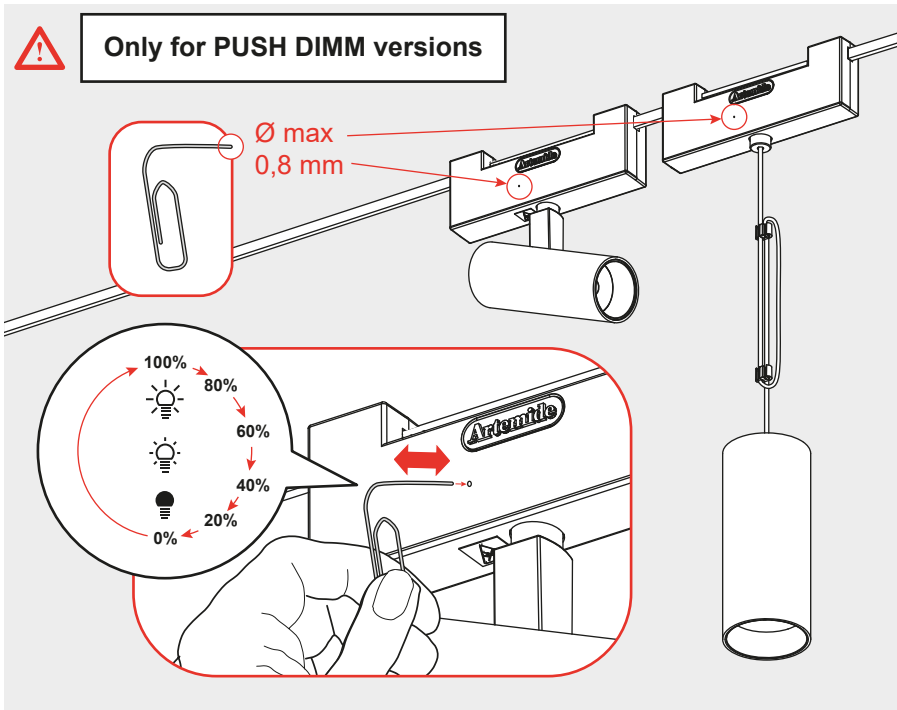


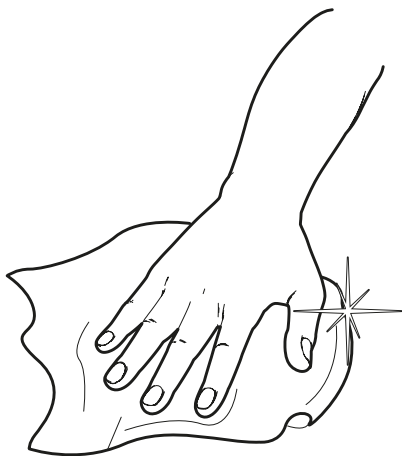


Only for APP versions



Only for PUSH DIMM versions





Artemide®



Artemide

via Bergamo, 18
20006 Pregnana M.se (MI)
ITALIA

tel. +39 02 935 181
fax +39 02 935 90 254
fax +39 02 935 90 496

www.artemide.com

VAT IT00846890150

Artemide Inc.

250 Karin Lane
Hicksville, NY 11801

tel. 631 694 9292
Toll Free 1-877-Art-9111
Fax 631 694 9275

www.artemide.net

Artemide Ltée/Ltd.

11105 rue Renaude Lapointe
Montréal, Québec H1J 2T4

Tel. 514 323 6537
Toll Free 888 777 2783
Fax 514 323 8864

www.artemide.net

cod. Y513001518C