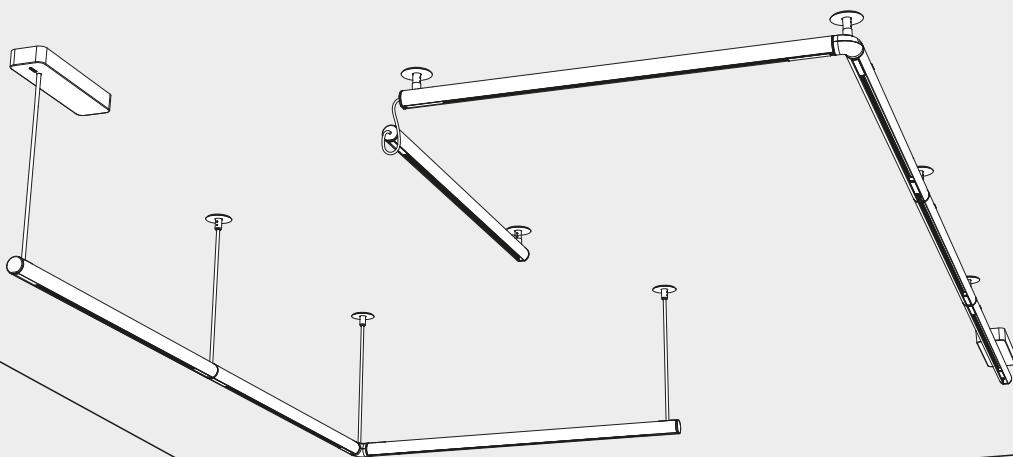


GOPLE TRACK SYSTEM SUSPENSION / CEILING WITH SMD POWER KIT

design
BIG

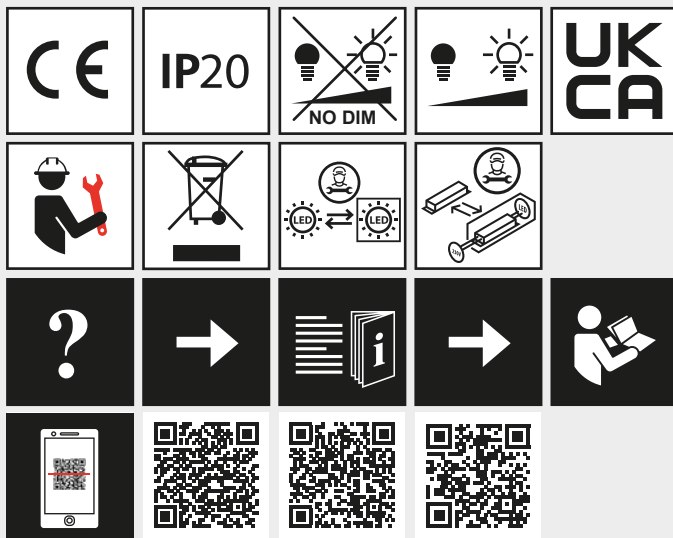
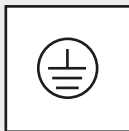




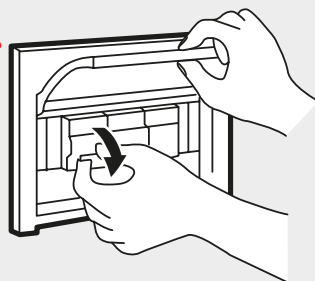
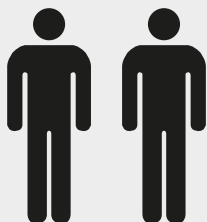
i

TRACK

POWER KIT



Artemide App
Quick Starting Guide





IT ATTENZIONE

- Tutte le operazioni devono essere eseguite da personale specializzato, è responsabilità dell'utente assicurare tutte le compatibilità tra il sistema di binari e gli apparecchi.
- Rischio di scossa elettrica - collegare solo all'alimentazione SELV 48V DC con segnale di controllo SELV - non collegare mai alla tensione di rete.
- Il sistema di binari di classe III non è compatibile con il sistema di binari di classe I e di classe III di altri produttori.
- Il carico meccanico deve essere inteso come il carico completo dell'intero sistema.

EN WARNING

- All operations must be done by specialized personnel, it is user's responsibility to ensure all compatibilities between track system and luminaires.
- Risk of electric shock – connect only to 48V DC SELV supply with SELV control signal only – never connects to mains voltage.
- Class III track system is not compatible with class I track system and class III track system from other manufacturer.
- Mechanical loading shall be intended as the complete loading of the whole system.

FR AVERTISSEMENT

- Toutes les opérations doivent être effectuées par du personnel spécialisé, il est de la responsabilité de l'utilisateur de s'assurer de toutes les compatibilités entre le système de rails et les luminaires.
- Risque de choc électrique - connecter uniquement à l'alimentation SELV 48V DC avec le signal de contrôle SELV uniquement - ne jamais connecter à la tension du secteur.
- Le système de rails de classe III n'est pas compatible avec le système de rails de classe I et le système de rails de classe III d'un autre fabricant.
- Le chargement mécanique doit être compris comme le chargement complet de l'ensemble du système.

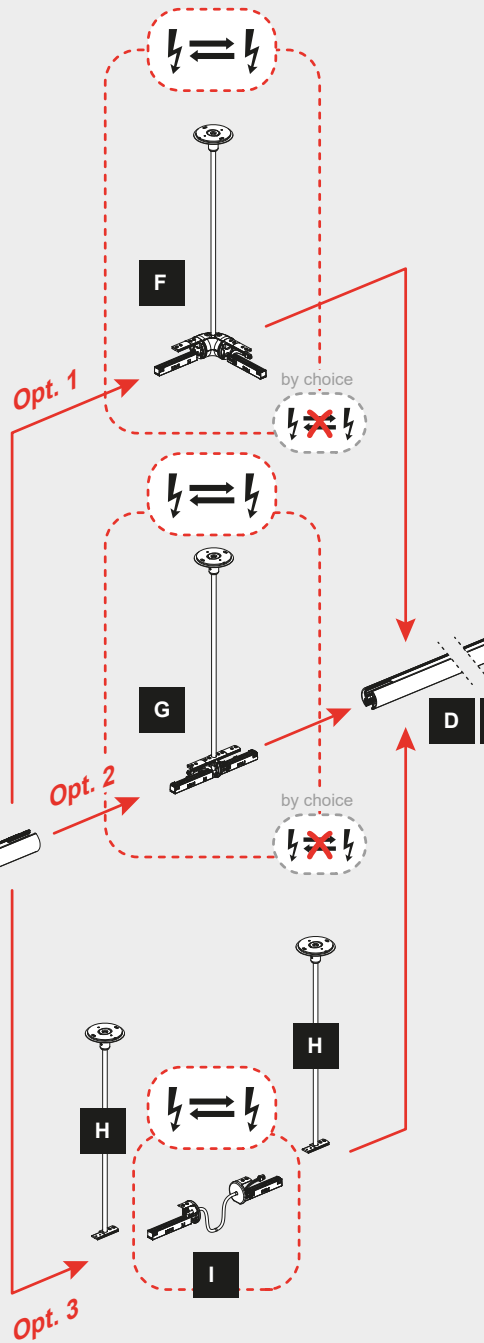
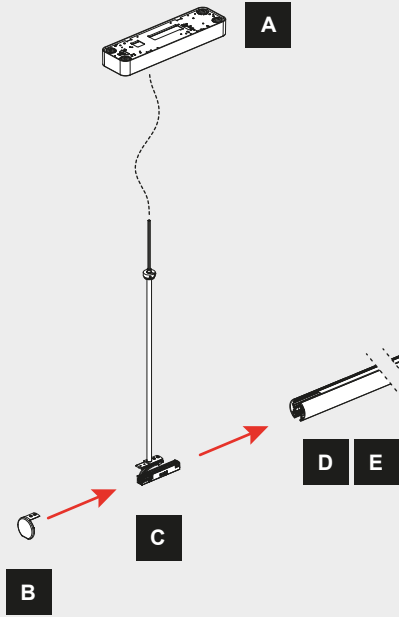
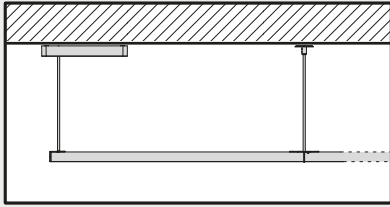
ES ADVERTENCIA

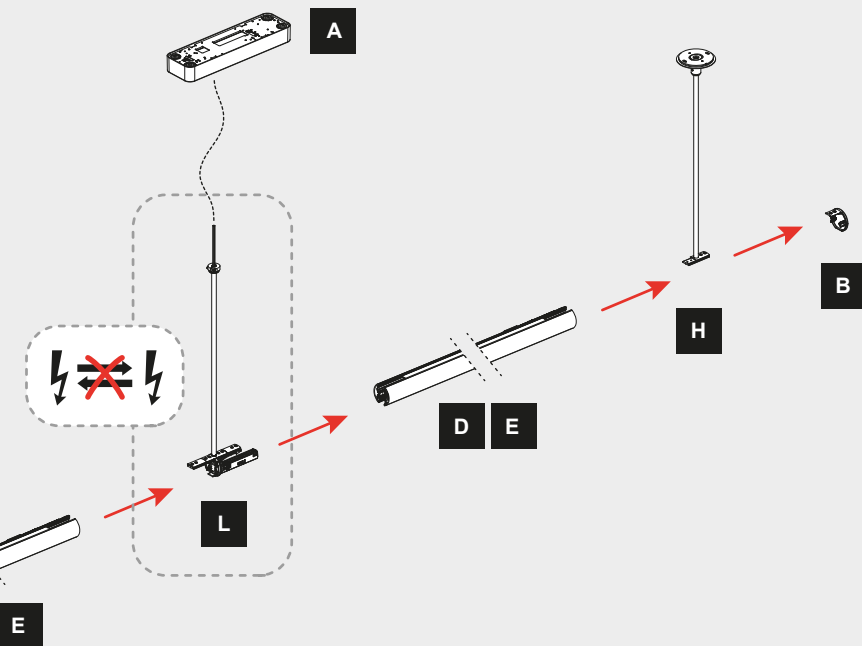
- Todas las operaciones deben ser realizadas por personal especializado, es responsabilidad del usuario asegurar todas las compatibilidades entre el sistema de carriles y las luminarias.
- Riesgo de descarga eléctrica - conecte sólo a la alimentación SELV de 48V DC con señal de control SELV - nunca conecte a la tensión de red.
- El sistema de carriles de clase III no es compatible con el sistema de carriles de clase I ni con el sistema de carriles de clase III de otro fabricante.
- La carga mecánica debe entenderse como la carga completa de todo el sistema.

DEU WARNUNG

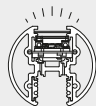
- Alle Arbeiten müssen von Fachpersonal durchgeführt werden, es liegt in der Verantwortung des Anwenders, alle Kompatibilitäten zwischen Schienensystem und Leuchten sicherzustellen.
- Gefahr eines elektrischen Schlages - nur an 48V DC SELV-Versorgung mit SELV-Steuersignal anschließen - niemals an Netzspannung anschließen.
- Das Schienensystem der Klasse III ist nicht kompatibel mit dem Schienensystem der Klasse I und dem Schienensystem der Klasse III von anderen Herstellern.
- Die mechanische Belastung ist als vollständige Belastung des gesamten Systems zu verstehen.

i GOPLE TRACK SYSTEM
SUSPENSION
WITH SMD POWER KIT





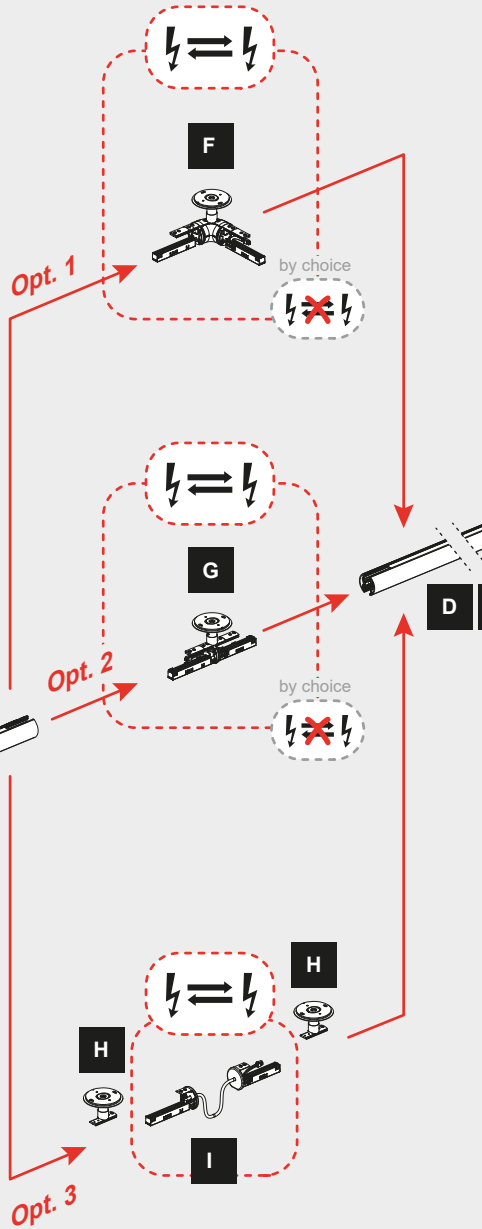
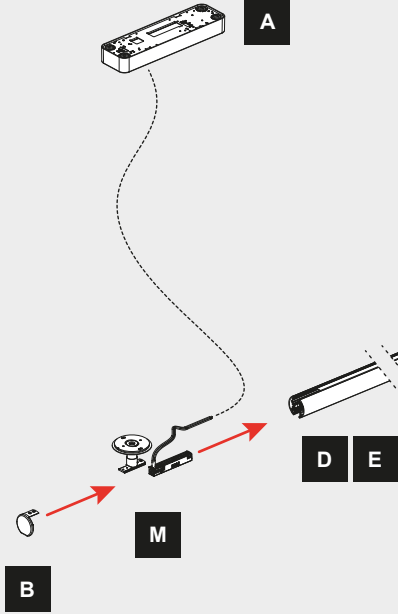
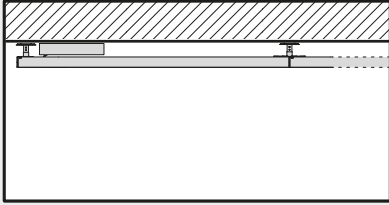
D { L = 1180mm / 1772mm

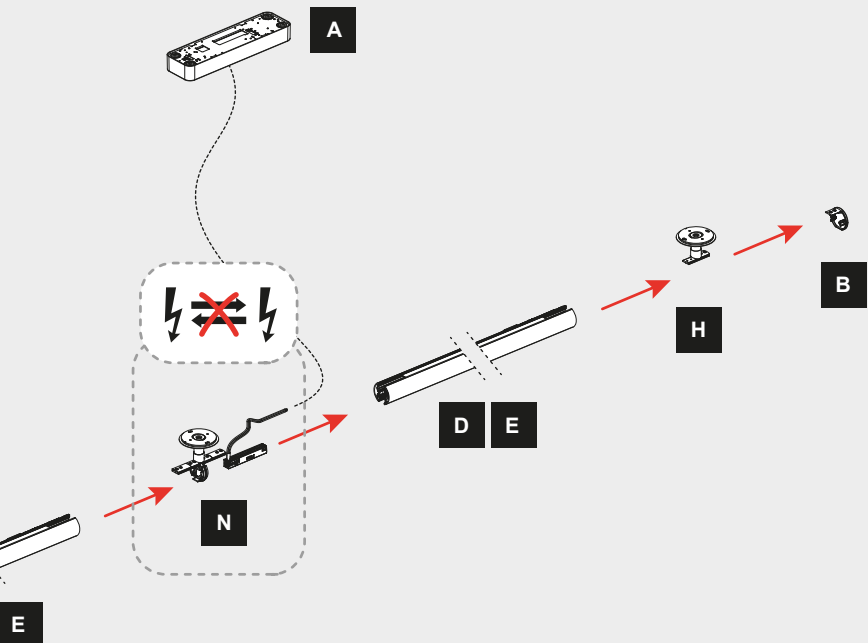


E { L = 1180mm / 1772mm

A	Fig. 2	B	Fig. 21	C	Fig. 14	D	Fig. 15
E	Fig. 15	F	Fig. 22	G	Fig. 51	H	Fig. 57
I	Fig. 59	L	Fig. 63				

i GOPLE TRACK SYSTEM
CEILING
WITH SMD POWER KIT





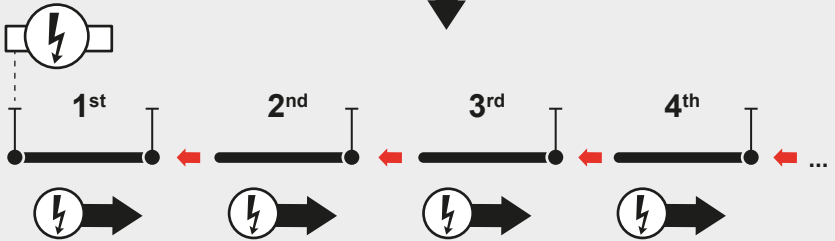
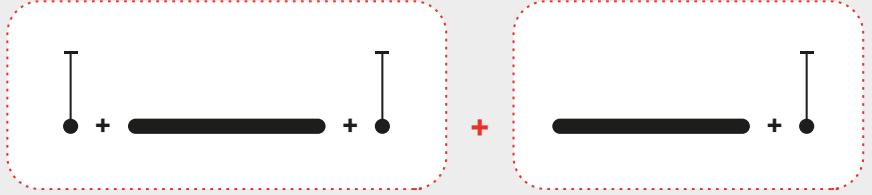
D { L = 1180mm / 1772mm

A	Fig. 2	B	Fig. 21	M	Fig. 69	D	Fig. 15
F	Fig. 22	G	Fig. 51	H	Fig. 57	I	Fig. 59
N	Fig. 84						

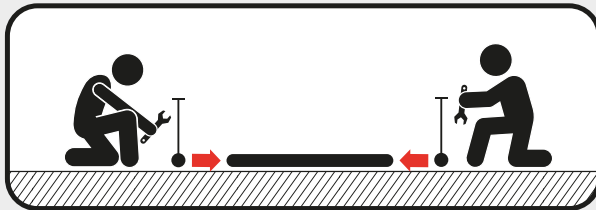


1st

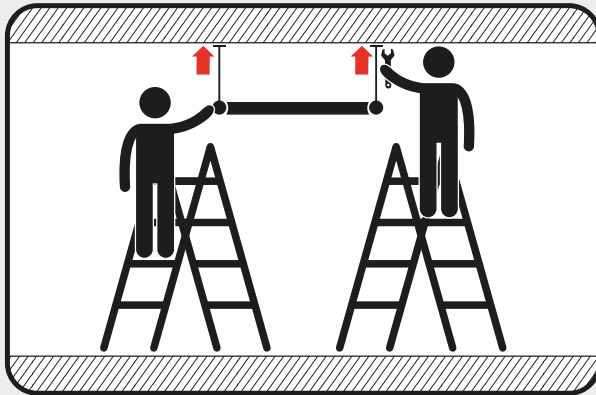
2nd / 3rd / ... / last

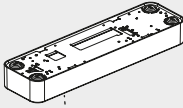


①

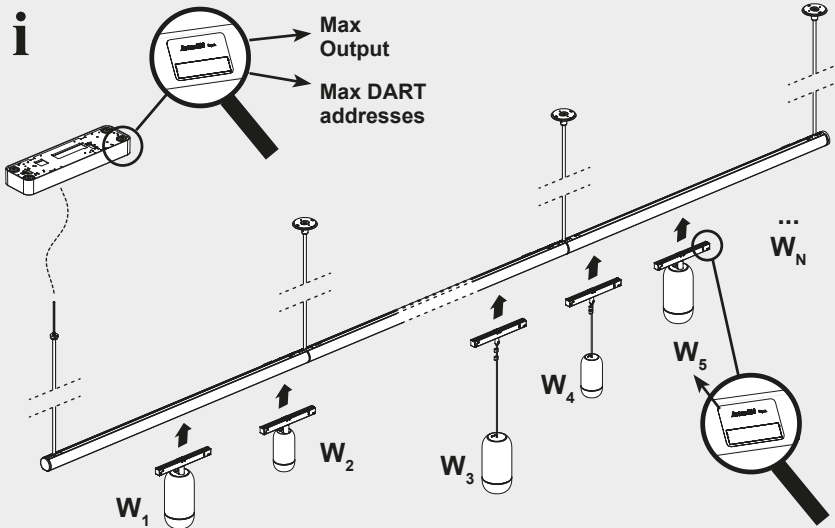


②



i

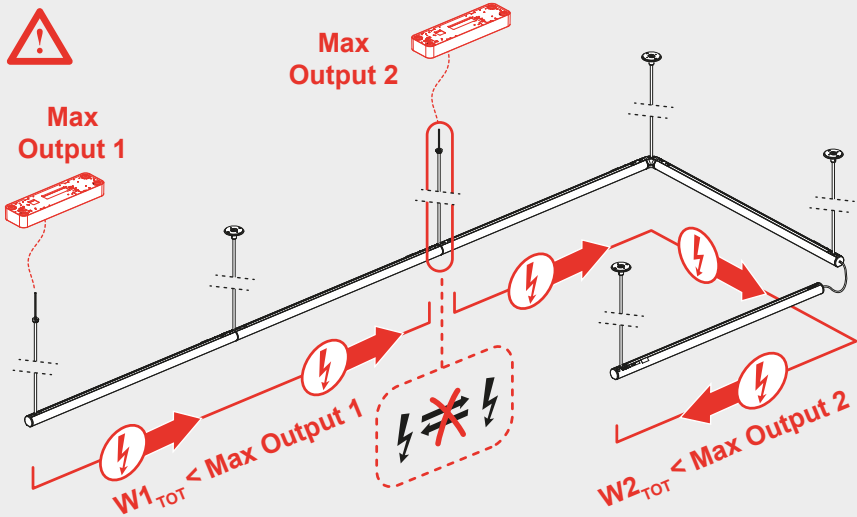
Output max = Max admitted power [W]	Inrush current (typ @230VAC) [A]	t_{width} measured at 50% I _{peak} [msec]	Number of power unit under same MCB			
			B16A	B25A	C16A	C25A
270	70	1011	1	1	2	2
210	75	570	2	3	4	5
125	65	550	3	4	6	7

i

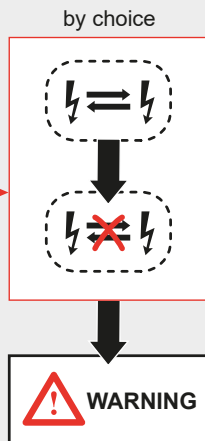
$$W_1 + W_2 + W_3 + W_4 + W_5 + \dots + W_N \leq \text{Max Output}$$

$$N < \text{Max DART addresses}$$

$$\text{Max Weight} = 8 \text{ kg/m}$$

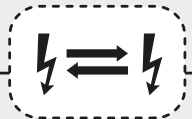
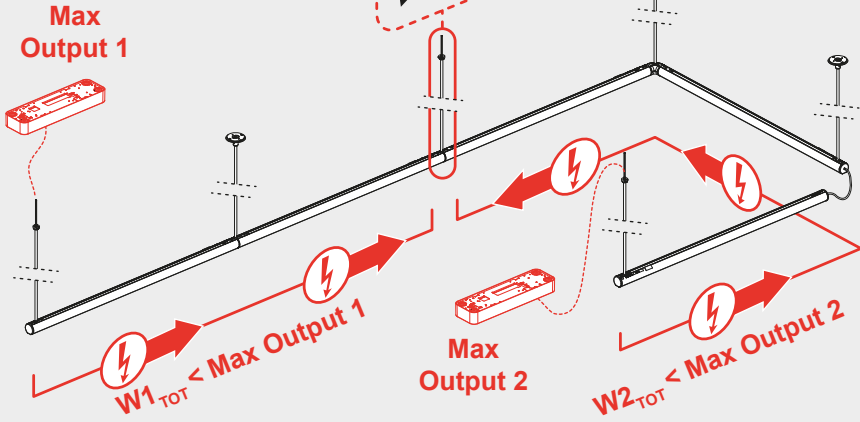


	<p>L</p> <p>CB209XX</p>	<p>F</p> <p>CB400XX</p>
	<p>N</p> <p>CB211XX</p>	<p>G</p> <p>CB208XX</p>
		<p>I</p> <p>CB207XX</p>

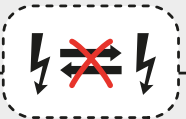
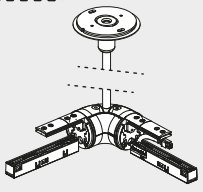




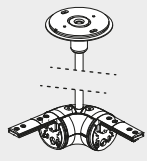
WARNING



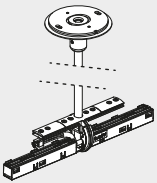
F



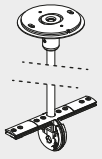
F



G

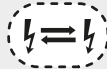


G

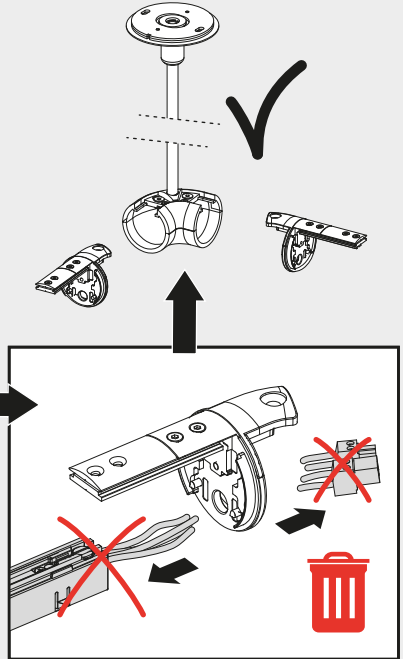
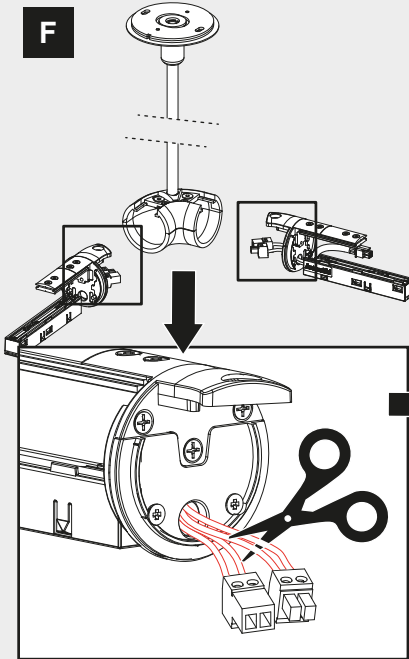




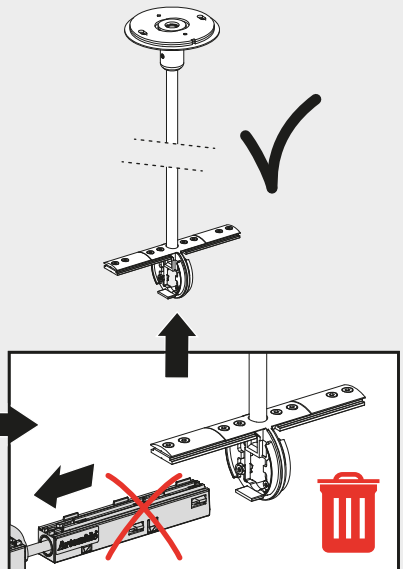
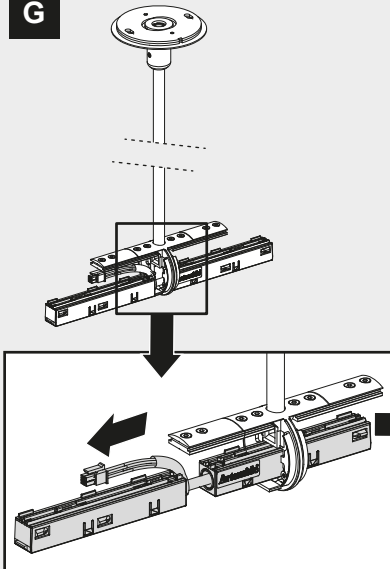
WARNING



F

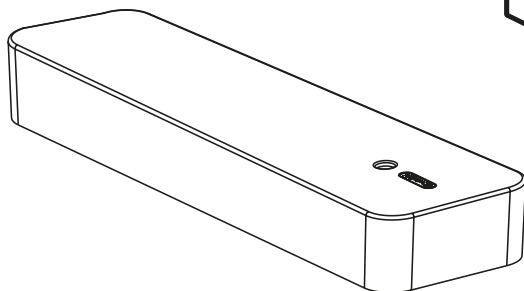
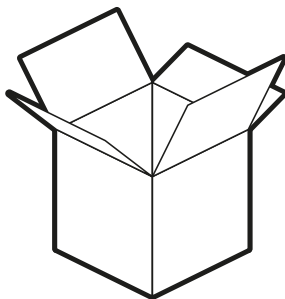
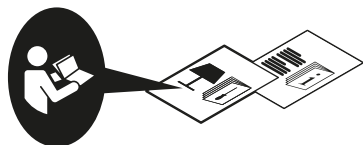


G

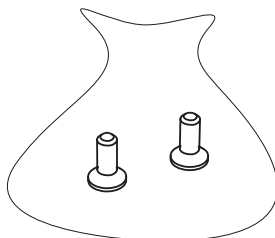
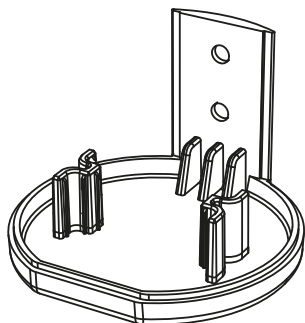
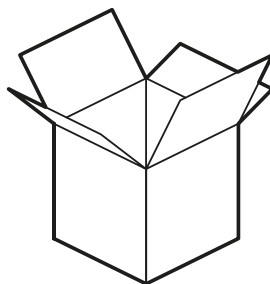
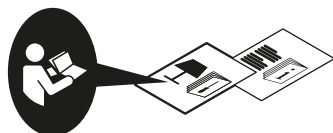




A

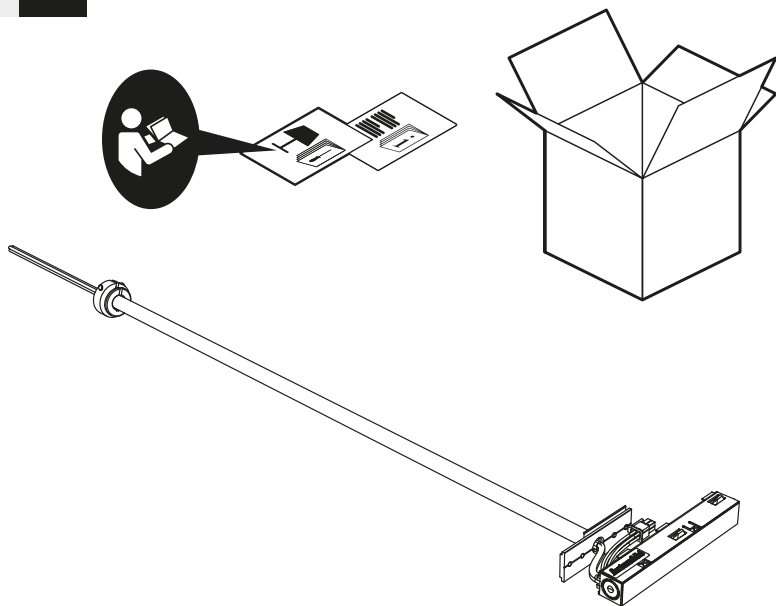


B

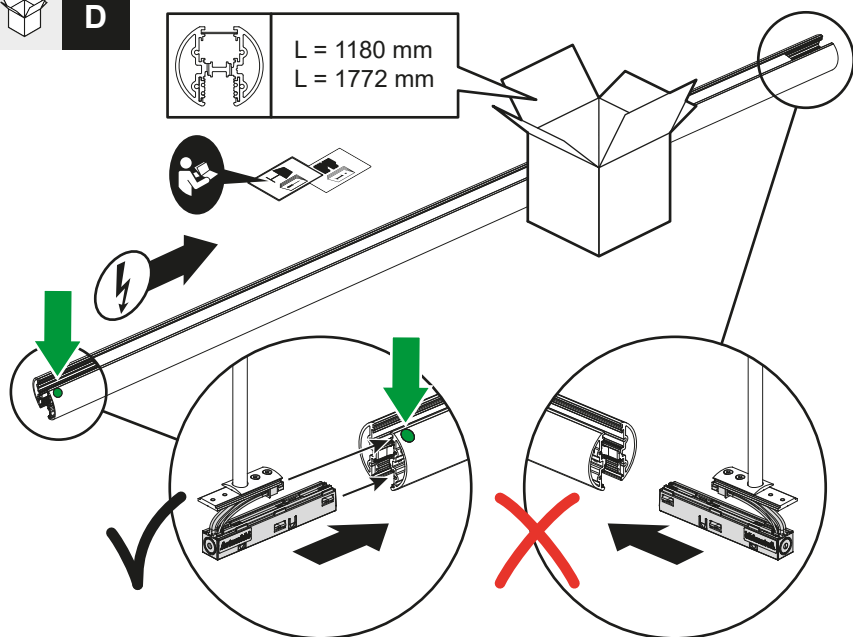




C

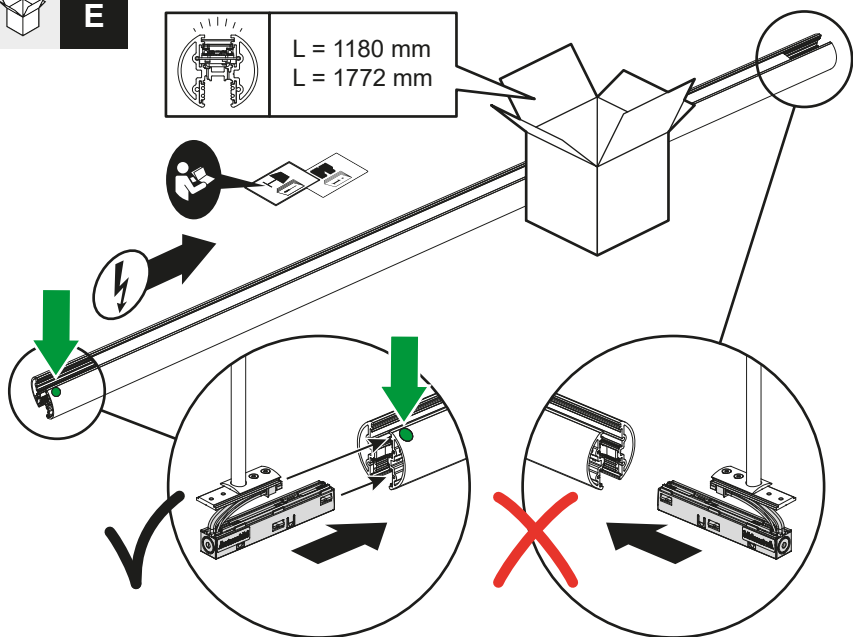
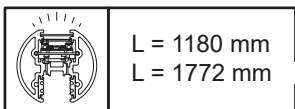


D

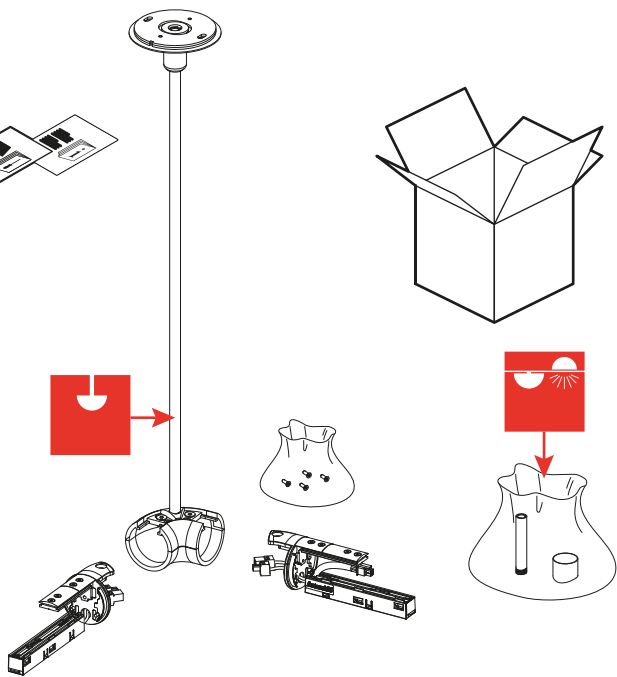




E



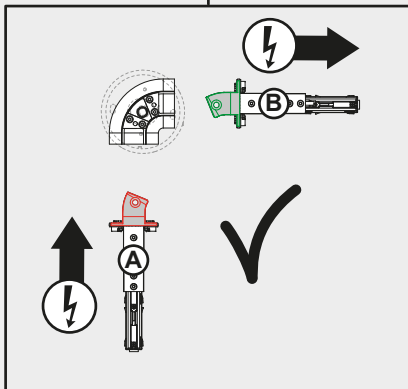
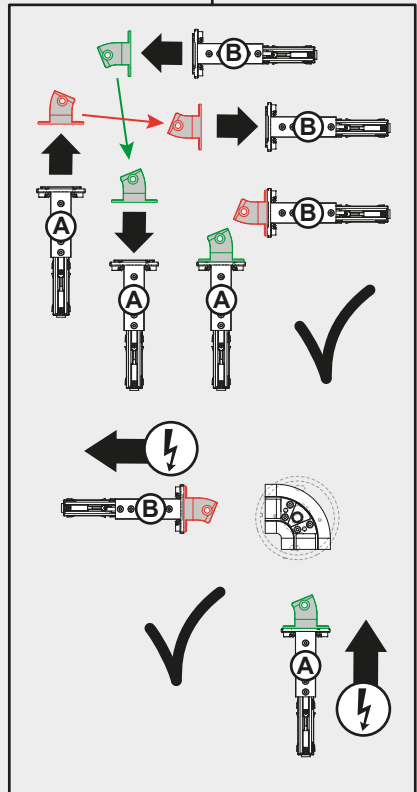
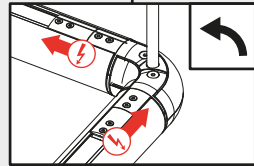
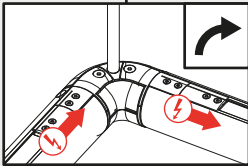
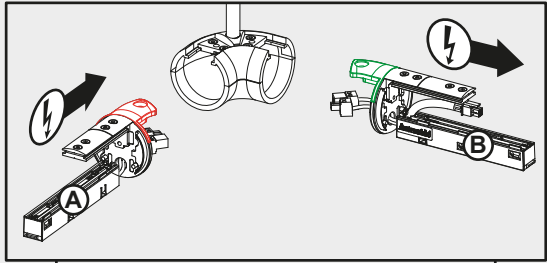
F



0



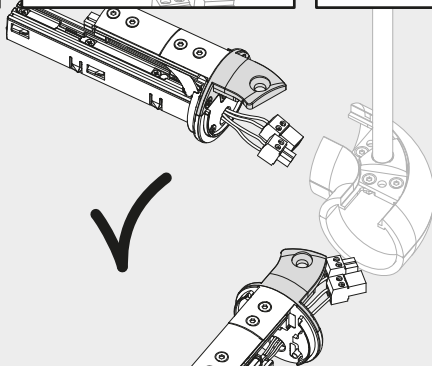
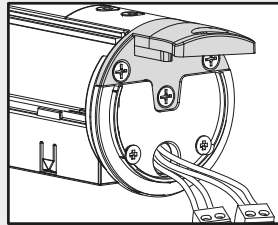
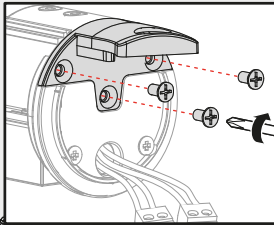
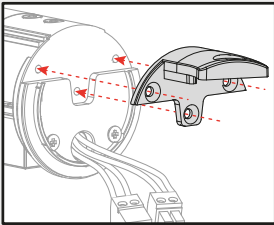
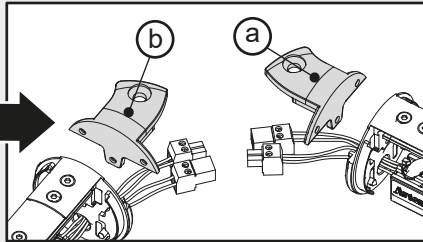
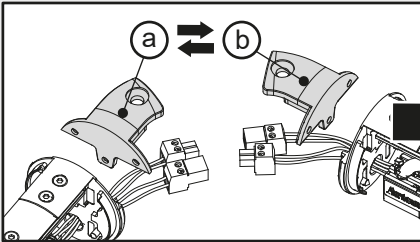
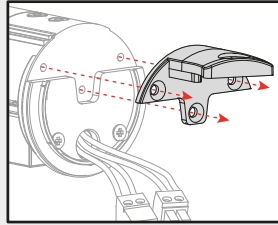
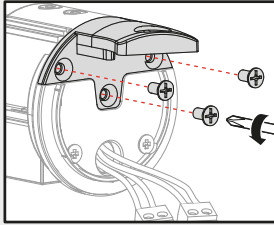
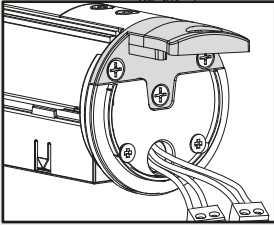
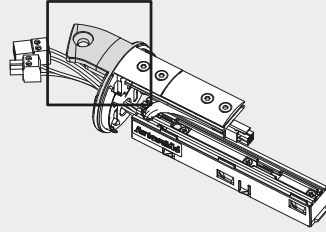
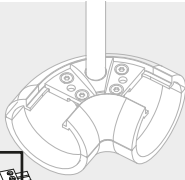
F



0

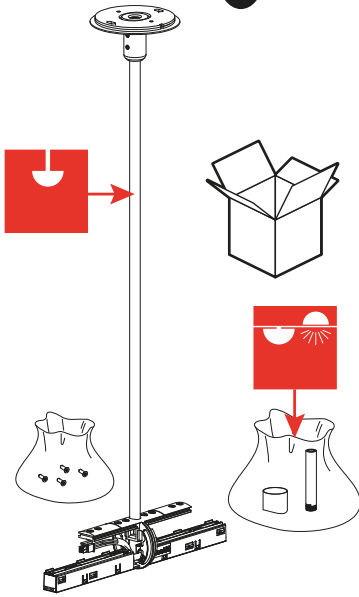


F

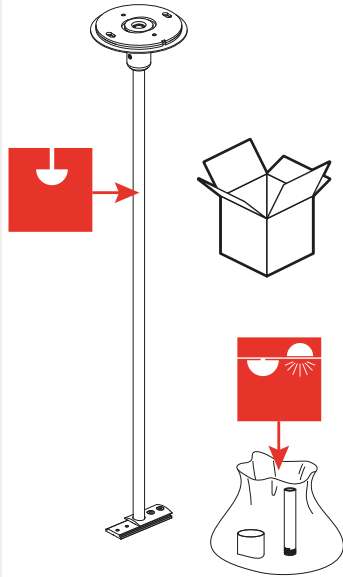




G



H



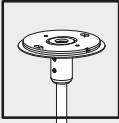
1



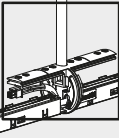
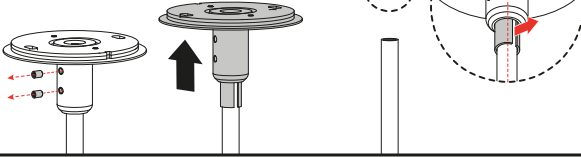
F

G

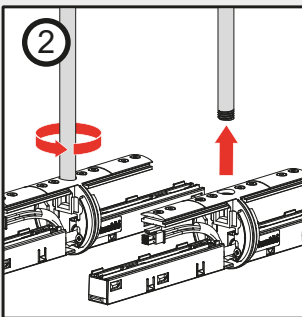
H



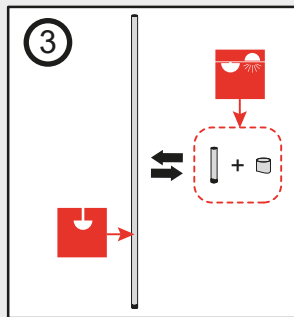
1



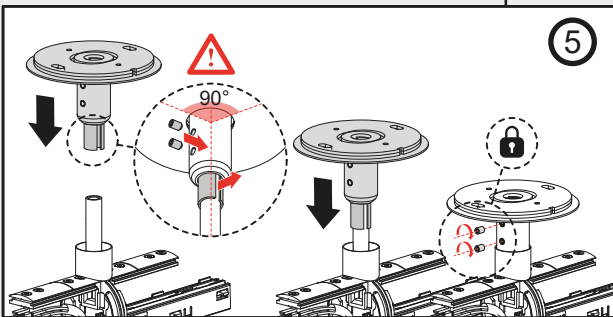
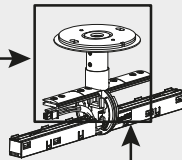
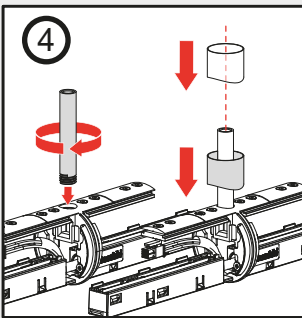
2



3



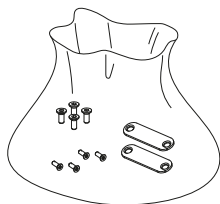
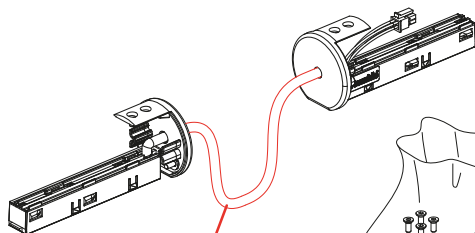
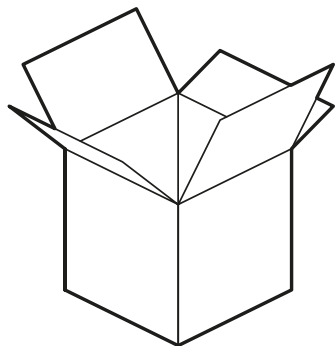
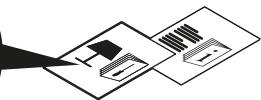
4



5



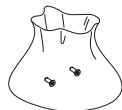
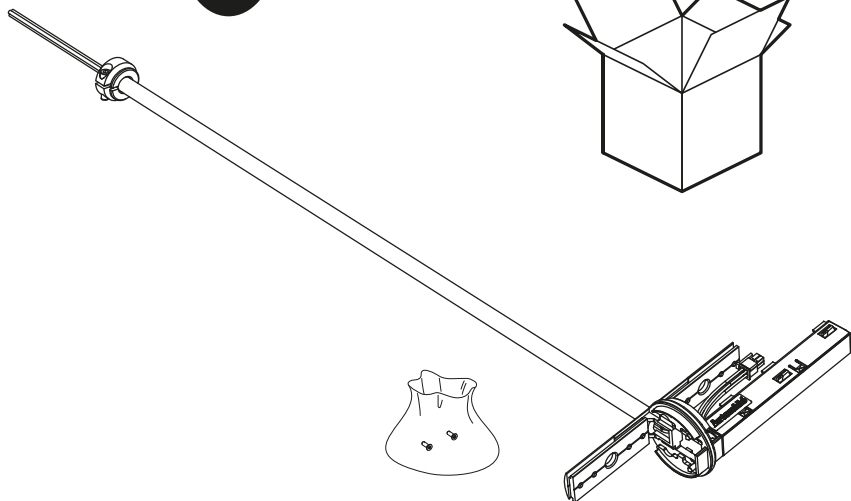
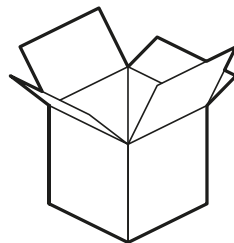
I



$L_{\max} = 35\text{cm}$

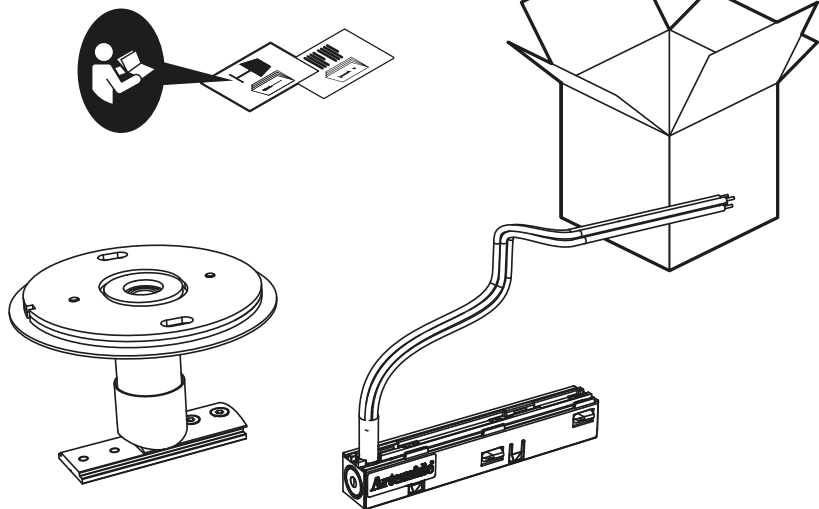


L

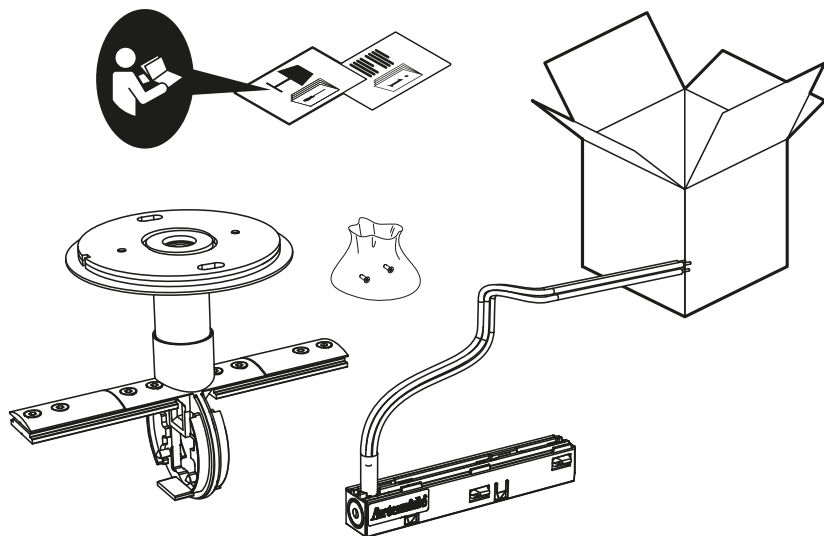


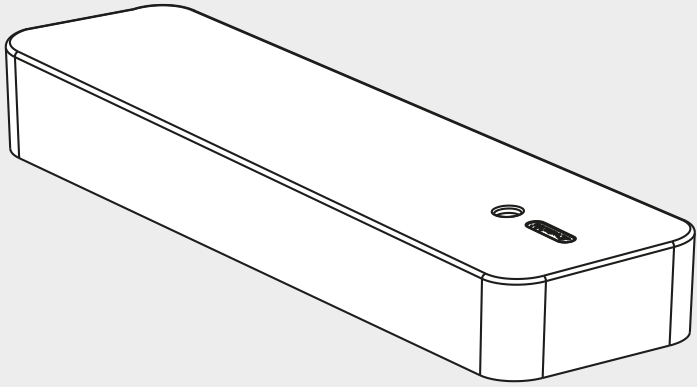


M

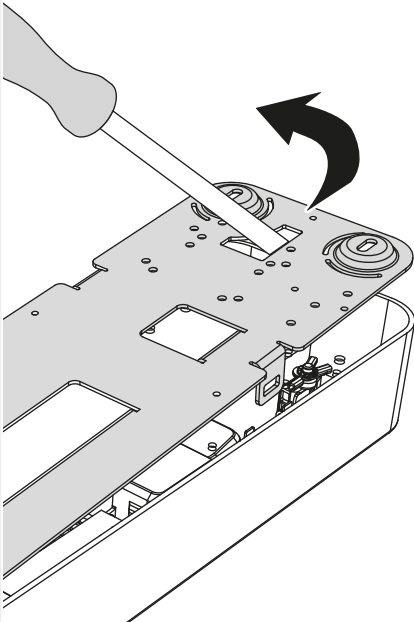


N

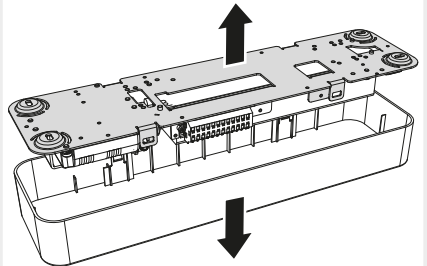




2



3



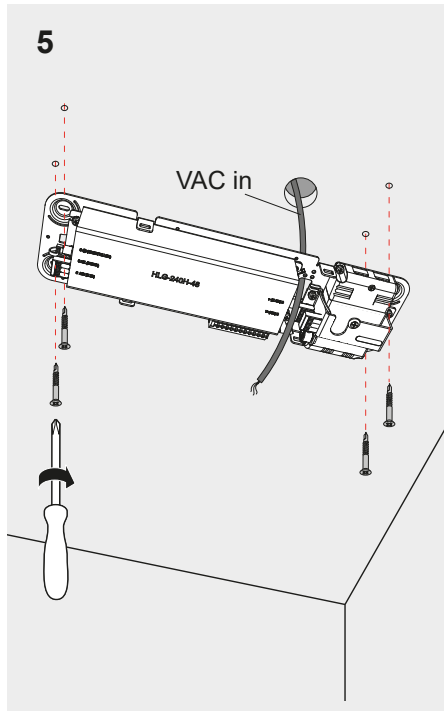
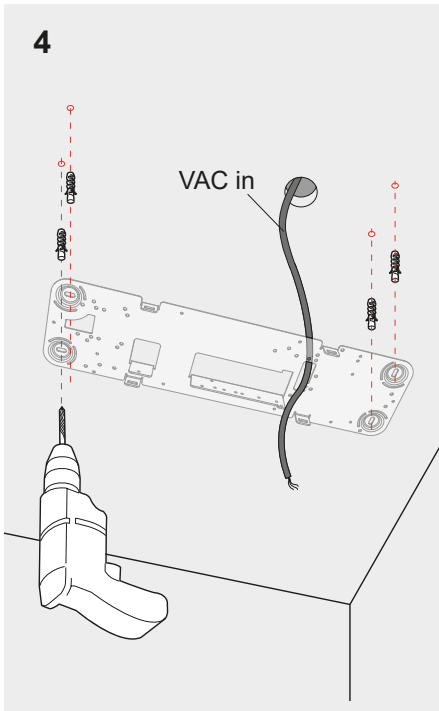
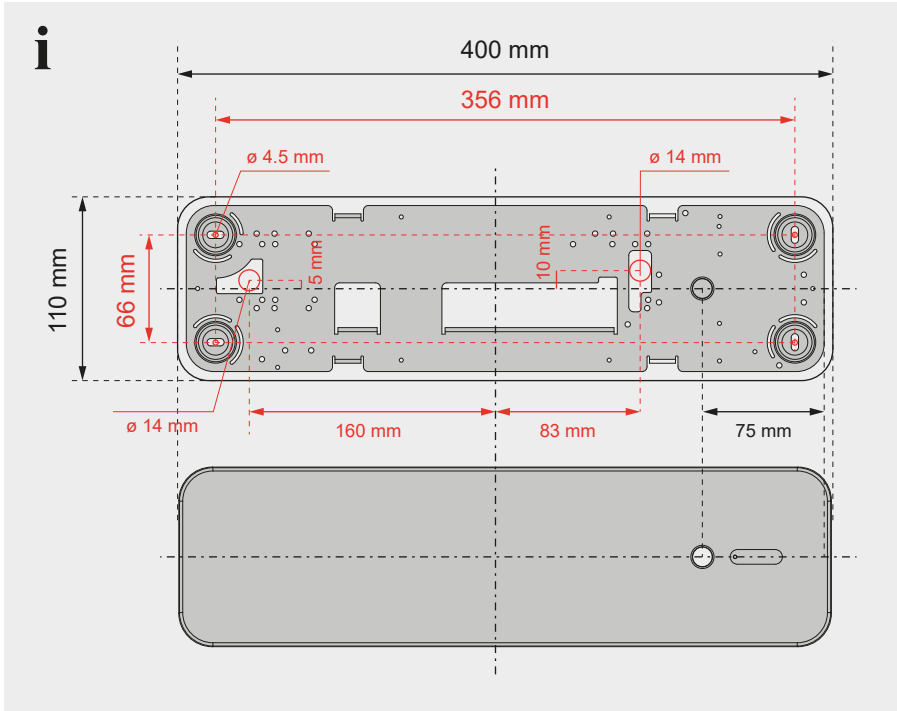
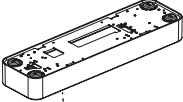
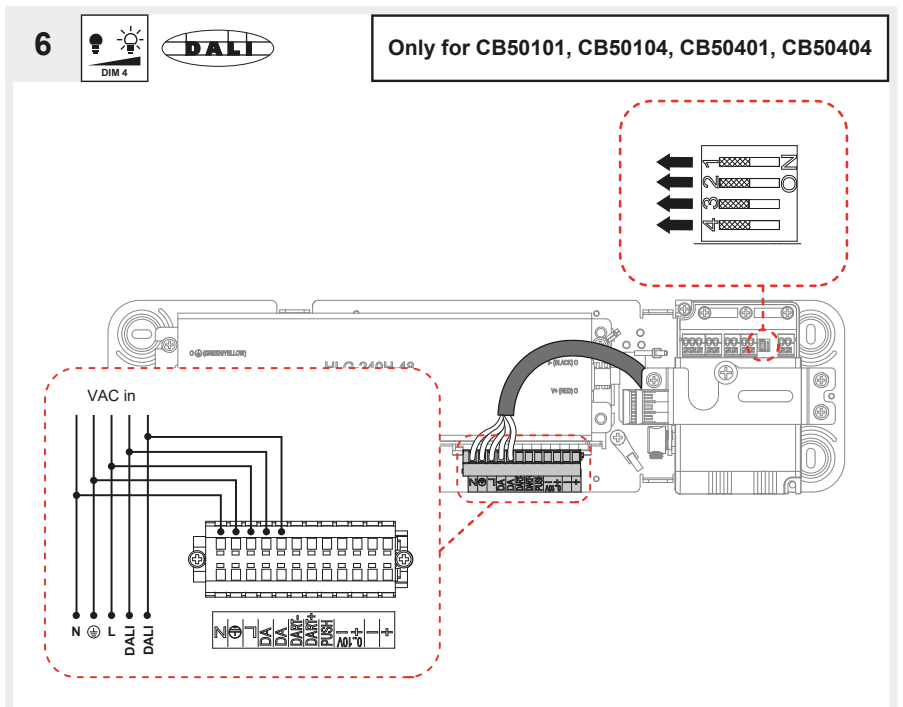


Fig. 6		DALI	 Only for CB50101, CB50104, CB50401, CB50404
Fig. 7		0-10V	
Fig. 8		Potentiometer	
Fig. 9		1-10V	
Fig. 10		Push	
Fig. 11		LV Push	
Fig. 12		On/Off	Only for CB50001, CB50004, CB50301, CB50304
Fig. 13		APP	Only for CB50101APP, CB50104APP, CB50401APP, CB50404APP

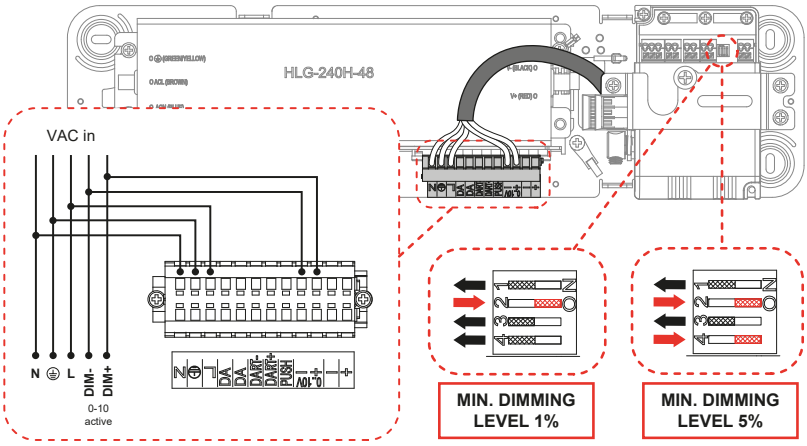


7



0-10V

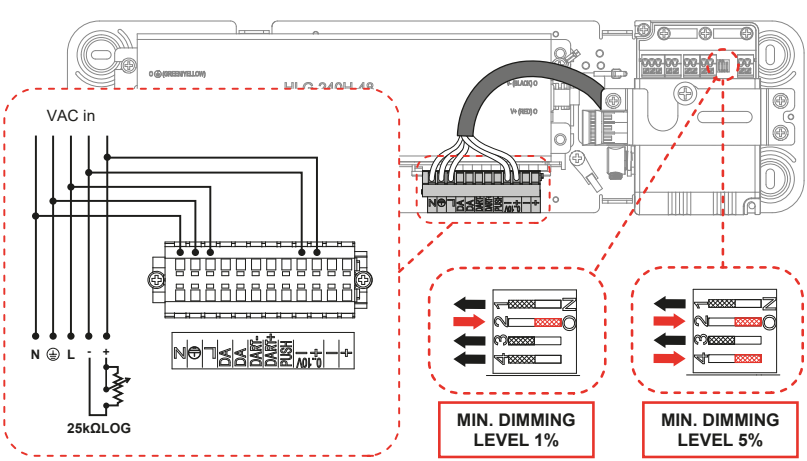
Only for CB50101, CB50104, CB50401, CB50404



8



Only for CB50101, CB50104, CB50401, CB50404

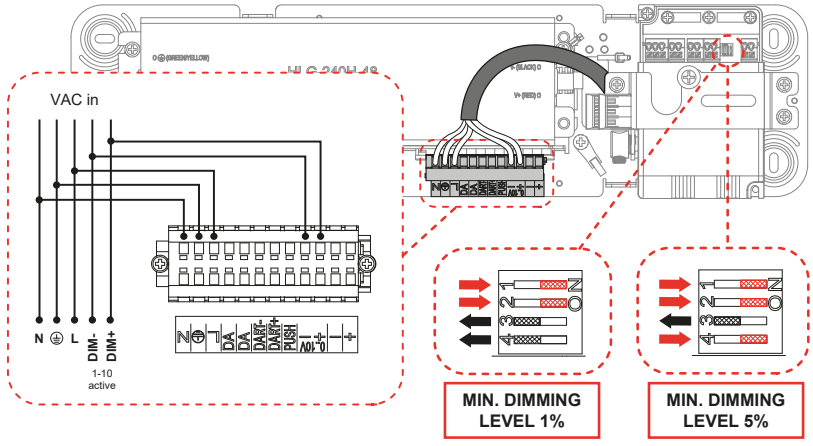


9



1-10V

Only for CB50101, CB50104, CB50401, CB50404

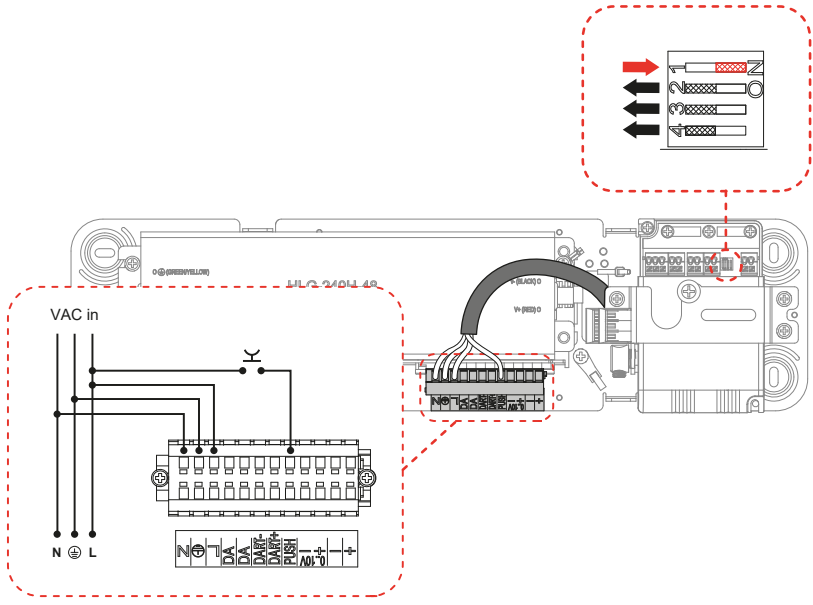


10



Push

Only for CB50101, CB50104, CB50401, CB50404

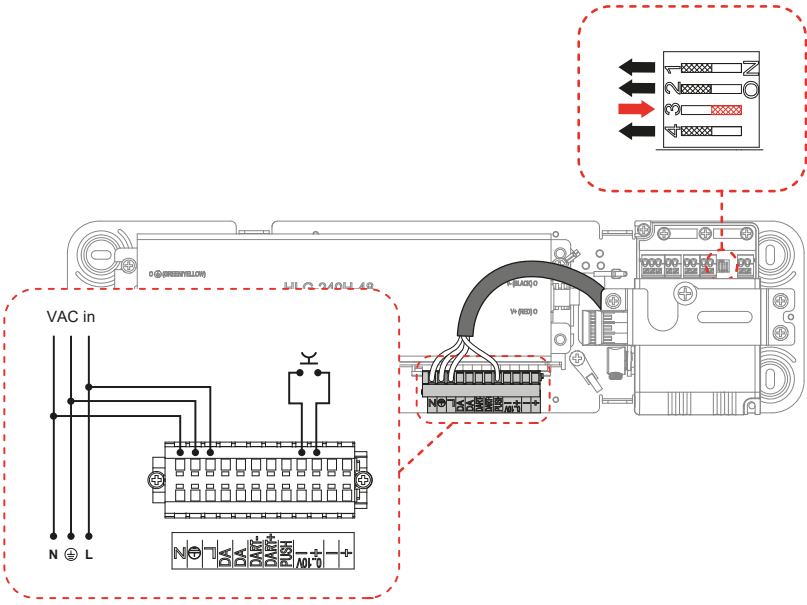


11



LV Push

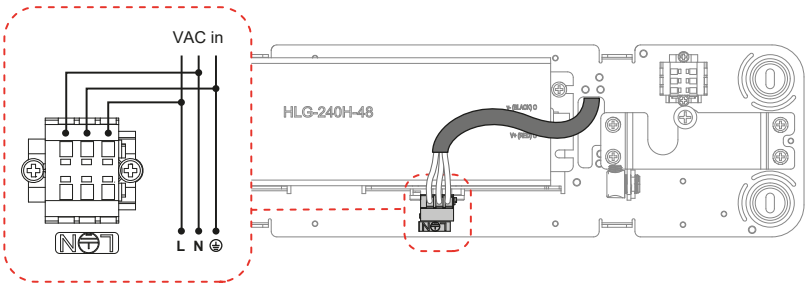
Only for CB50101, CB50104, CB50401, CB50404



12



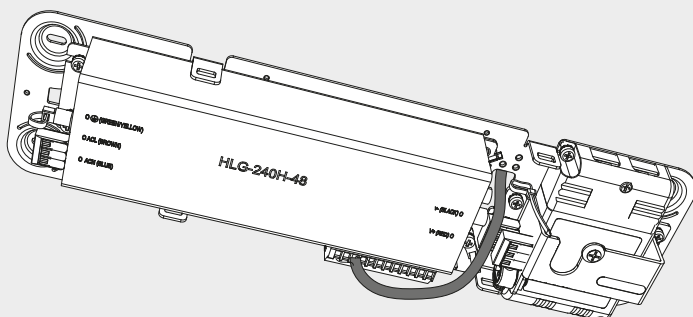
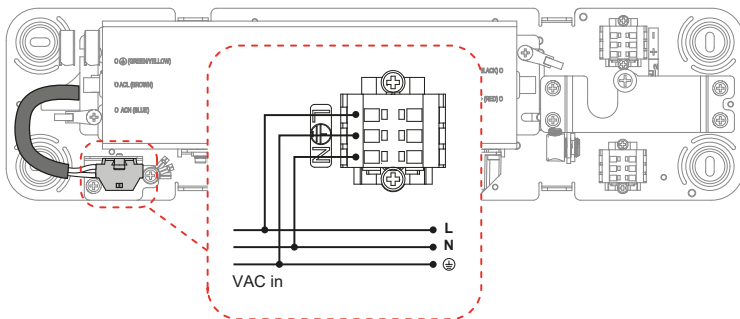
Only for CB50001, CB50004, CB50301, CB50304

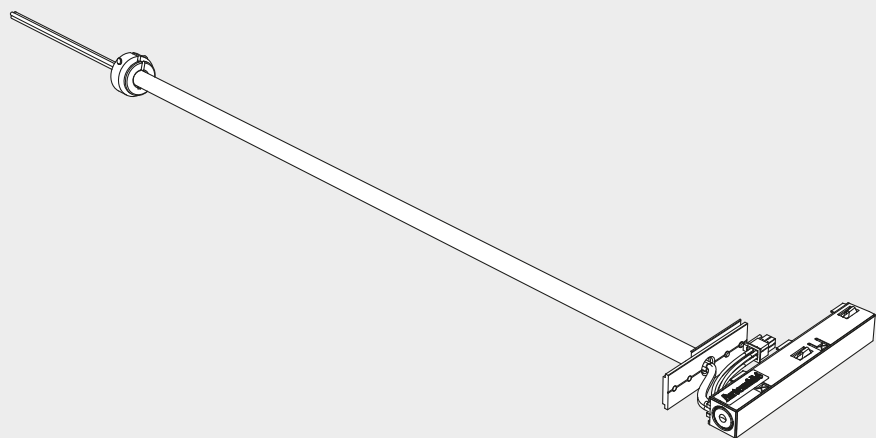


13

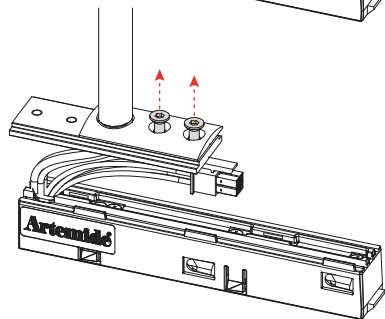
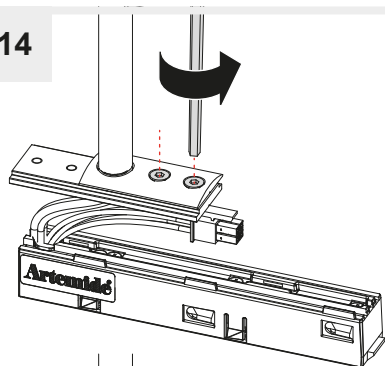


Only for CB50101APP, CB50104APP, CB50401APP, CB50404APP

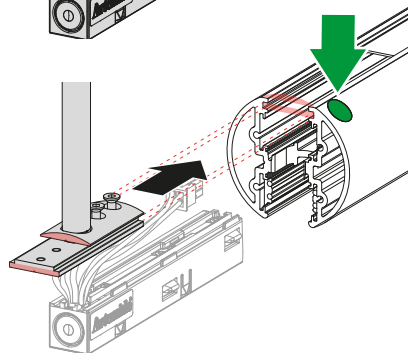
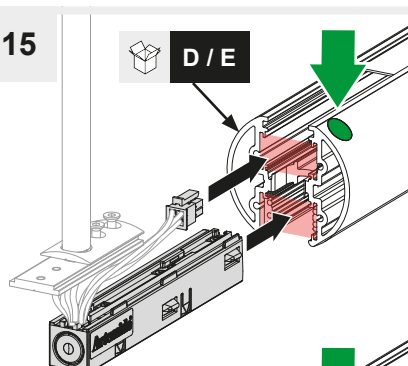




14



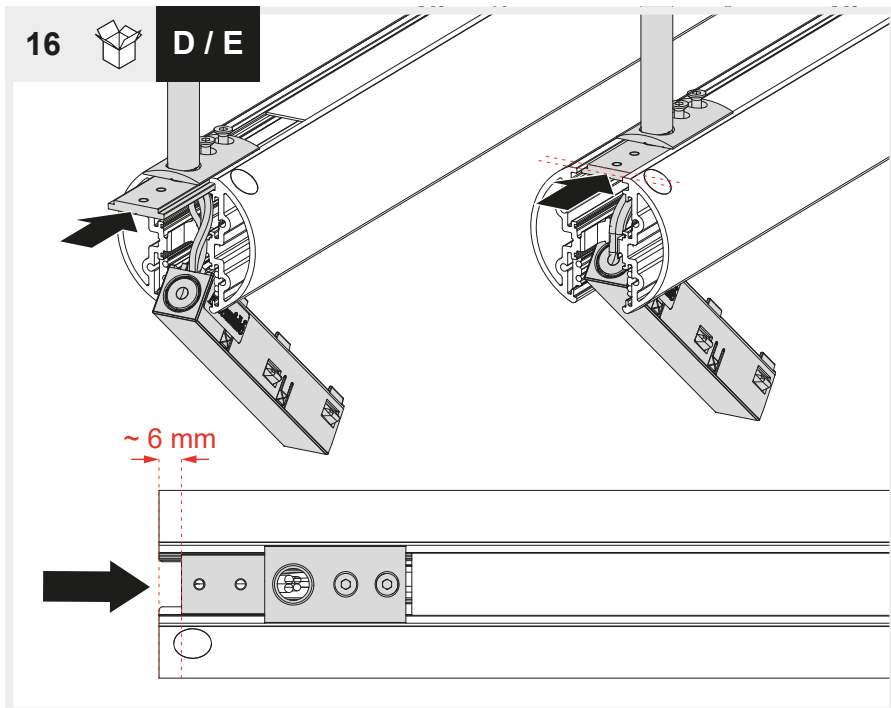
15



16



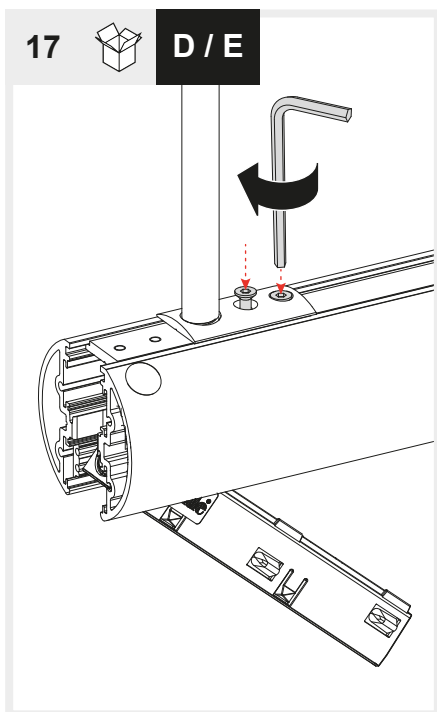
D / E



17



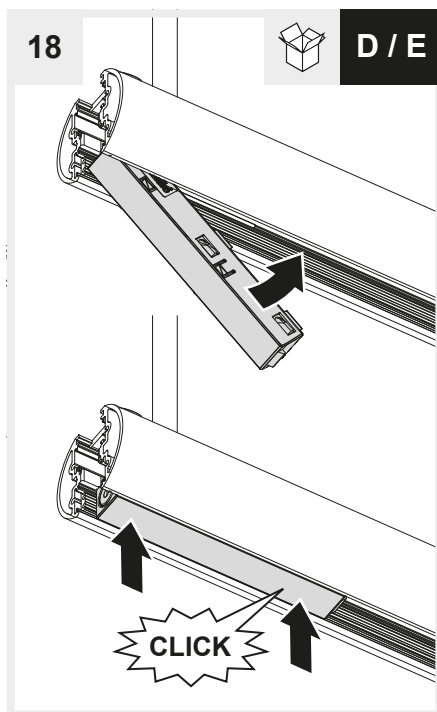
D / E



18



D / E

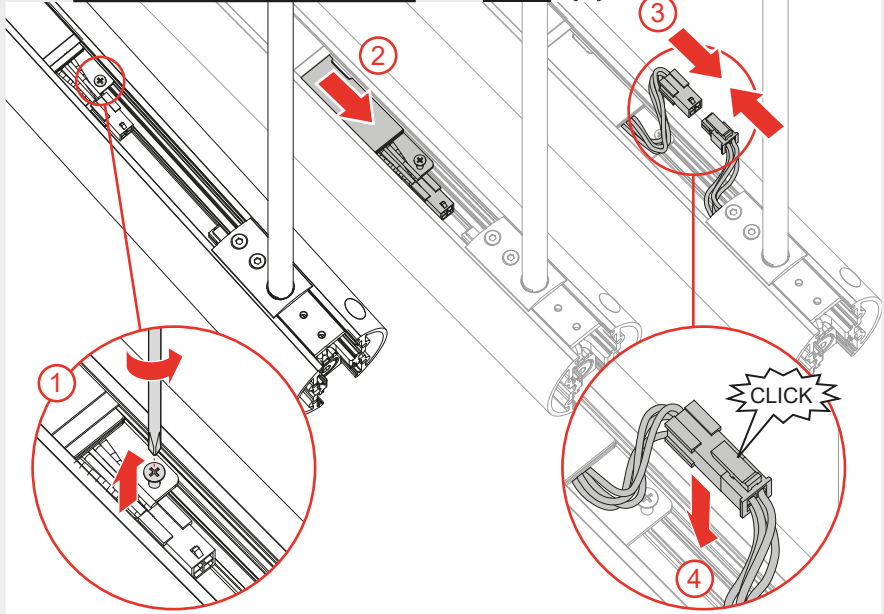


19

Only for CB006XX, CB007XX



E

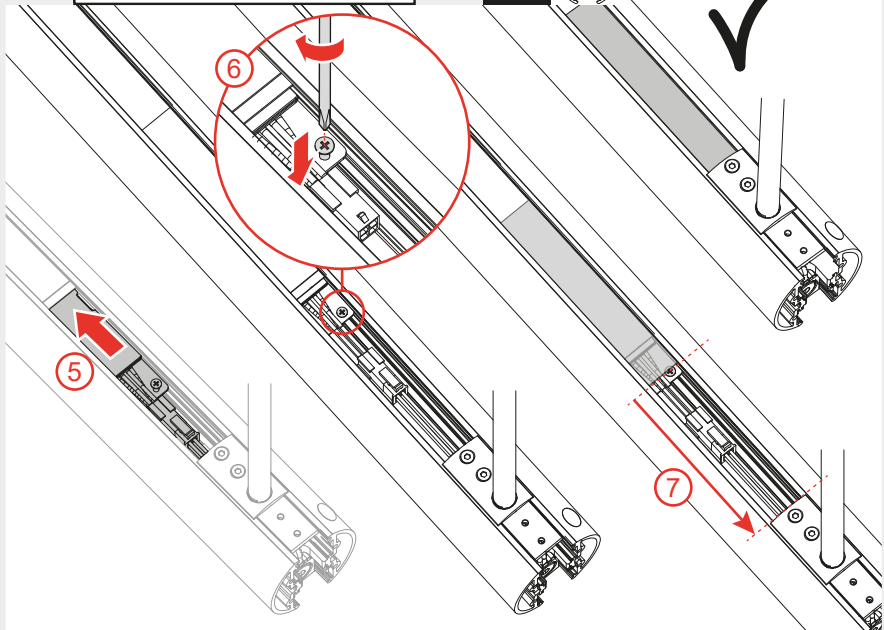


20

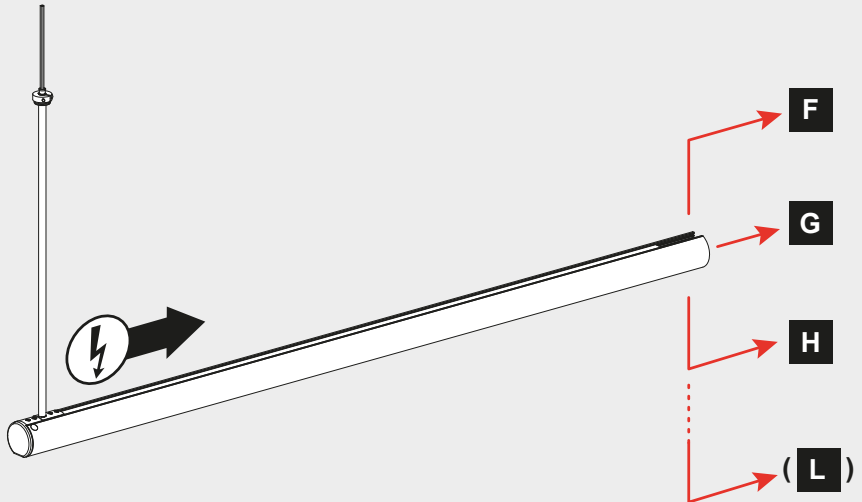
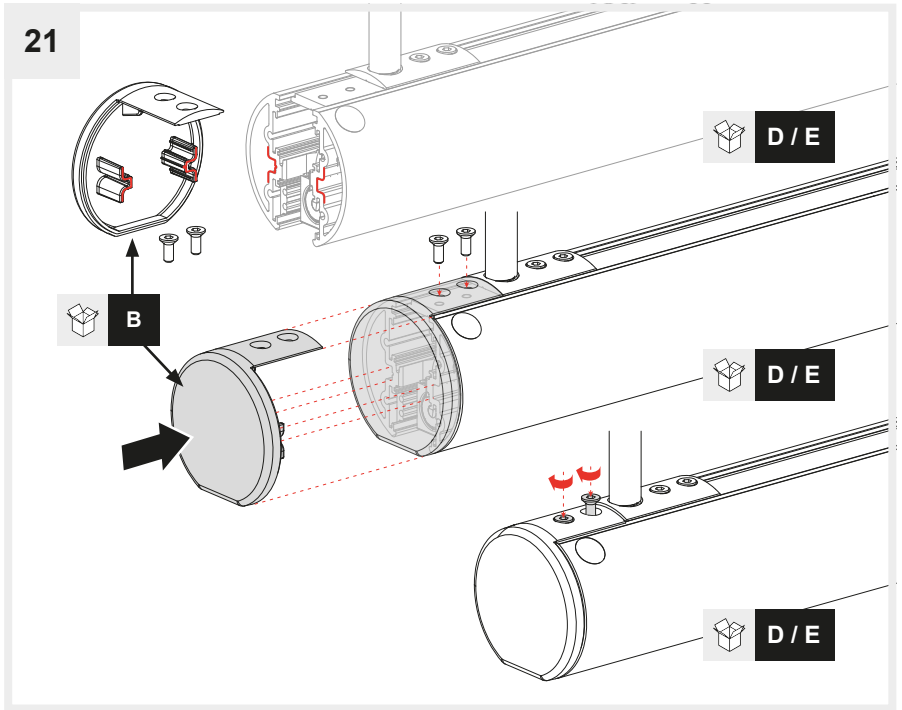
Only for CB006XX, CB007XX

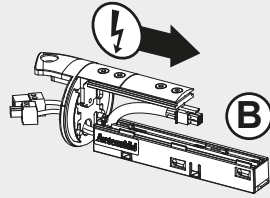
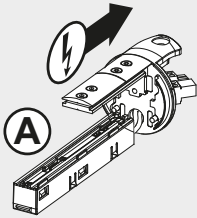
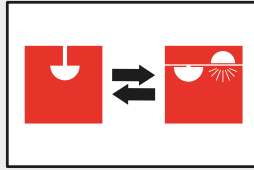
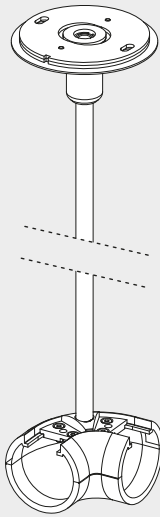
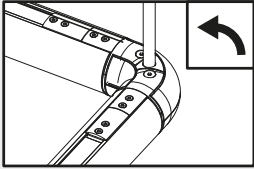
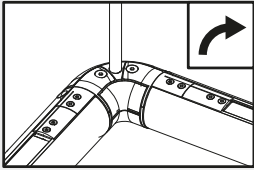


E

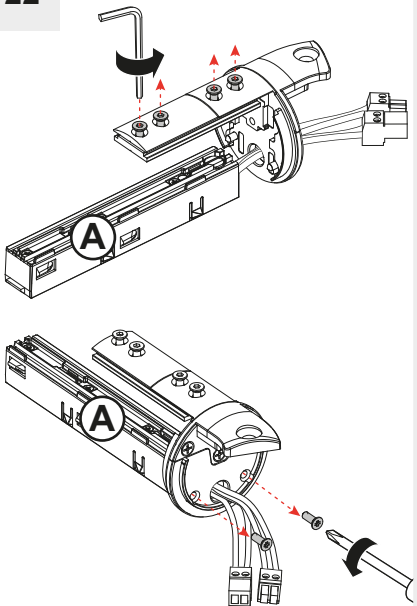


21



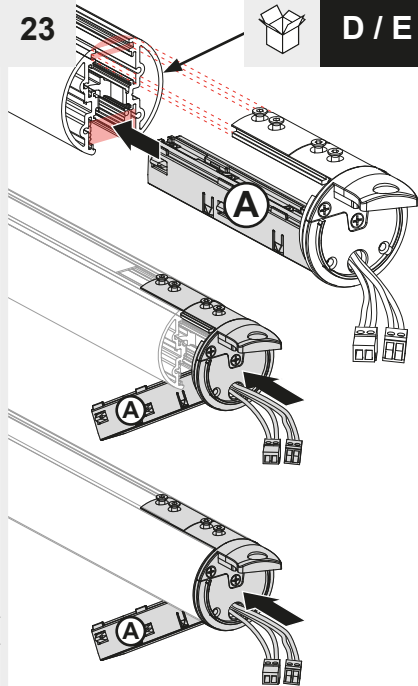


22

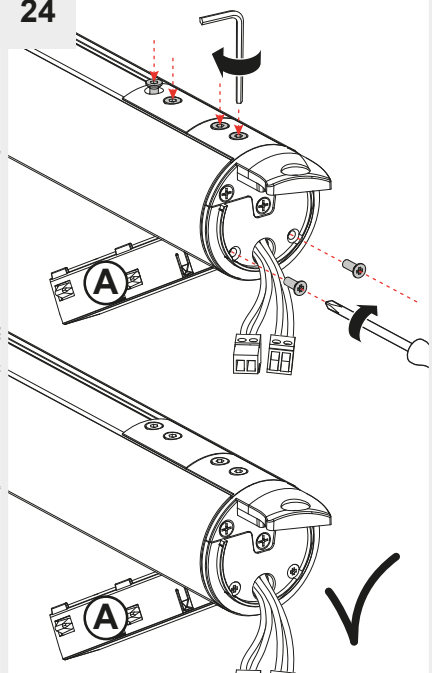


23

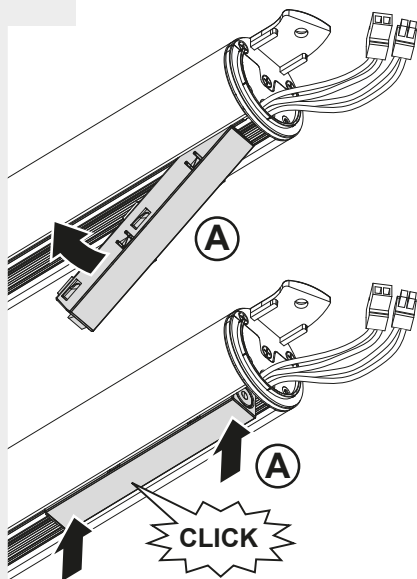
D/E



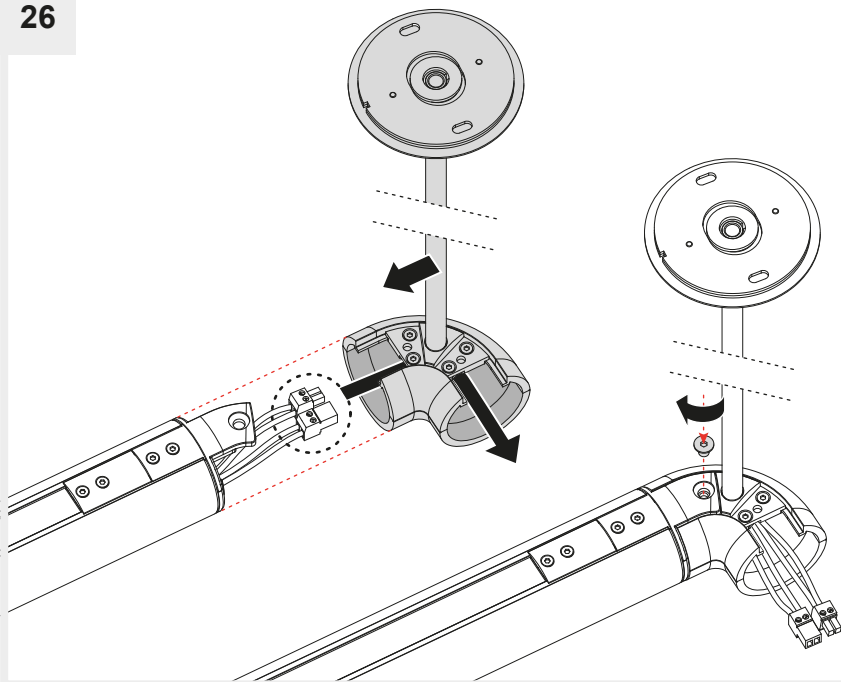
24



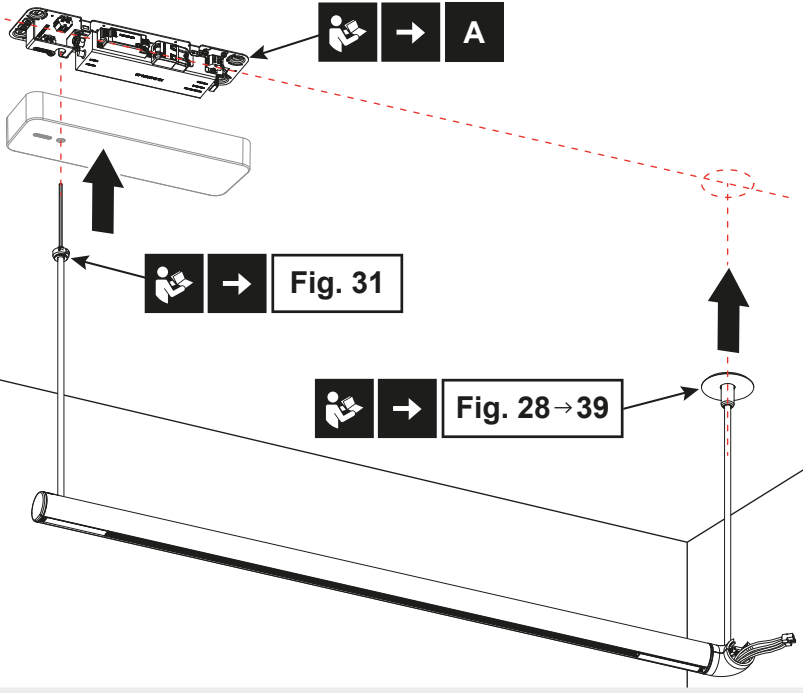
25



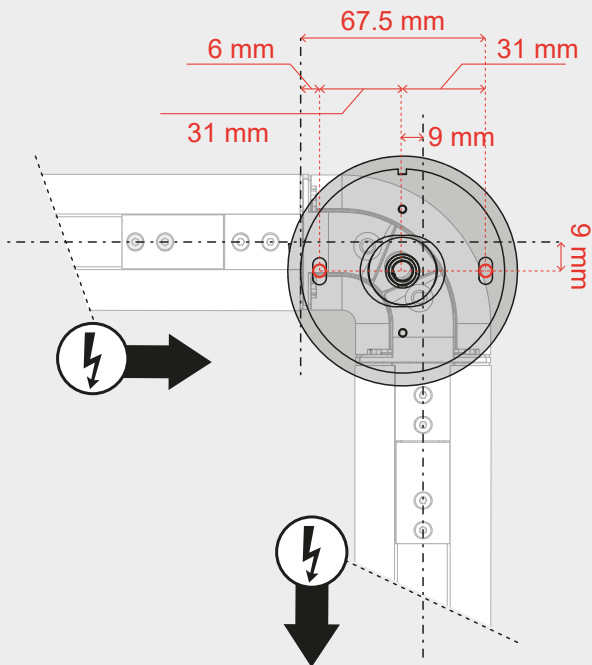
26



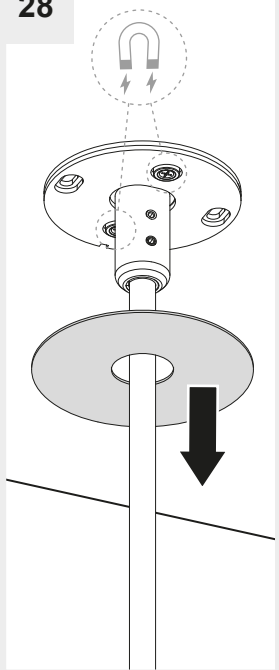
27



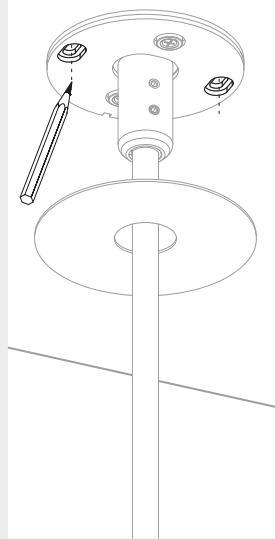
i



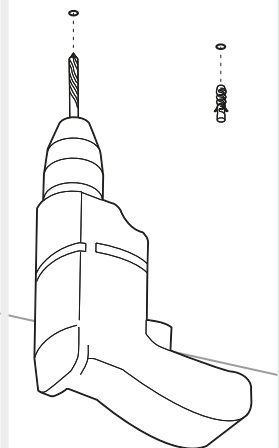
28



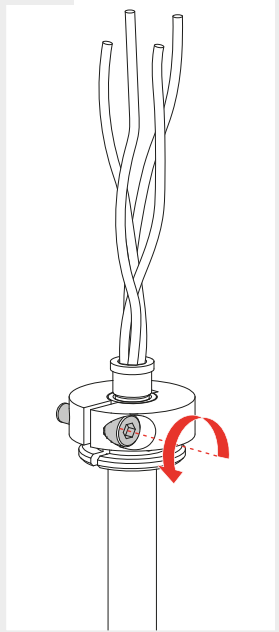
29



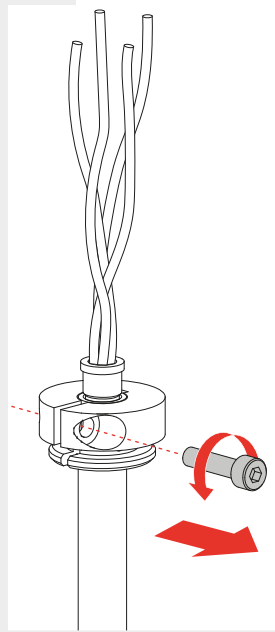
30



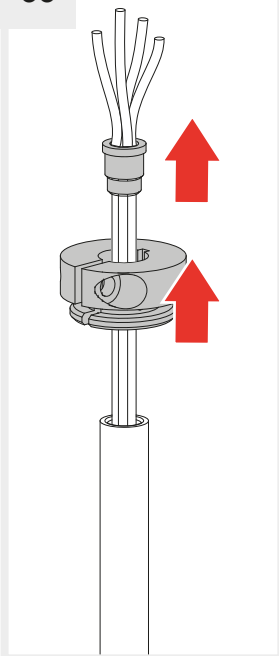
31



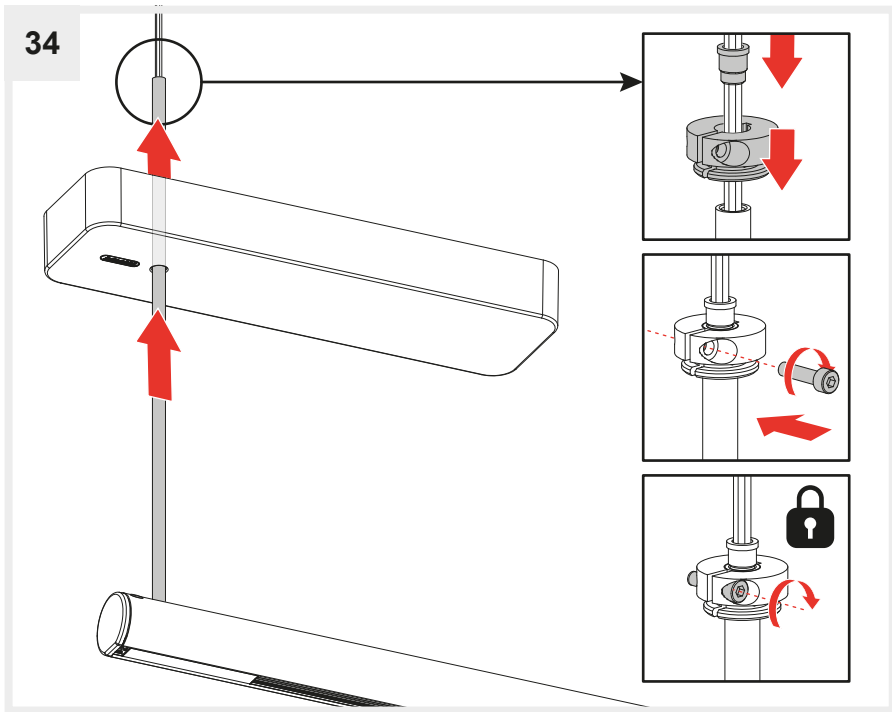
32



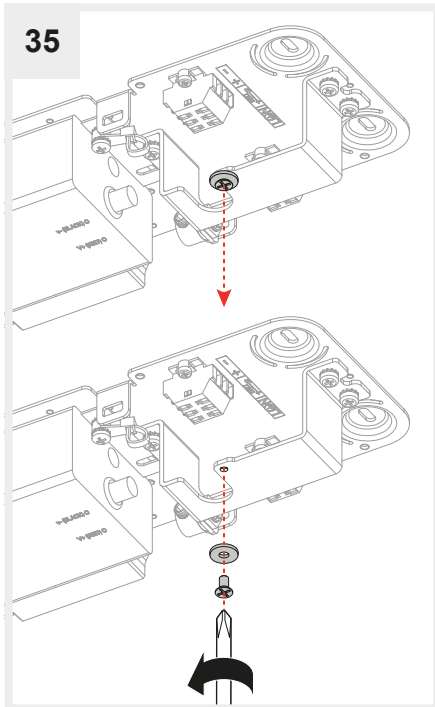
33



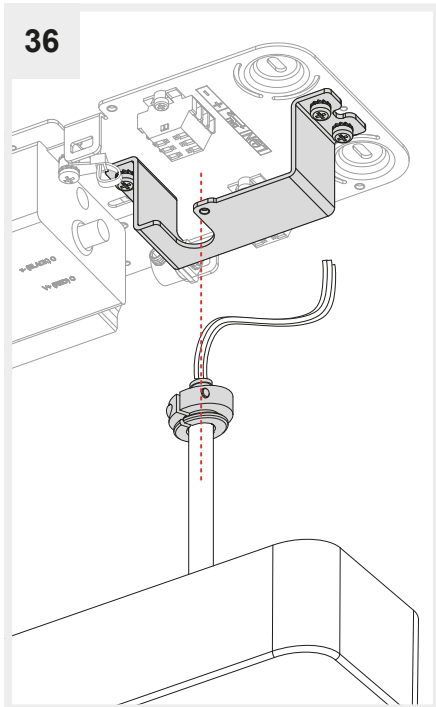
34



35



36



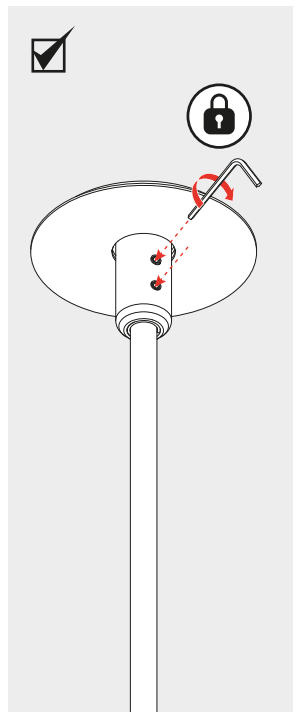
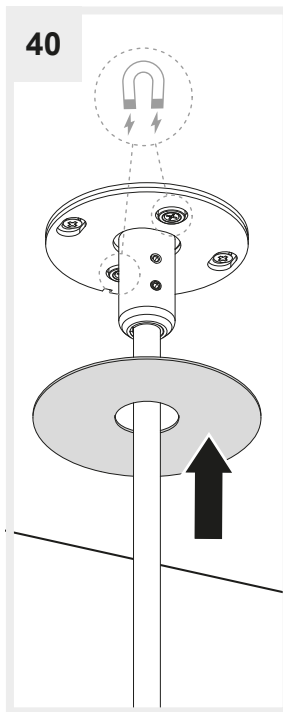
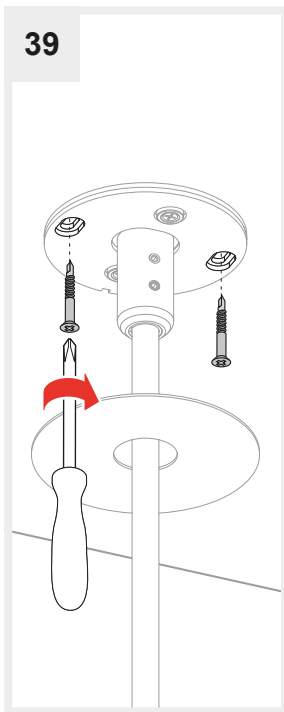
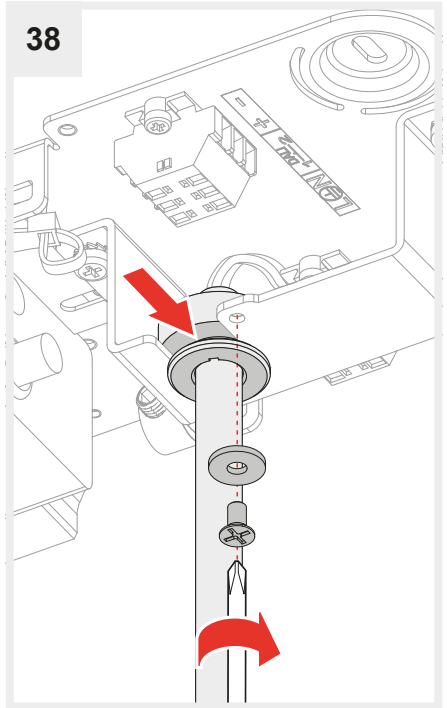
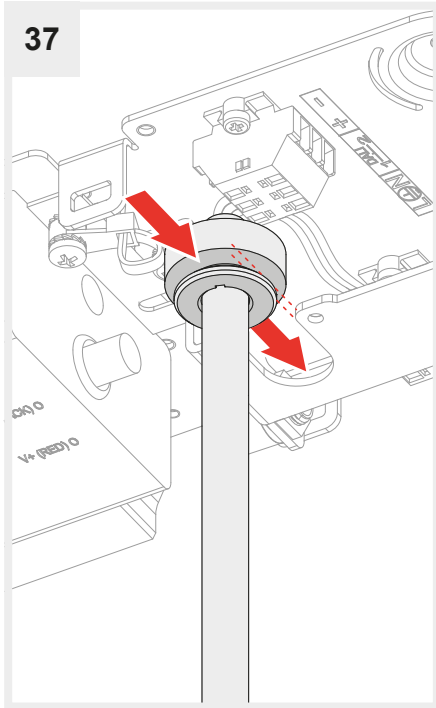
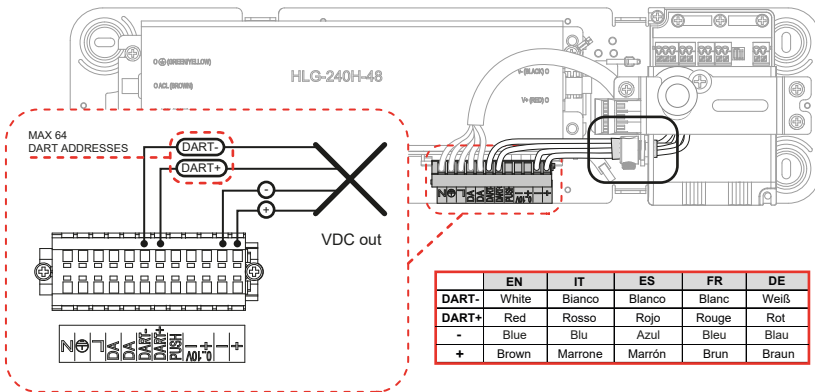
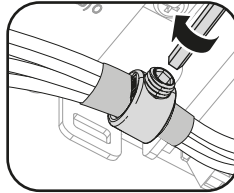


Fig. 41		DALI	 Only for CB50101, CB50104, CB50401, CB50404
		0-10V	
		Potentiometer	
		1-10V	
		Push	
		LV Push	
Fig. 42		On/Off	Only for CB50001, CB50004, CB50301, CB50304
Fig. 43		APP	Only for CB50101APP, CB50104APP, CB50401APP, CB50404APP

41

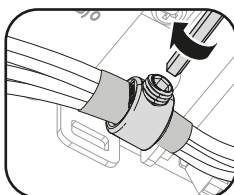
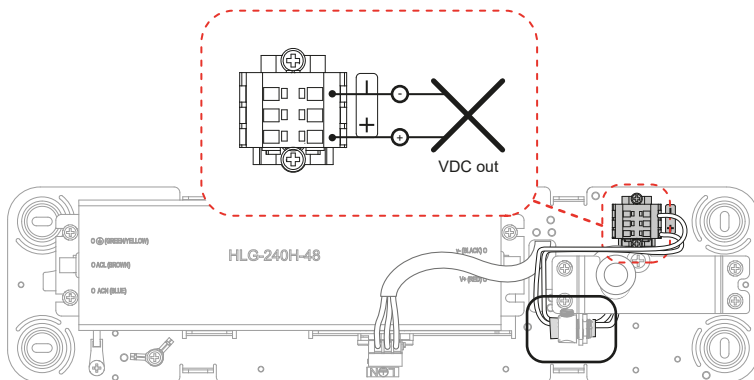
Only for CB50101, CB50104, CB50401, CB50404



42



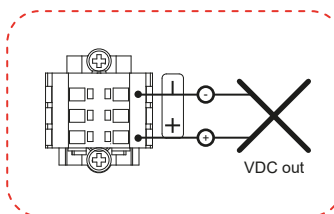
Only for CB50001, CB50004, CB50301, CB50304



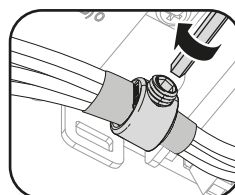
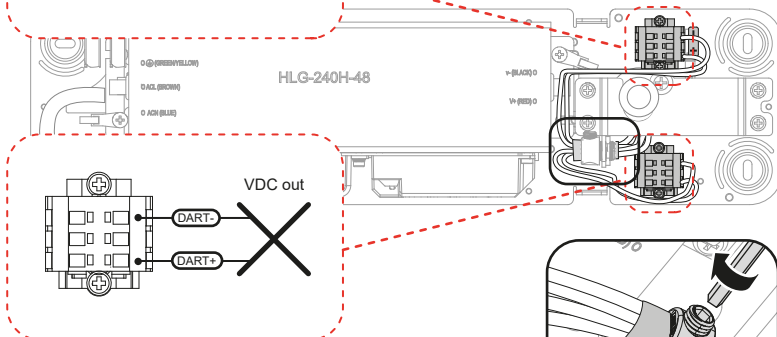
43

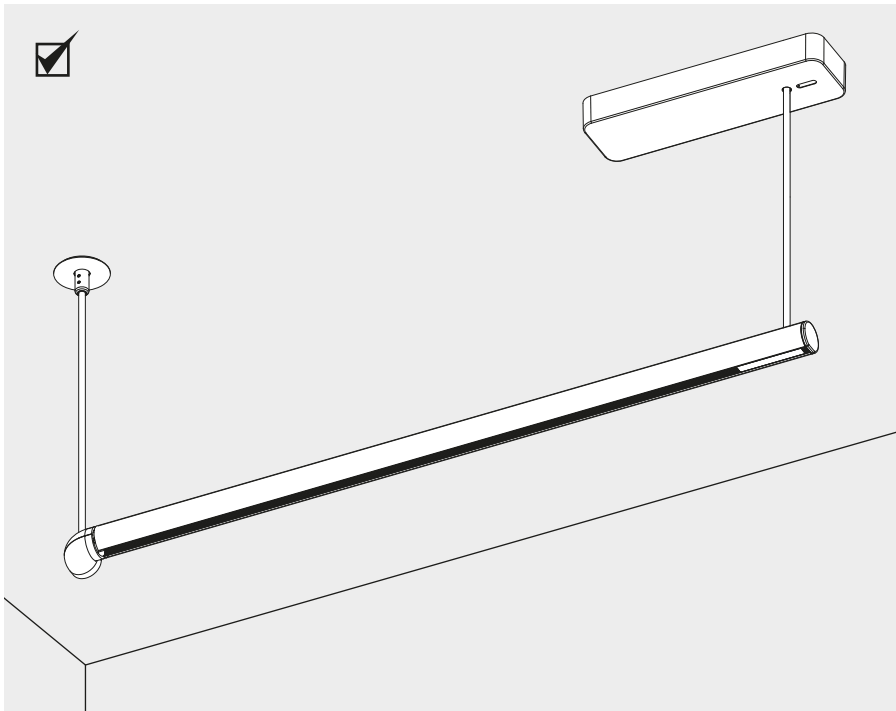
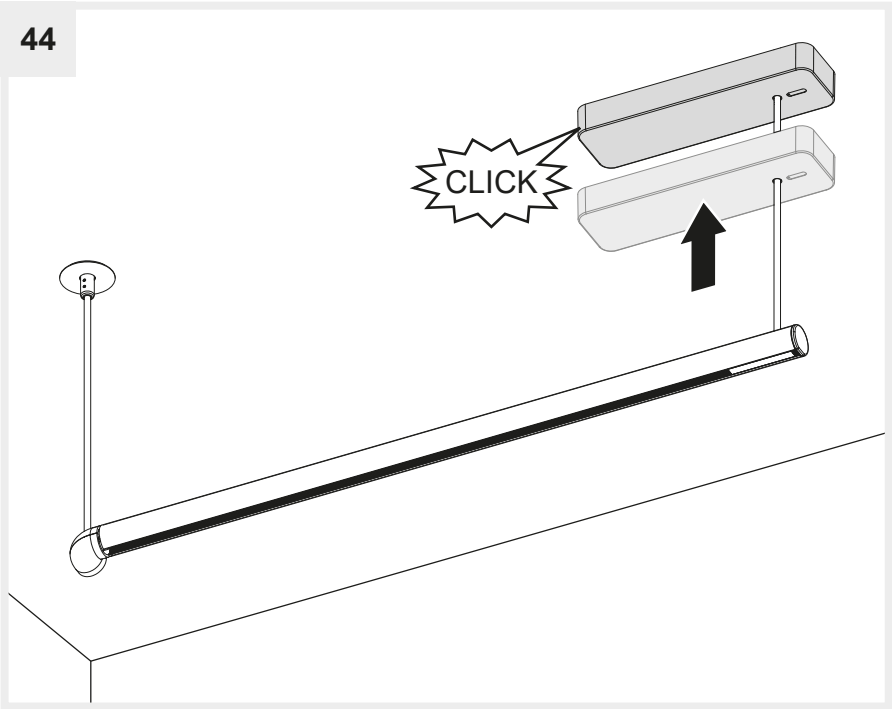


Only for CB50101APP, CB50104APP, CB50401APP, CB50404APP

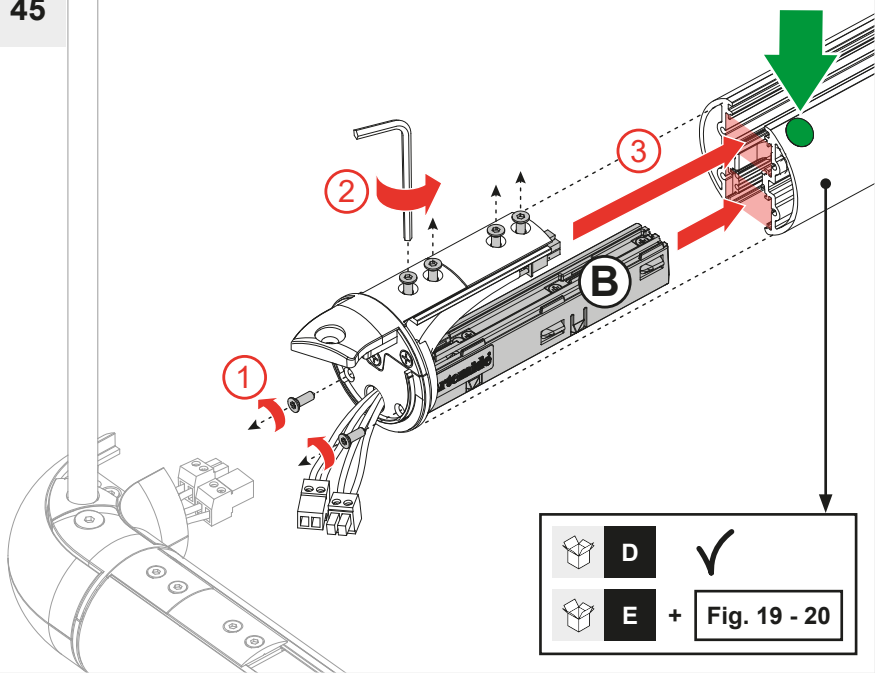


	EN	IT	ES	FR	DE
DART-	White	Bianco	Blanco	Blanc	Weiß
DART+	Red	Rosso	Rojo	Rouge	Rot
-	Blue	Blu	Azul	Bleu	Blau
+	Brown	Marrone	Marrón	Brun	Braun

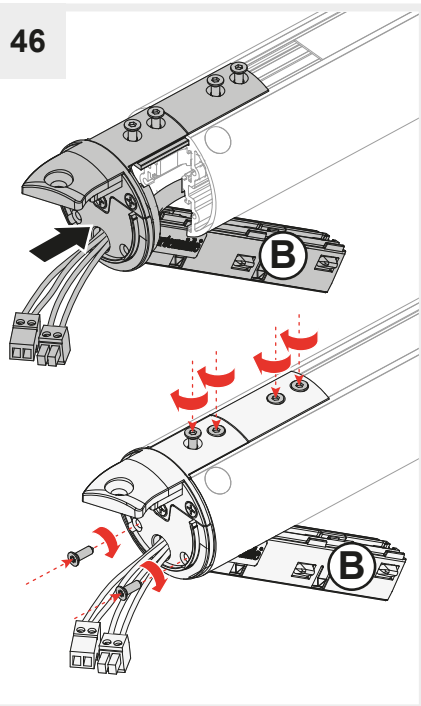




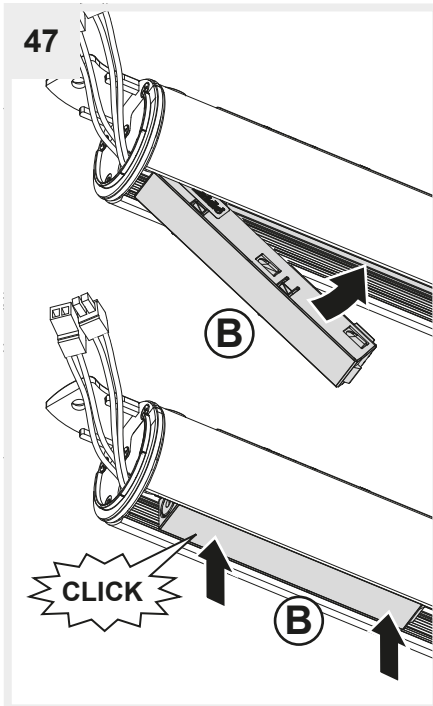
45



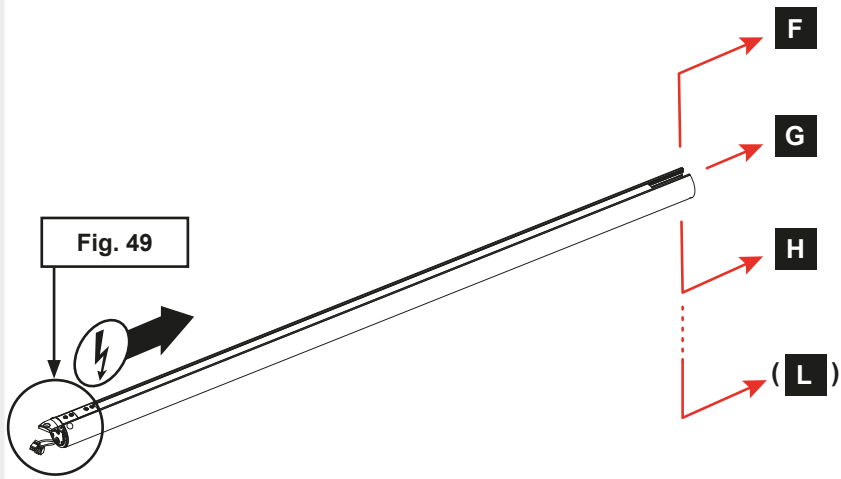
46



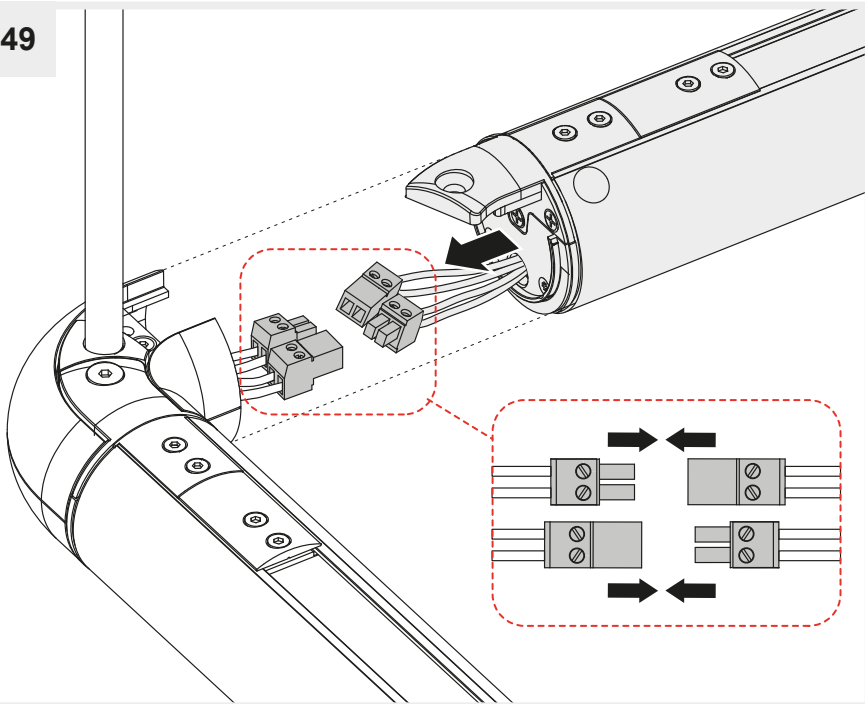
47



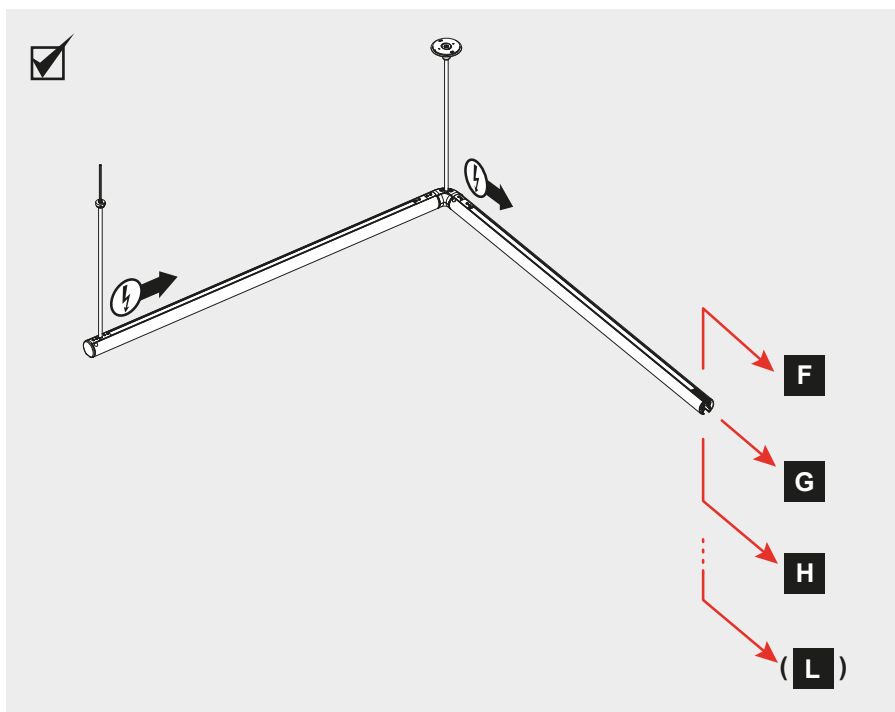
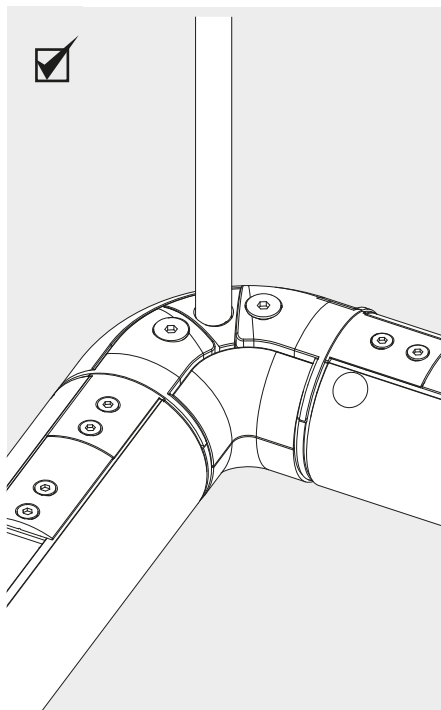
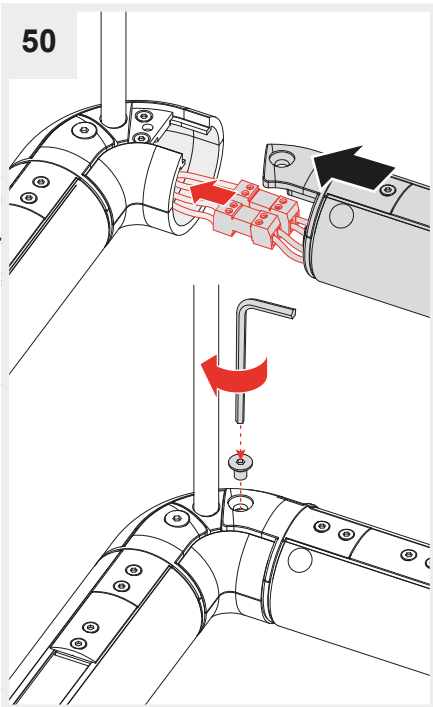
48

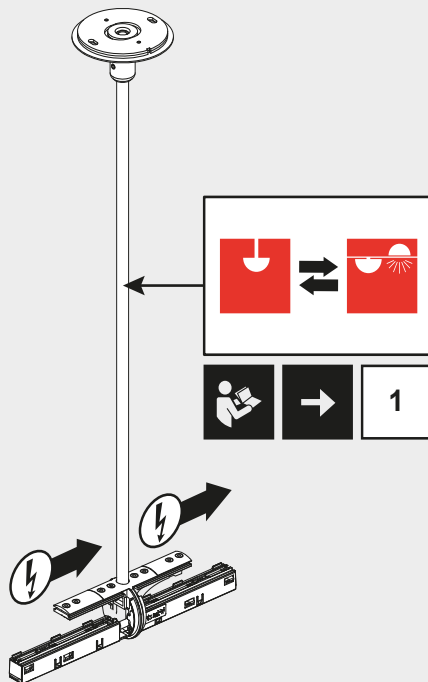


49

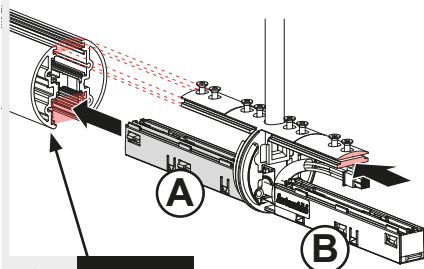
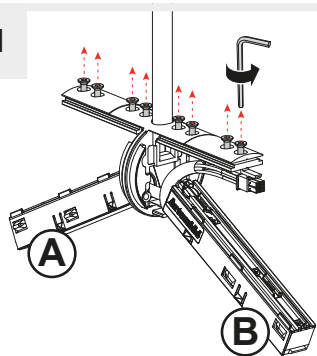


50



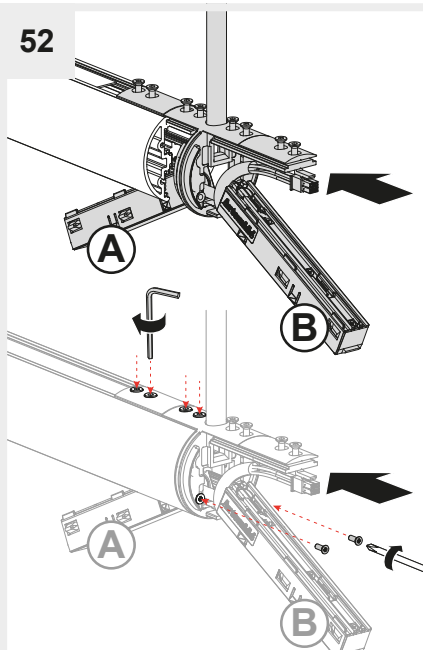


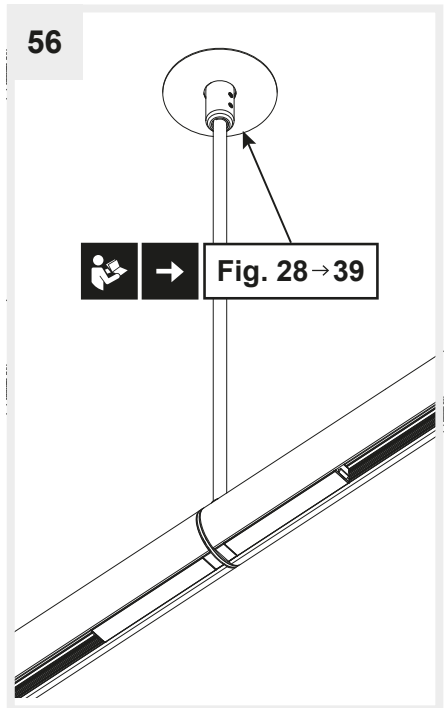
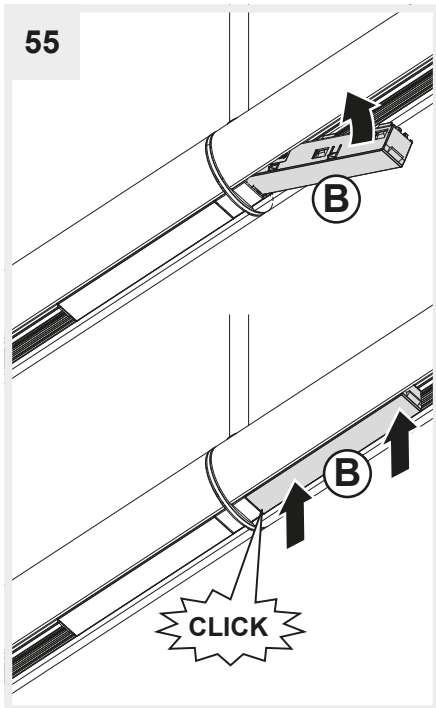
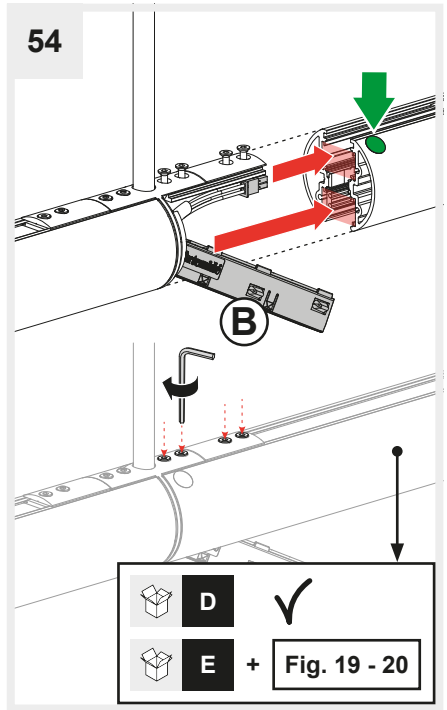
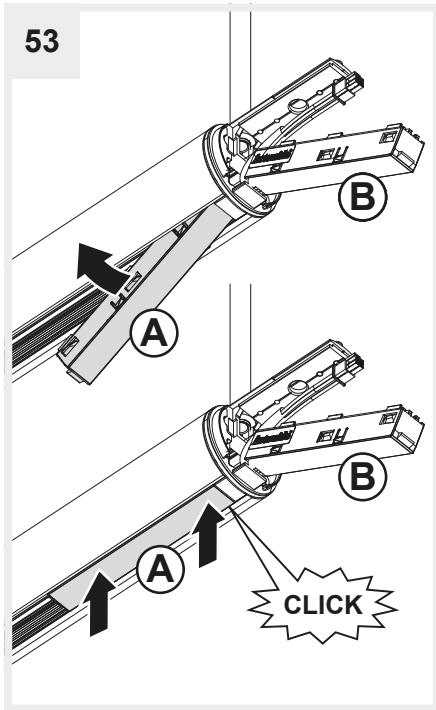
51



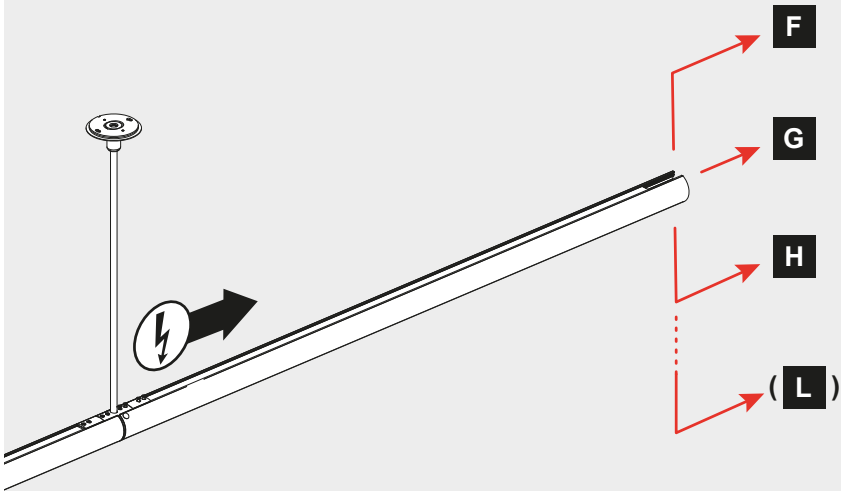
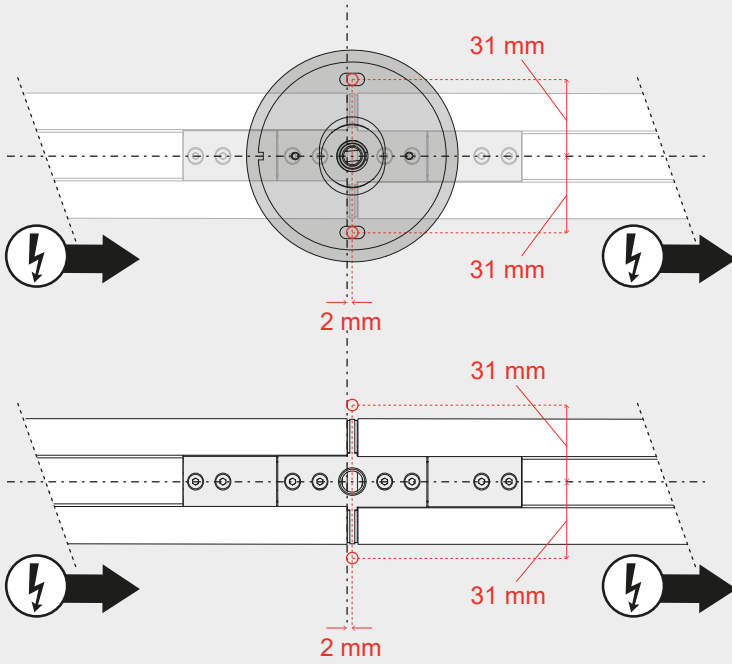
D/E

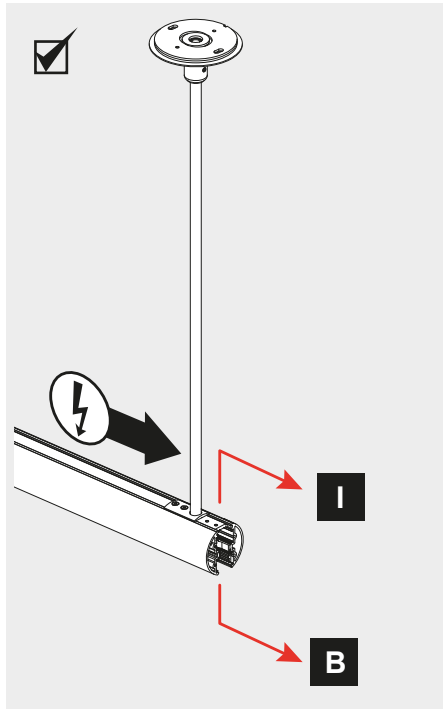
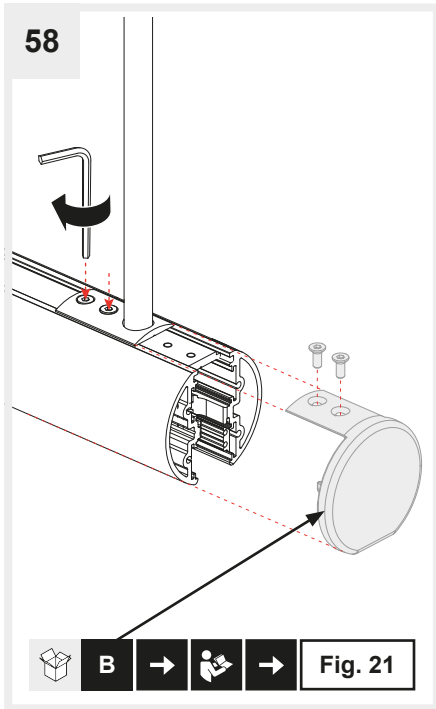
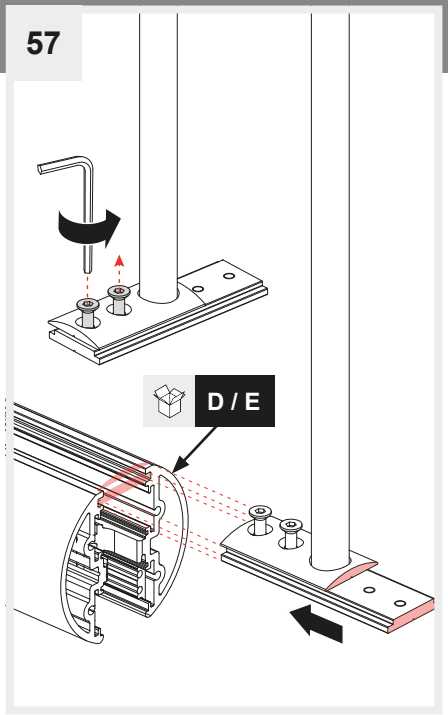
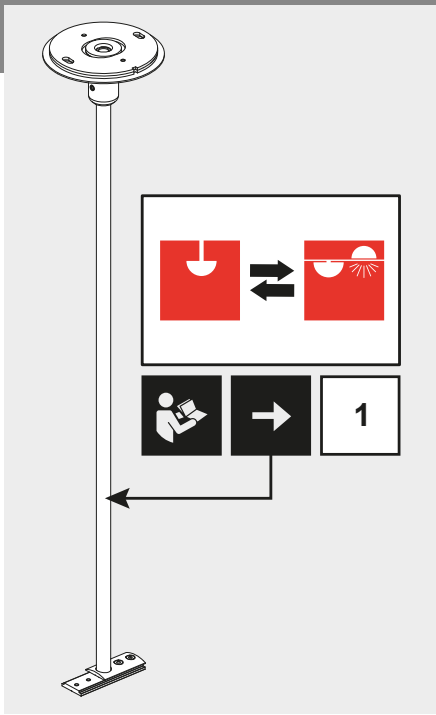
52



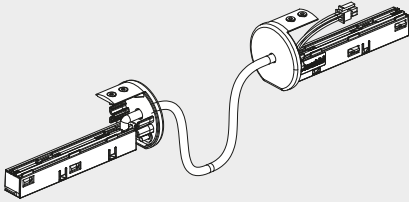
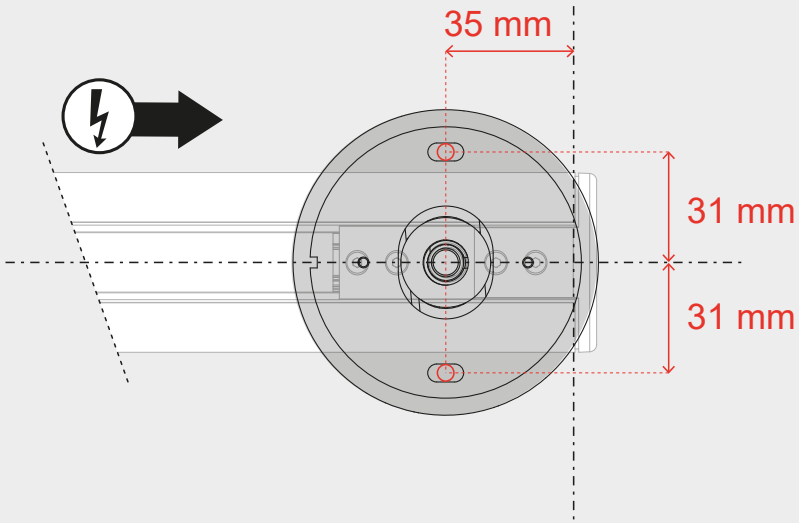


i

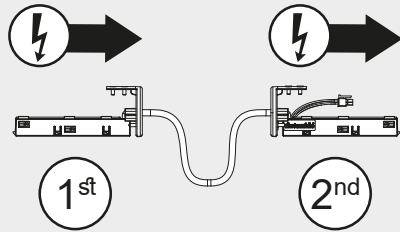


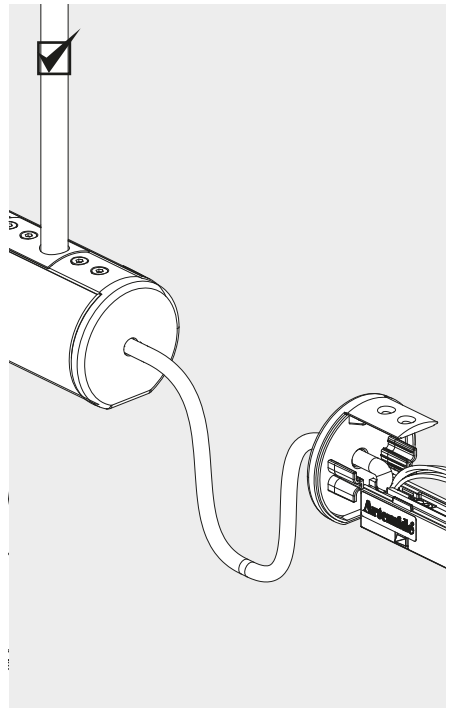
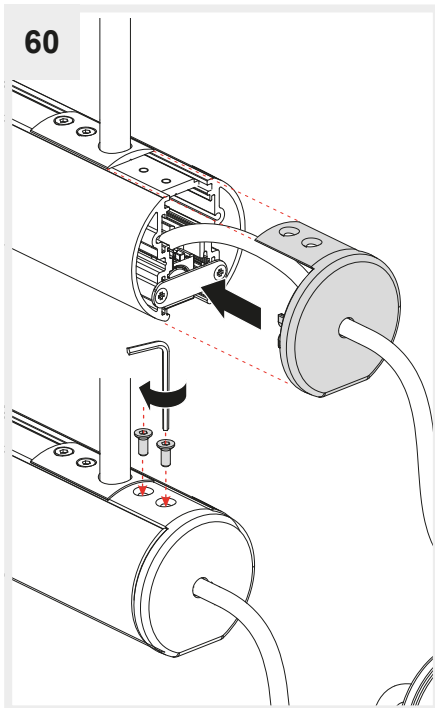
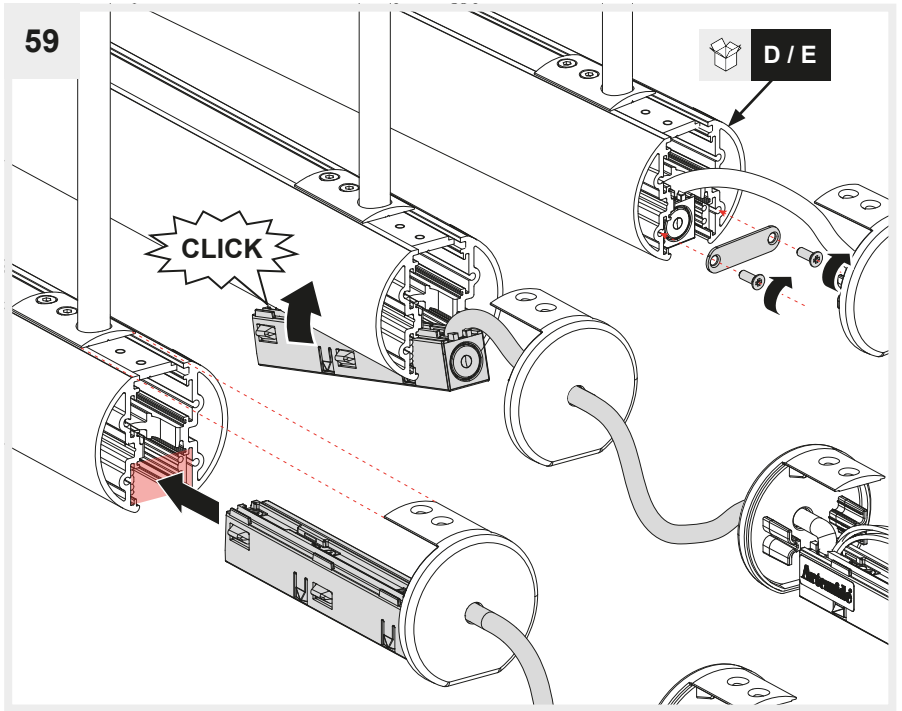


i

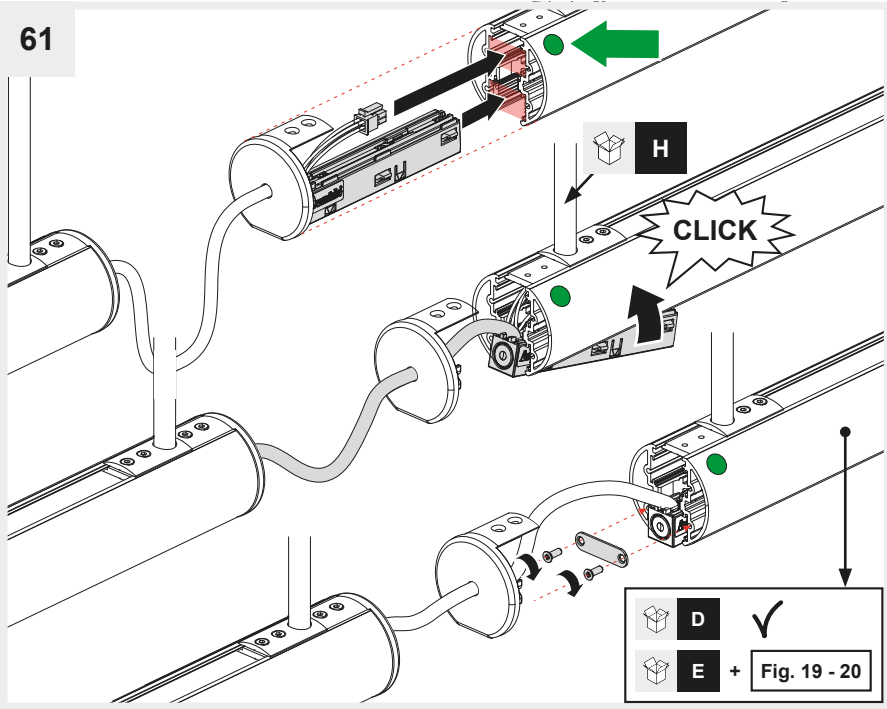


i

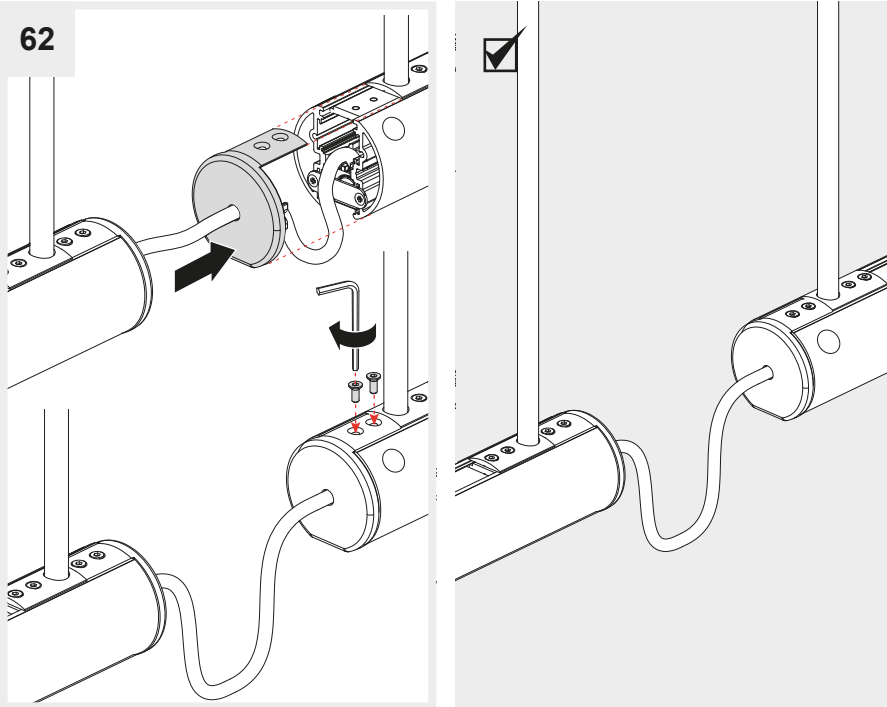




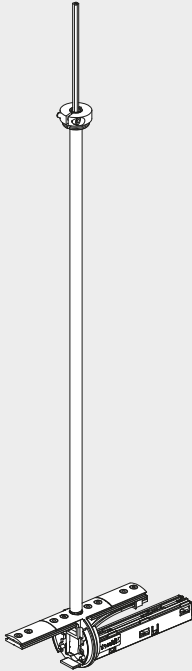
61



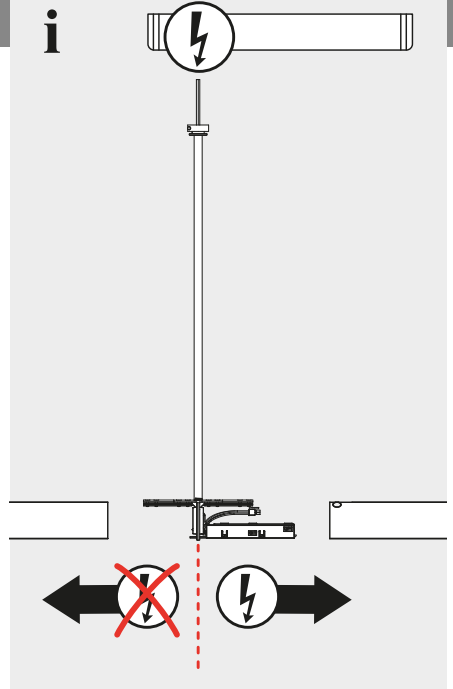
62



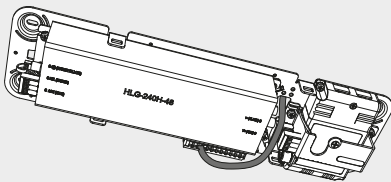
L



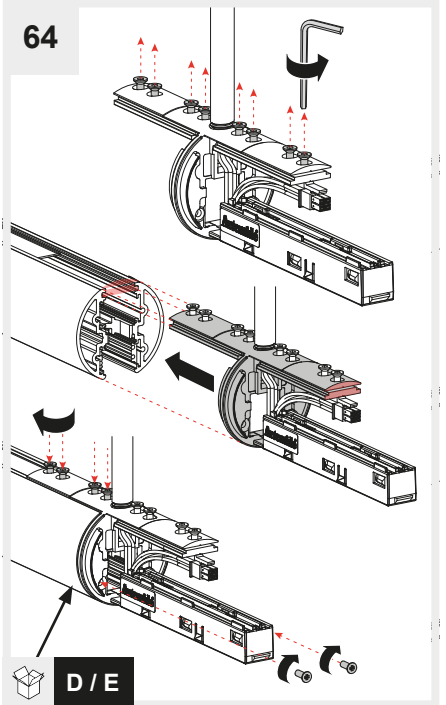
i



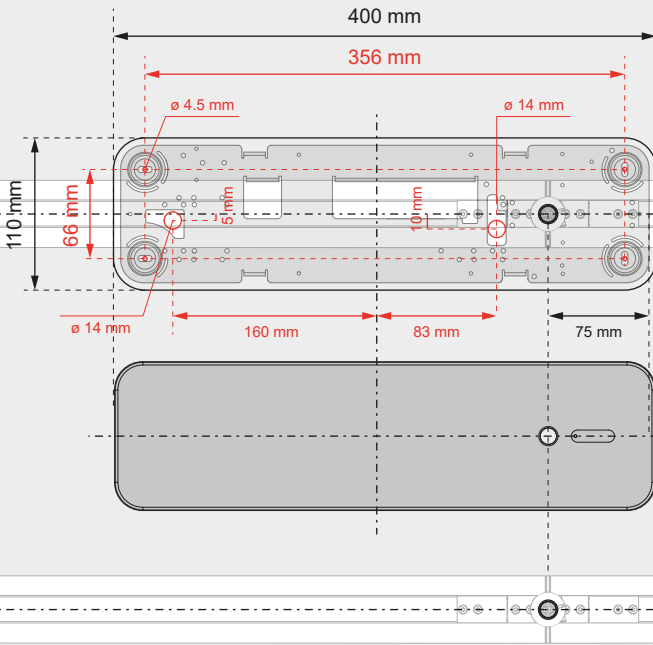
63



64



i



65



Fig. 41 ... 43



Fig. 28 → 39



Fig. 31

- F** ←
- G** ←
- H** ←

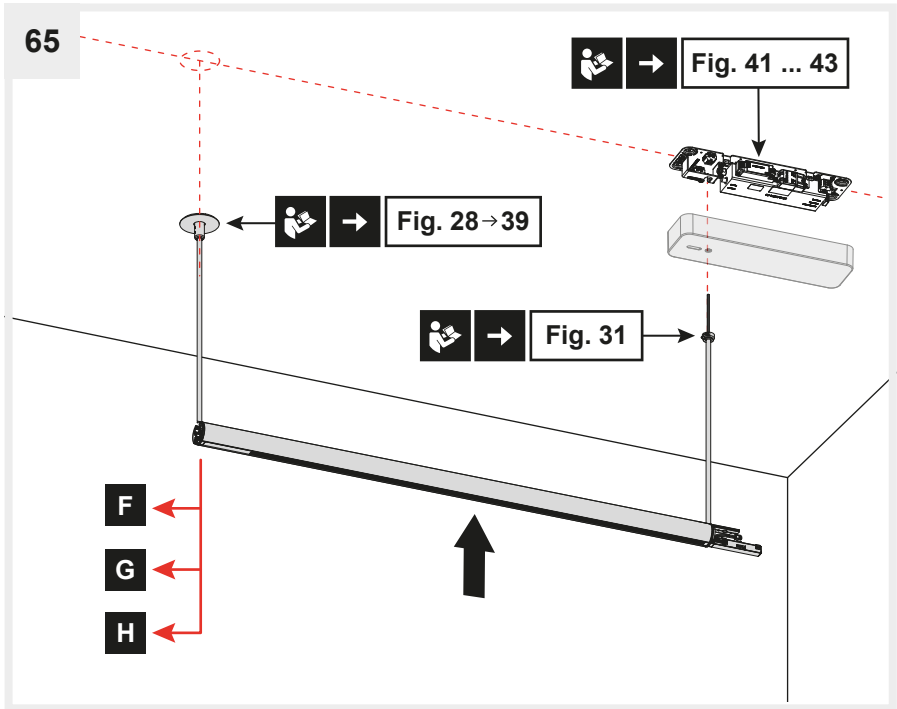

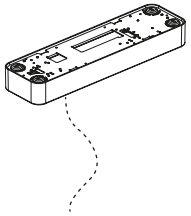







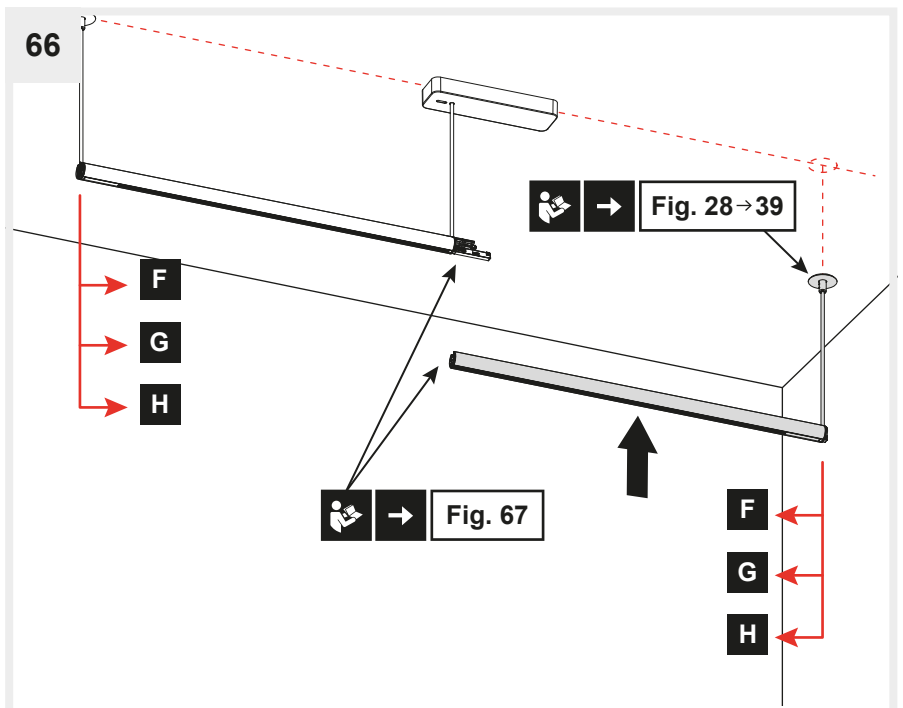
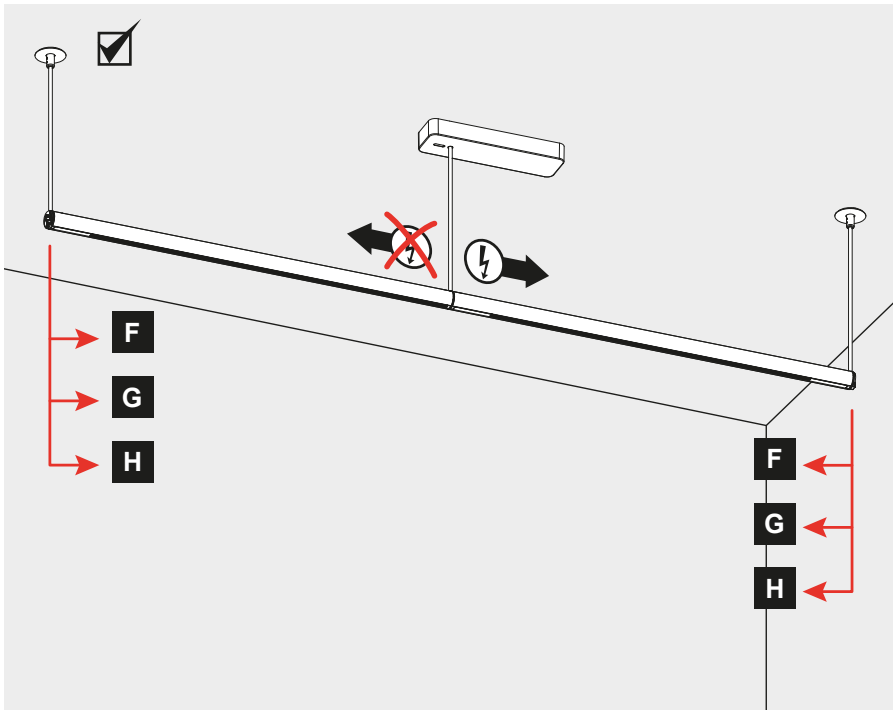
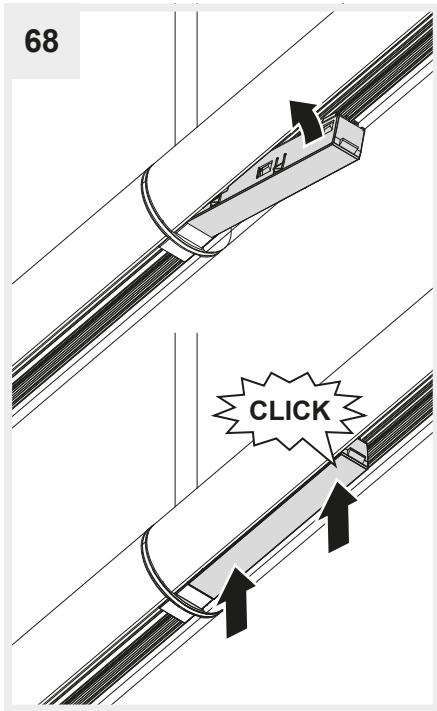
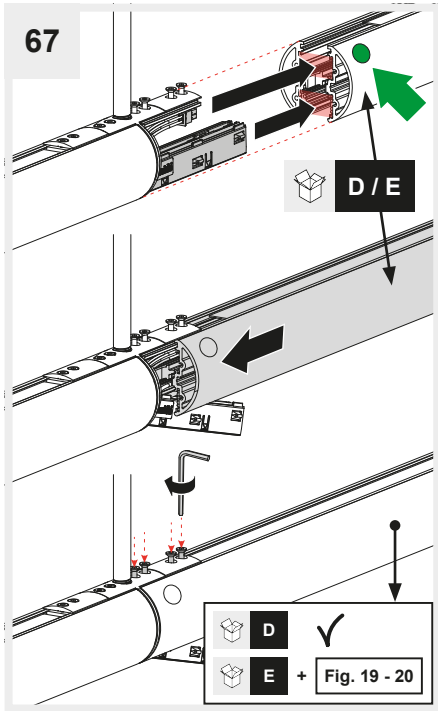
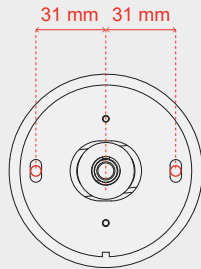
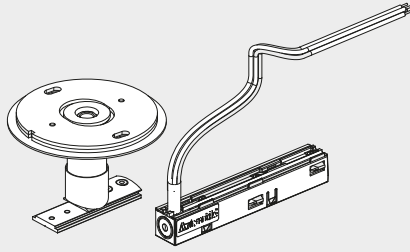


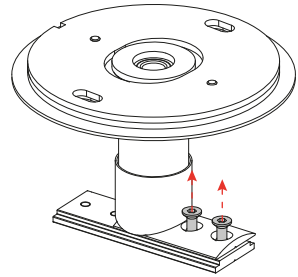
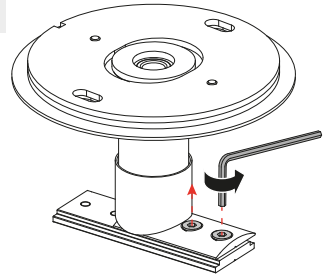
Fig. 41		DALI	
		0-10V	
		Potentiometer	
		1-10V	
		Push	
		LV Push	
	Fig. 42		
Fig. 43		APP	Only for CB50101APP, CB50104APP, CB50401APP, CB50404APP





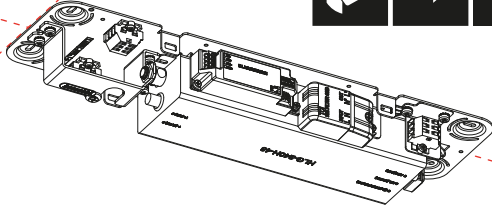
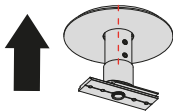


69

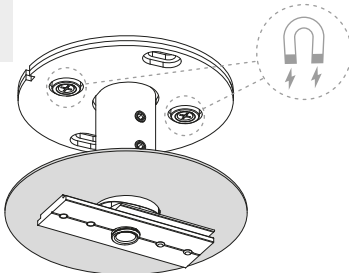


70

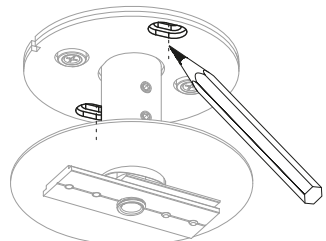
max 20 mm



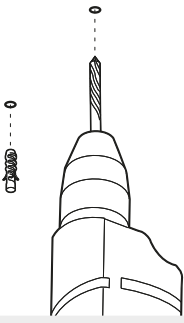
71



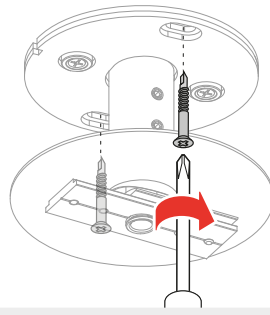
72



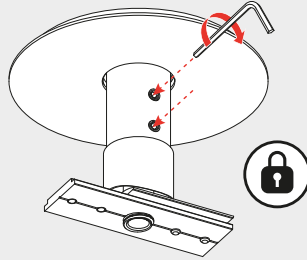
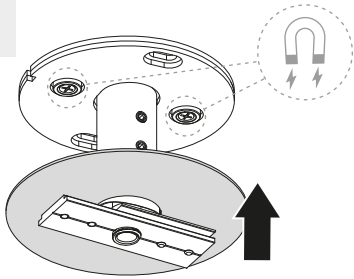
73



74



75



76

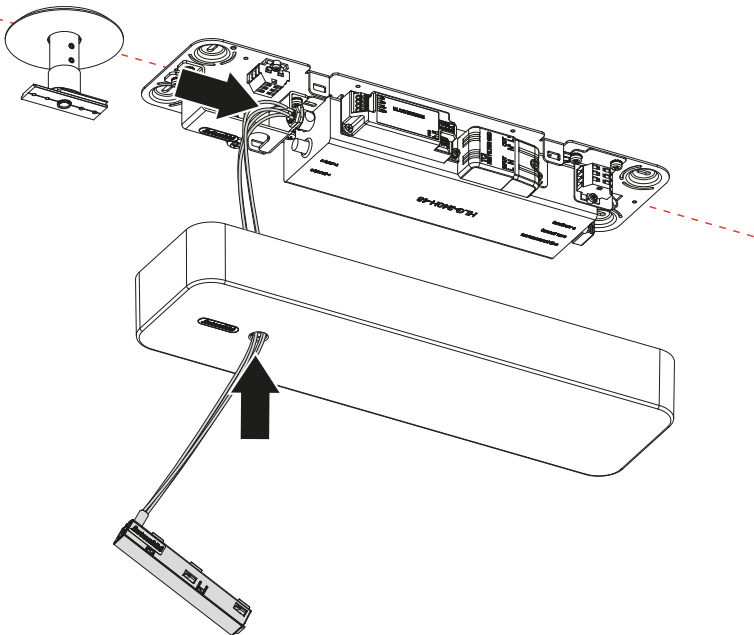
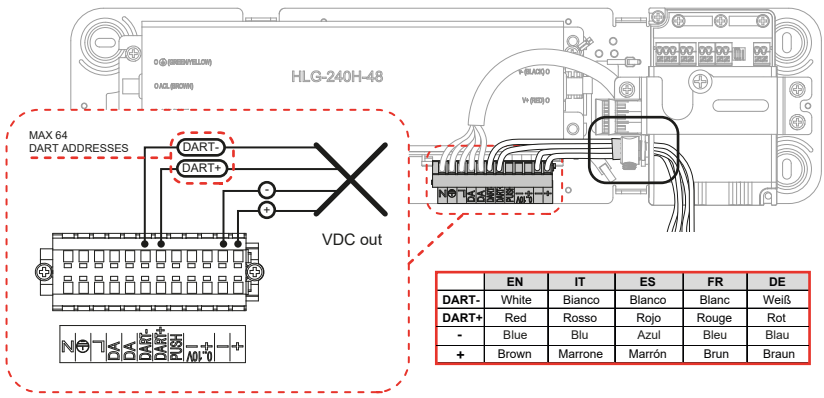
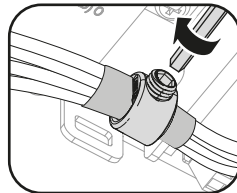


Fig. 77		DALI	 Only for CB50101, CB50104, CB50401, CB50404
		0-10V	
		Potentiometer	
		1-10V	
		Push	
		LV Push	
Fig. 78		On/Off	Only for CB50001, CB50004, CB50301, CB50304
Fig. 79		APP	Only for CB50101APP, CB50104APP, CB50401APP, CB50404APP

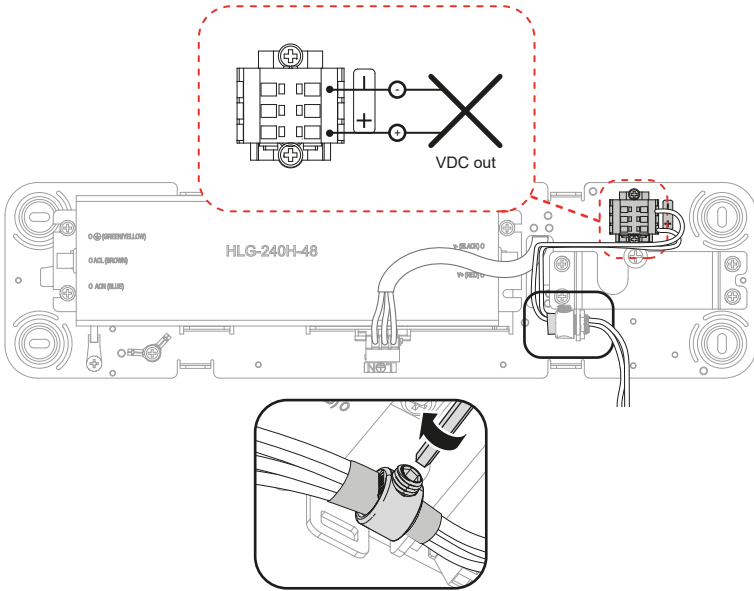
77

Only for CB50101, CB50104, CB50401, CB50404

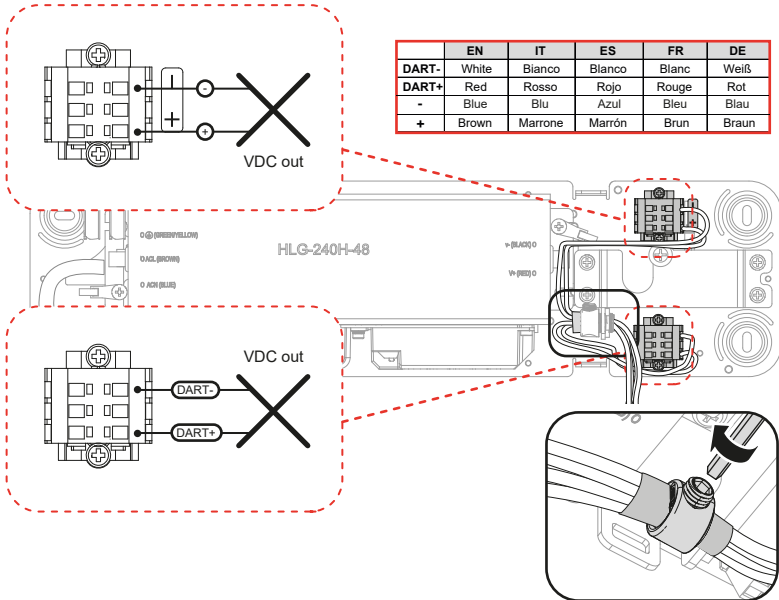




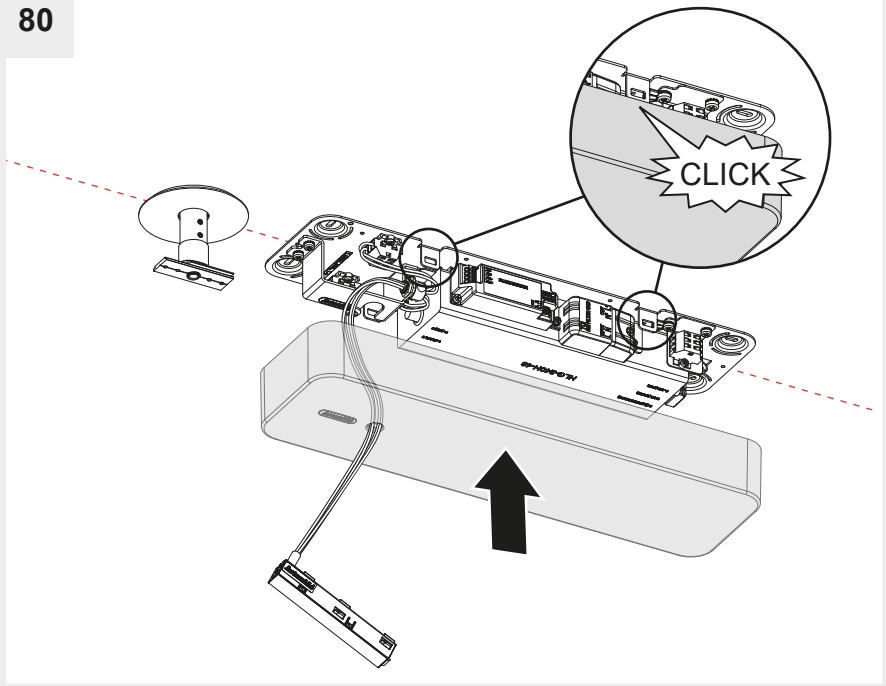
Only for CB50001, CB50004, CB50301, CB50304



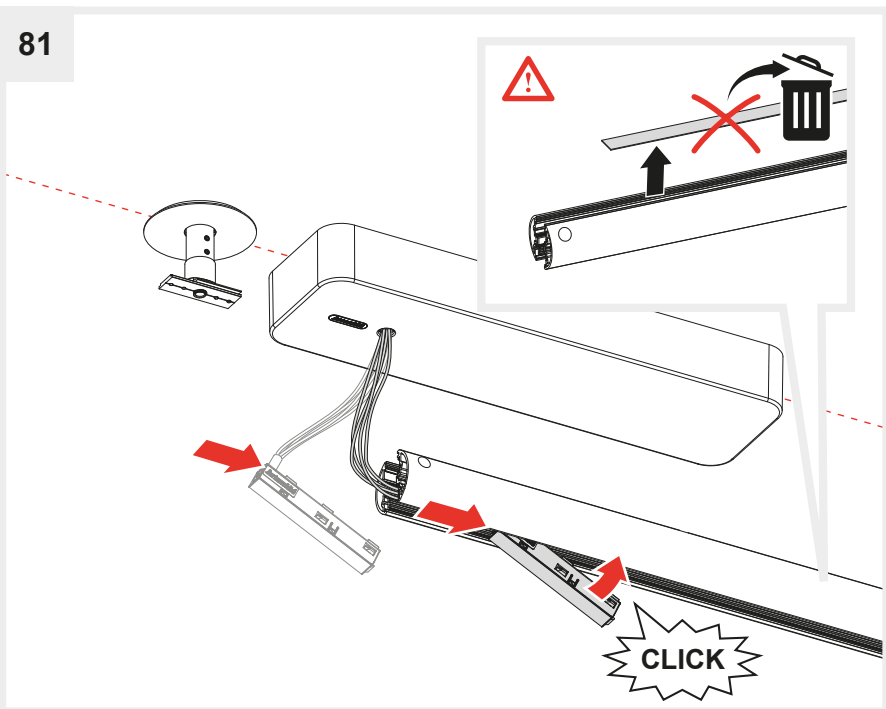
Only for CB50101APP, CB50104APP, CB50401APP, CB50404APP

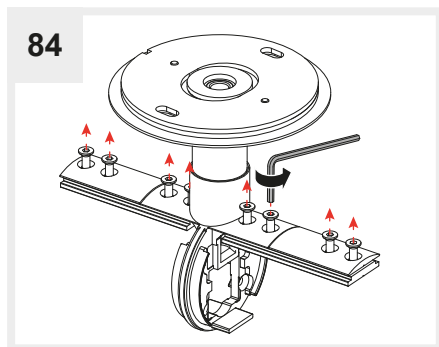
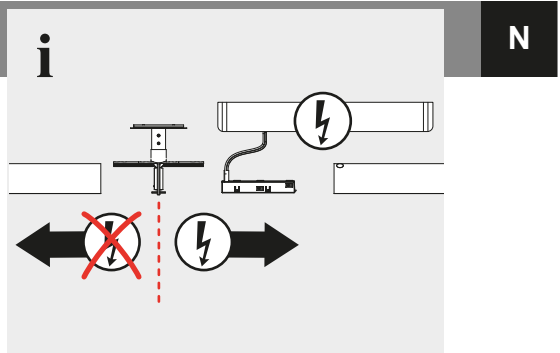
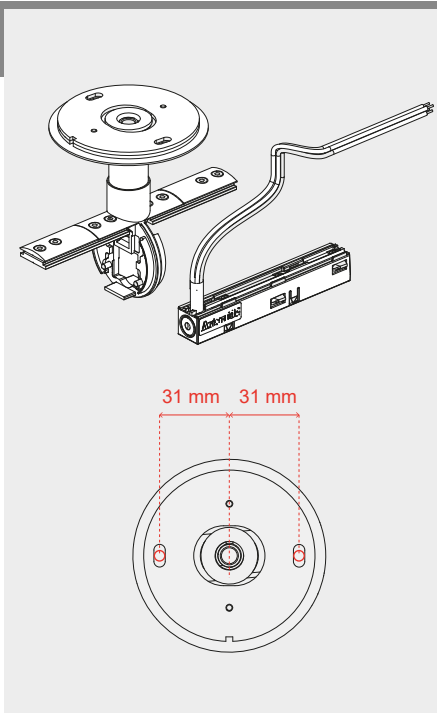
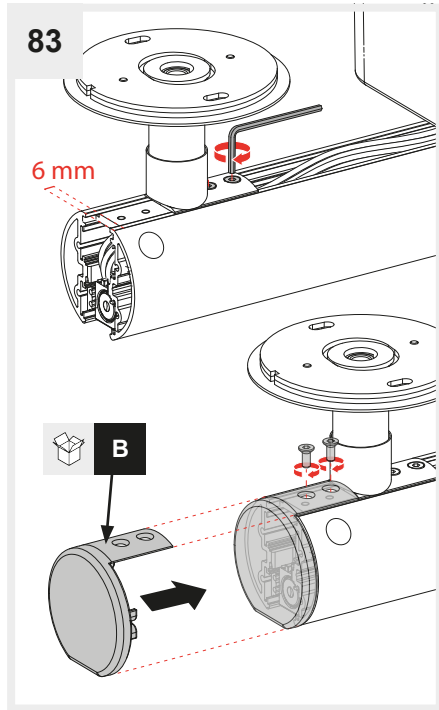
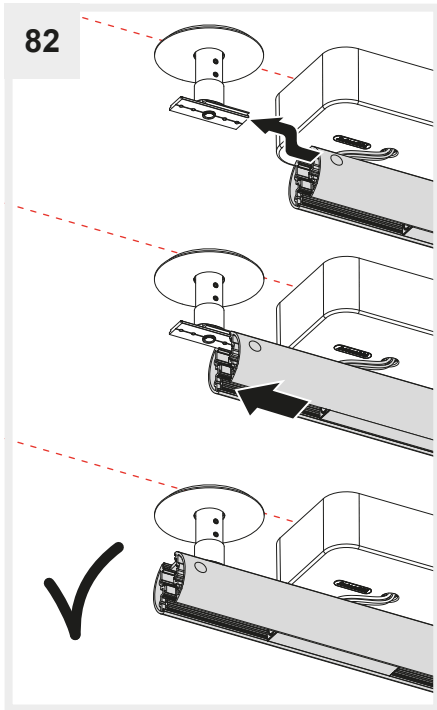


80



81





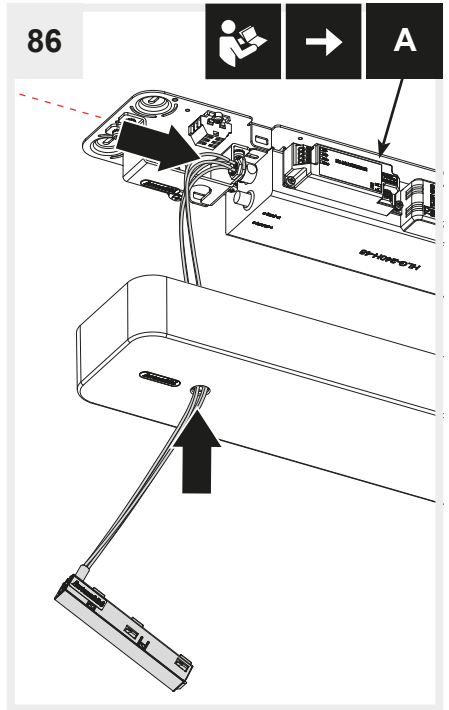
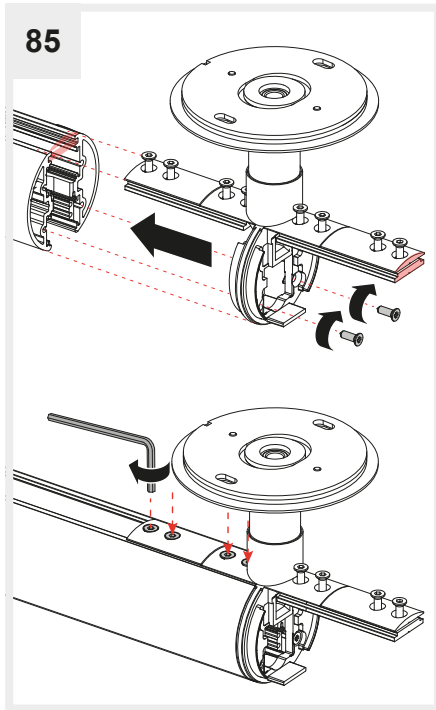
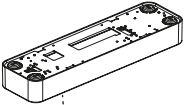
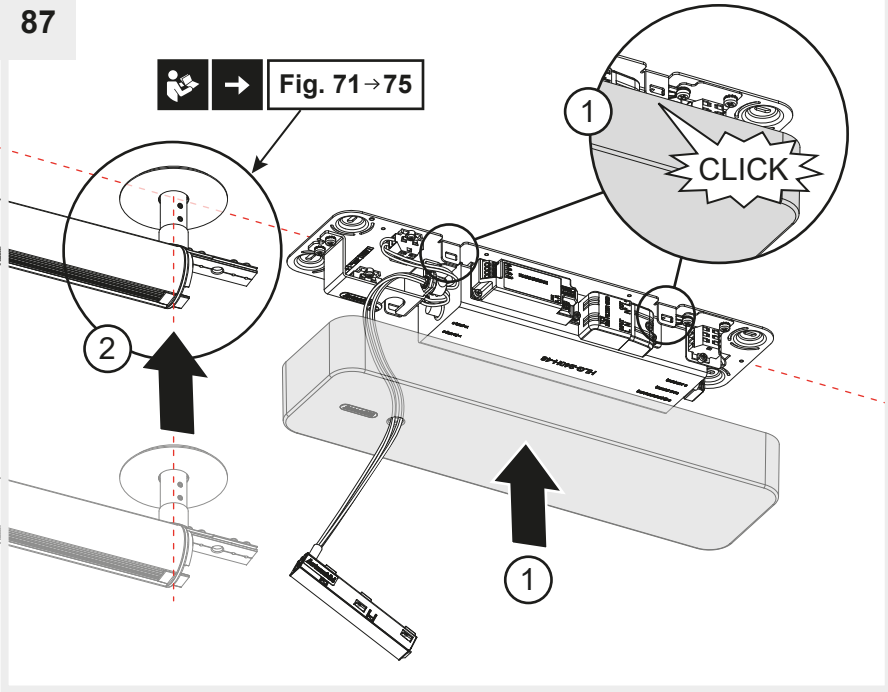
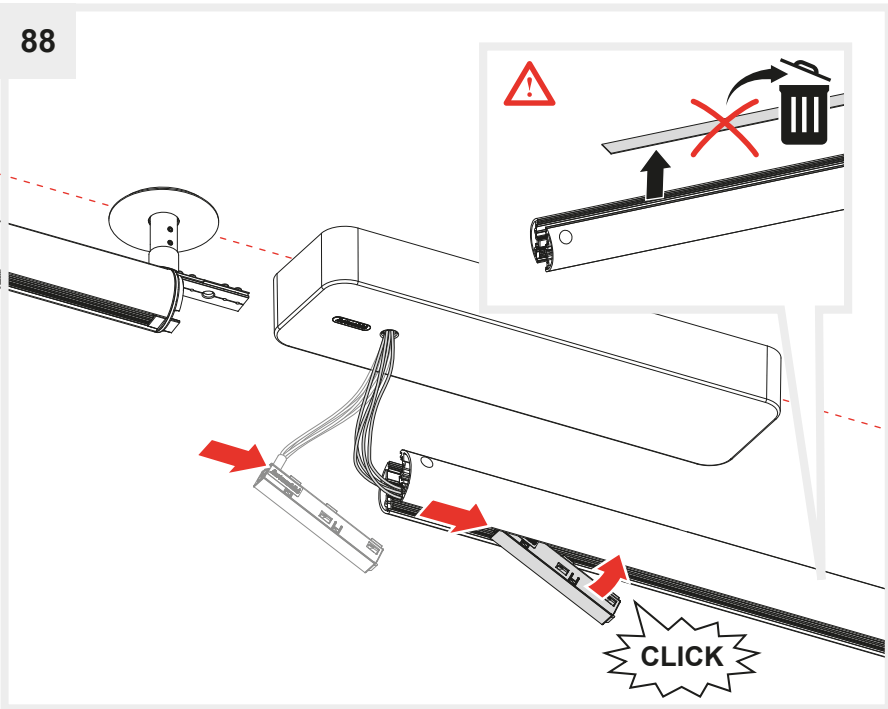


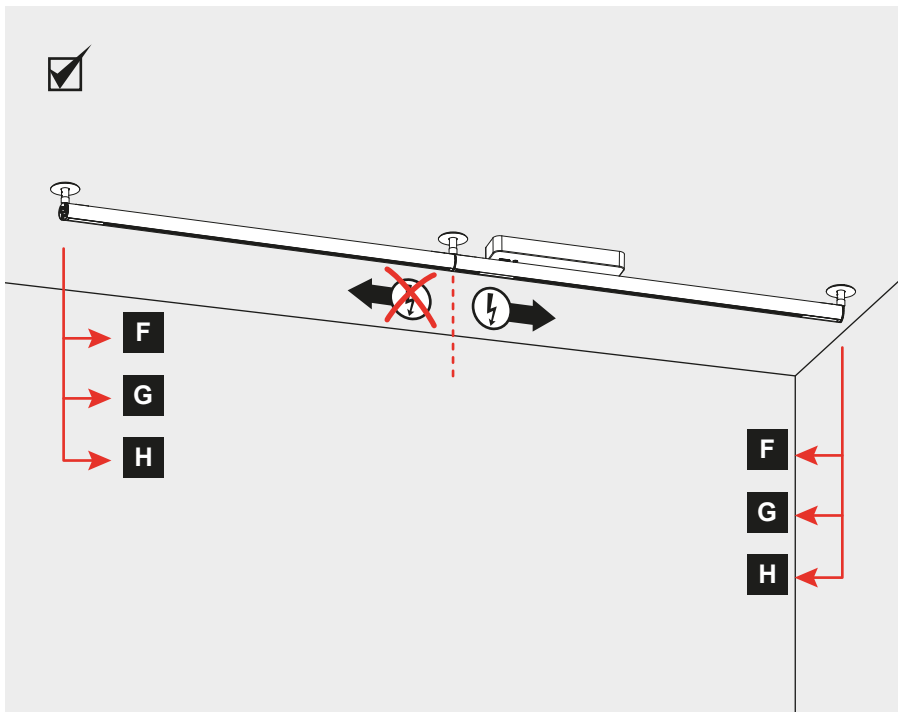
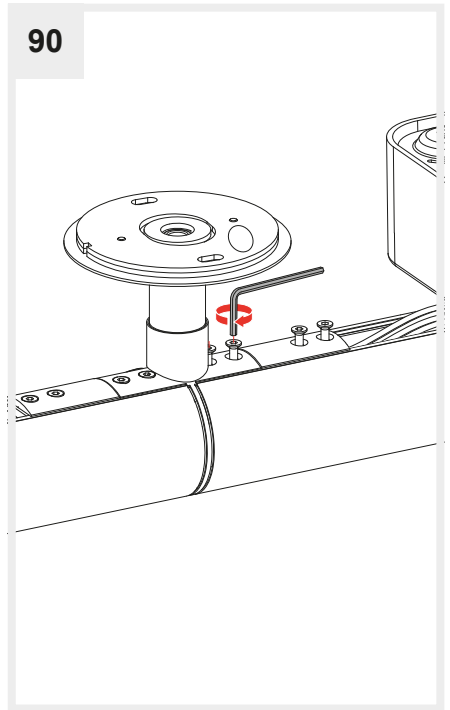
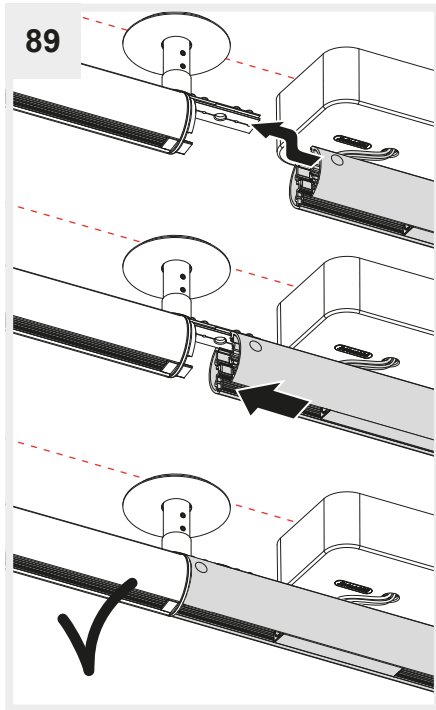
Fig. 77		DALI	 <p>Only for CB50101, CB50104, CB50401, CB50404</p>
		0-10V	
		Potentiometer	
		1-10V	
		Push	
		LV Push	
Fig. 78		On/Off	Only for CB50001, CB50004, CB50301, CB50304
Fig. 79		APP	Only for CB50101APP, CB50104APP, CB50401APP, CB50404APP

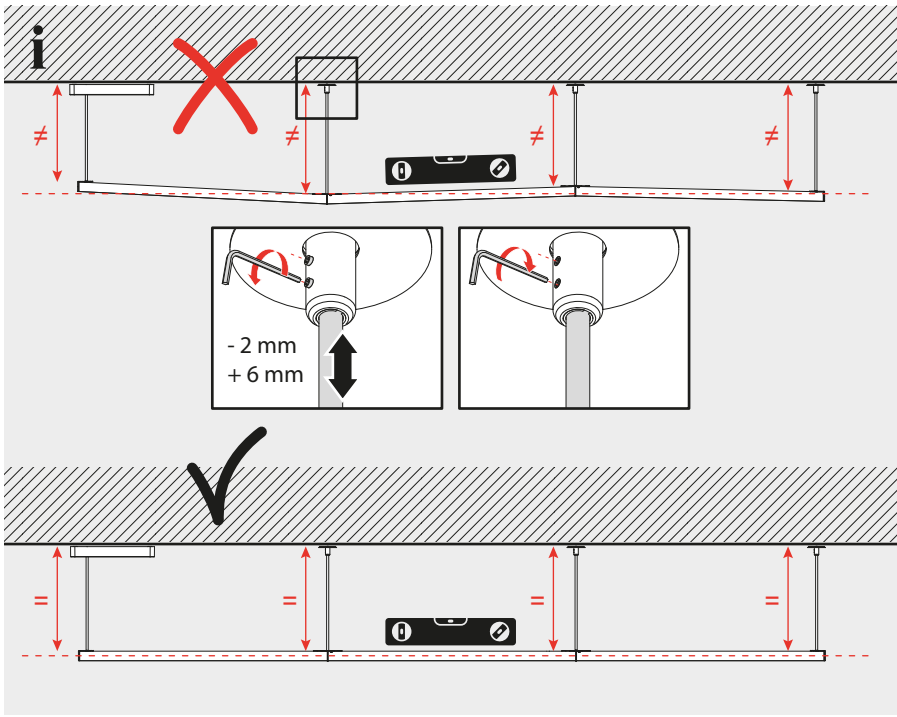
87



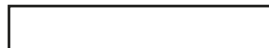
88







Artemide®



Artemide

via Bergamo, 18
20006 Pregnana M.se (MI)
ITALIA

tel. +39 02 935 181
fax +39 02 935 90 254
fax +39 02 935 90 496

www.artemide.com

VAT IT00846890150

cod. Y513001589C