

# Artemide®

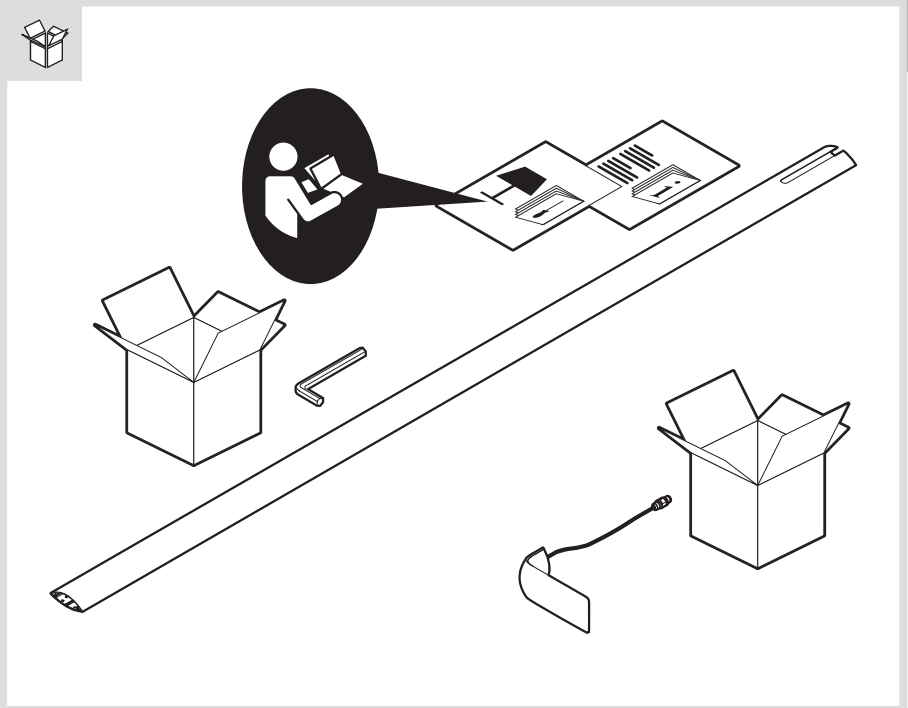
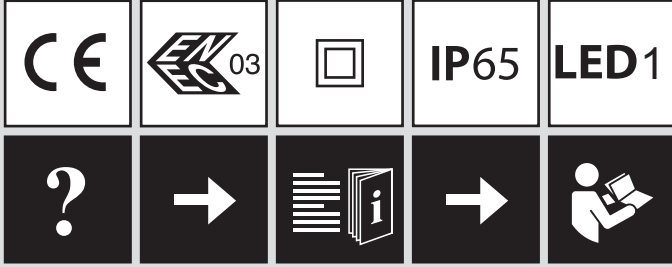
## Hila 350

design  
Carlo Colombo

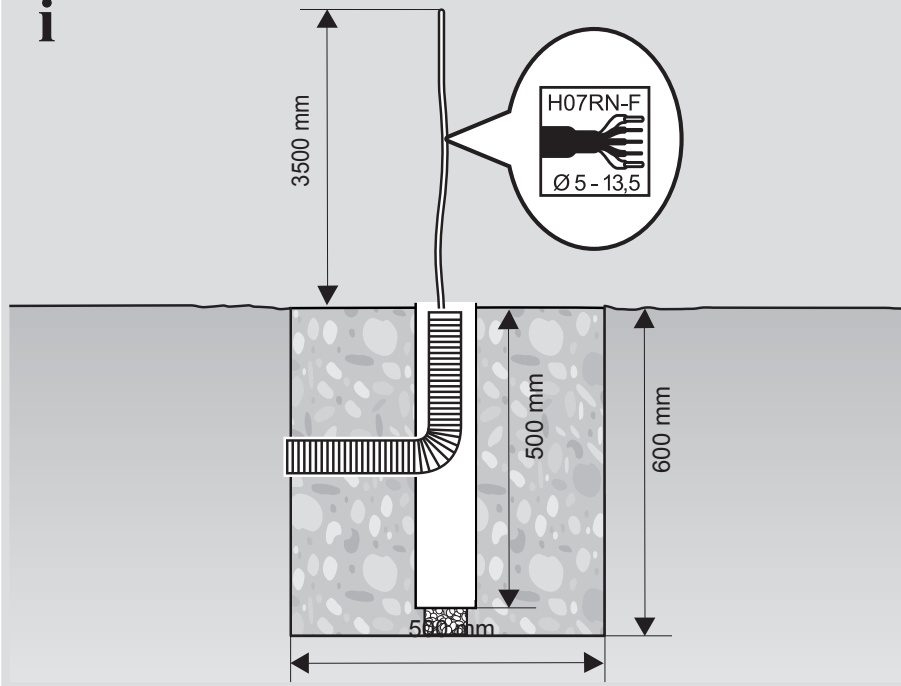




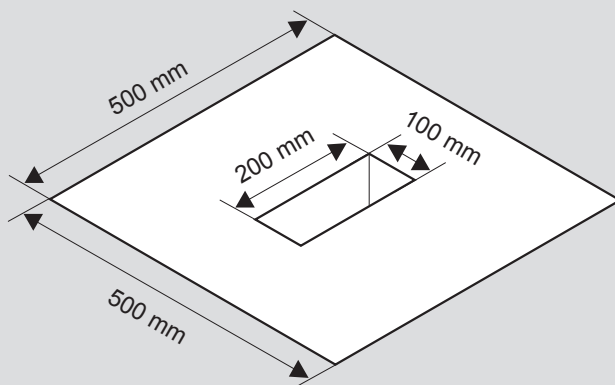
i

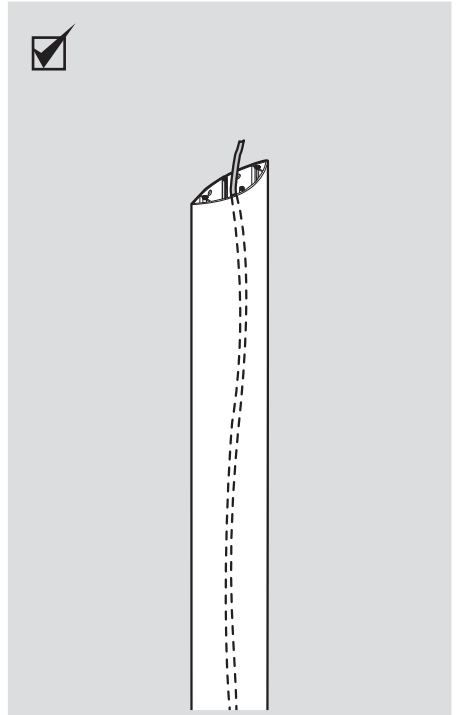
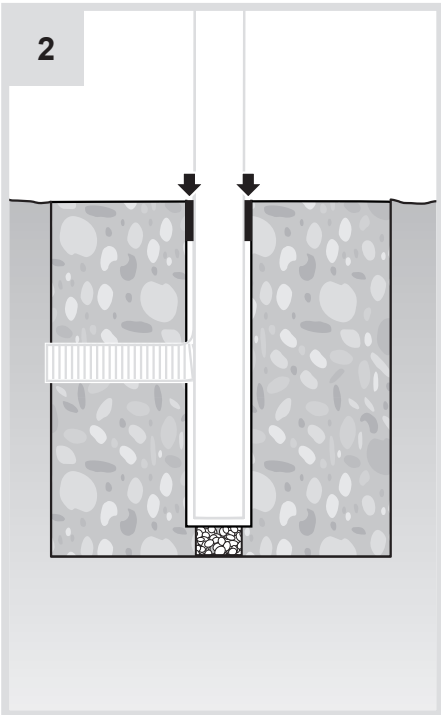
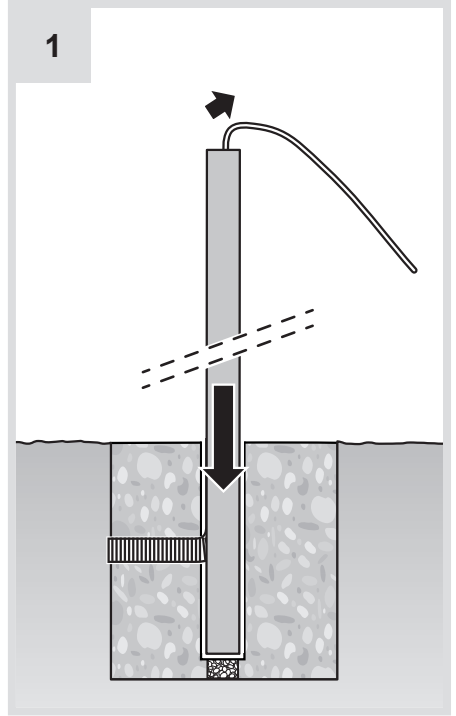
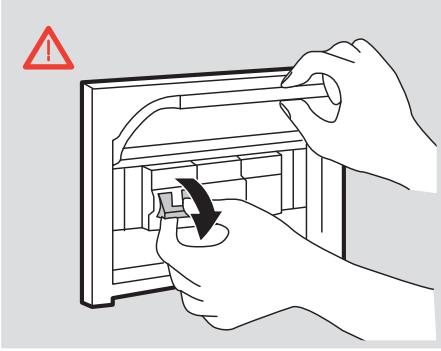


**i**

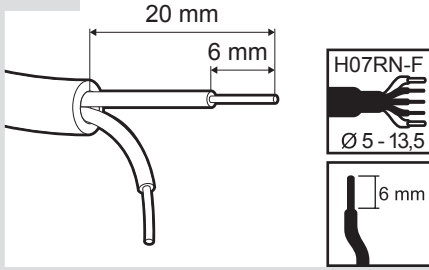


**i**

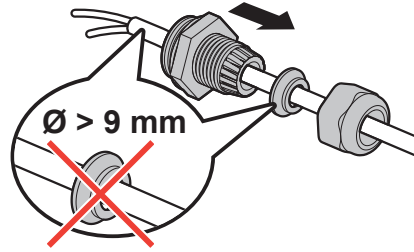




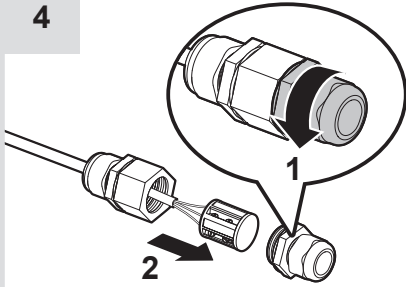
3



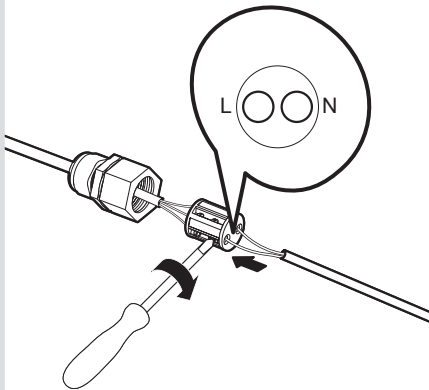
5



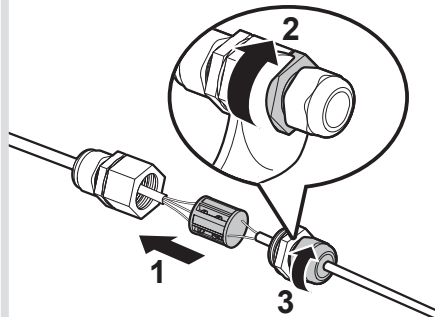
4



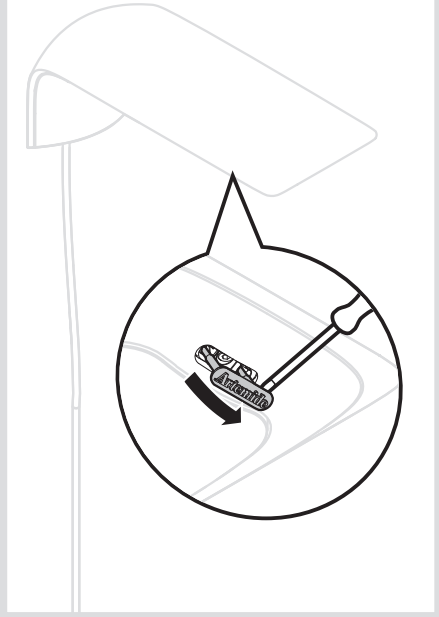
6



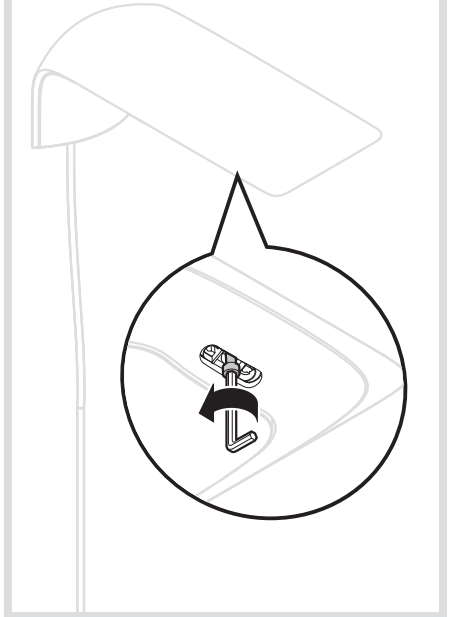
7



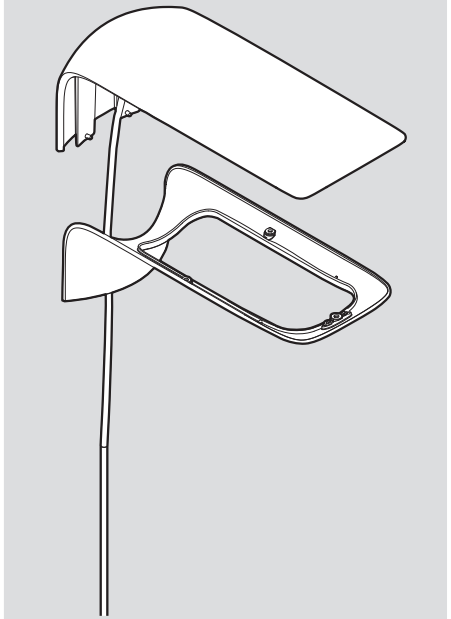
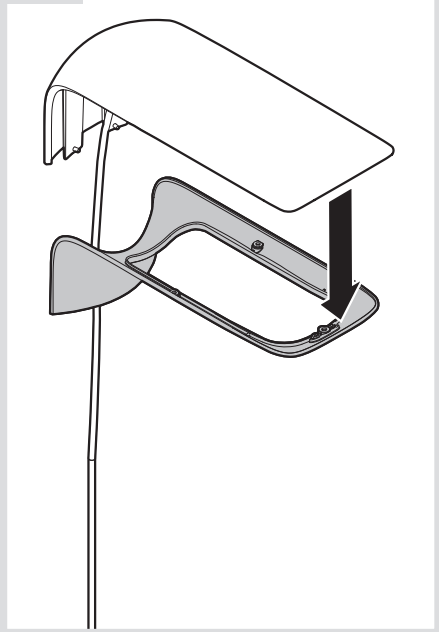
8



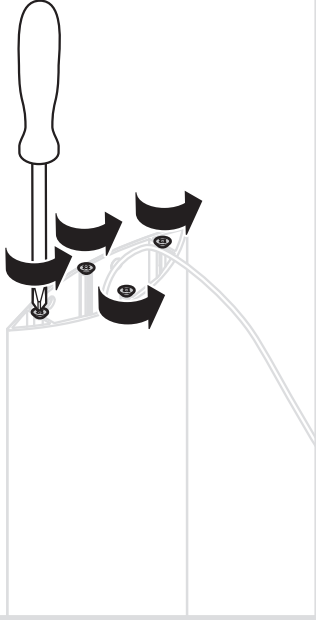
9



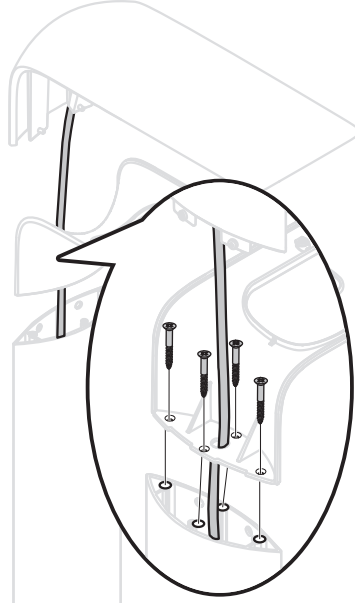
10



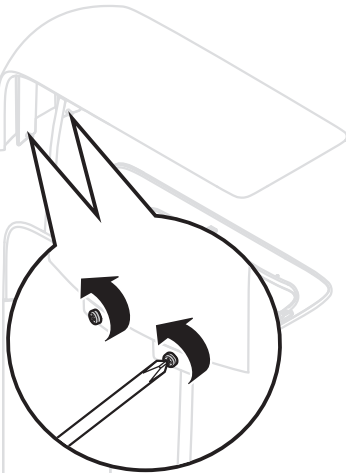
11



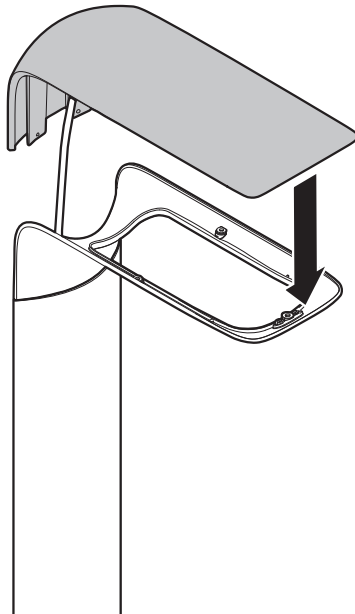
12



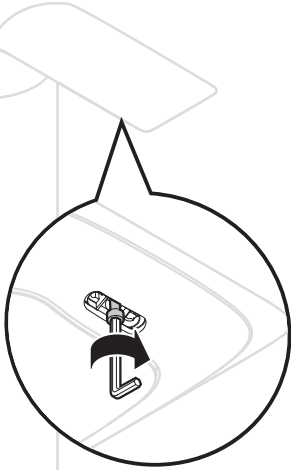
13



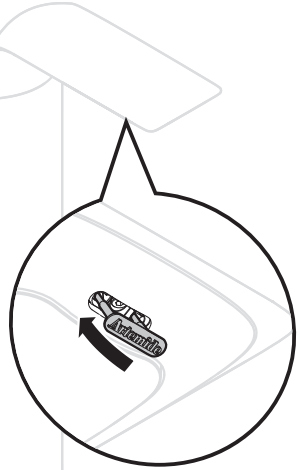
14



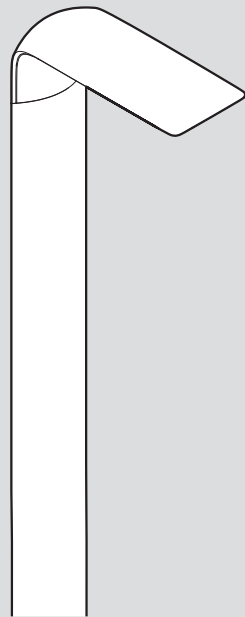
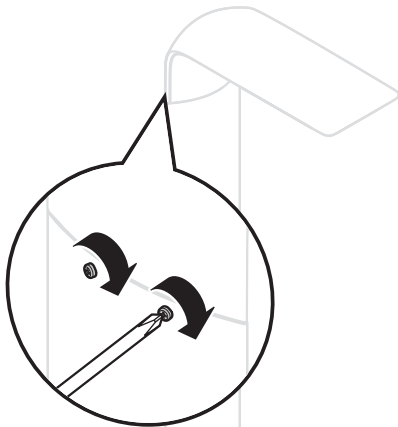
15



16



17

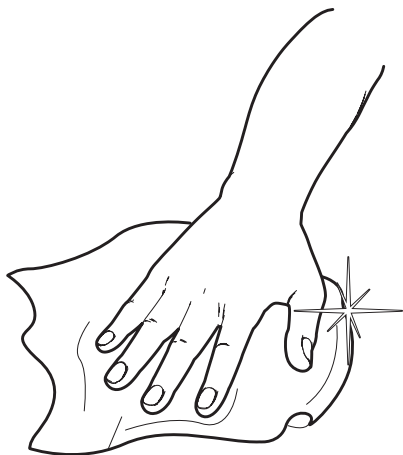




i



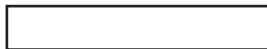
1







**Artemide®**



## **Artemide**

via Bergamo, 18  
20010 Pregnana M.se (MI)  
ITALIA

tel. +39 02 935 181  
fax +39 02 935 90 254  
fax +39 02 935 90 496

[www.artemide.com](http://www.artemide.com)

VAT IT00846890150

cod. Y513000059