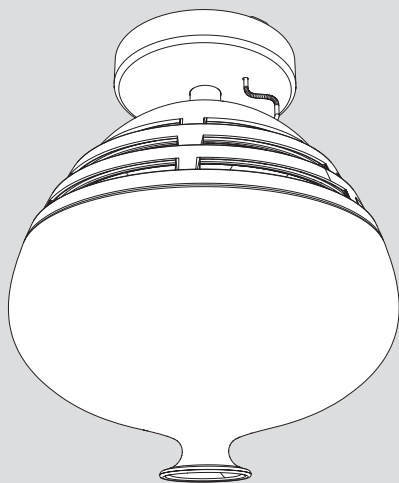
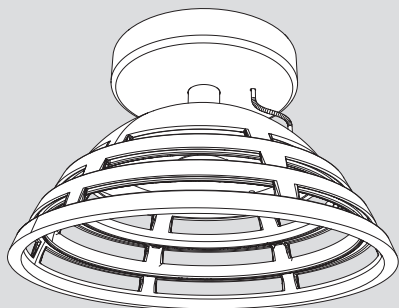
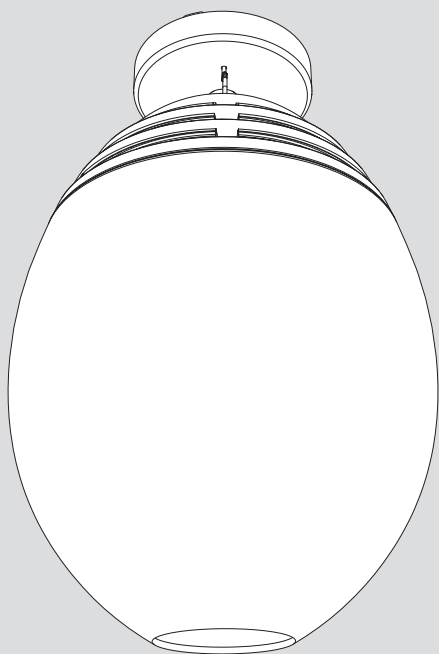


# Artemide®

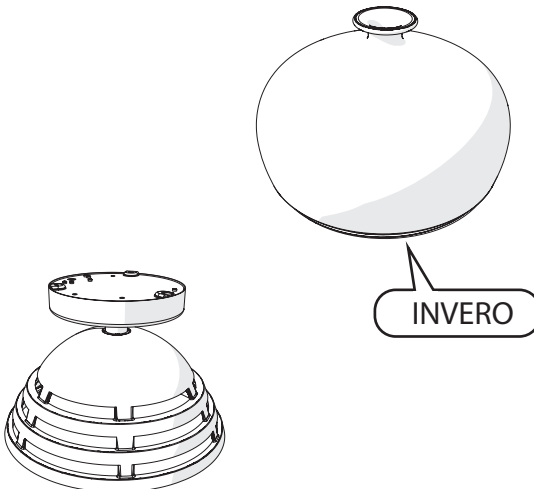
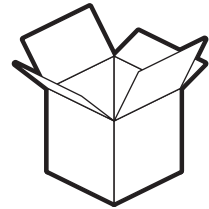
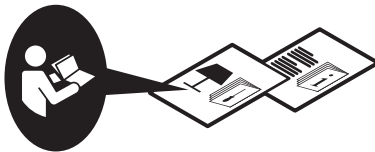
## Incalmo / Incipit / Invero

design  
C. de Bevilacqua

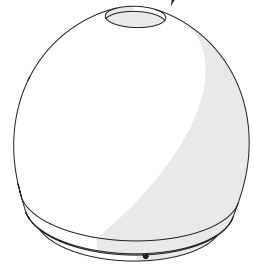




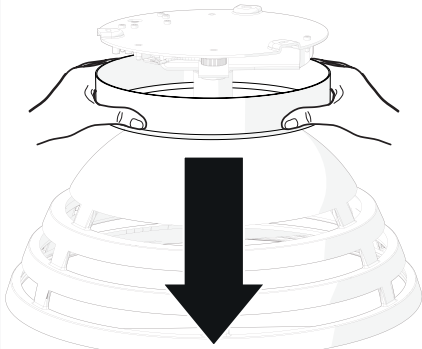
i



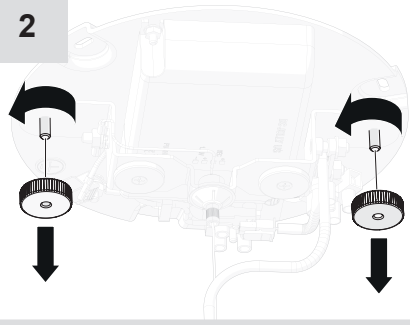
INCALMO



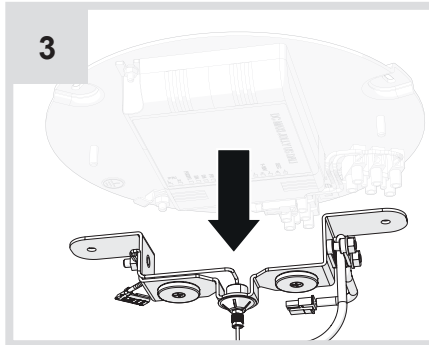
1



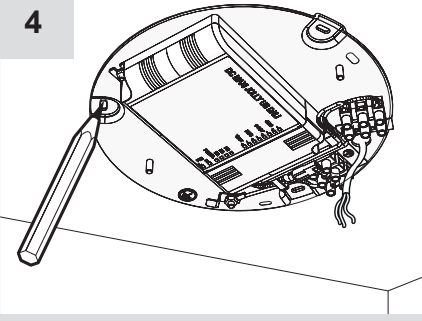
2



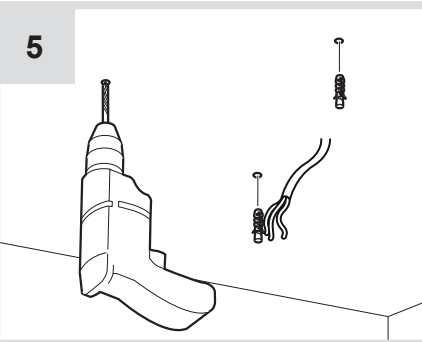
3



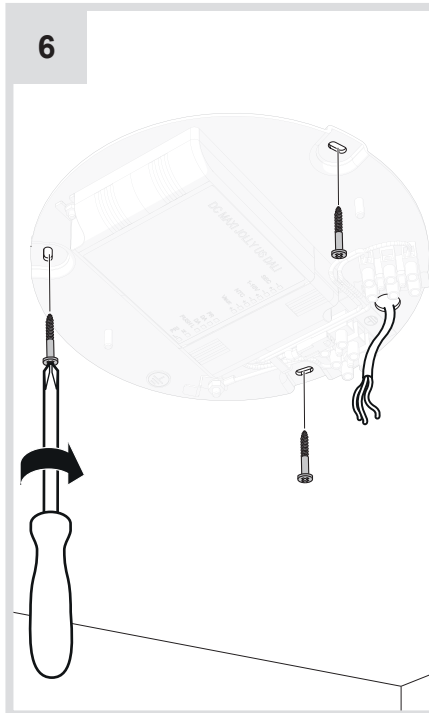
4



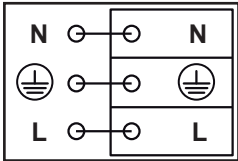
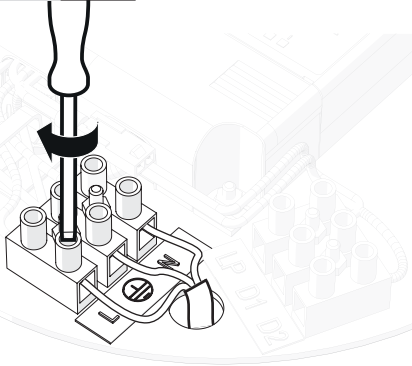
5



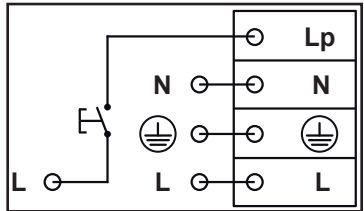
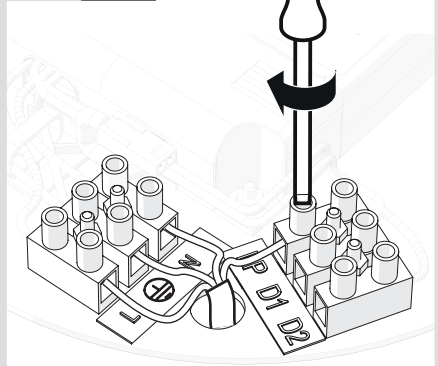
6



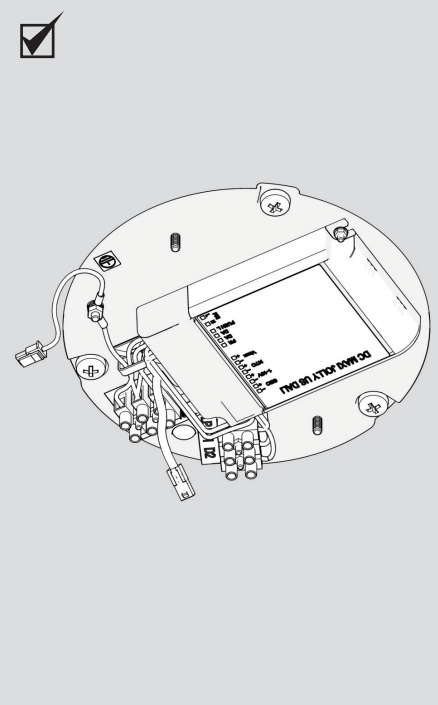
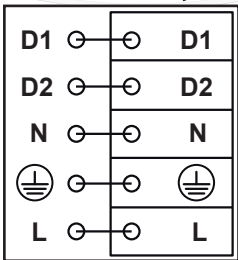
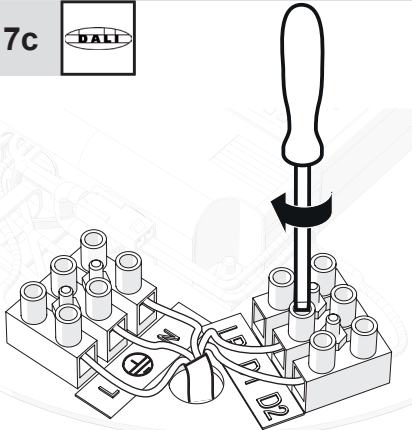
7a



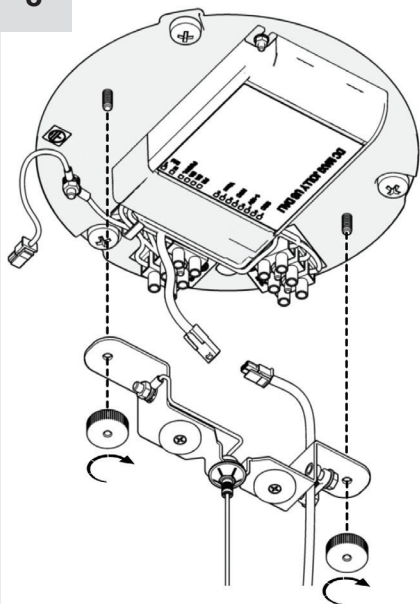
7b



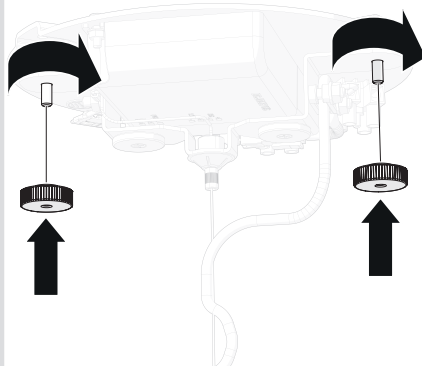
7c



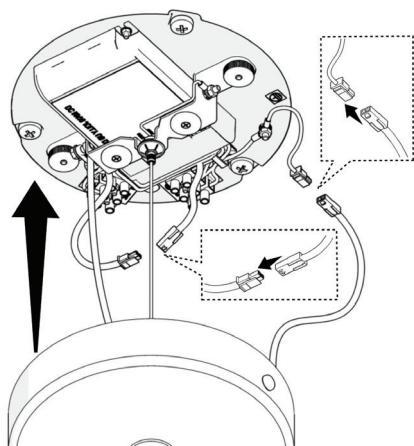
8



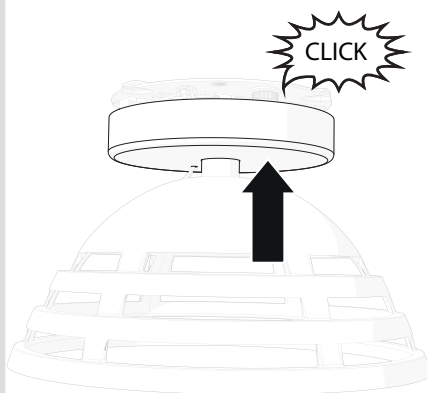
9

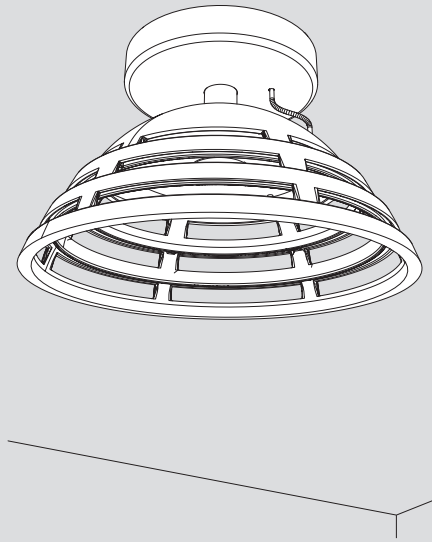


10

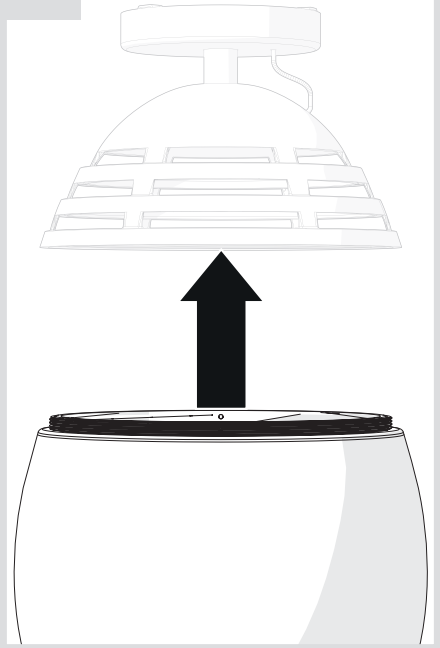


11

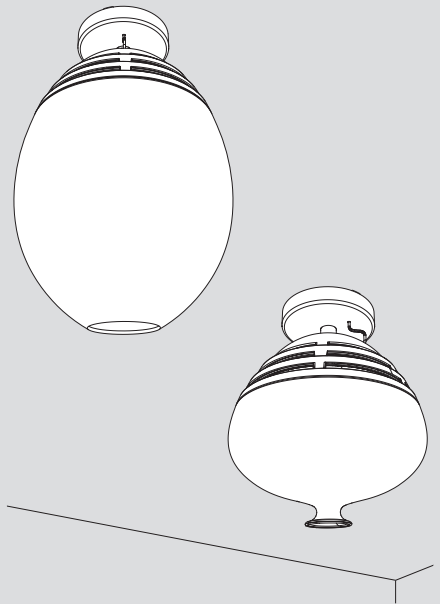
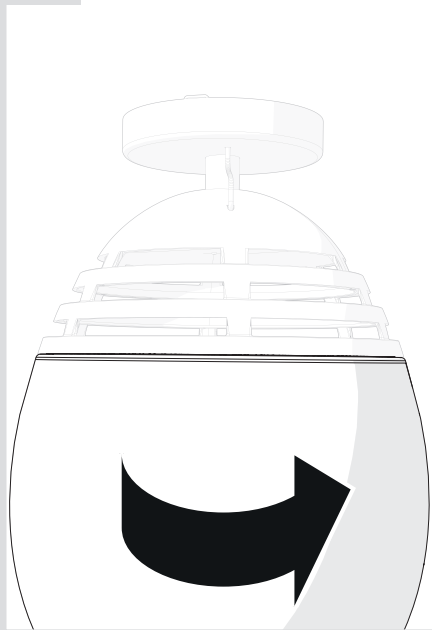


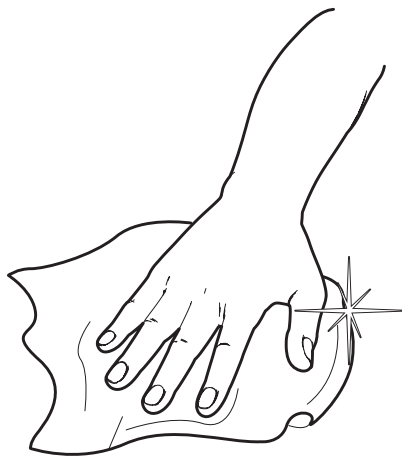


12



13





**Artemide**<sup>®</sup>  
ARCHITECTURAL



## **Artemide Spa**

via Bergamo, 18  
20010 Pregnana M.se (MI)  
ITALIA

Tel. +39 02 935 181  
Fax +39 02 935 90 254  
Fax +39 02 935 90 496

[www.artemide.com](http://www.artemide.com)

VAT IT00846890150

cod. Y513000450B