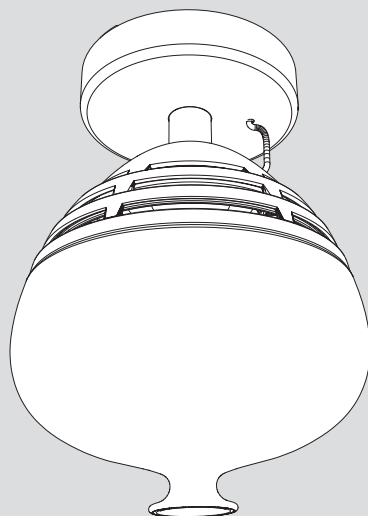
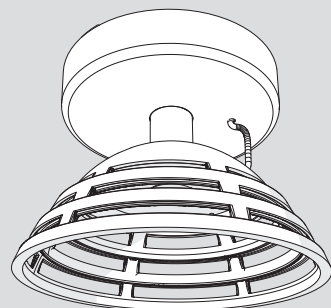
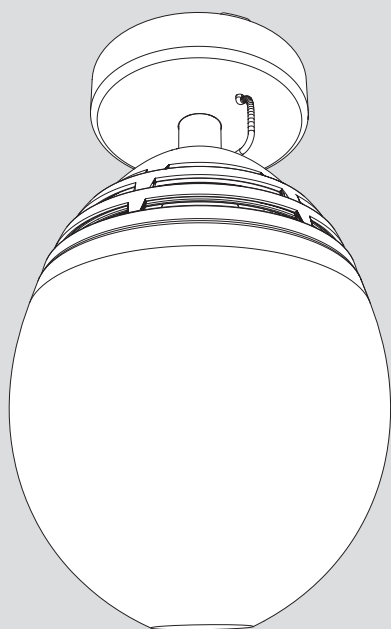


Artemide®

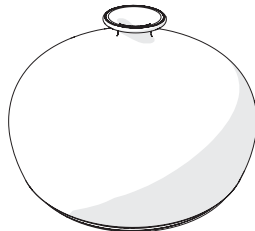
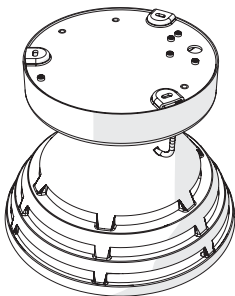
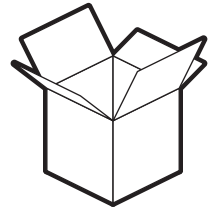
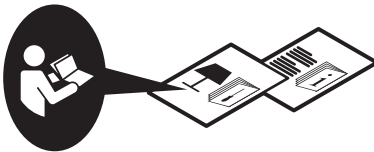
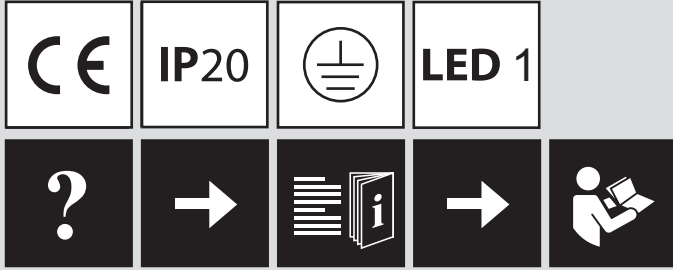
Incalmo / Incipit / Invero 214

design
C. de Bevilacqua



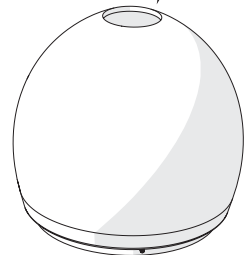


i

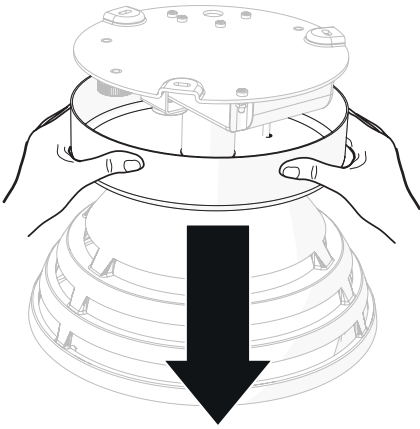


INVERO

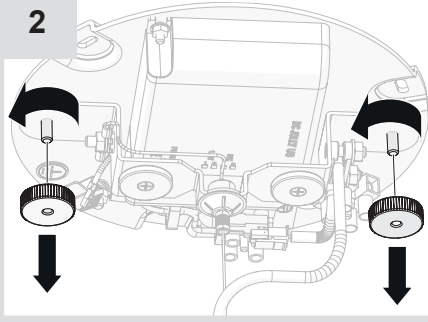
INCALMO



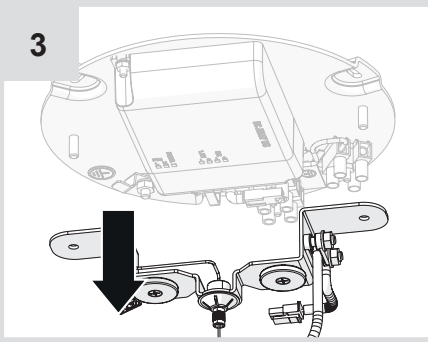
1



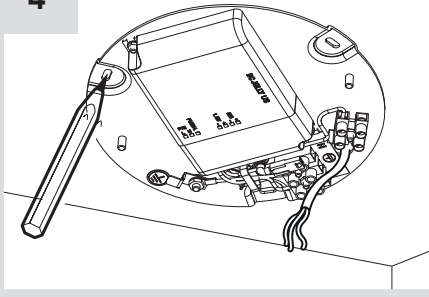
2



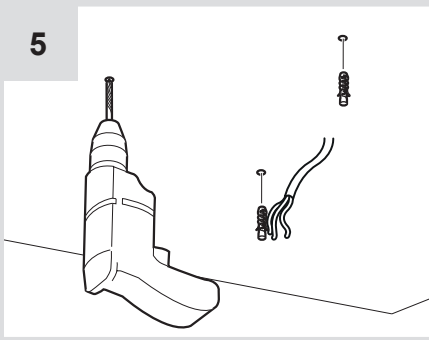
3



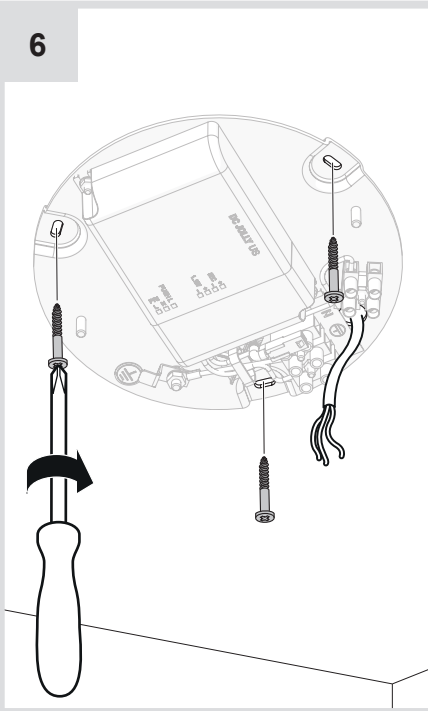
4

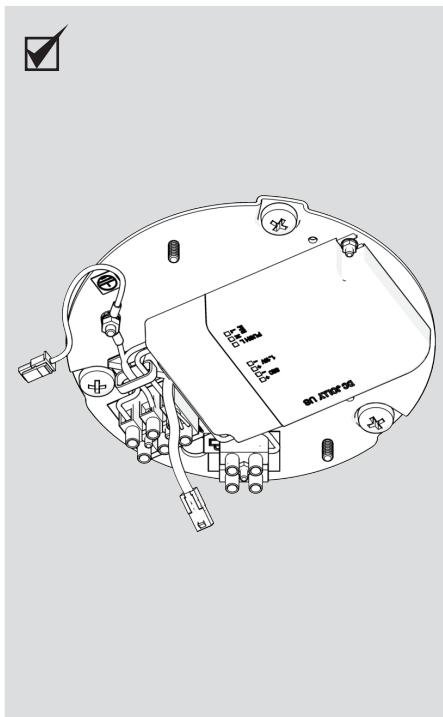
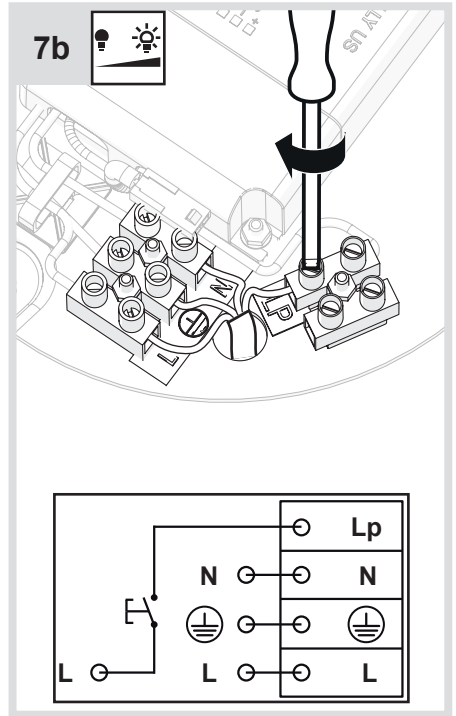
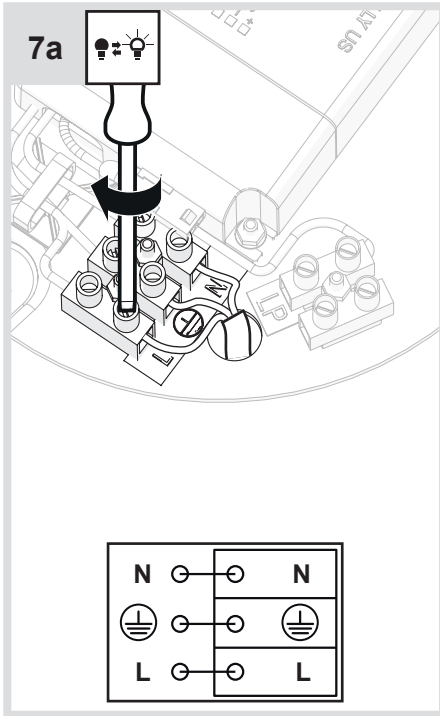


5

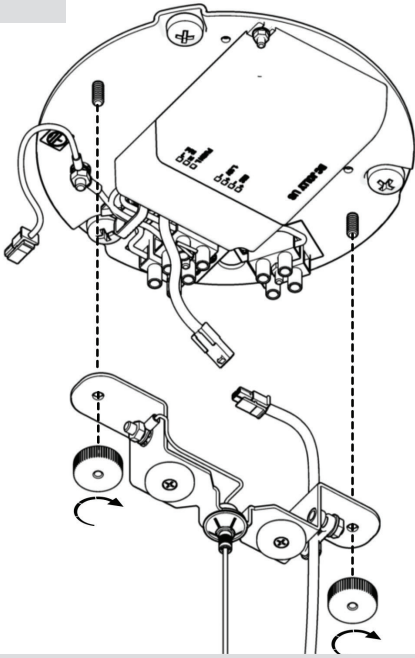


6

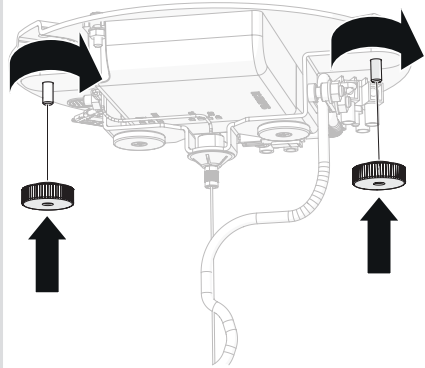




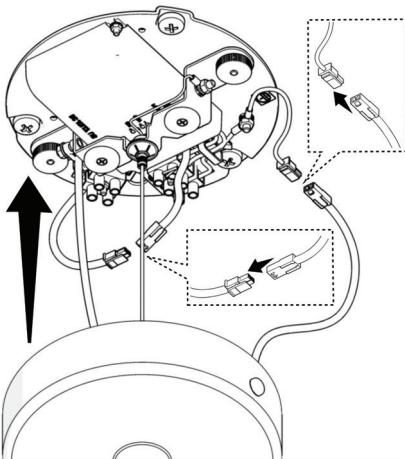
8



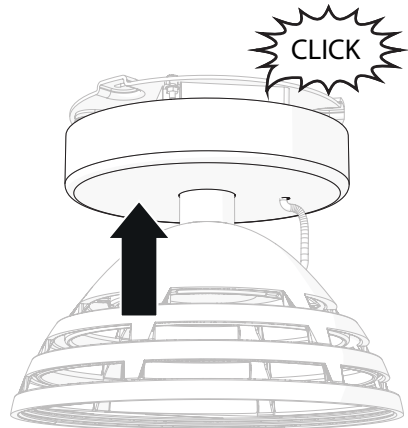
9

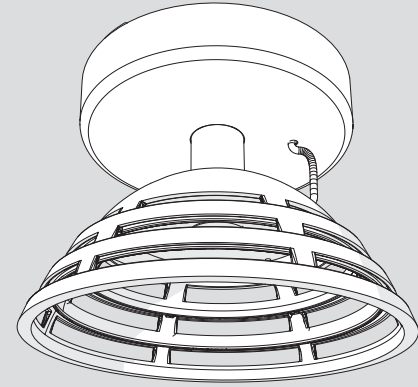


10

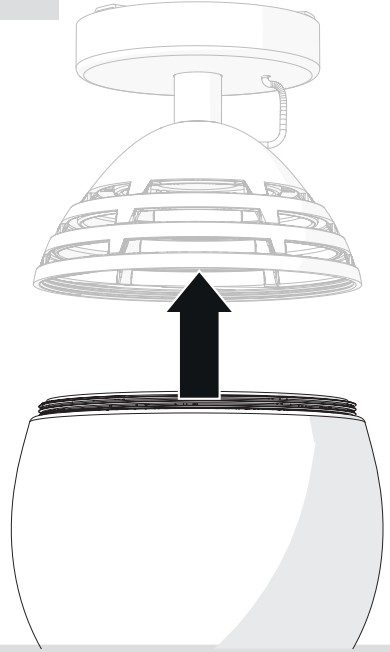


11

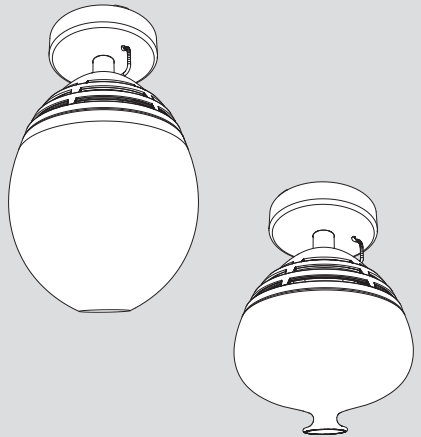
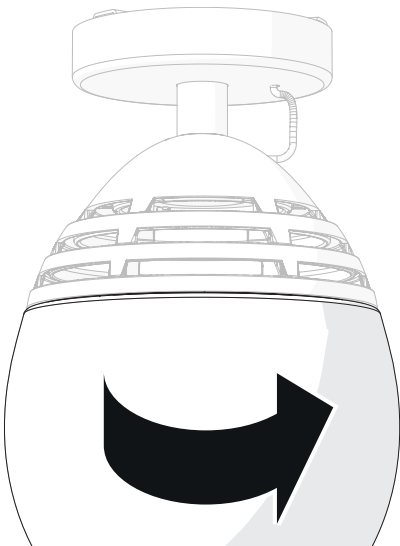


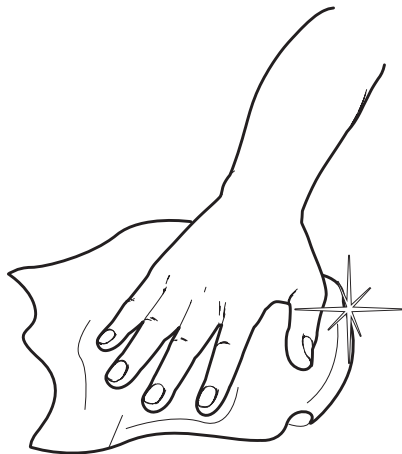


12



13





Artemide[®]
ARCHITECTURAL



Artemide

via Bergamo, 18
20010 Pregnana M.se (MI)
ITALIA

tel. +39 02 935 181
fax +39 02 935 90 254
fax +39 02 935 90 496

www.artemide.com

VAT IT00846890150

cod. Y513000449