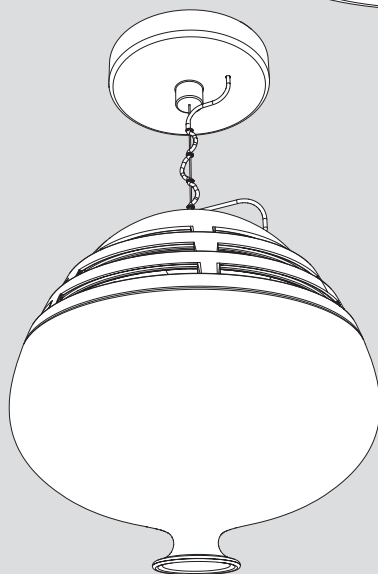
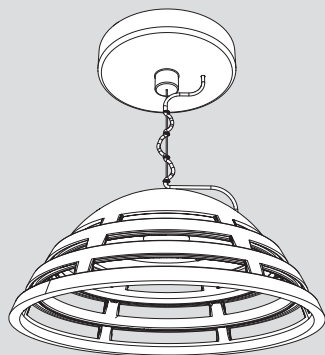
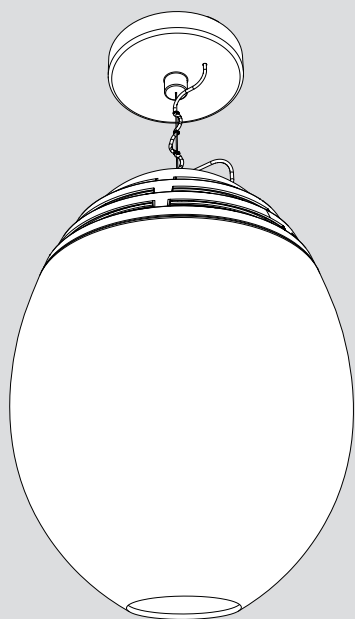


Artemide®

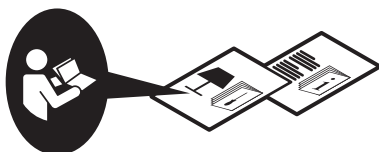
Incalmo / Incipit / Invero

design
C. de Bevilacqua

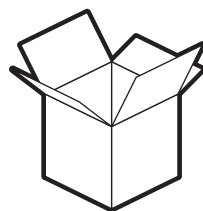
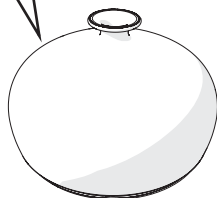




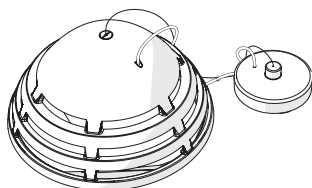
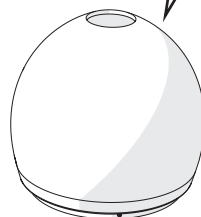
i



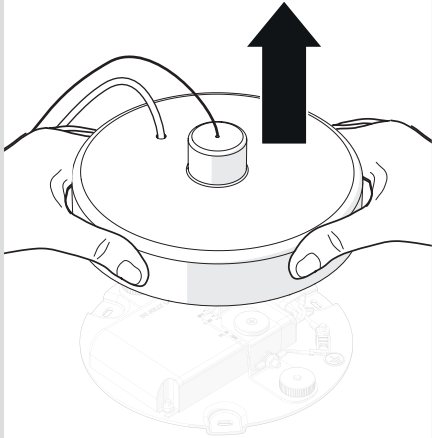
INVERO



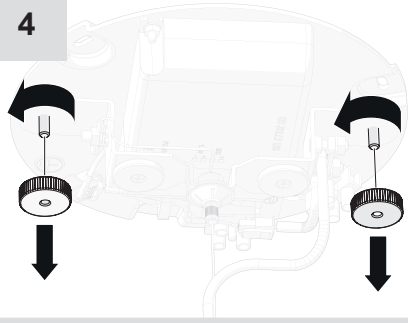
INCALMO



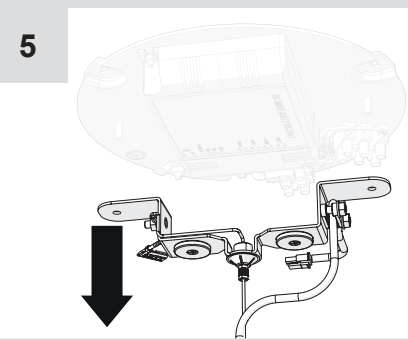
1



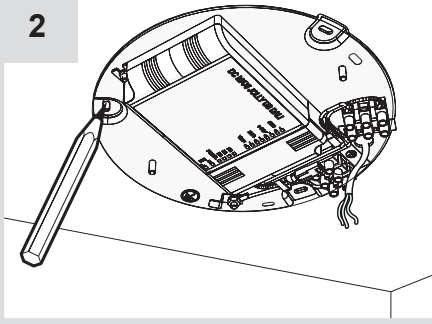
4



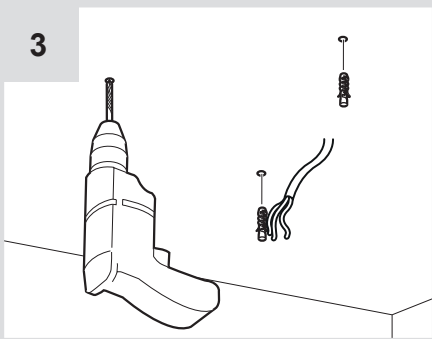
5



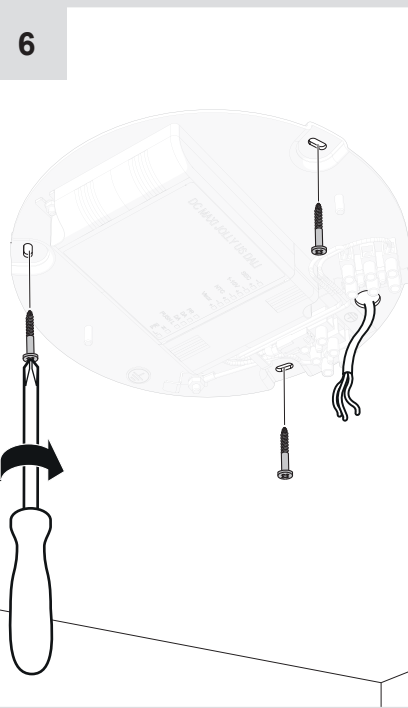
2



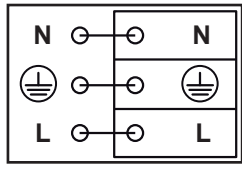
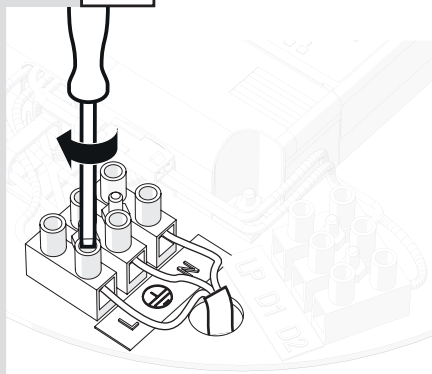
3



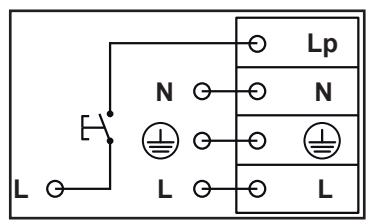
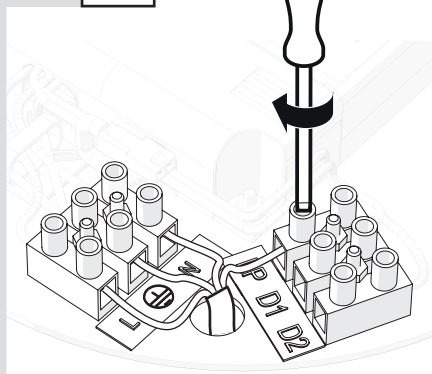
6



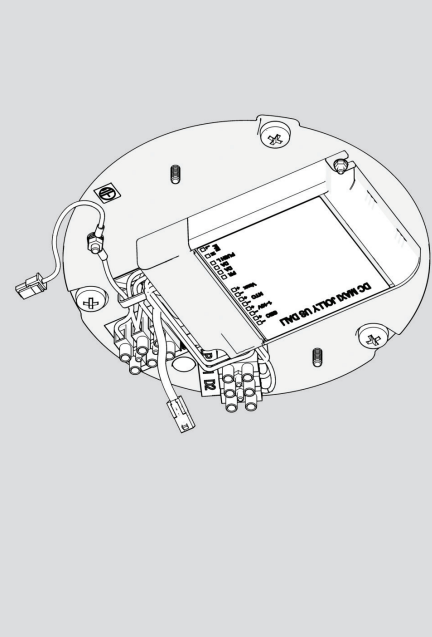
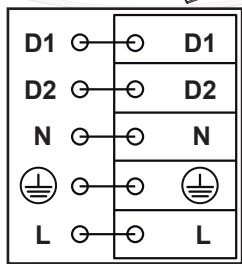
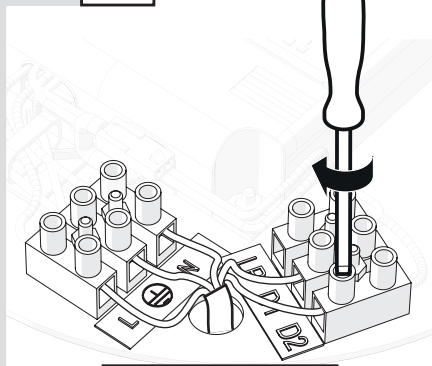
7a



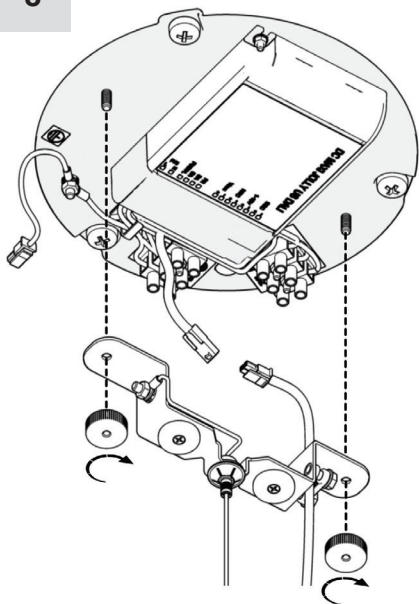
7b



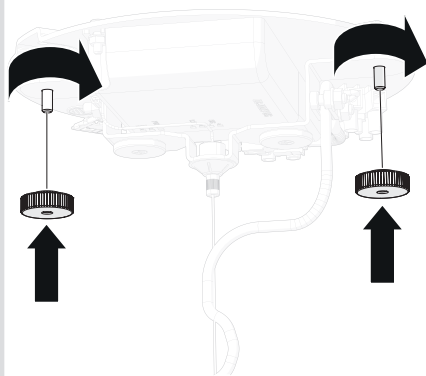
7c



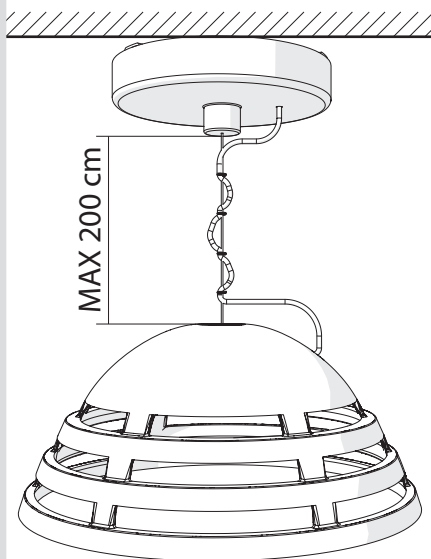
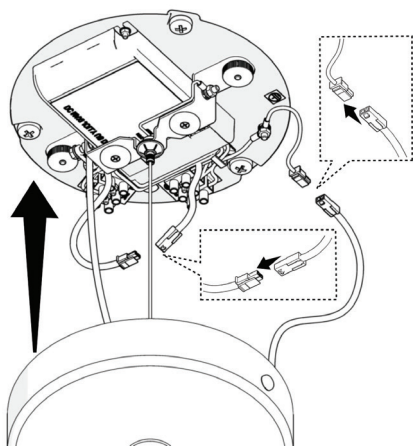
8



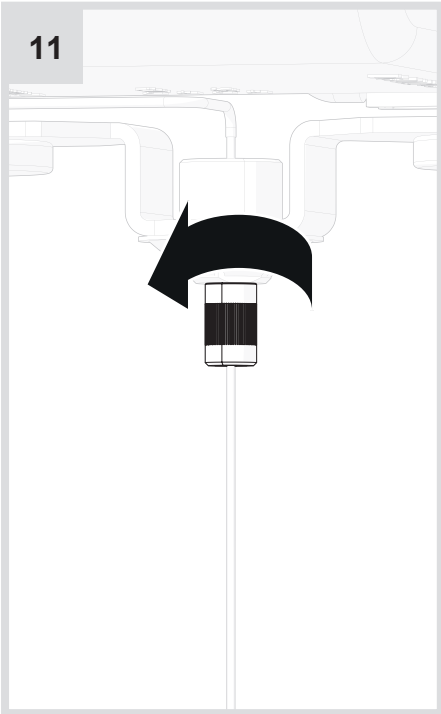
9



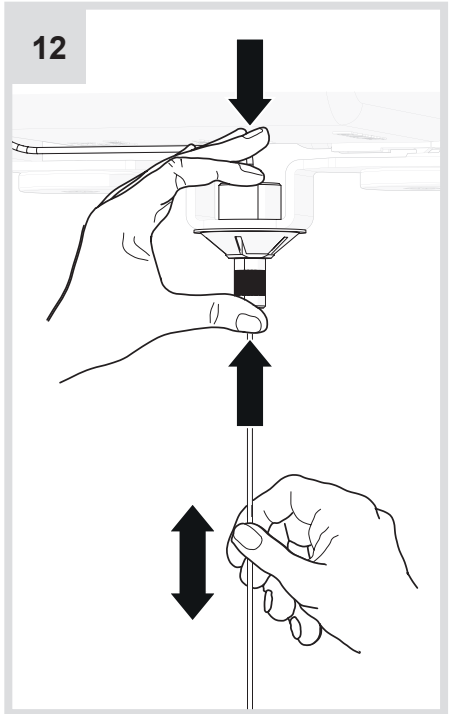
10



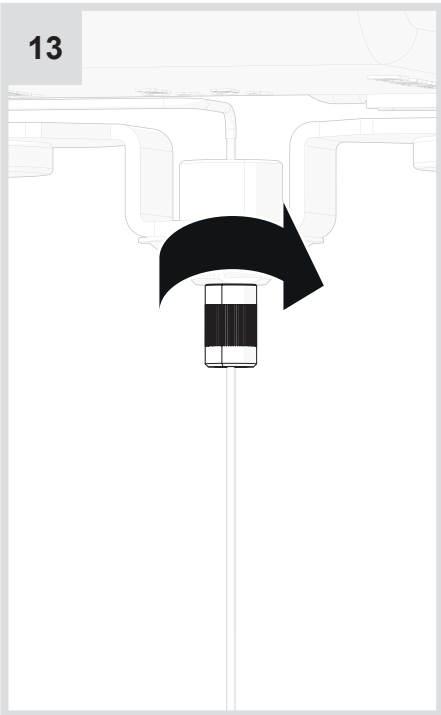
11



12

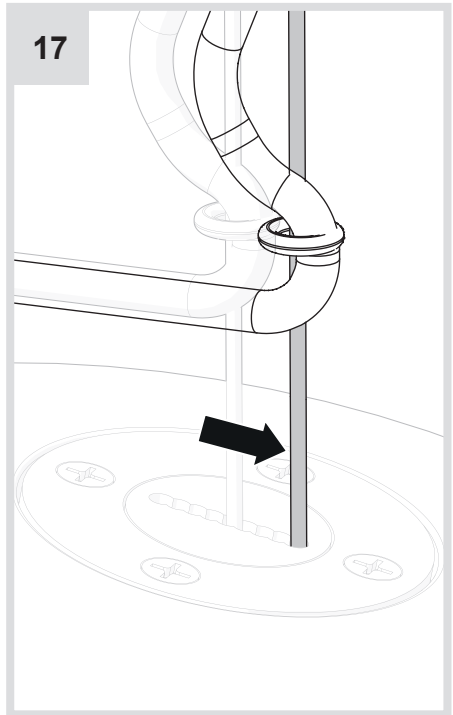
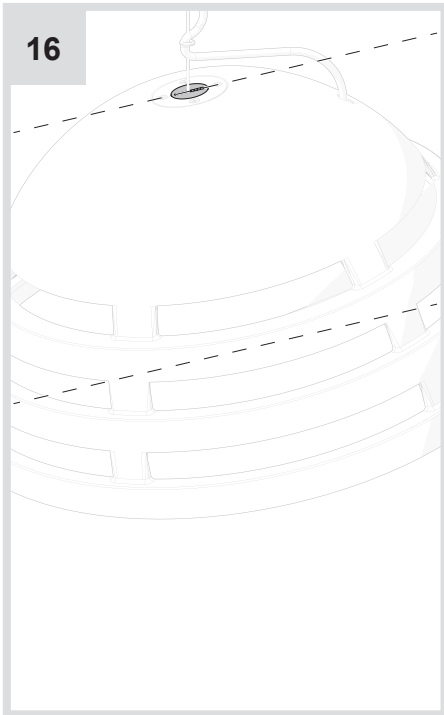
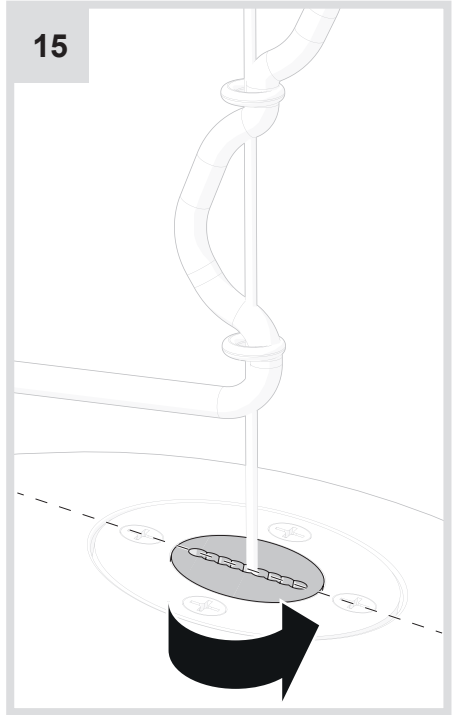
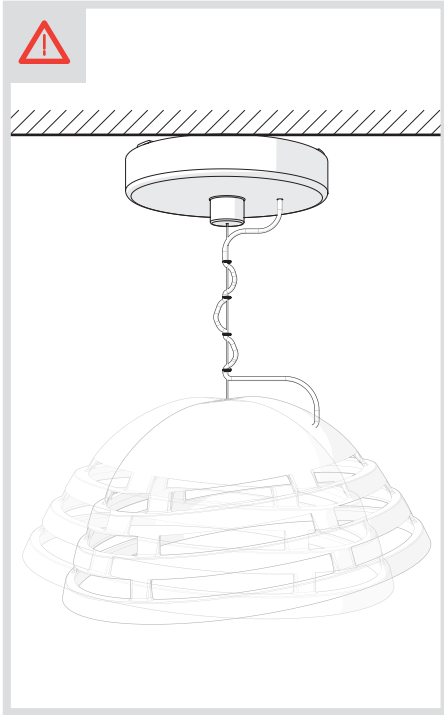


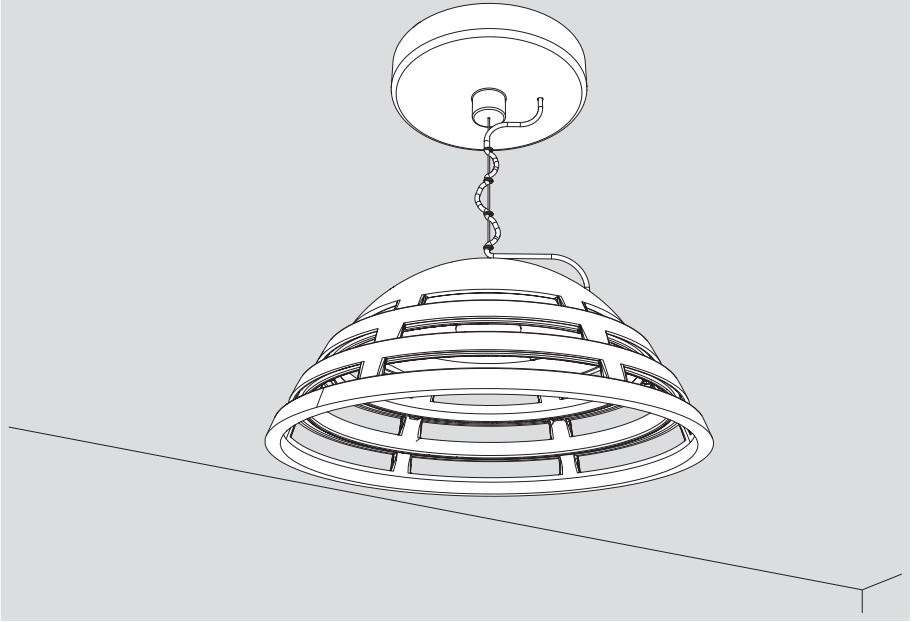
13



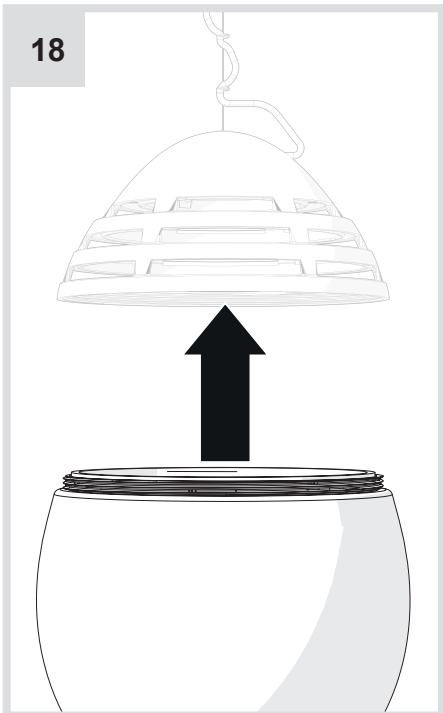
14



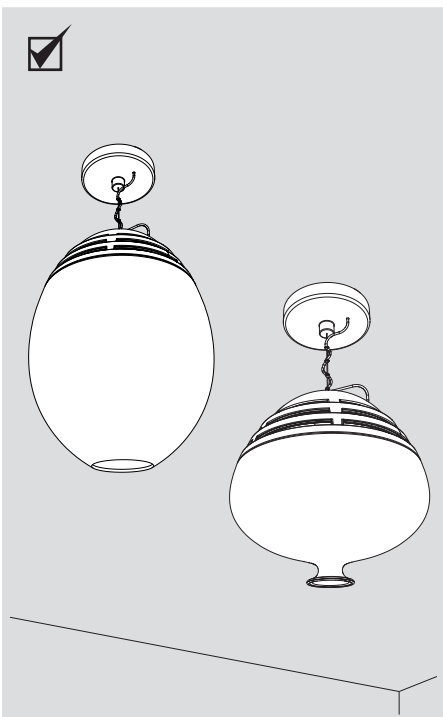
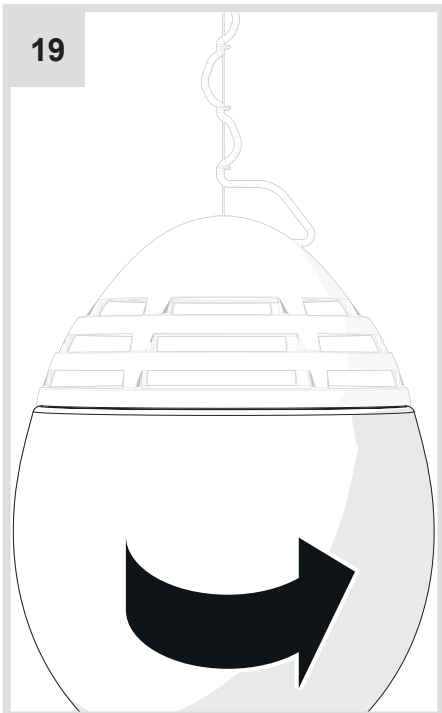


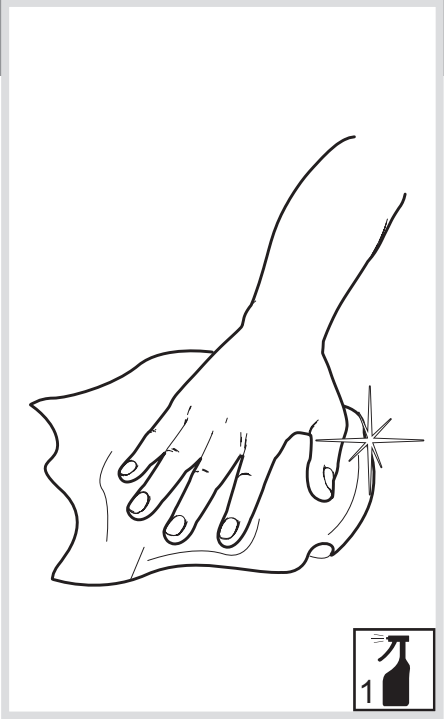
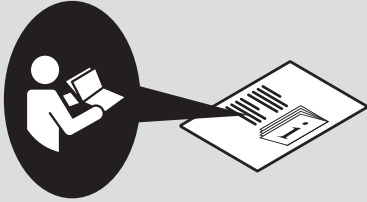


18



19





Artemide[®]
ARCHITECTURAL



Artemide Spa

via Bergamo, 18
20010 Pregnana M.se (MI)
ITALIA

Tel. +39 02 935 181
Fax +39 02 935 90 254
Fax +39 02 935 90 496

www.artemide.com

VAT IT00846890150

cod. Y513000452B