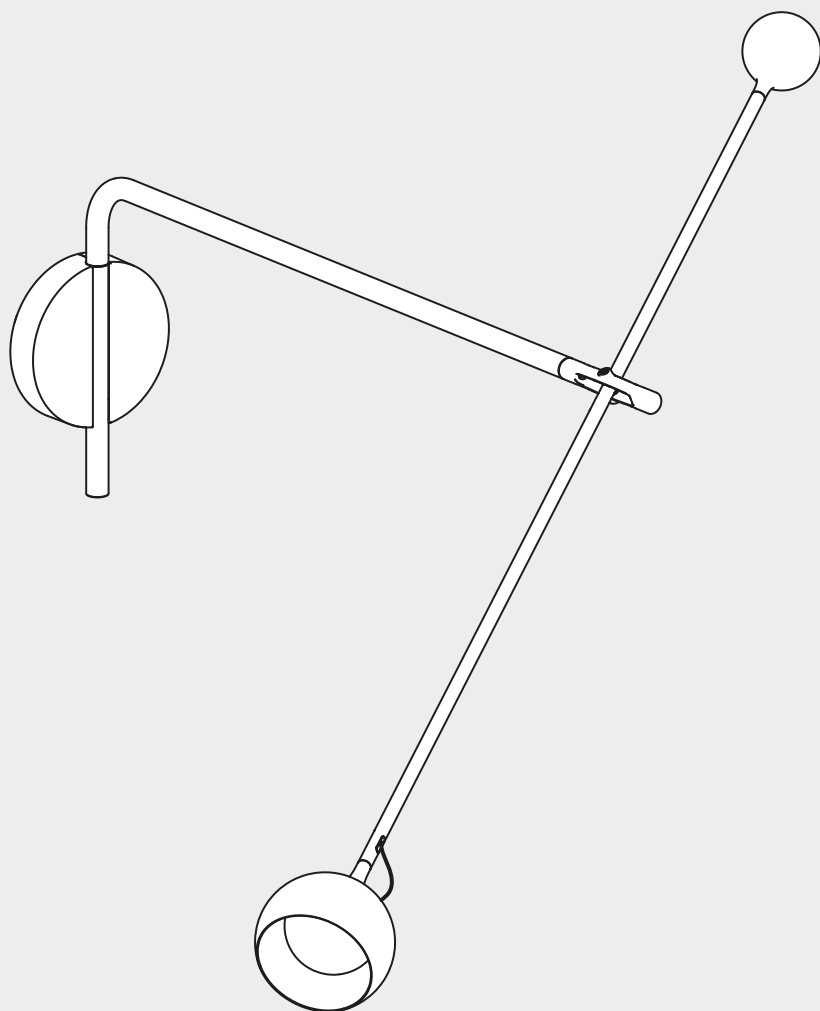


# Artemide®

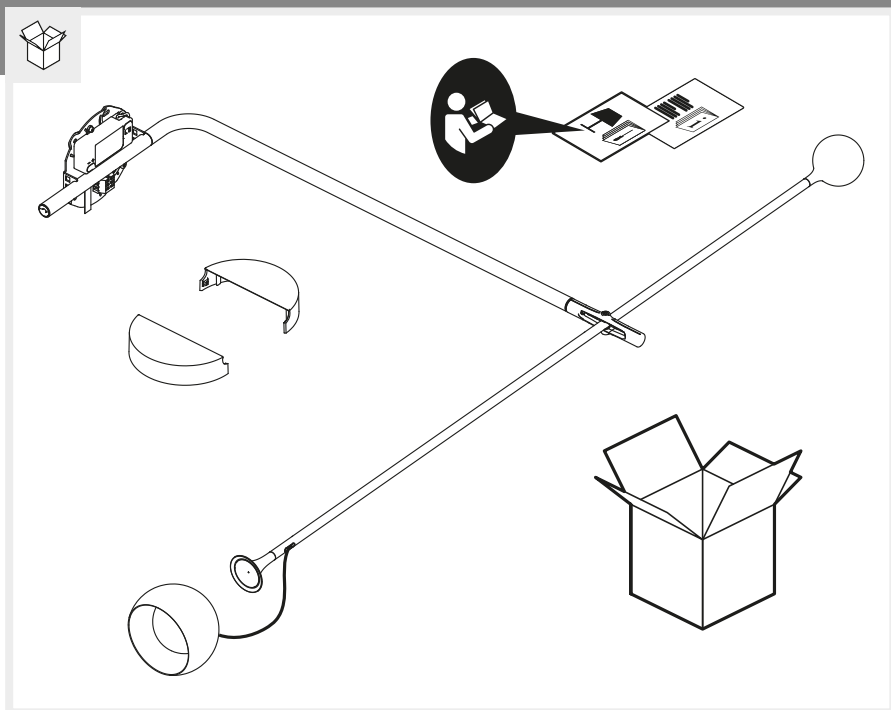
## IXA ARM

design  
Foster & Partners

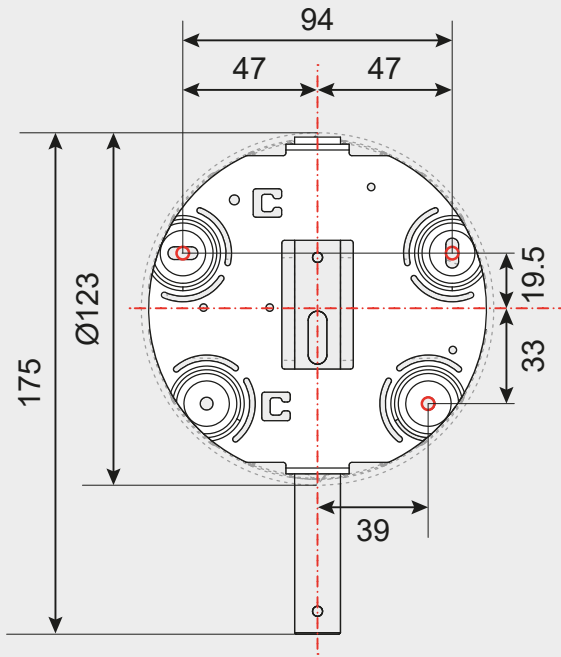




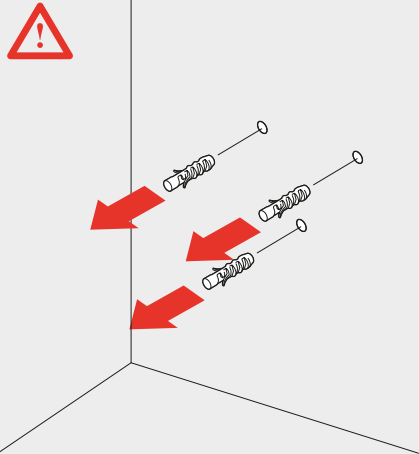
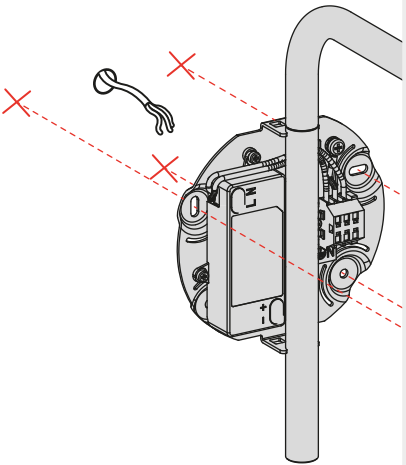
i

**i**

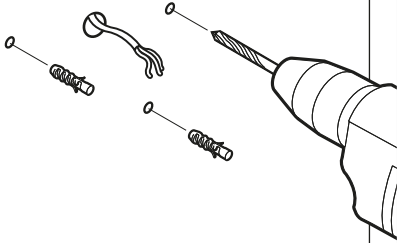


**1**

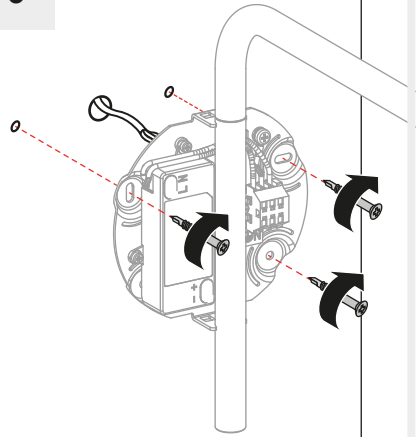


**! 500 N**

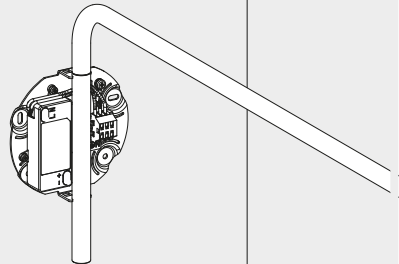
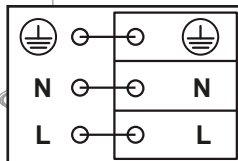
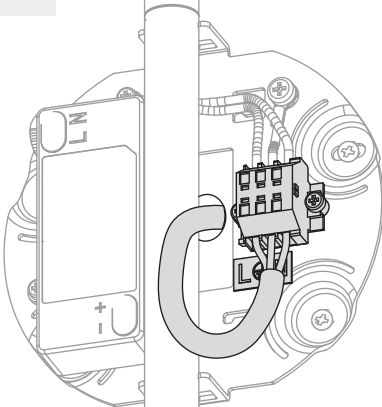
2



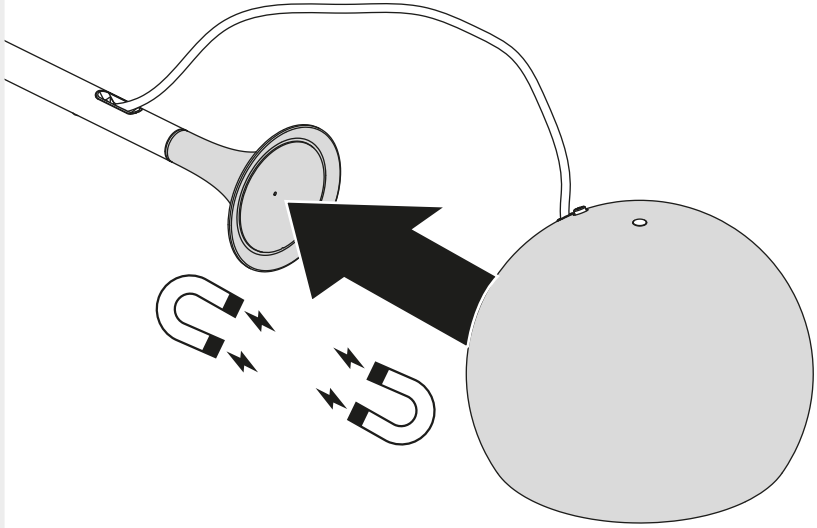
3



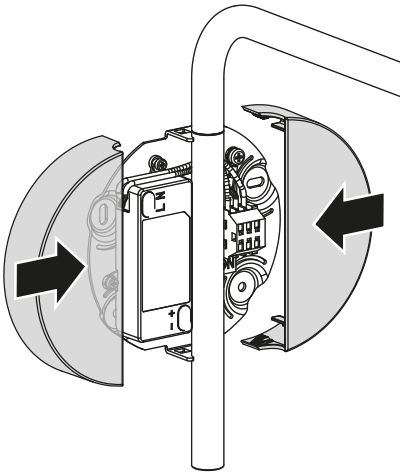
4



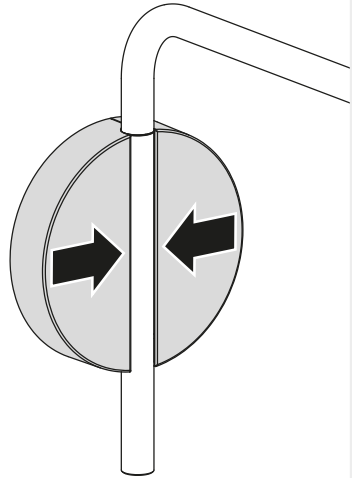
5



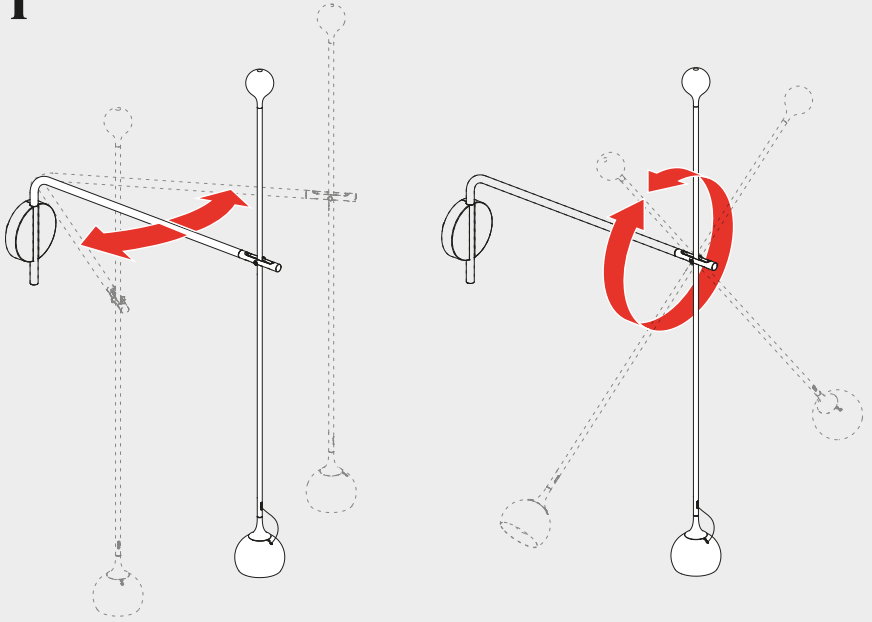
6



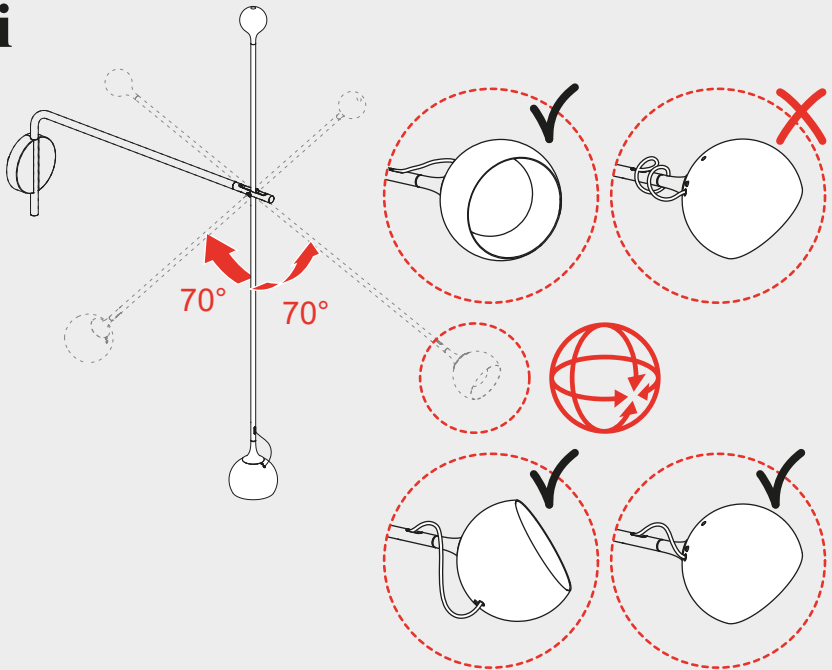
7

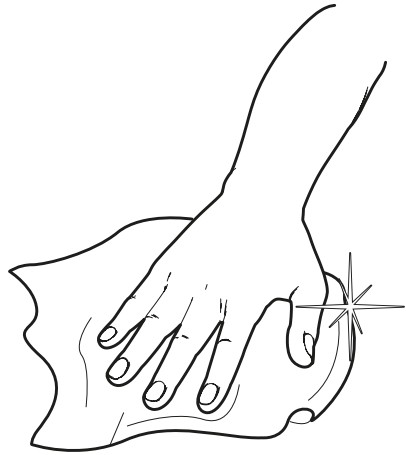
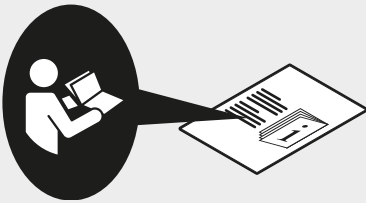
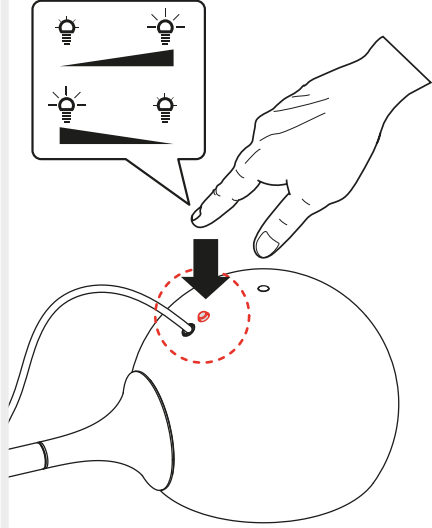
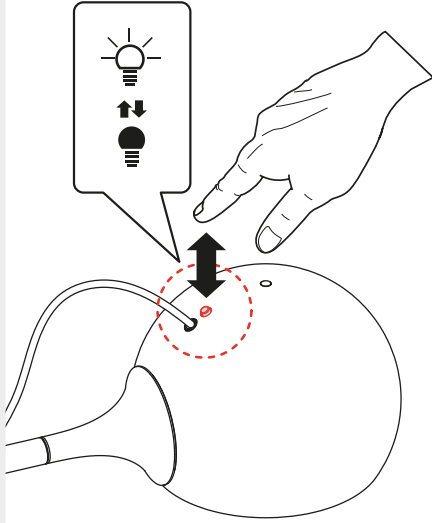


**i**



**i**





**Artemide®**



**Artemide**

via Bergamo, 18  
20006 Pregnana M.se (MI)  
ITALIA

tel. +39 02 935 181  
fax +39 02 935 90 254  
fax +39 02 935 90 496

[www.artemide.com](http://www.artemide.com)

VAT IT00846890150

cod. Y513001743A