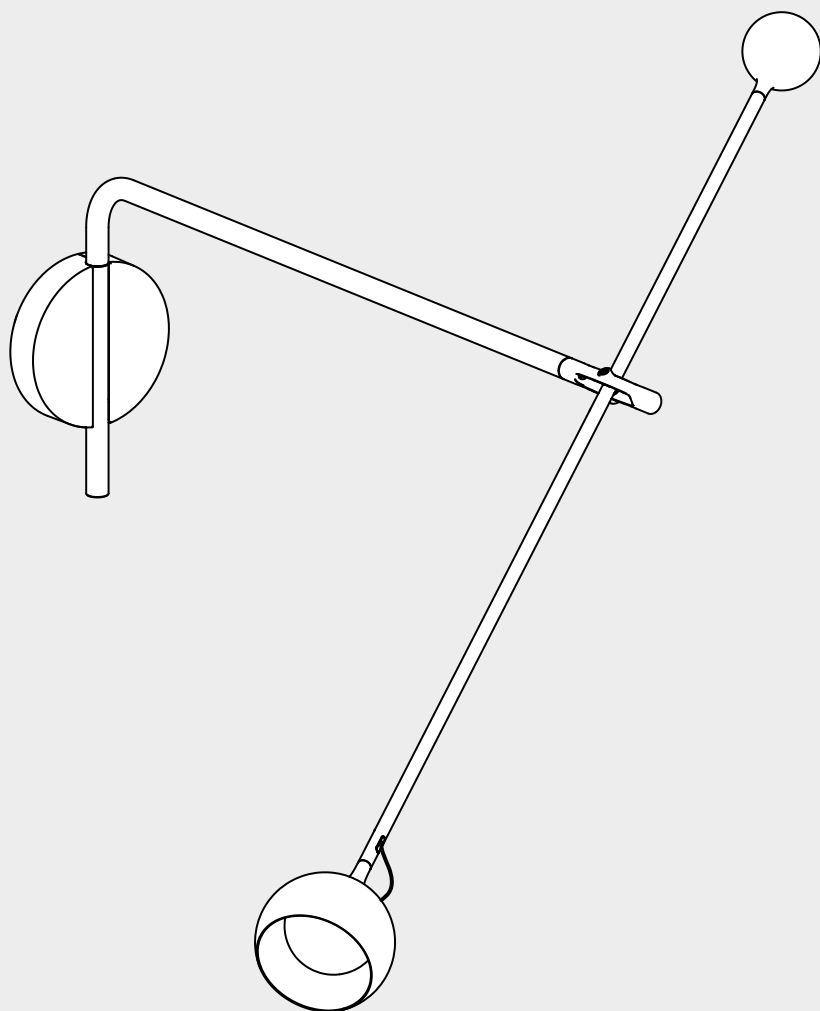


Artemide®

IXA ARM

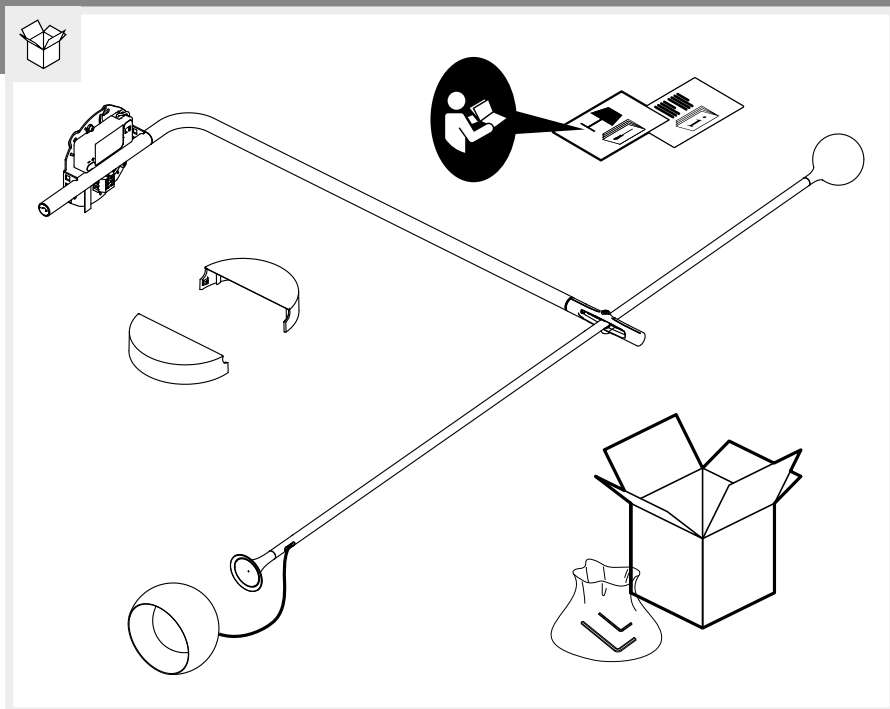
design
Foster & Partners



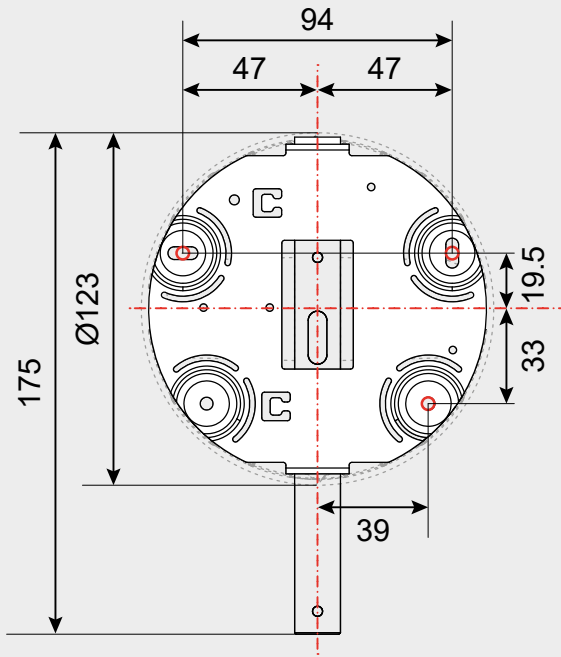


i

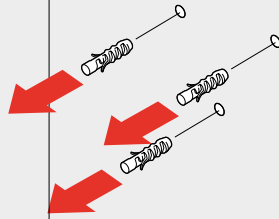
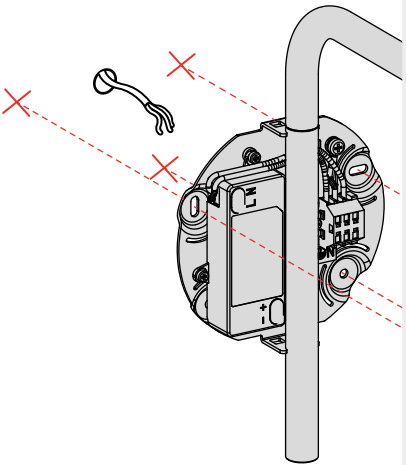
CE	IP20		UK CA	LED0
?	→		→	



i

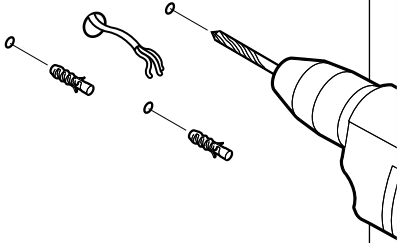


1

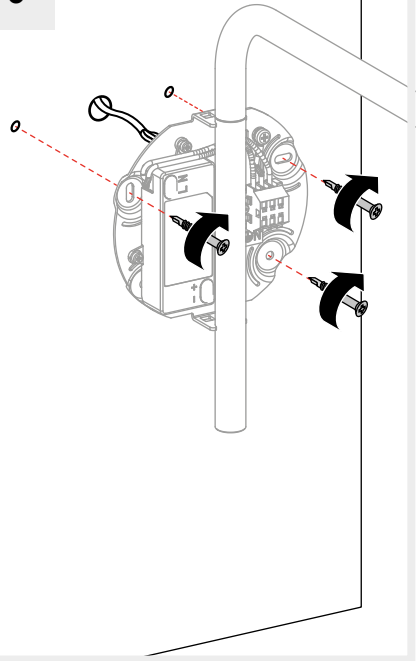


500 N

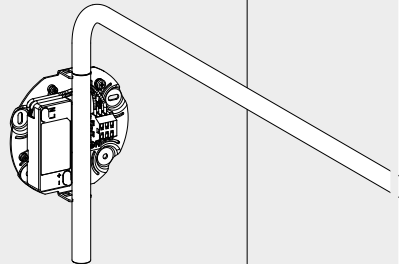
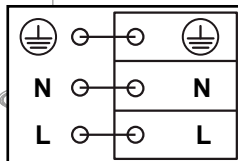
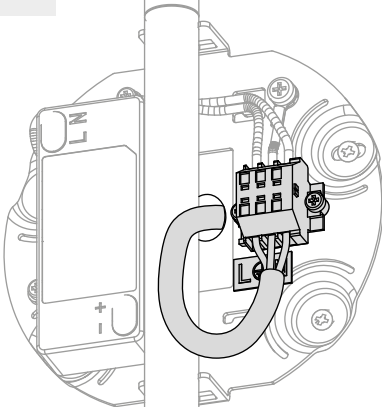
2



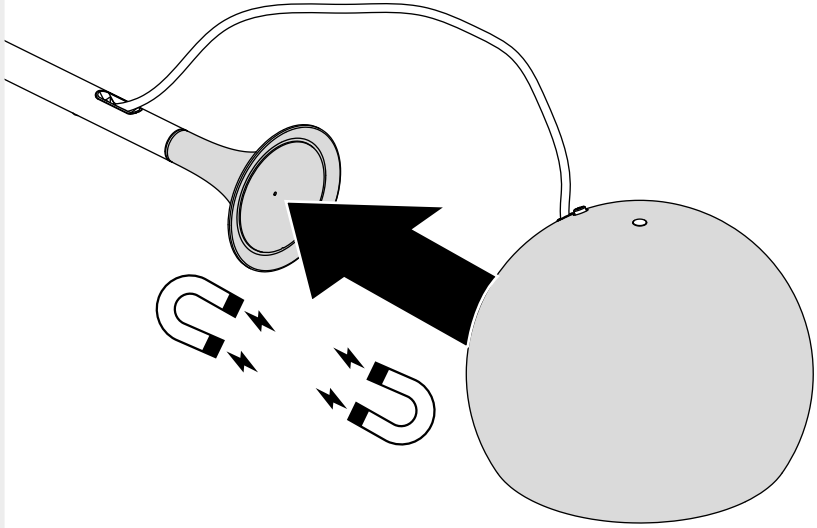
3



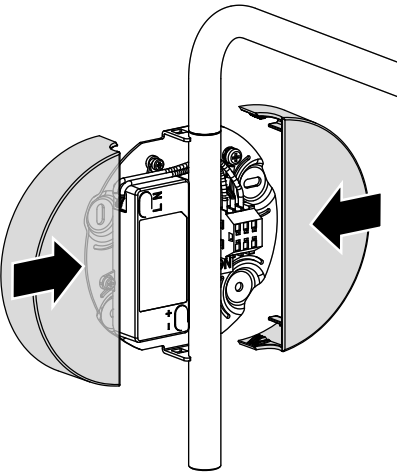
4



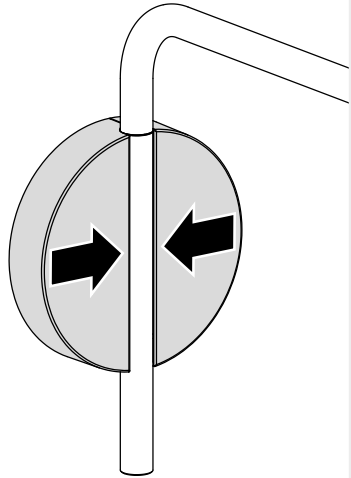
5



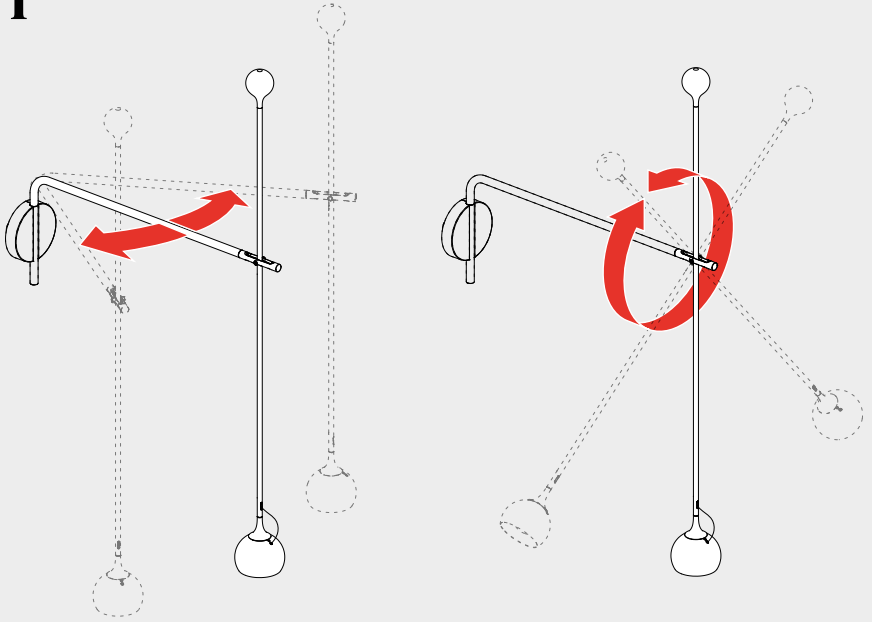
6



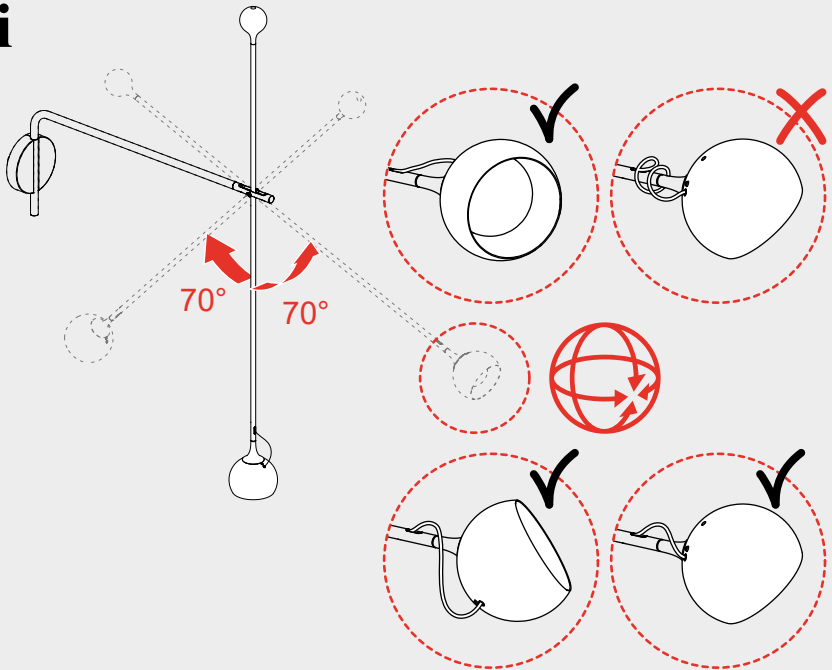
7



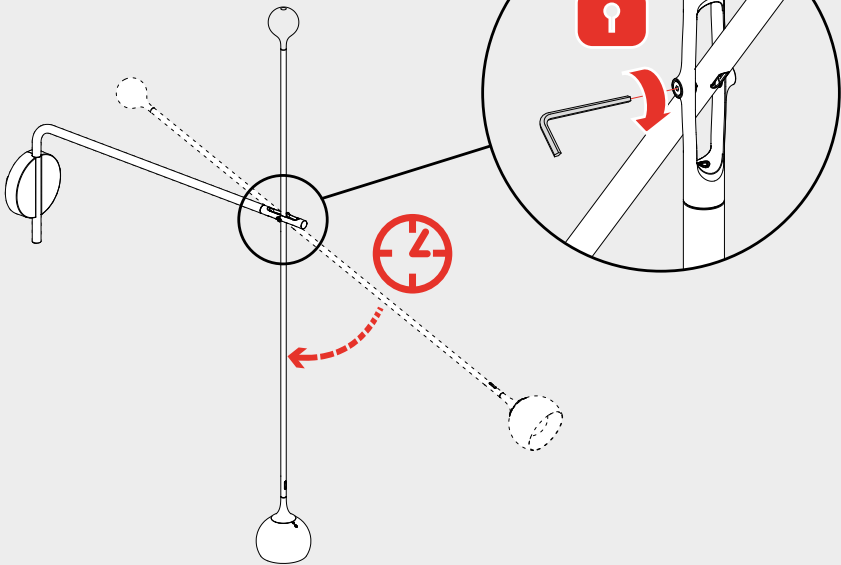
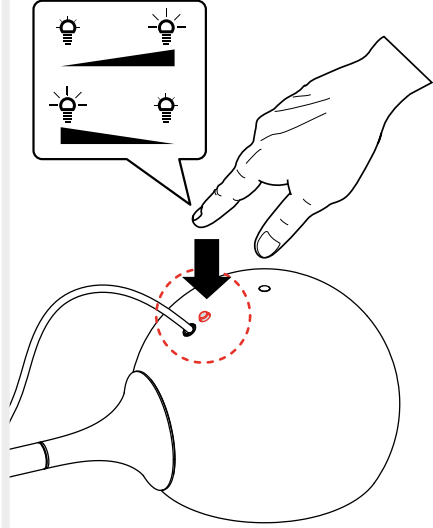
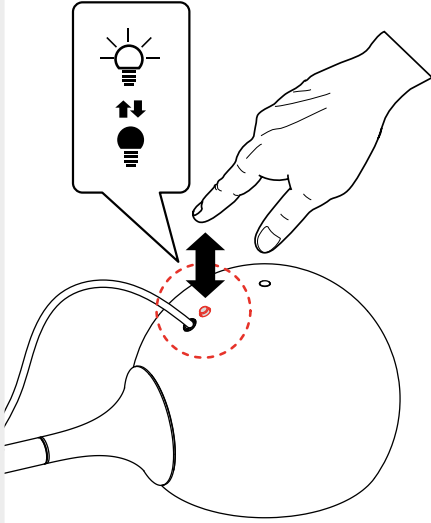
i



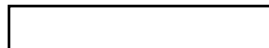
i



9



Artemide®



Artemide

via Bergamo, 18
20006 Pregnana M.se (MI)
ITALIA

tel. +39 02 935 181
fax +39 02 935 90 254
fax +39 02 935 90 496

www.artemide.com

VAT IT00846890150

cod. Y513001743B