

Artemide®

LA LINEA

design
BIG

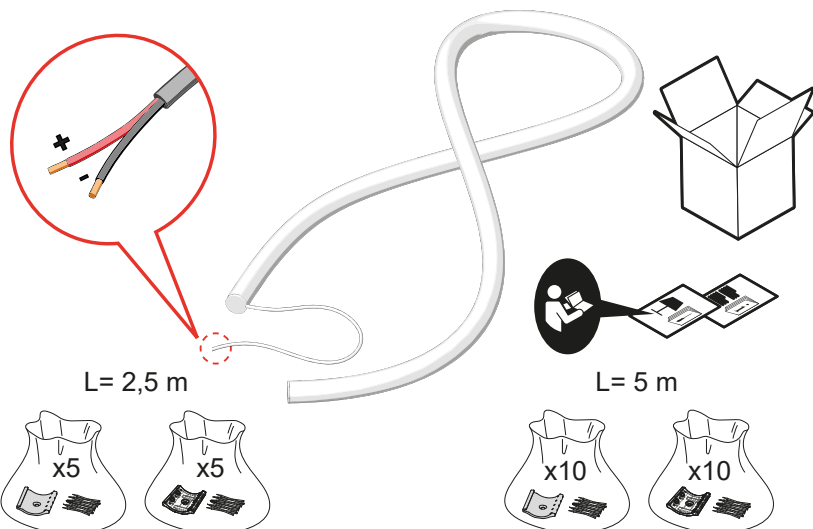




i

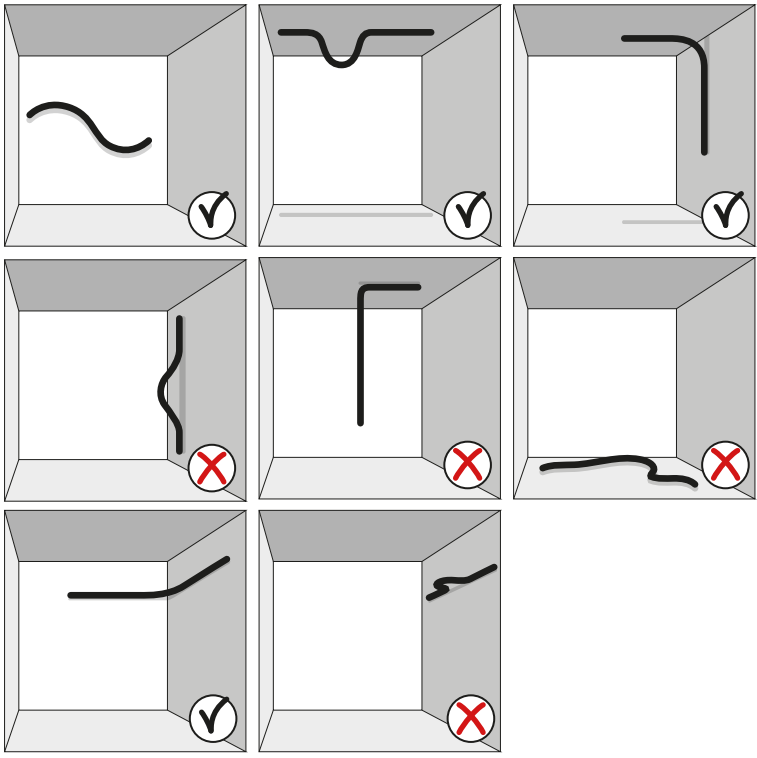


CE	III	IP65		LED 0
	UK CA	IK08	CLASS 2	suitable for wet locations convient aux endroits humides Ato para ubicación húmeda
?	→		→	

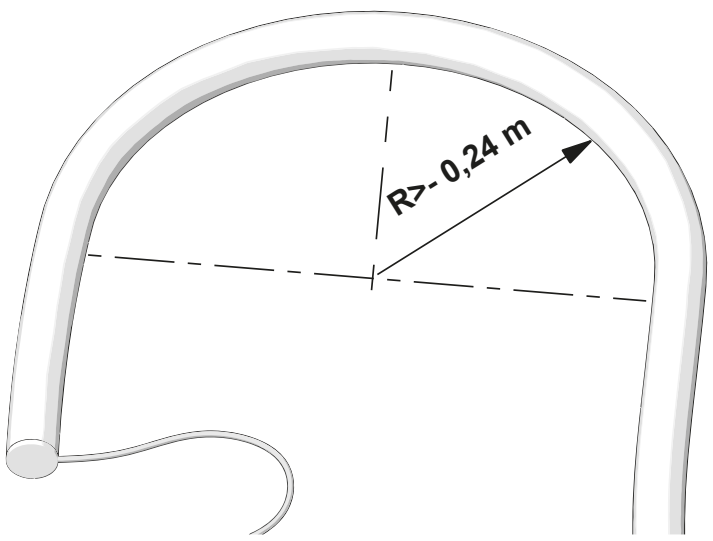




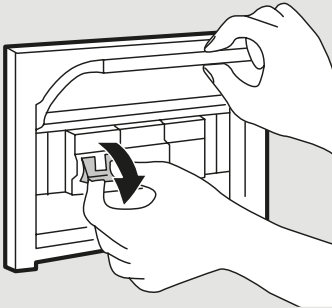
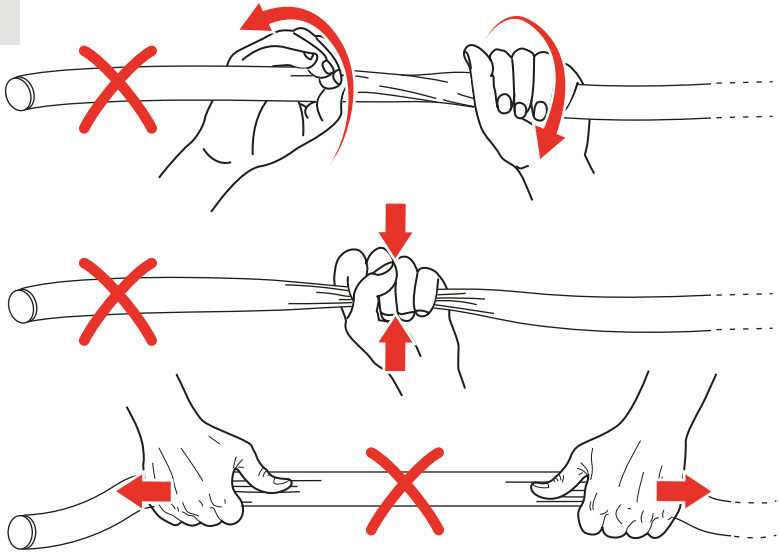
i



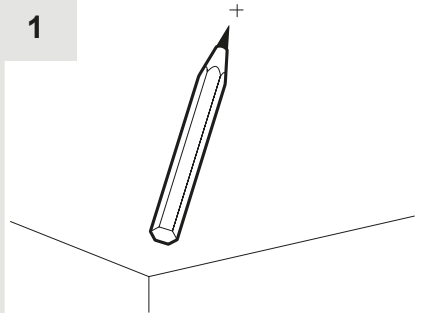
i



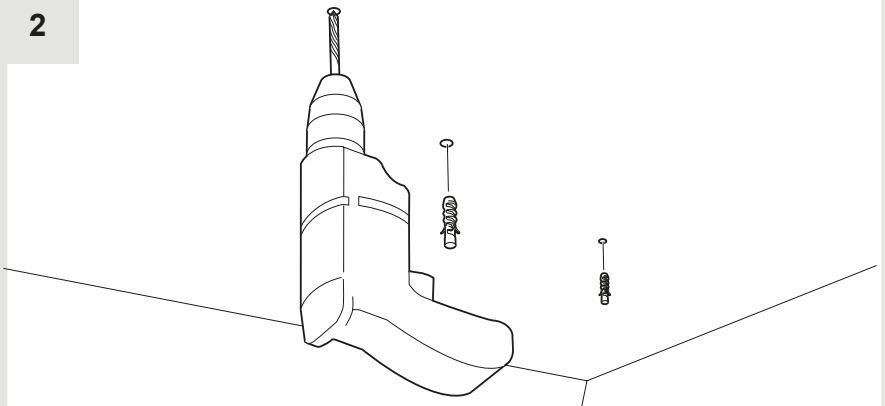
i



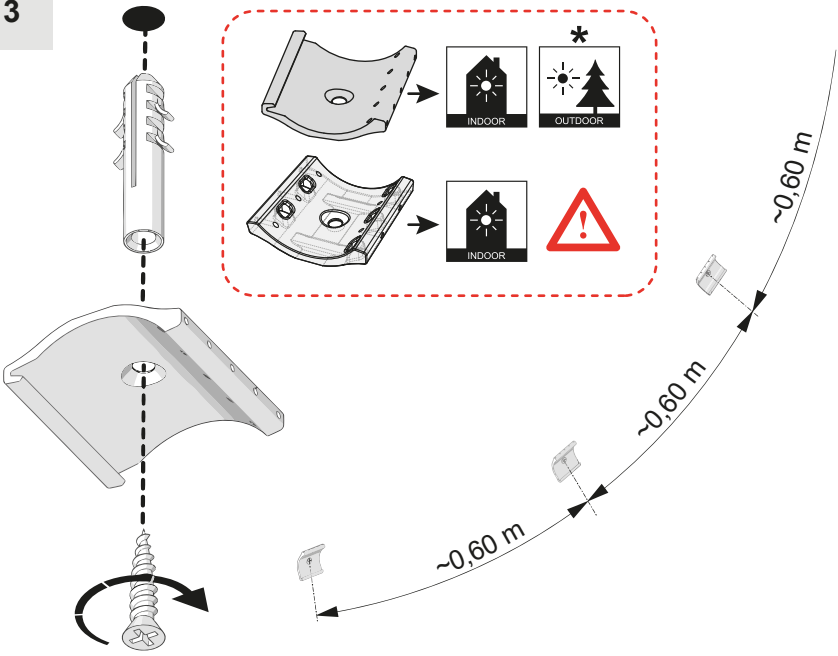
1



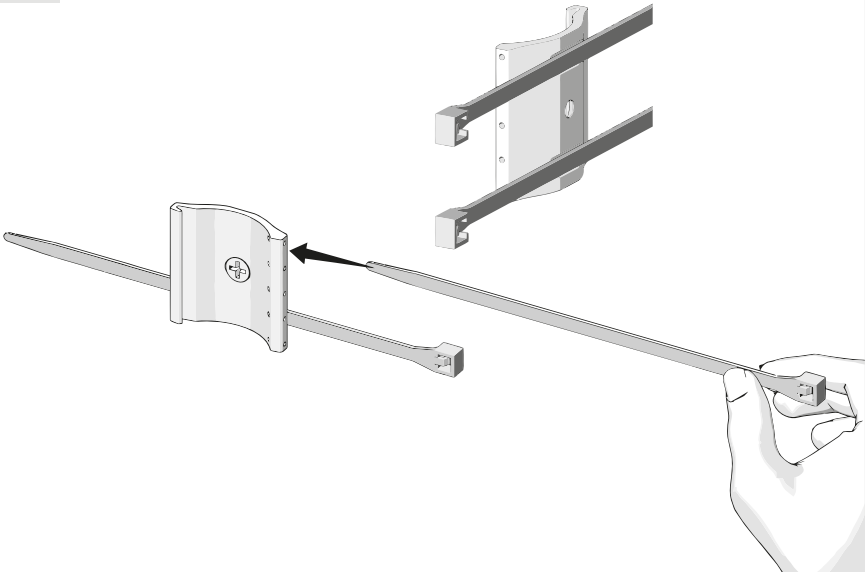
2



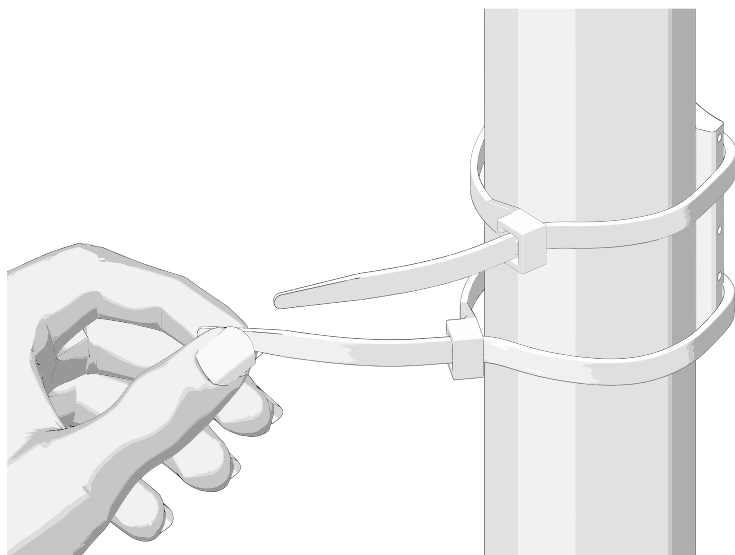
3



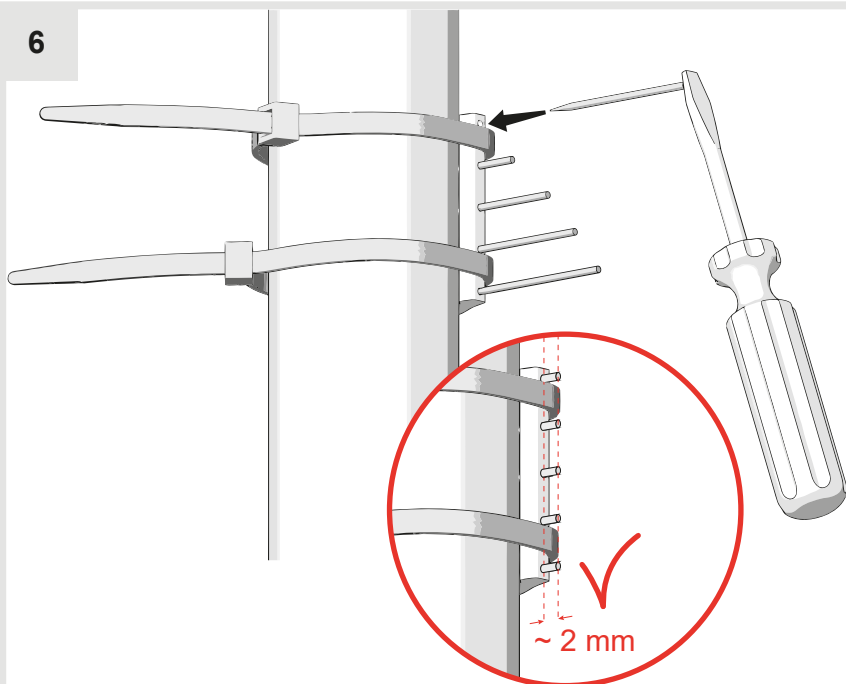
4



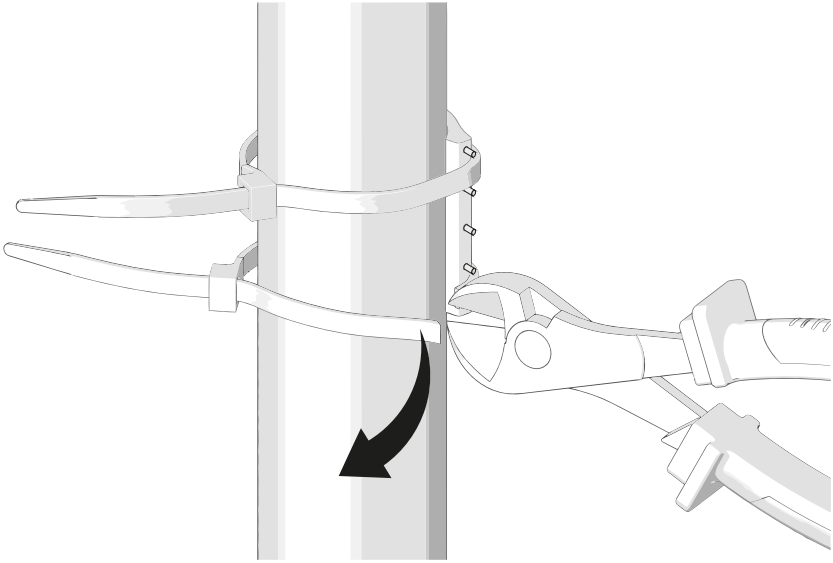
5



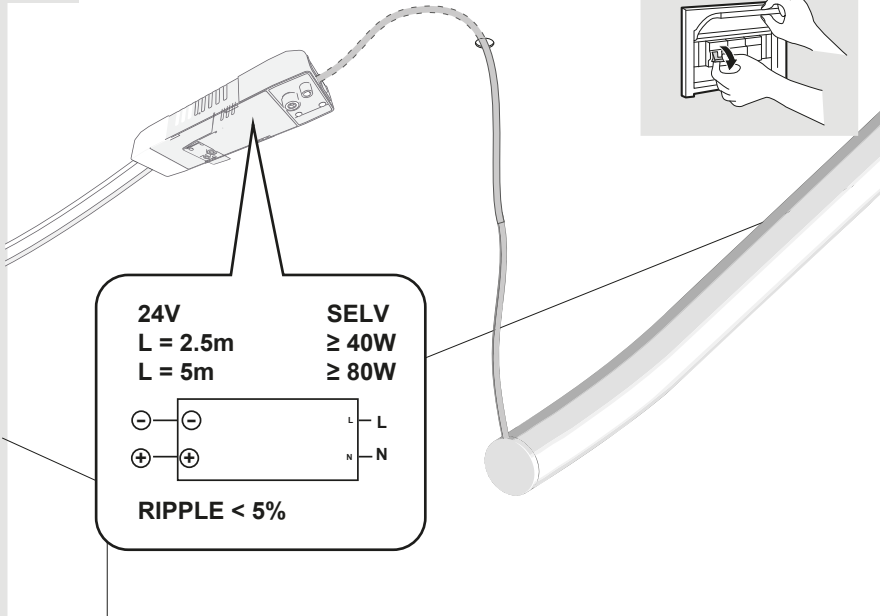
6



7

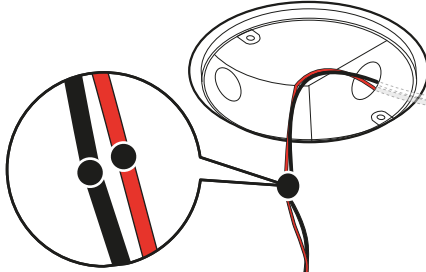
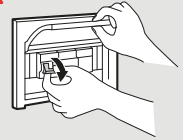


8



8

For USA / Canada only



24V SELV
L = 2.5m ≥ 40W
L = 5m ----- ≥ 80W

⊖	⊖	L	L
⊕	⊕	N	N

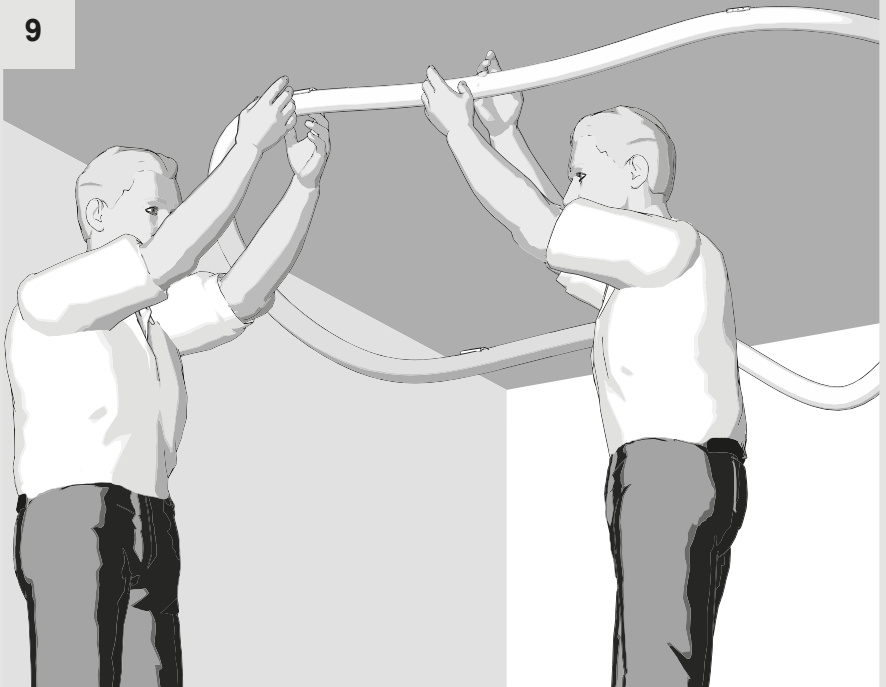
100-277V

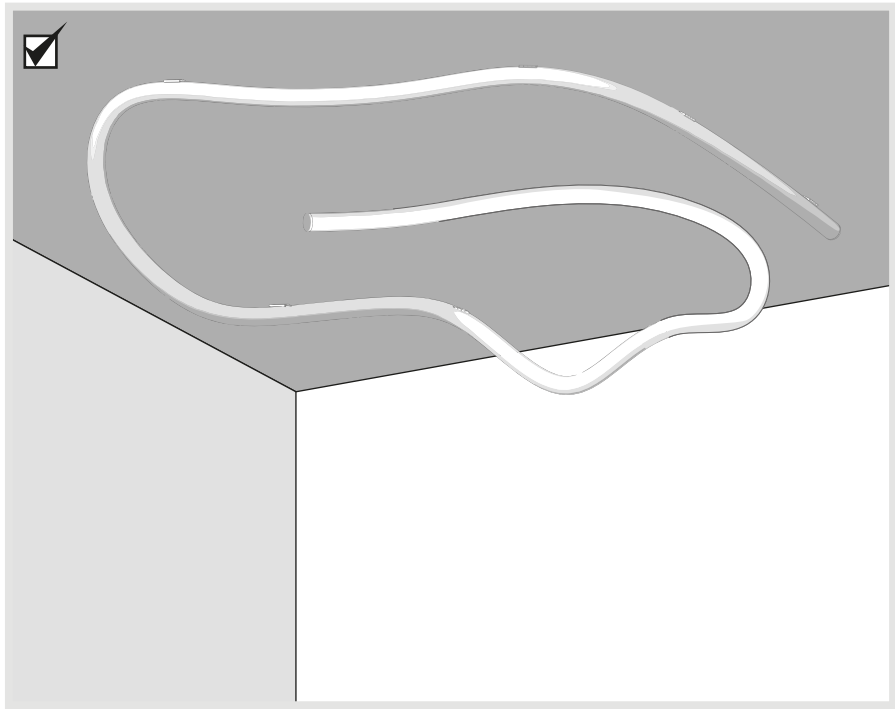
RIPPLE < 5%

Use only with class 2 power unit
Utiliser exclusivement avec class 2 alimentation
Utilícese únicamente con unidad de alimentación de clase 2

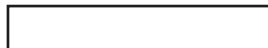
red/rouge/rojo  + CLASS 2
black/noir/negro  - CLASS 2

9





Artemide®



Artemide

via Bergamo, 18
20006 Pregnana M.se (MI)
ITALIA

tel. +39 02 935 181
fax +39 02 935 90 254
fax +39 02 935 90 496

www.artemide.com

VAT IT00846890150

Artemide Inc.

250 Karin Lane
Hicksville, NY 11801

tel. 631 694 9292
Toll Free 1-877-Art-9111
Fax 631 694 9275

www.artemide.net

Artemide Ltée/Ltd.

11105 rue Renaude Lapointe
Montréal, Québec H1J 2T4

Tel. 514 323 6537
Toll Free 888 777 2783
Fax 514 323 8864

www.artemide.net

cod. Y513001308E