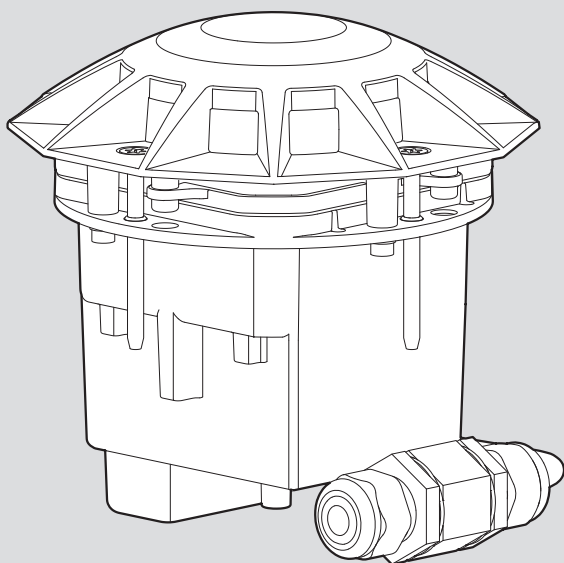


Artemide®

Megara

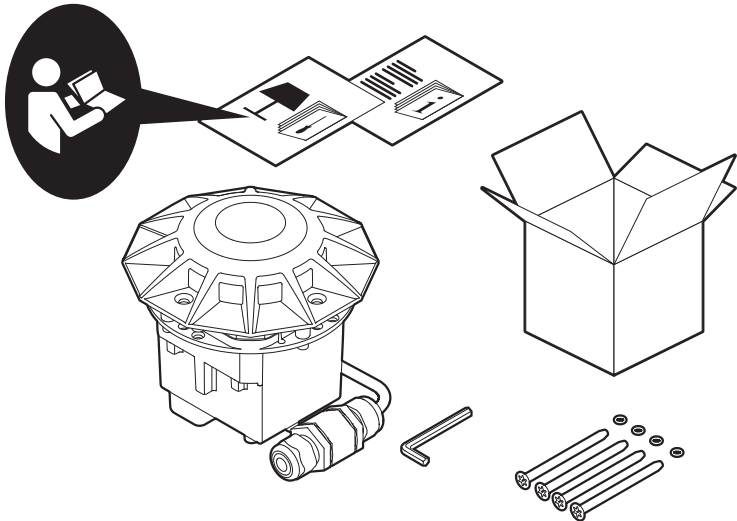
design
Michele De Lucchi



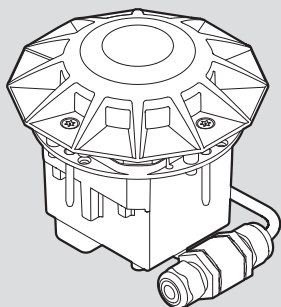


i

CE	EN 603			
IP65	IP67	LED0		
?	→		→	



i

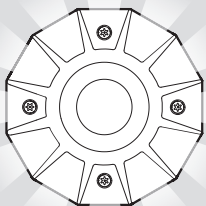
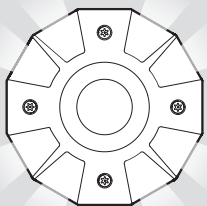
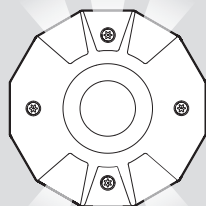
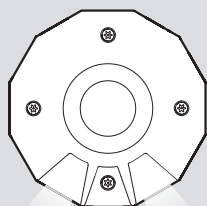


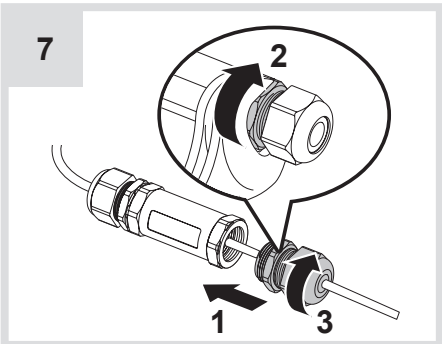
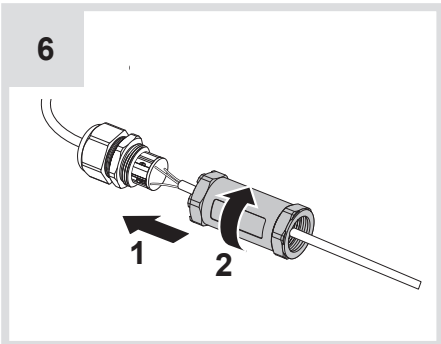
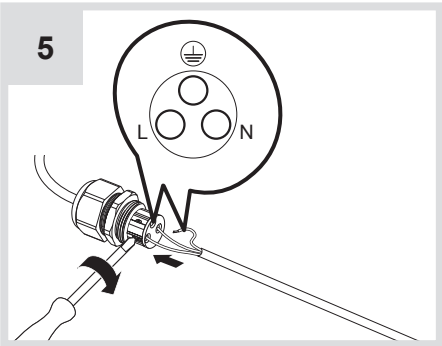
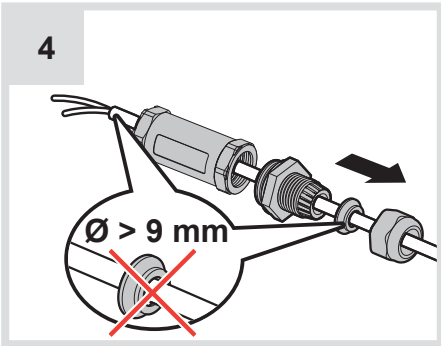
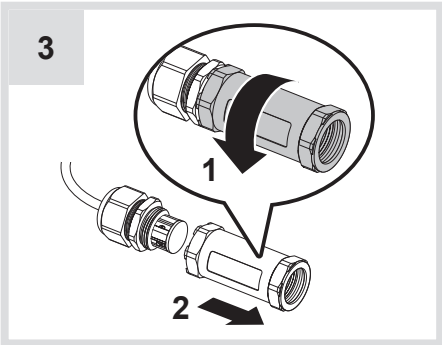
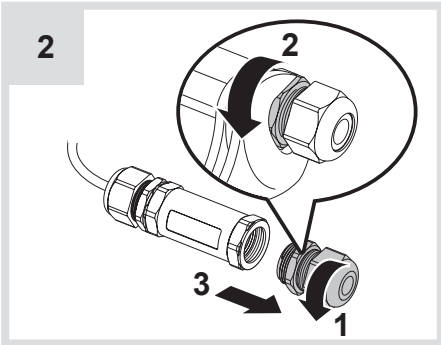
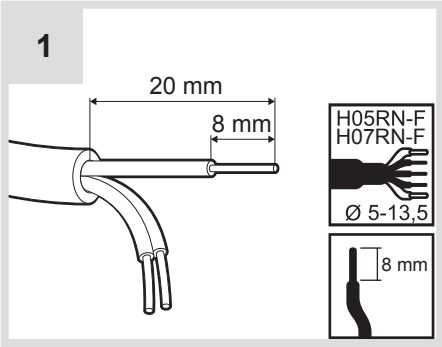
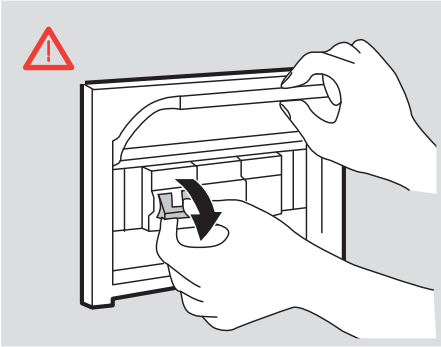
Ø 90 mm

Ø 150 mm

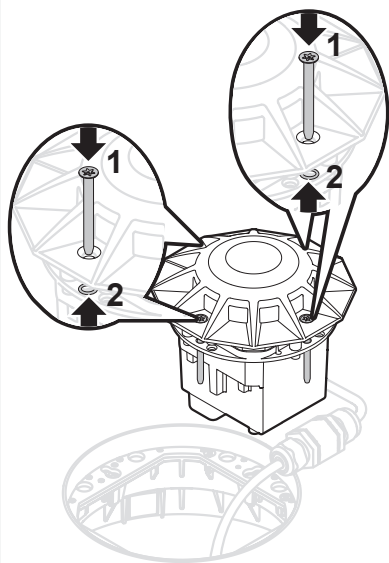
Ø 220 mm

i

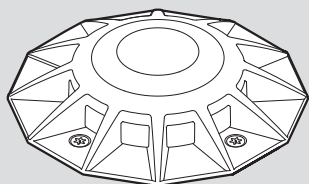
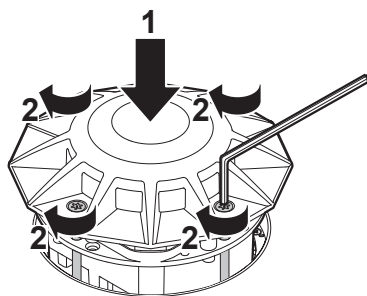




8

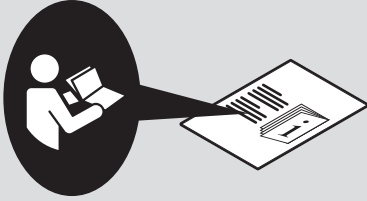


9





i



1



Artemide®



Artemide

via Bergamo, 18
20010 Pregnana M.se (MI)
ITALIA

tel. +39 02 935 181
fax +39 02 935 90 254
fax +39 02 935 90 496

www.artemide.com

VAT IT00846890150

cod. Y513000037D