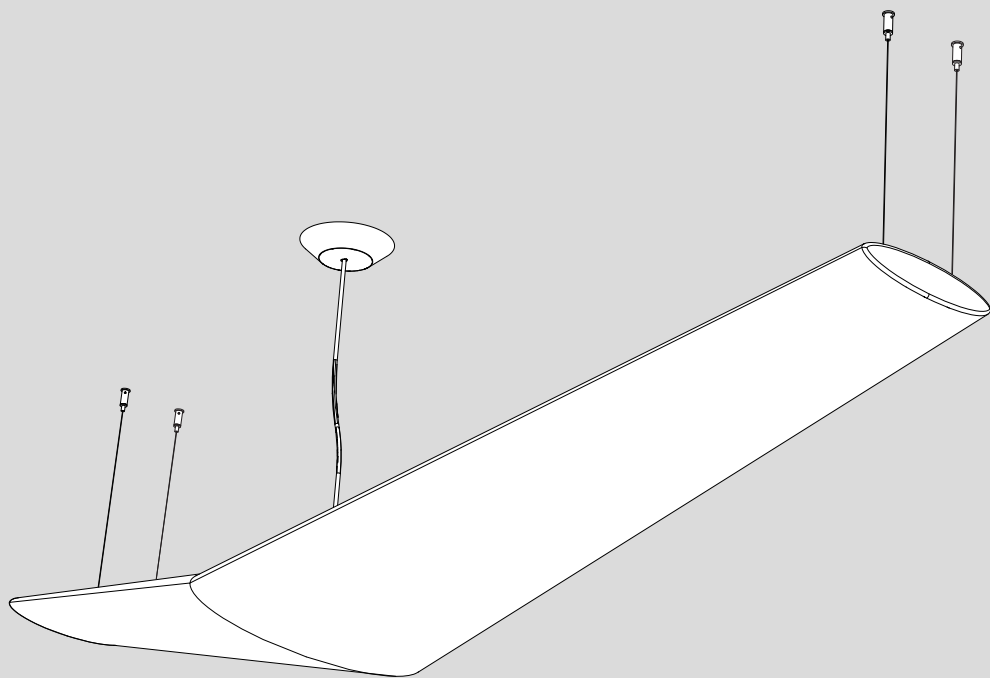


Artemide®

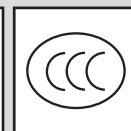
Mouette mega led

design
Wilmotte & Associés

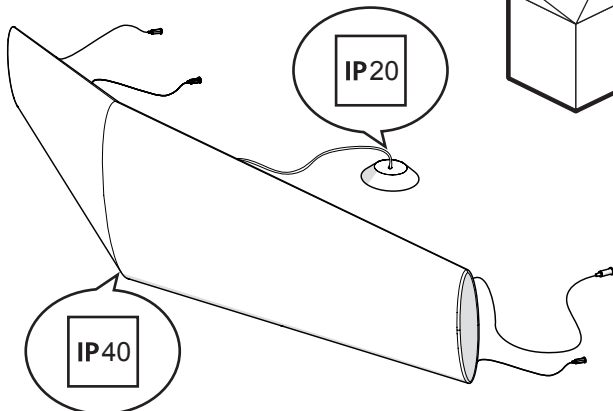
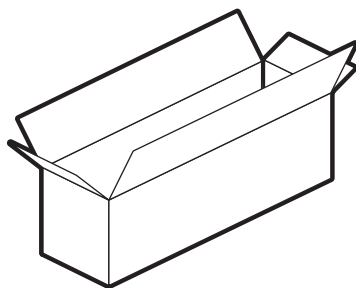
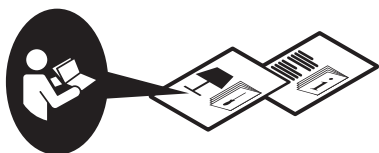
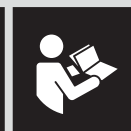
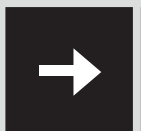
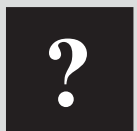


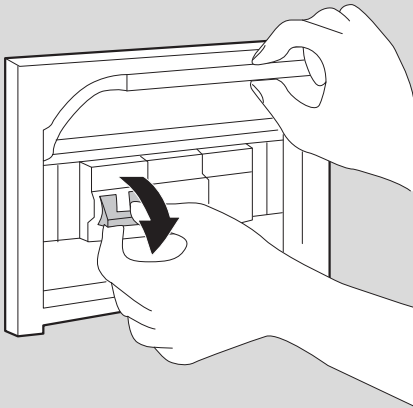


i

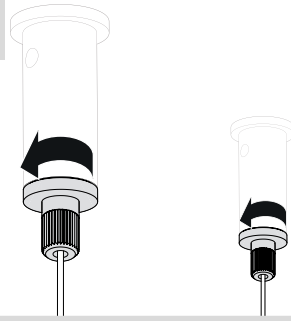


LED 0

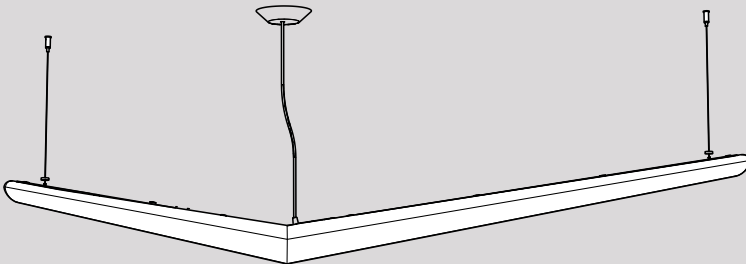
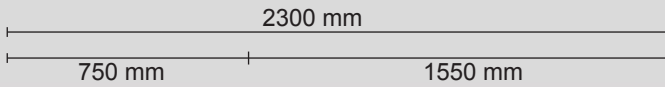
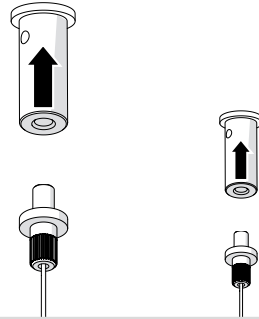


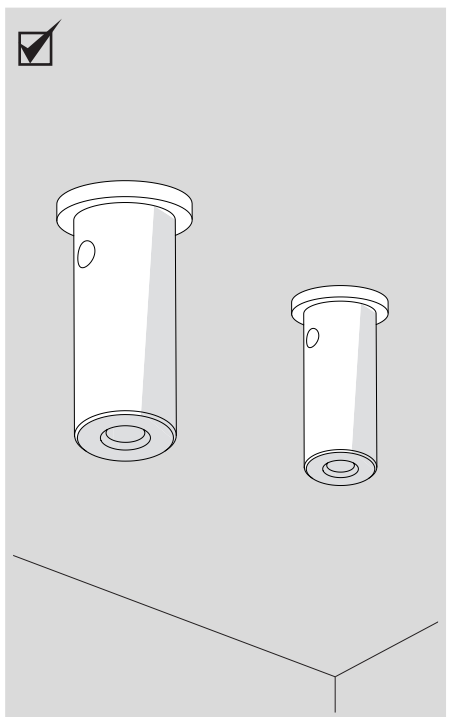
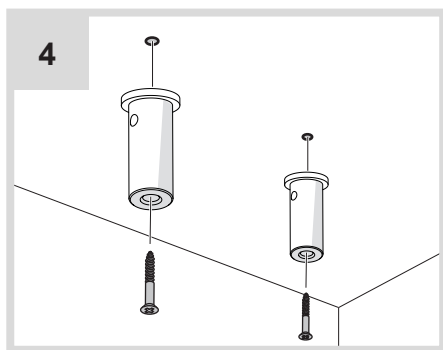
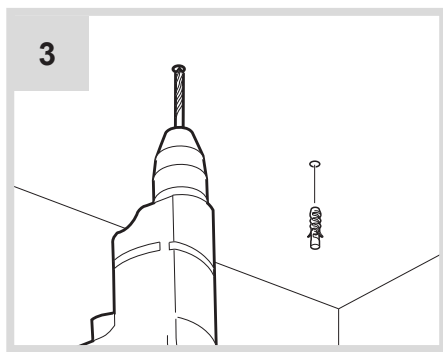
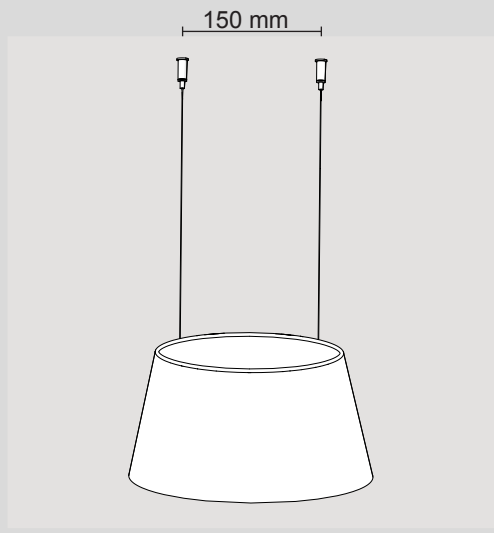


1



2

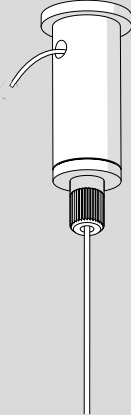
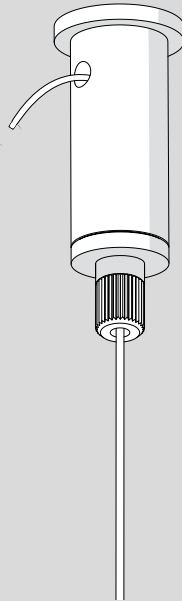
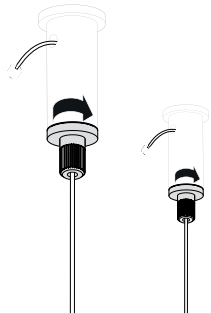


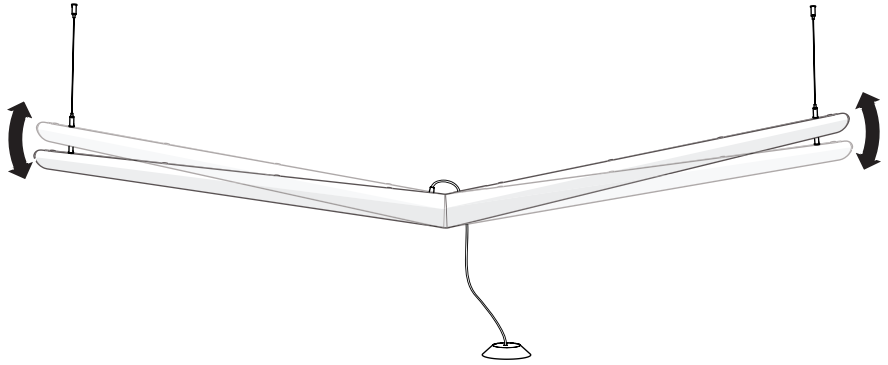


5

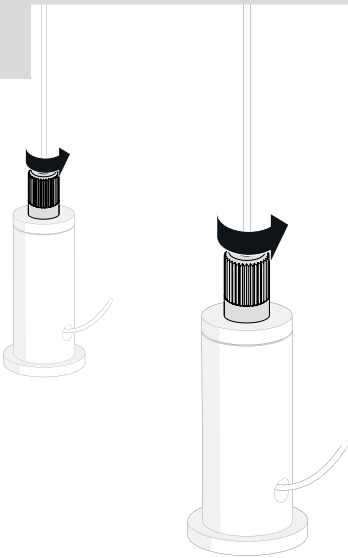


6

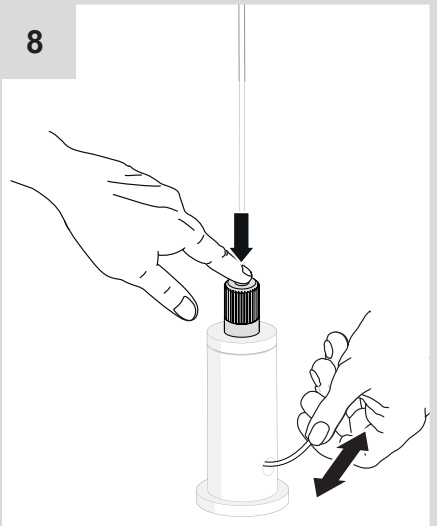




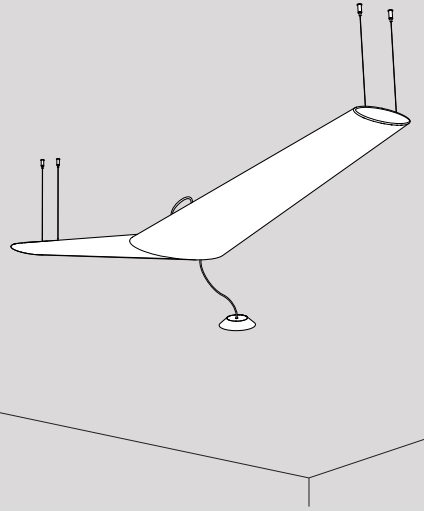
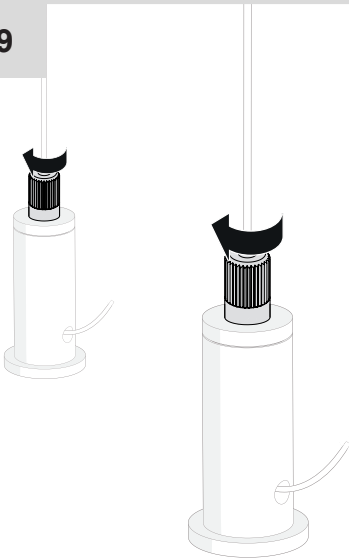
7



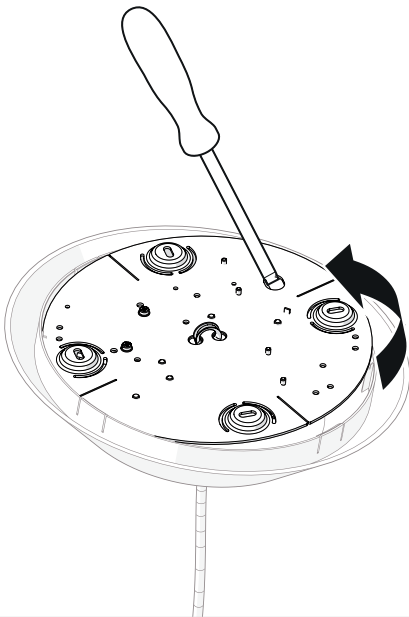
8



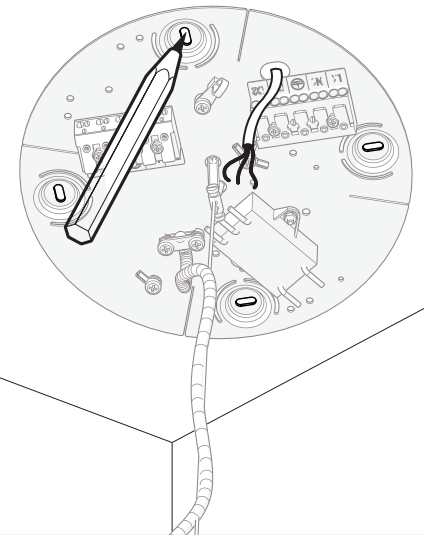
9



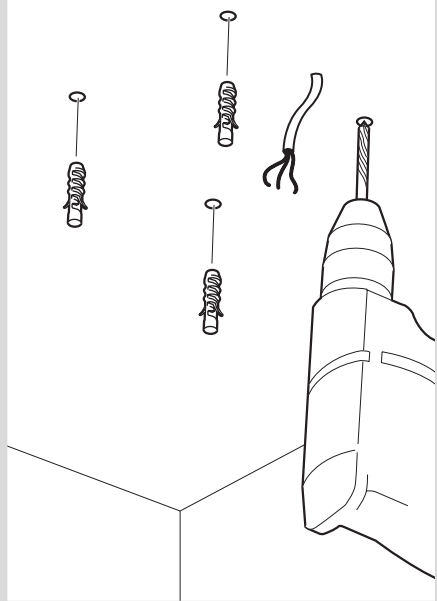
10



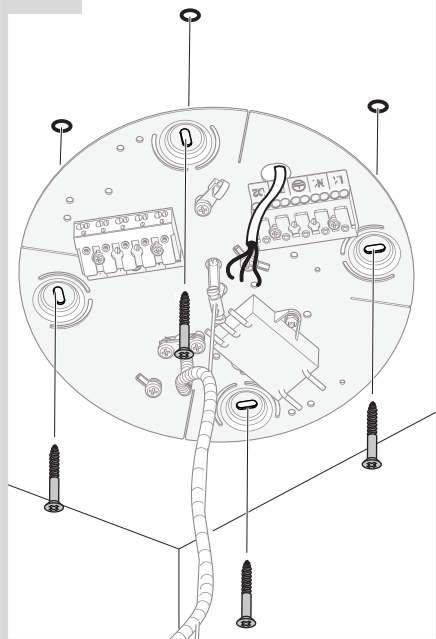
11



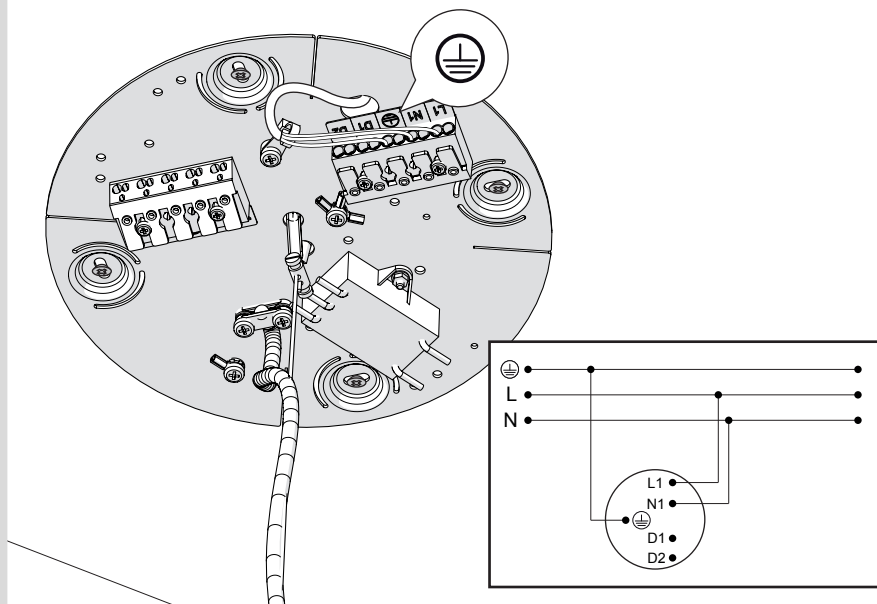
12



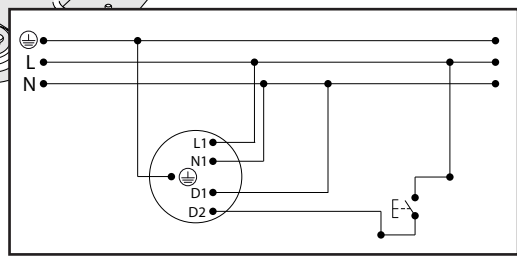
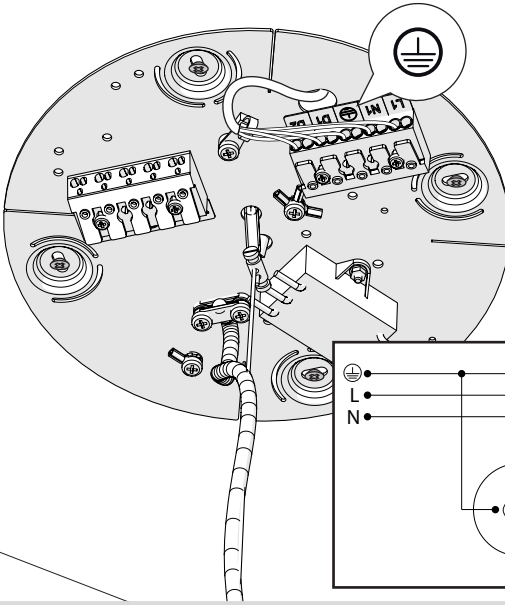
13



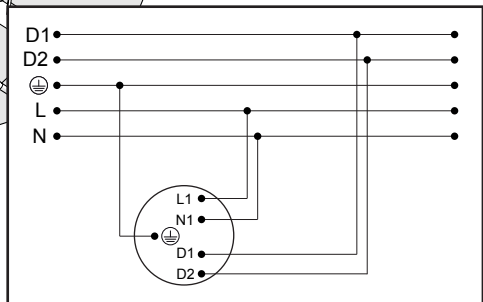
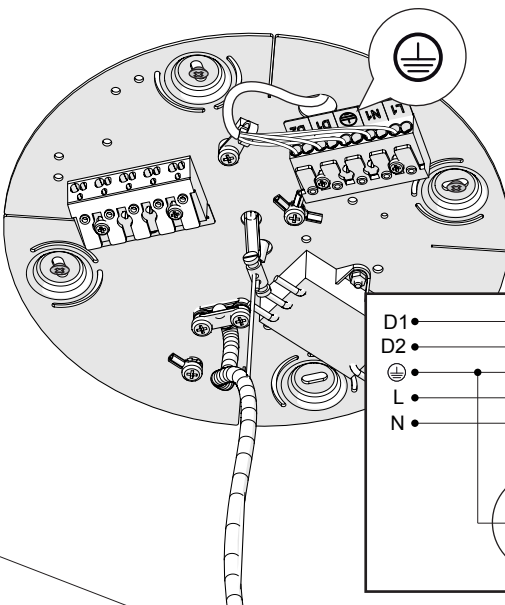
14



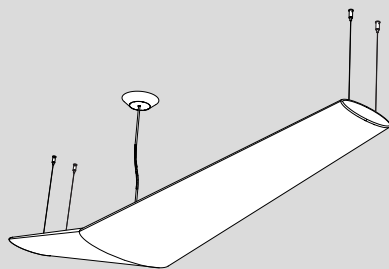
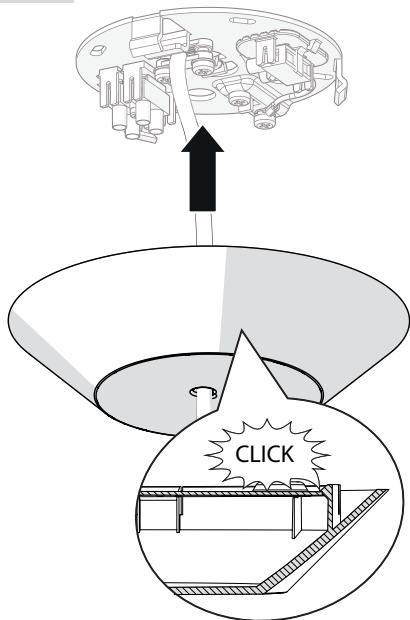
14



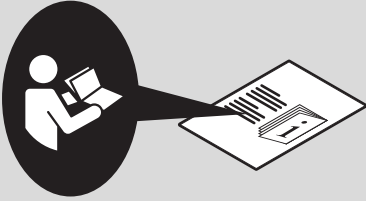
14



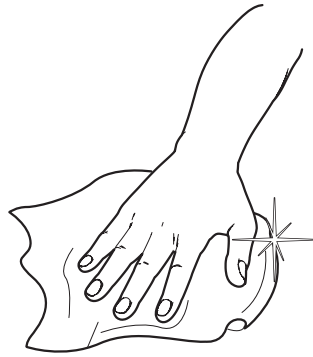
15



i



1



Artemide®



Artemide

via Bergamo, 18
20010 Pregnana M.se (MI)
ITALIA

tel. +39 02 935 181
fax +39 02 935 90 254
fax +39 02 935 90 496

www.artemide.com

VAT IT00846890150

cod. Y513000225