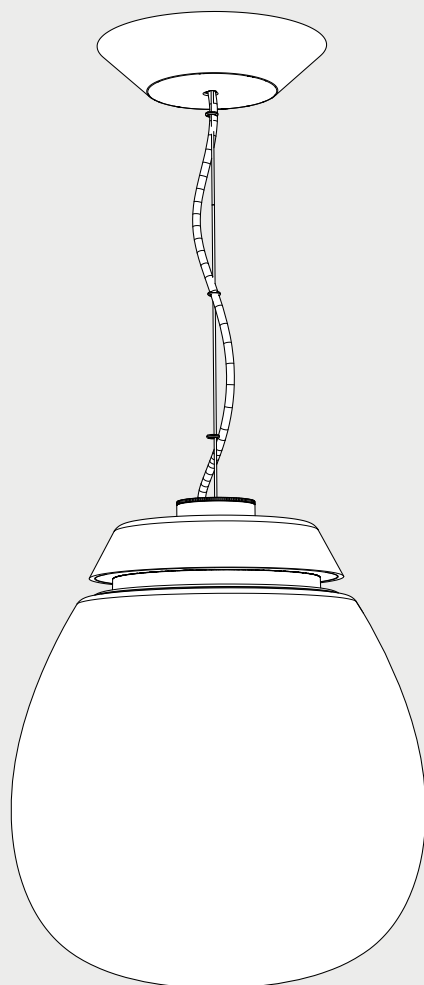
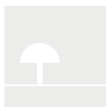


# Artemide®

## Empatia

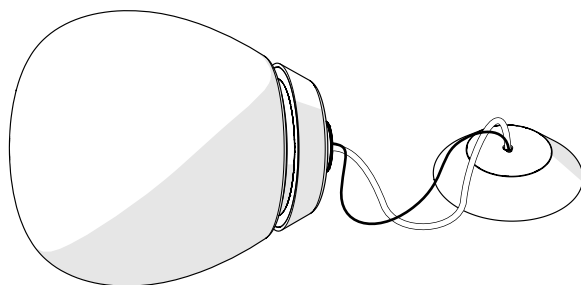
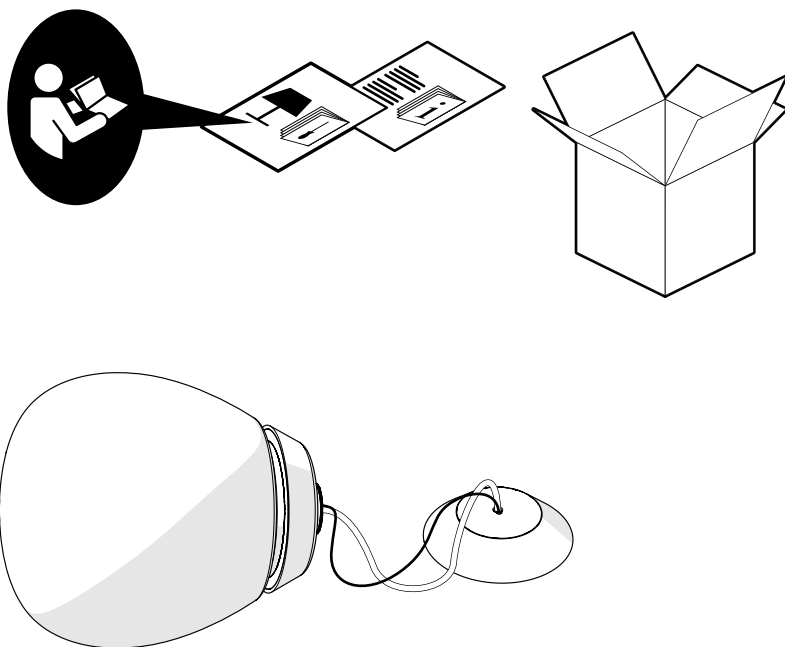
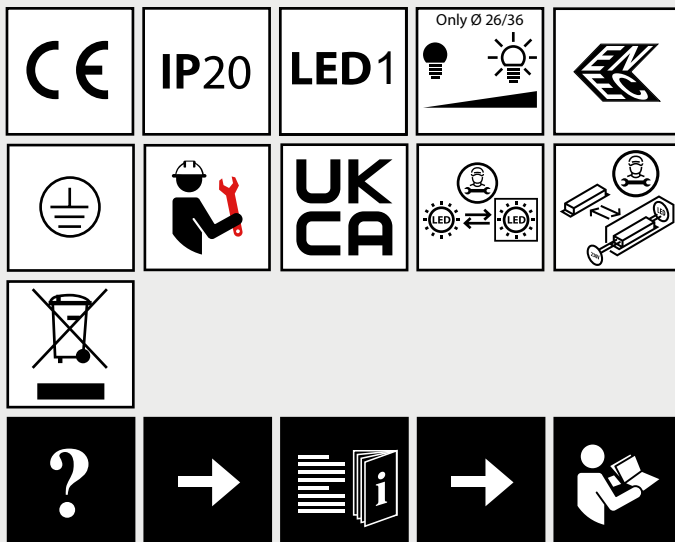
design

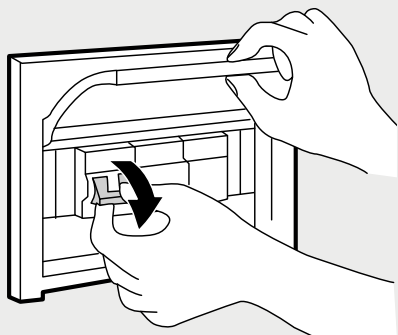
C. de Bevilacqua - P. di Arianello



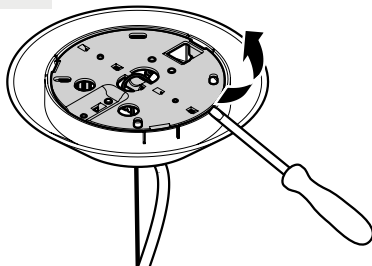


i

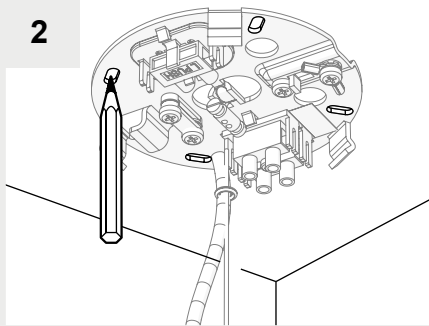




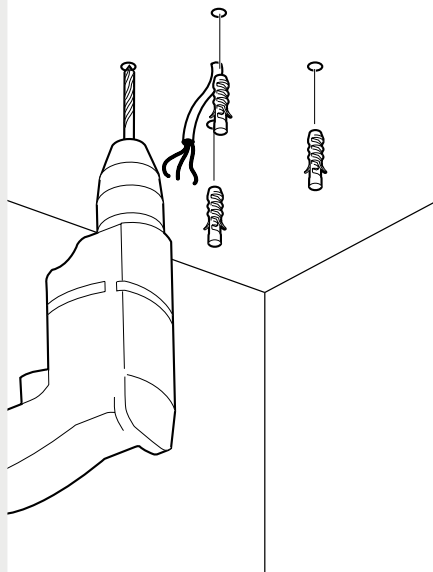
1



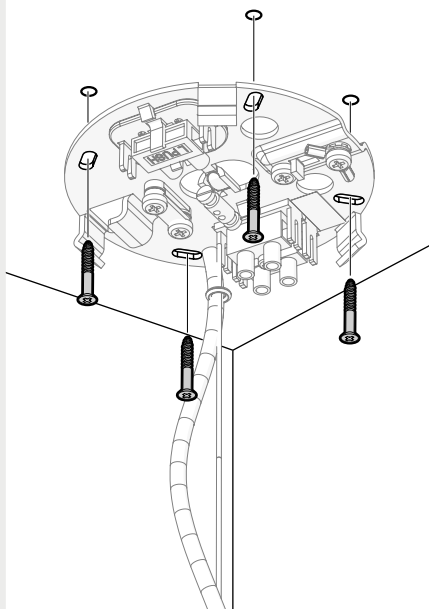
2



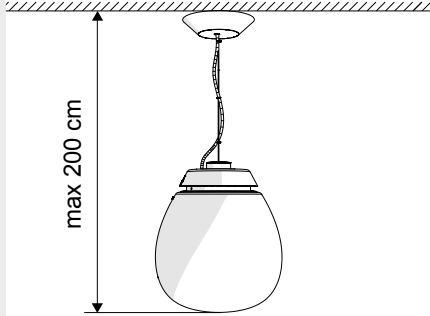
3



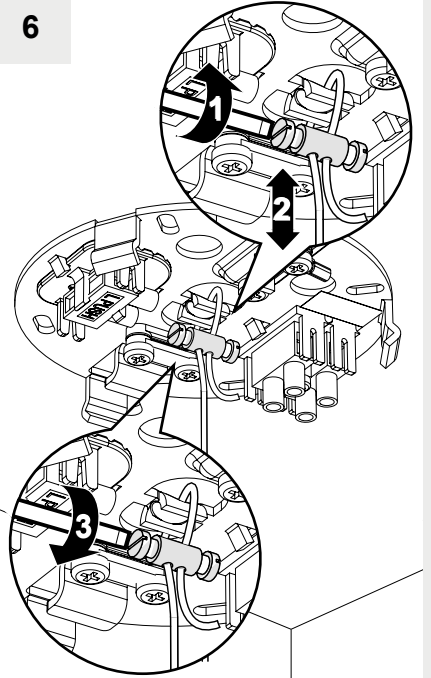
4



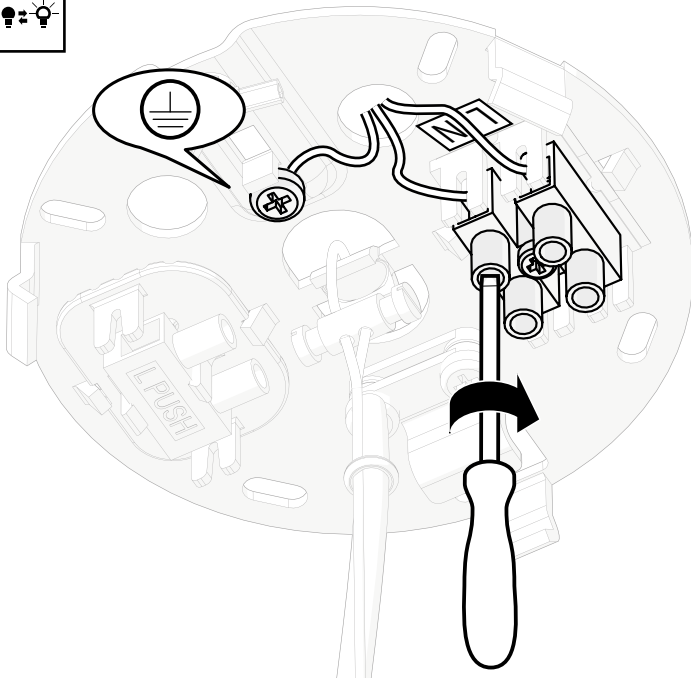
5



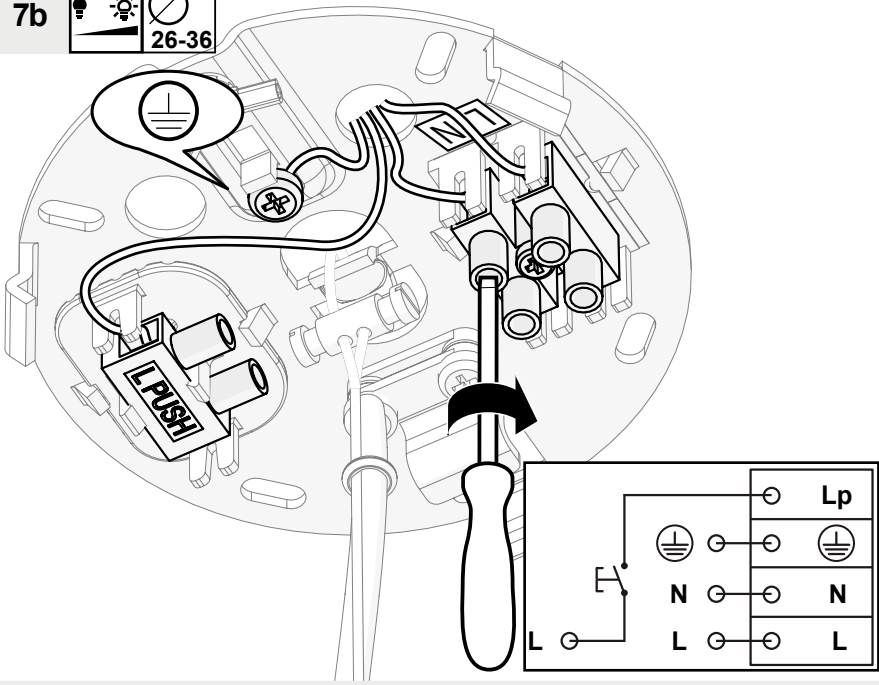
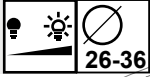
6



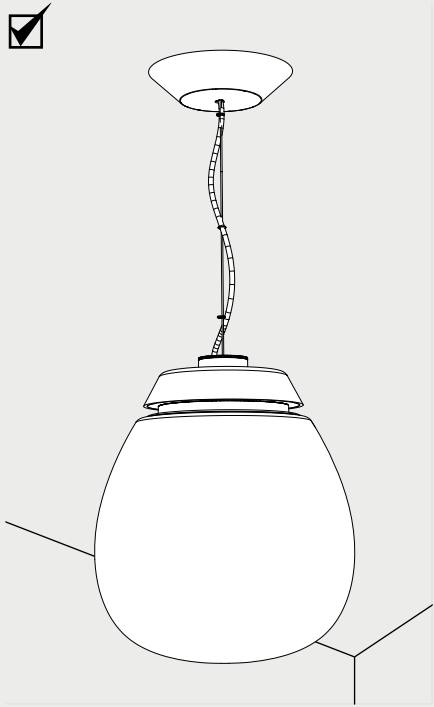
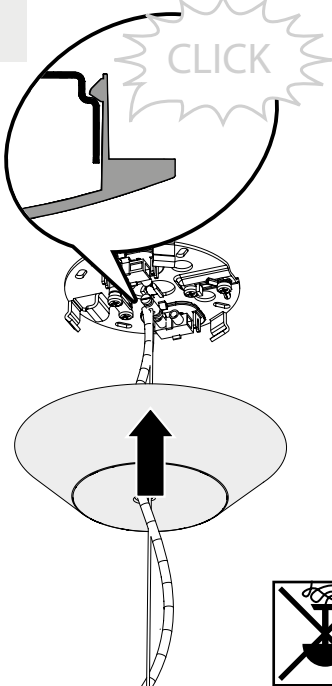
7a

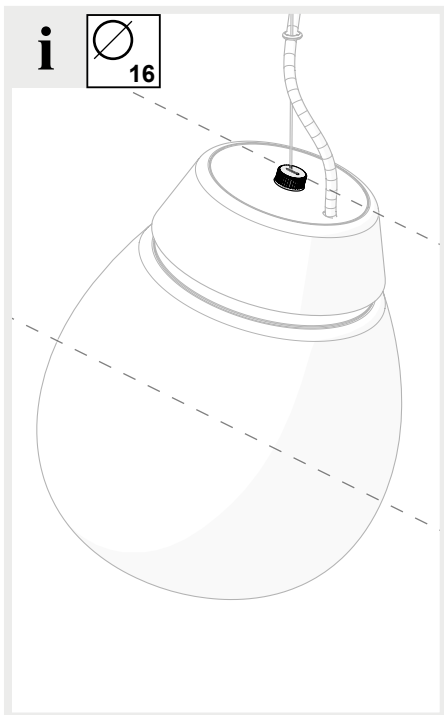
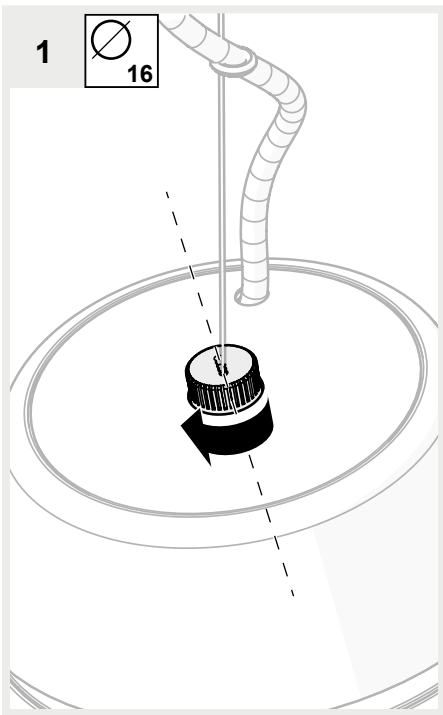


7b

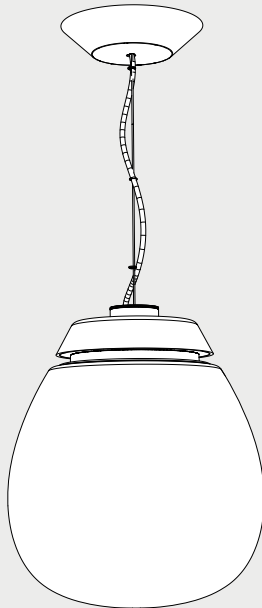
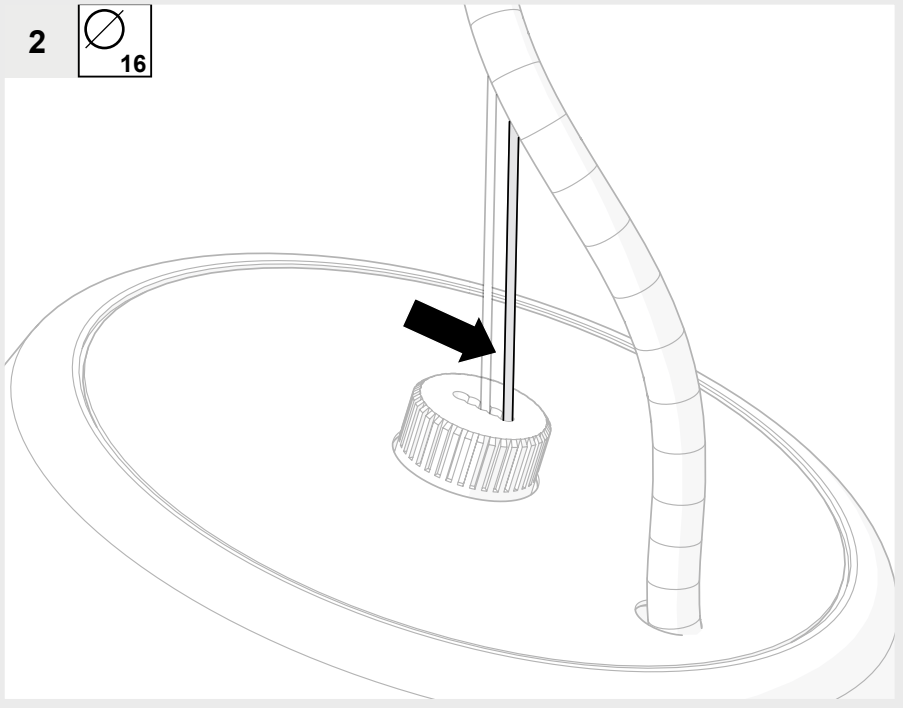


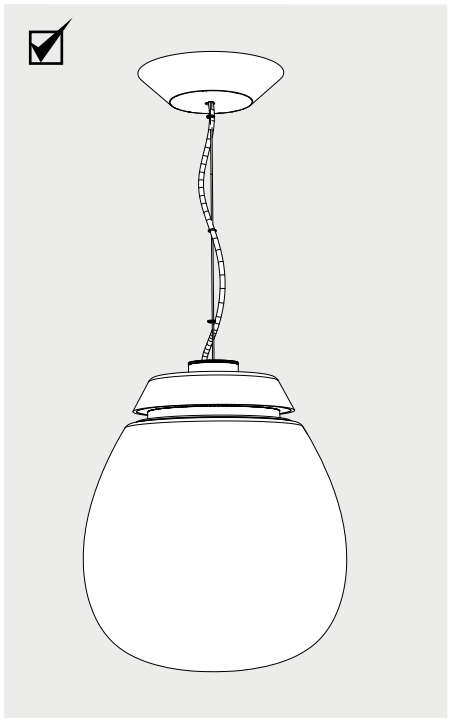
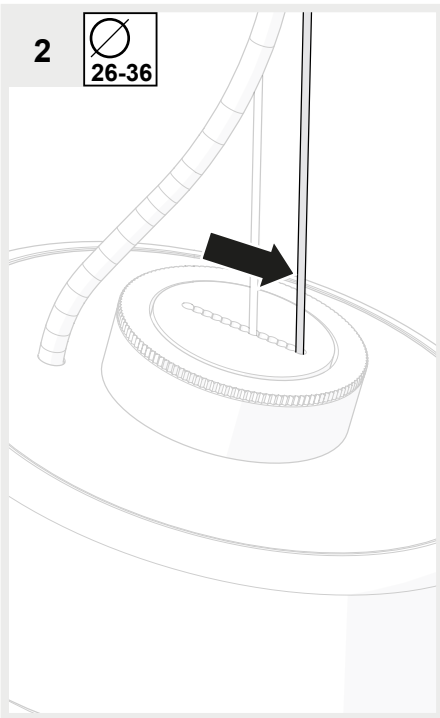
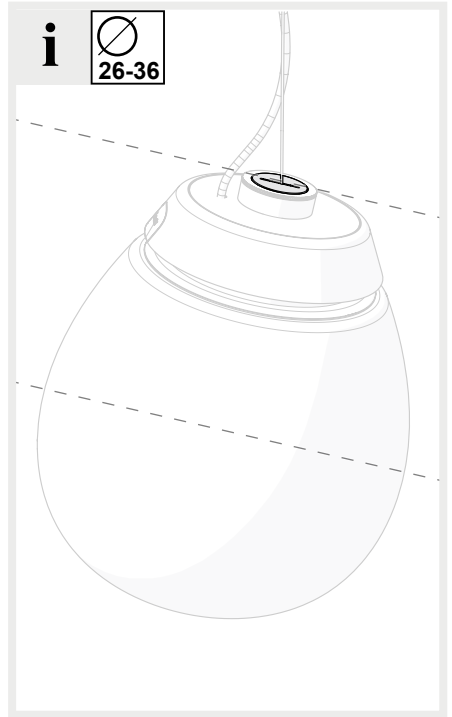
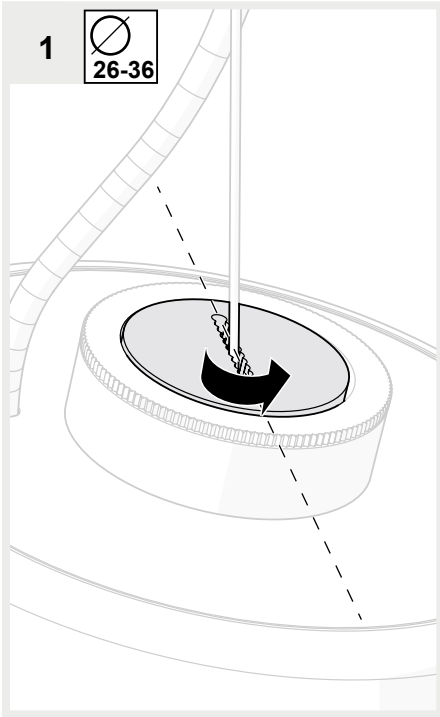
8



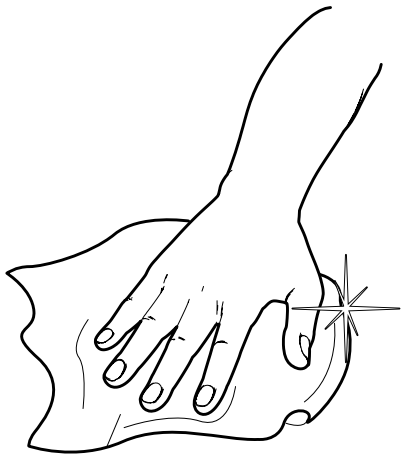
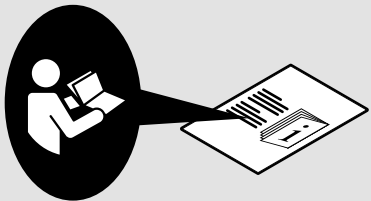


2





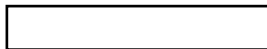








**Artemide®**



**Artemide**

via Bergamo, 18  
20006 Pregnana M.se (MI)  
ITALIA

tel. +39 02 935 181  
fax +39 02 935 90 254  
fax +39 02 935 90 496

[www.artemide.com](http://www.artemide.com)

VAT IT00846890150

cod. Y513000189F