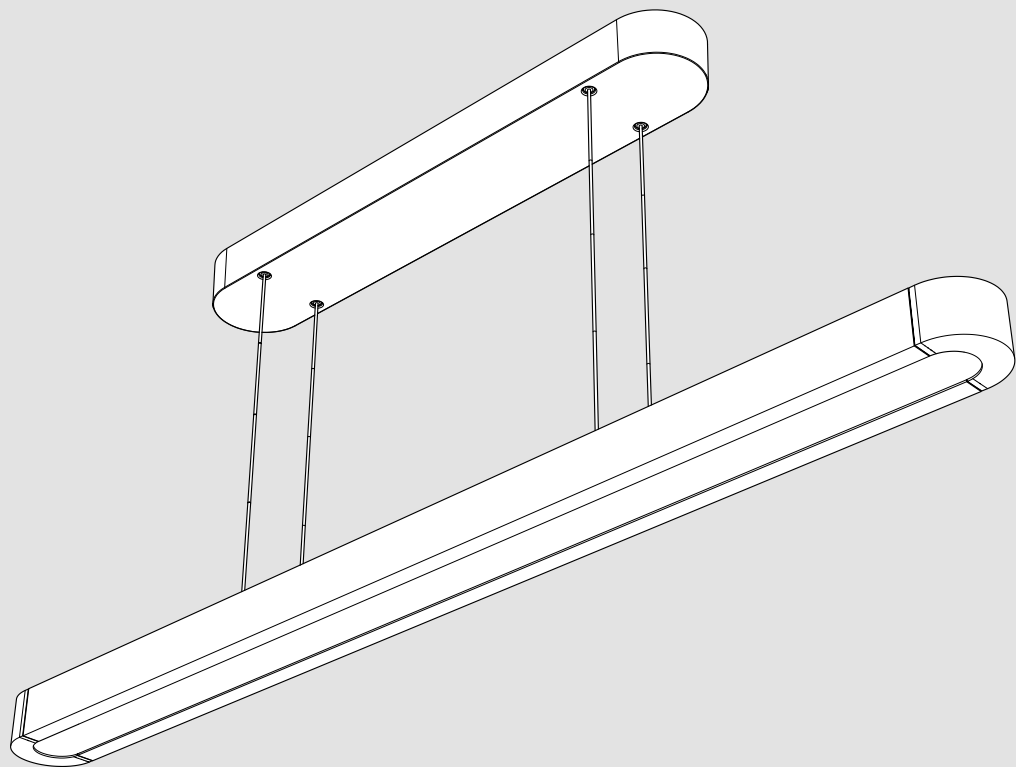


# Artemide®

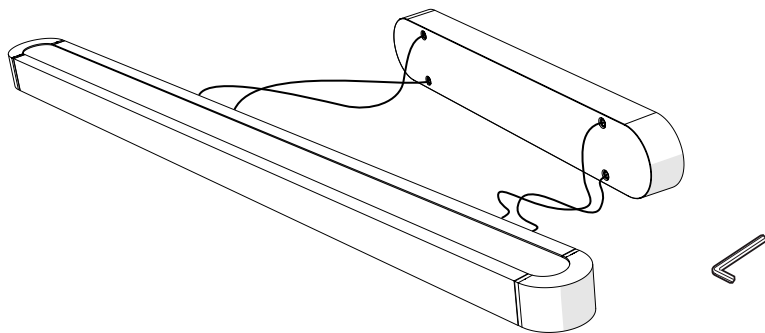
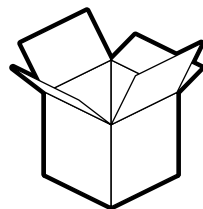
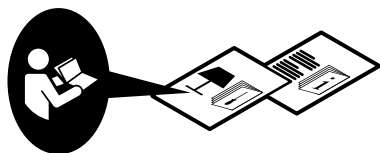
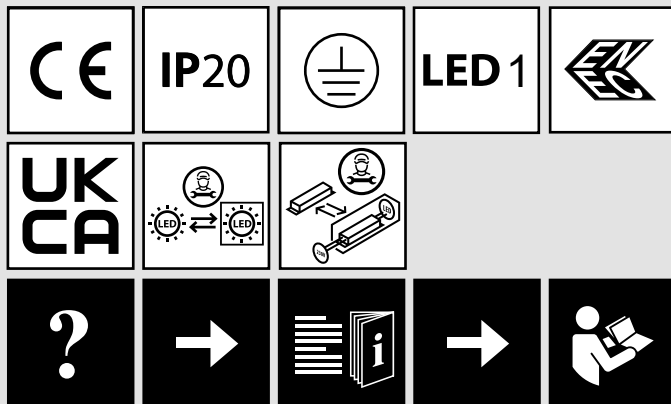
## Talo

design  
N. Poulton

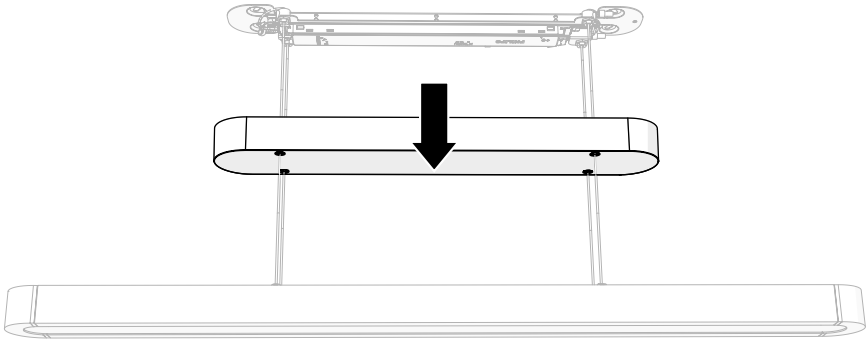




i



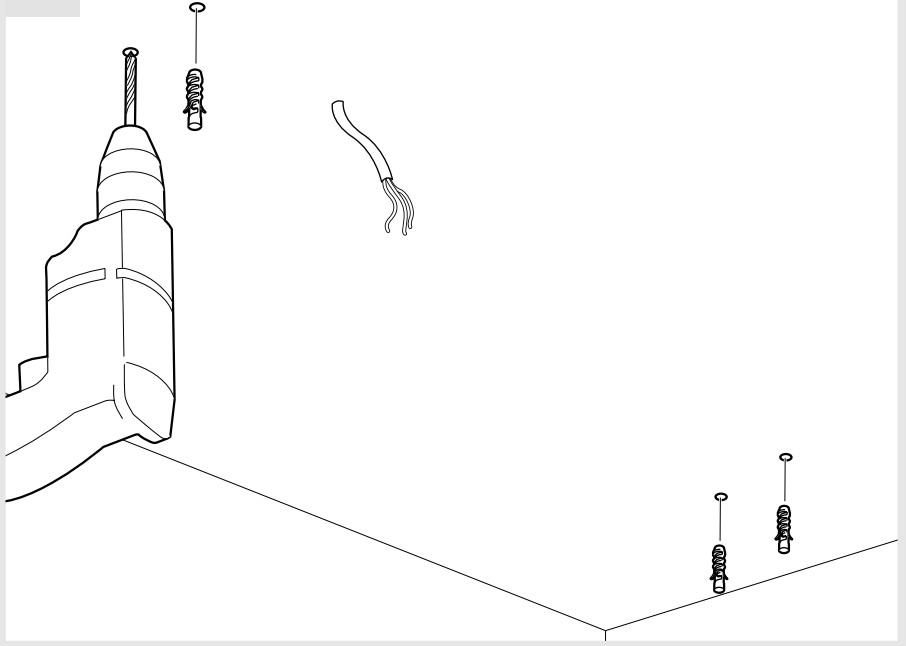
1



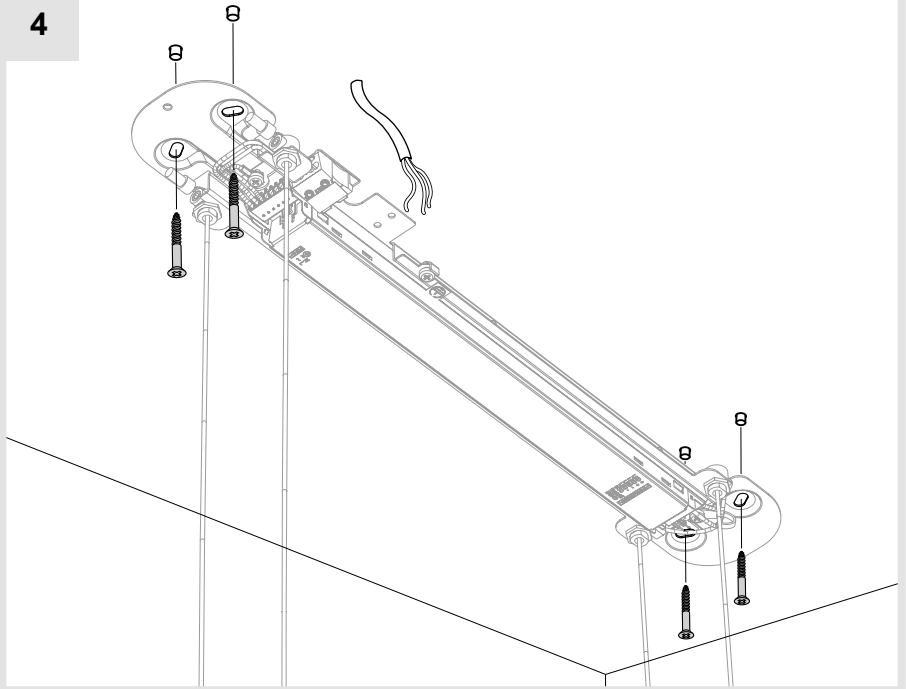
2



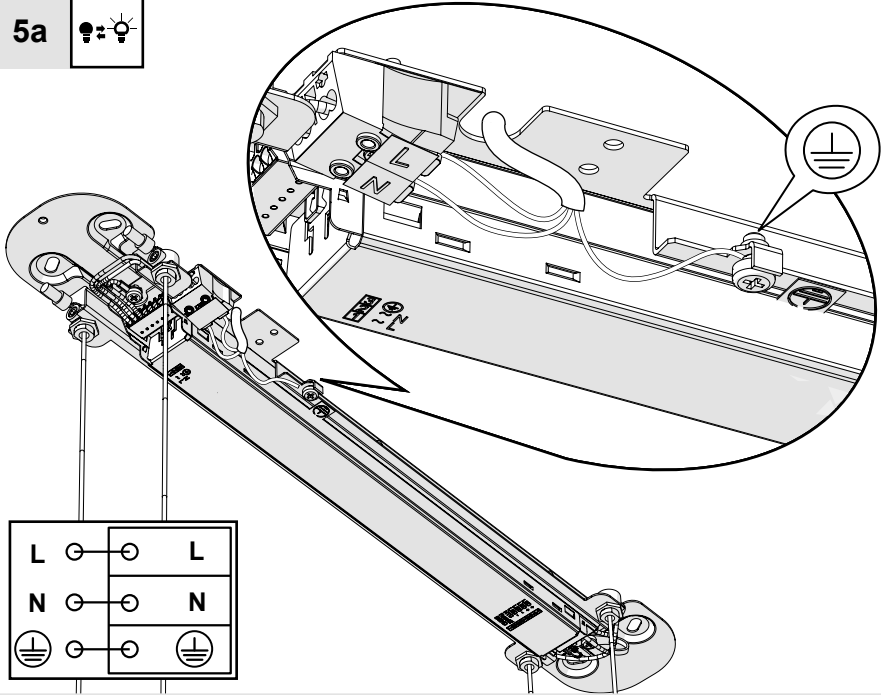
3



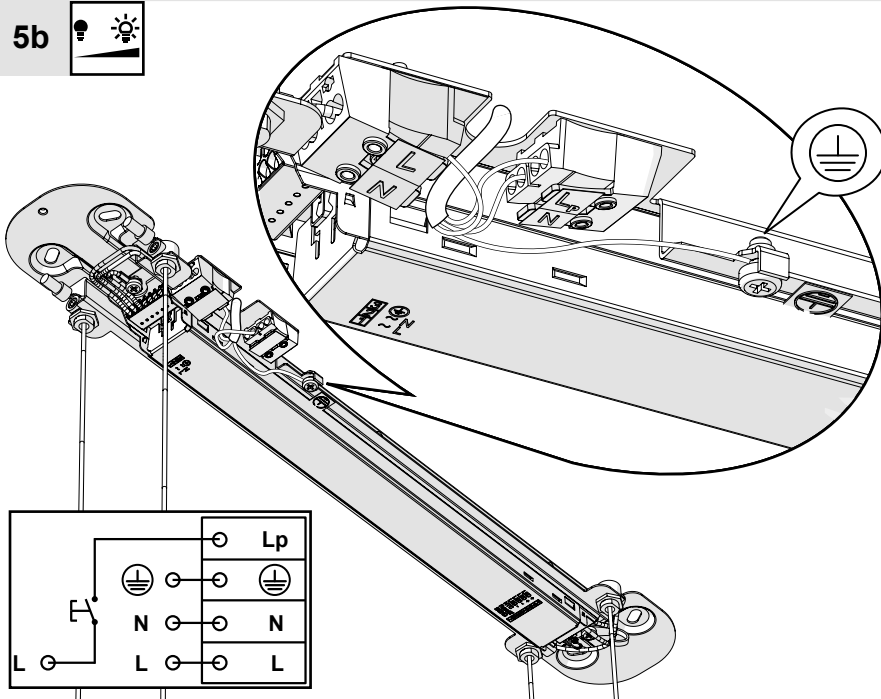
4



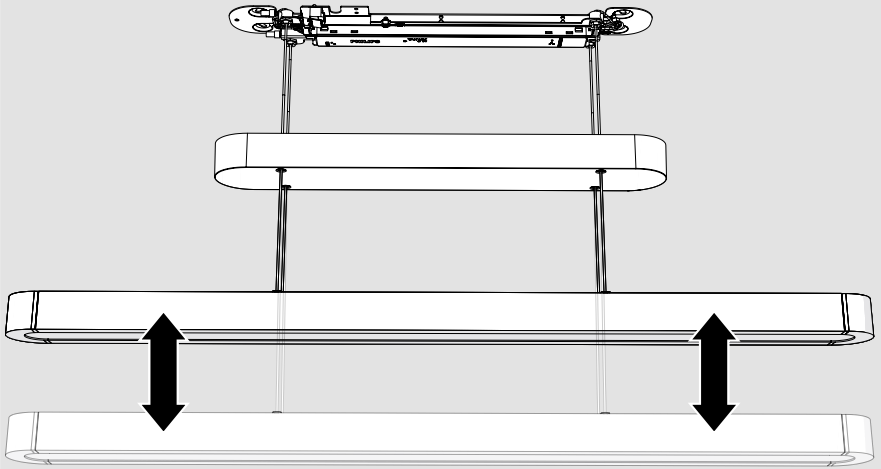
5a



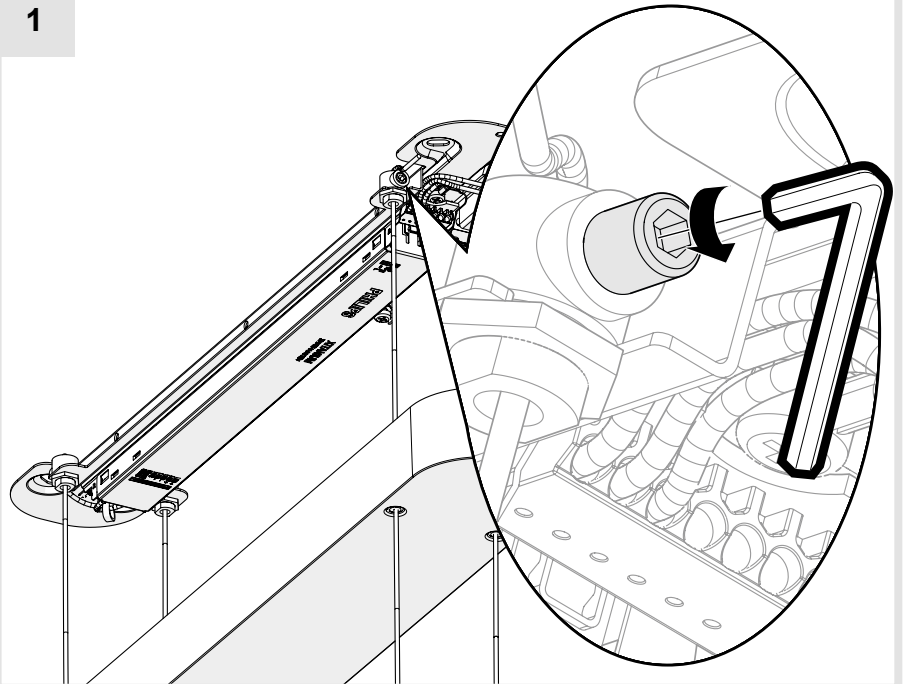
5b



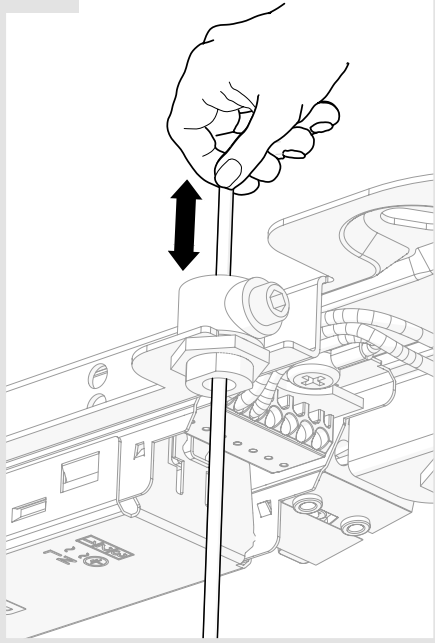
**i**



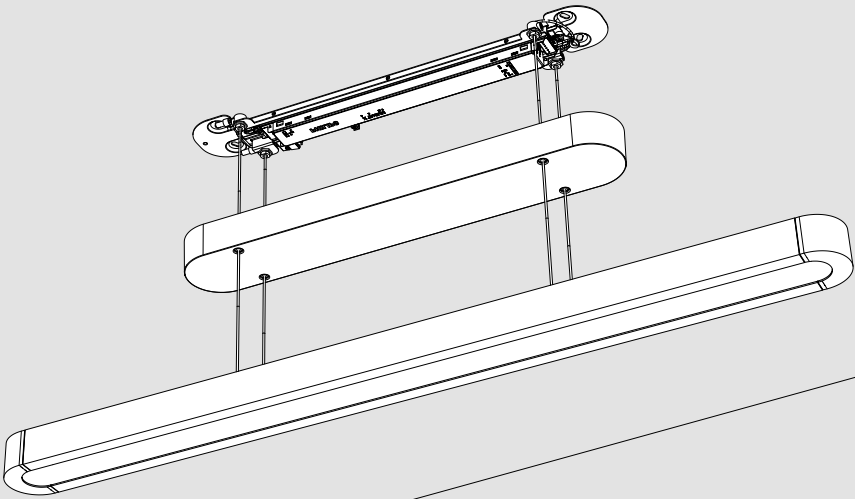
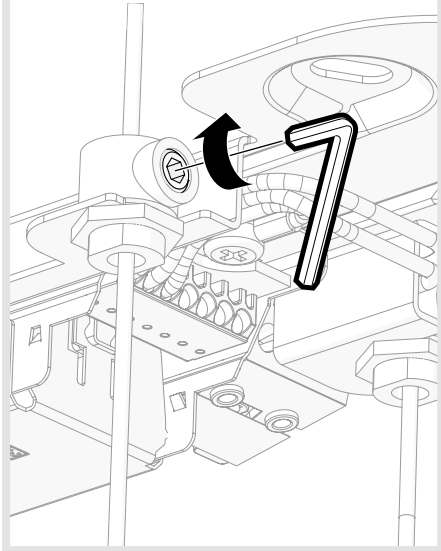
**1**



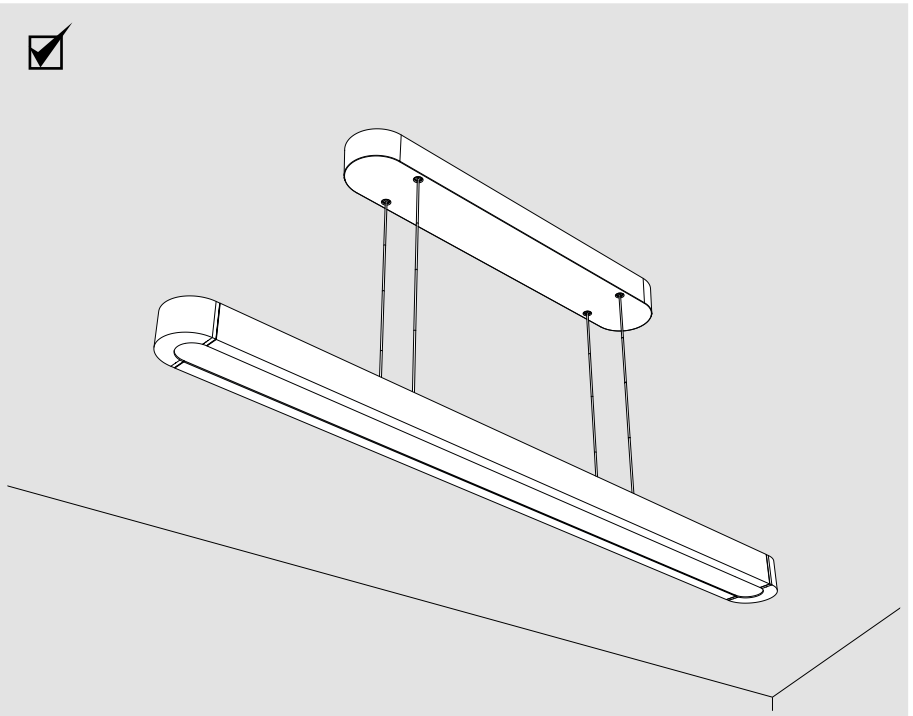
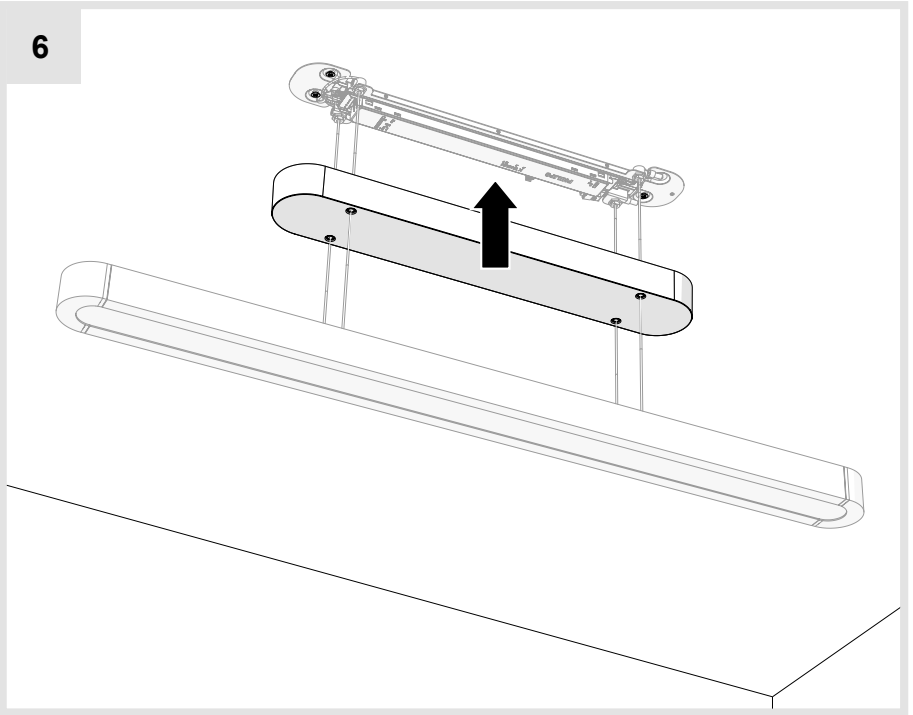
2



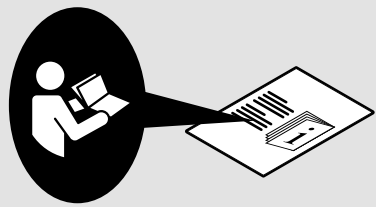
3



6



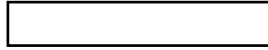








**Artemide®**



**Artemide**

via Bergamo, 18  
20006 Pregnana M.se (MI)  
ITALIA

tel. +39 02 935 181  
fax +39 02 935 90 254  
fax +39 02 935 90 496

[www.artemide.com](http://www.artemide.com)

VAT IT00846890150

cod. Y513000192D