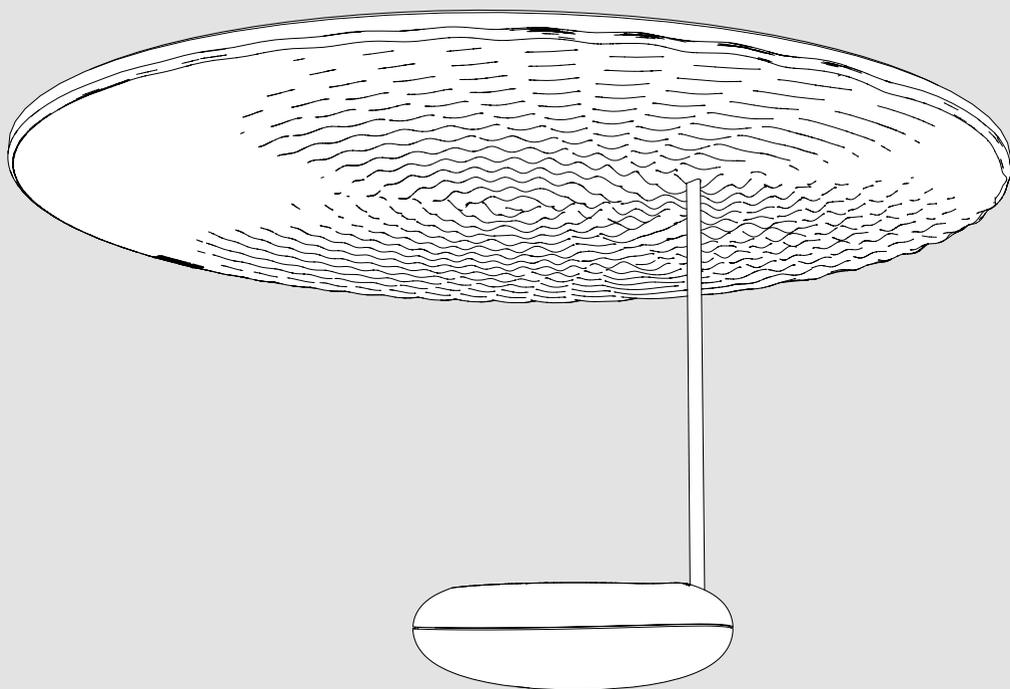


Artemide®

Droplet mini

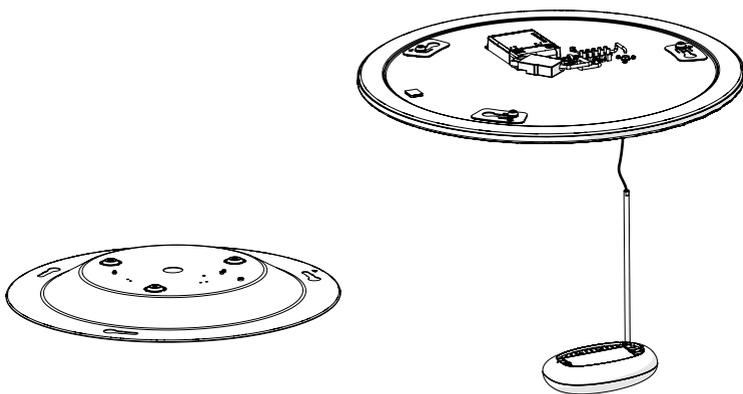
design
R. Lovegrove

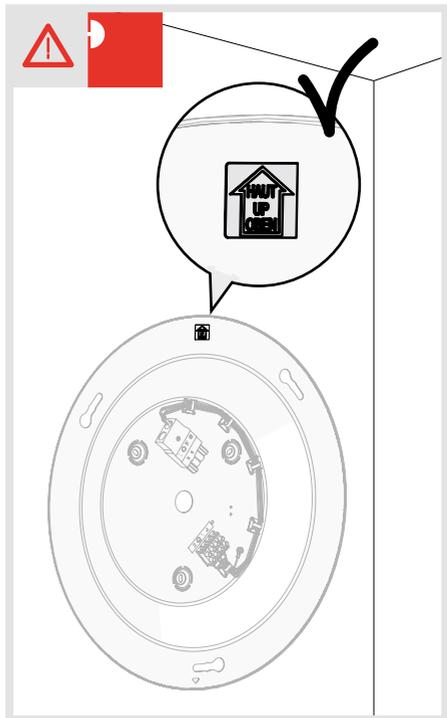
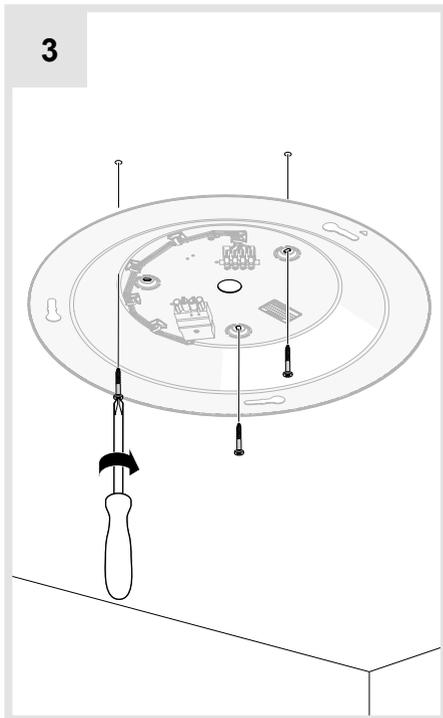
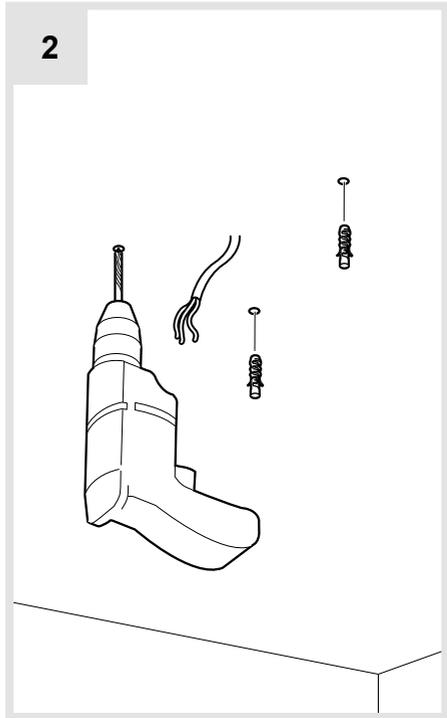
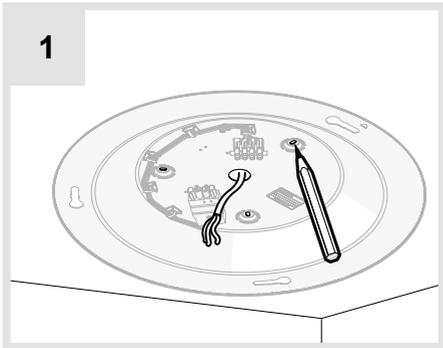
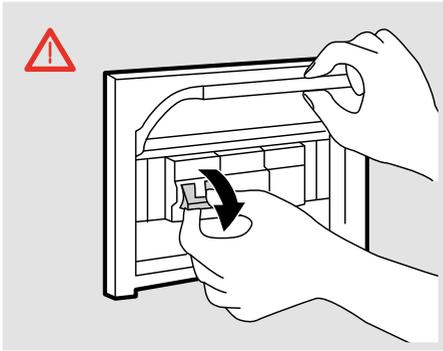


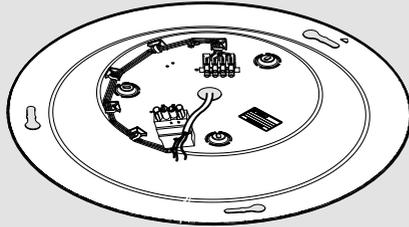


i

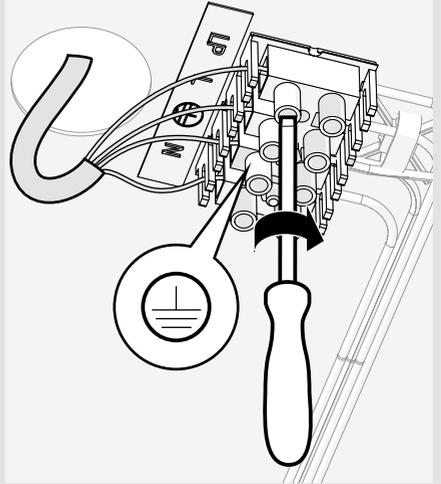
CE		IP20		
LED 1				
UK CA				



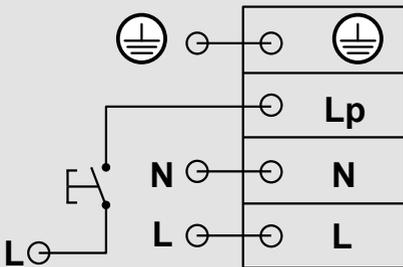




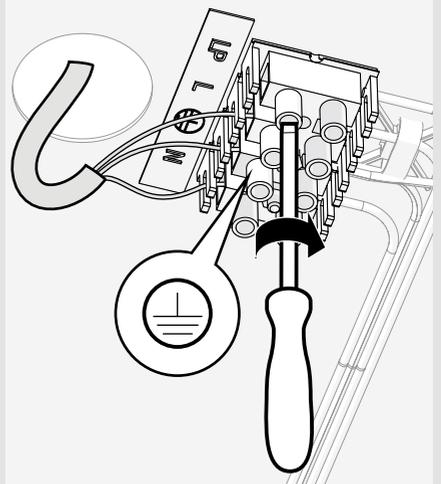
4a



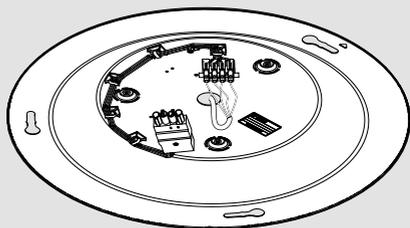
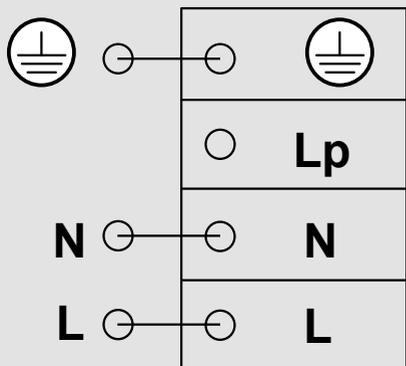
i



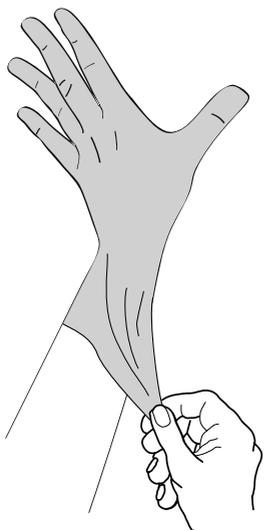
4b



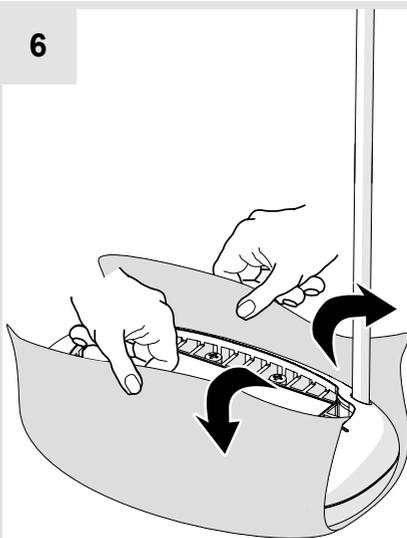
i



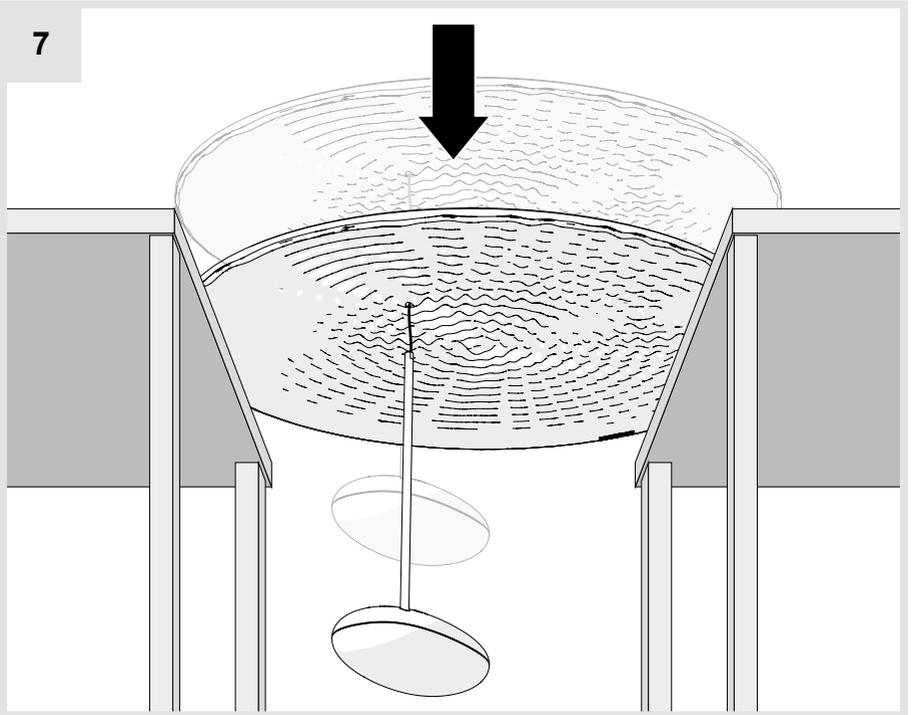
5



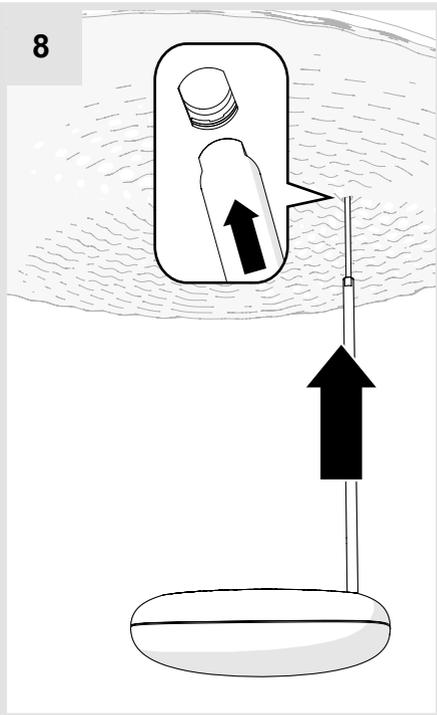
6



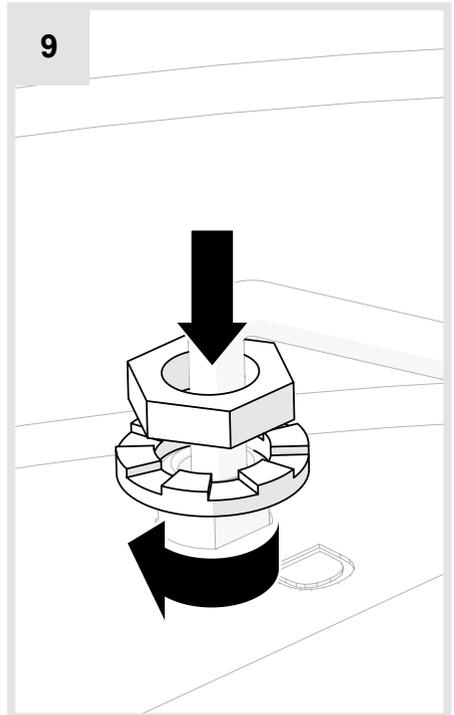
7



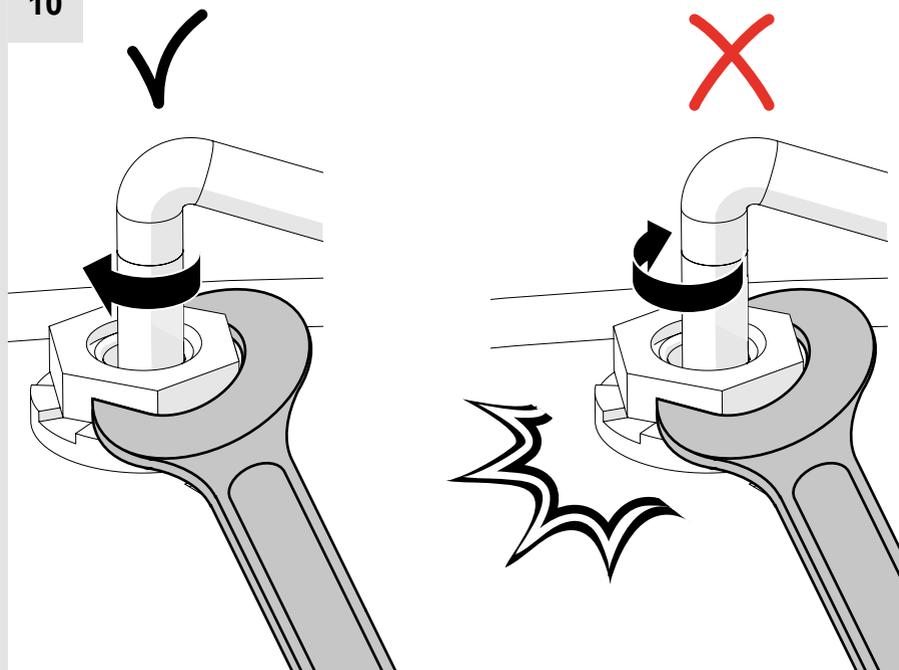
8



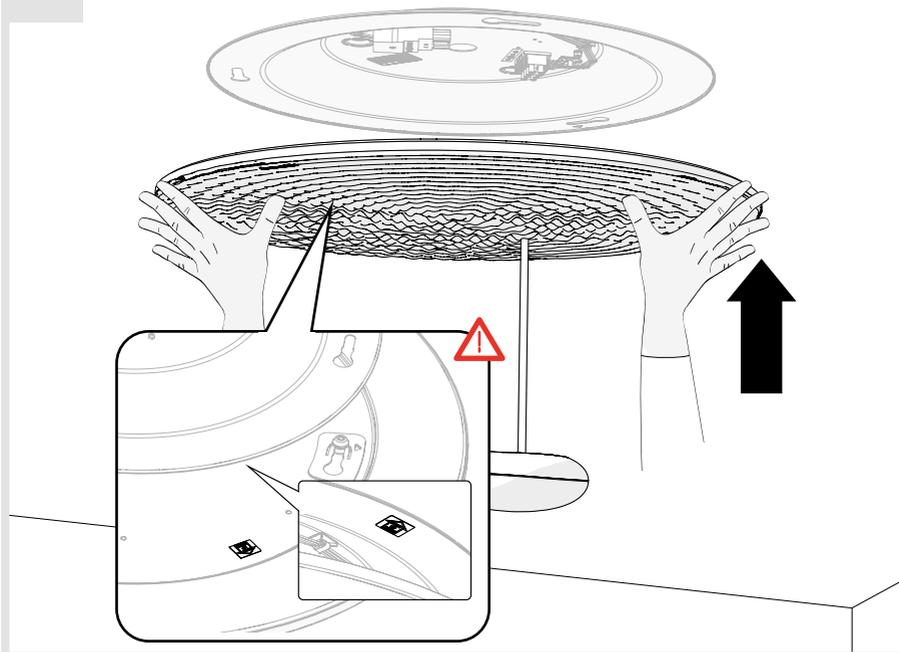
9



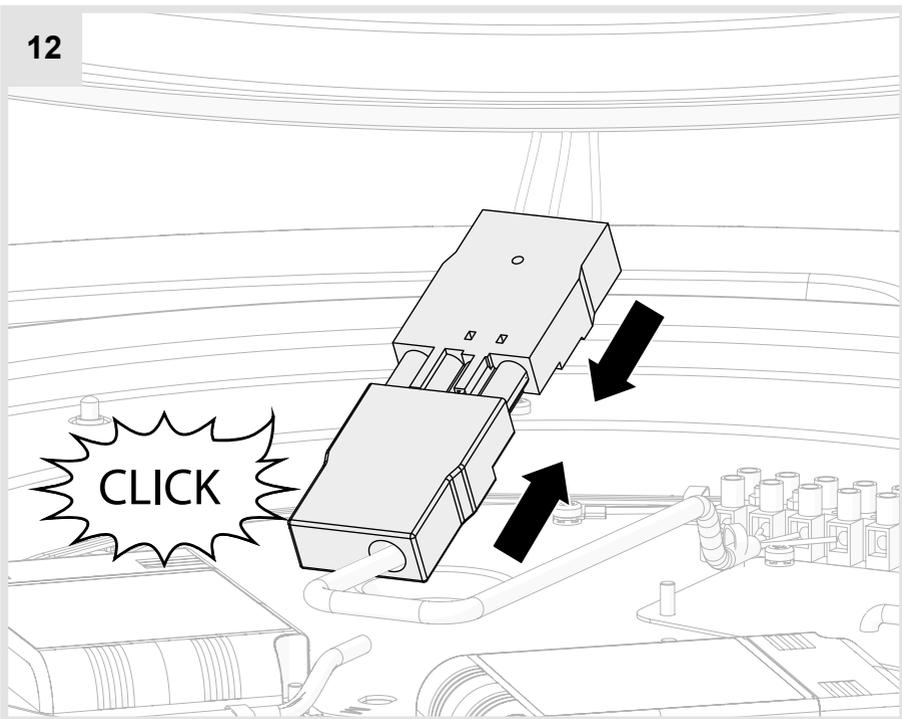
10



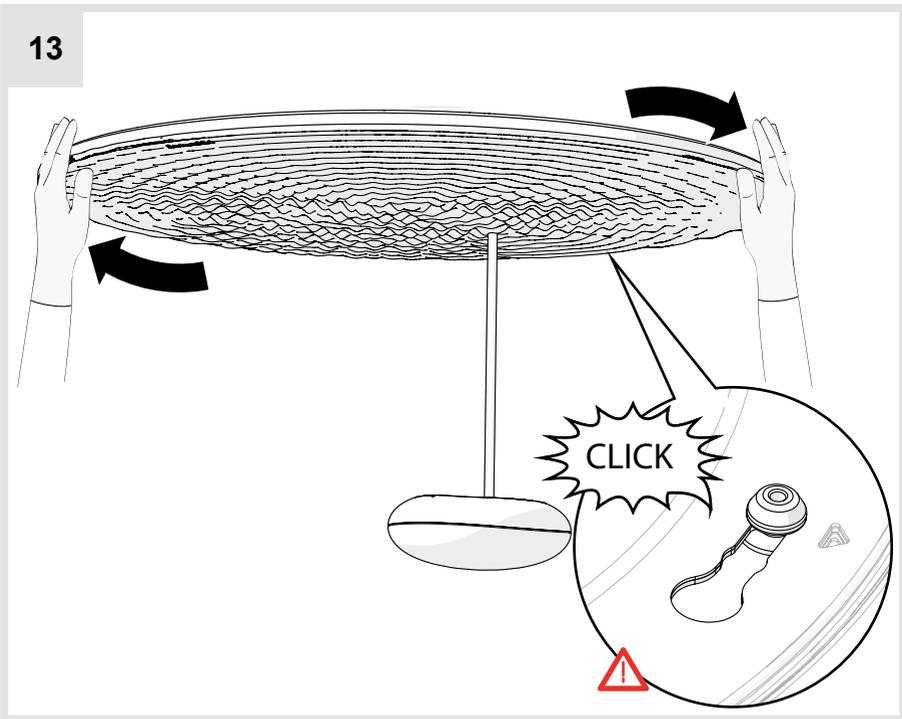
11



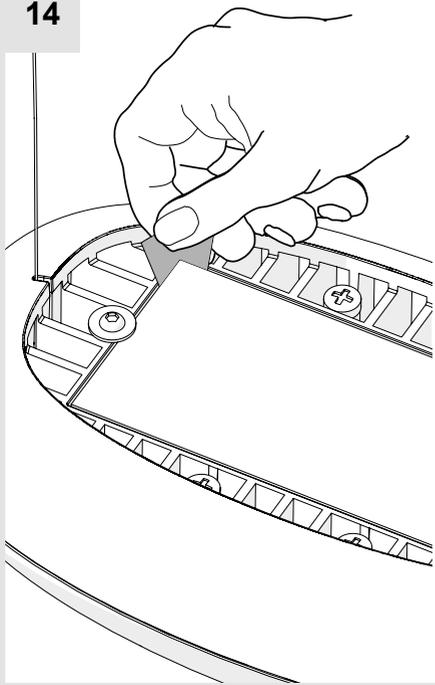
12



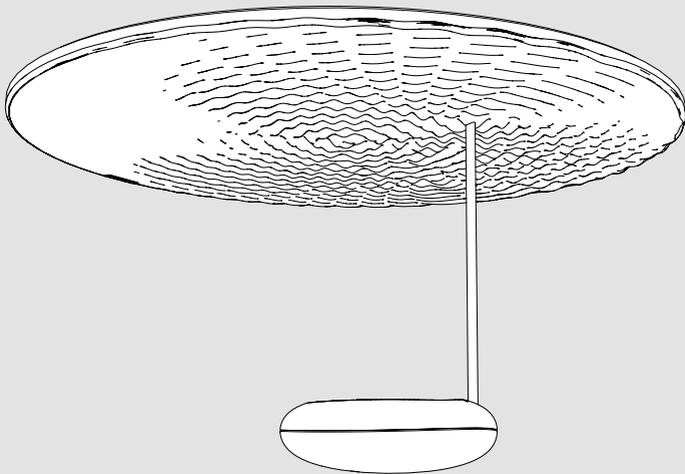
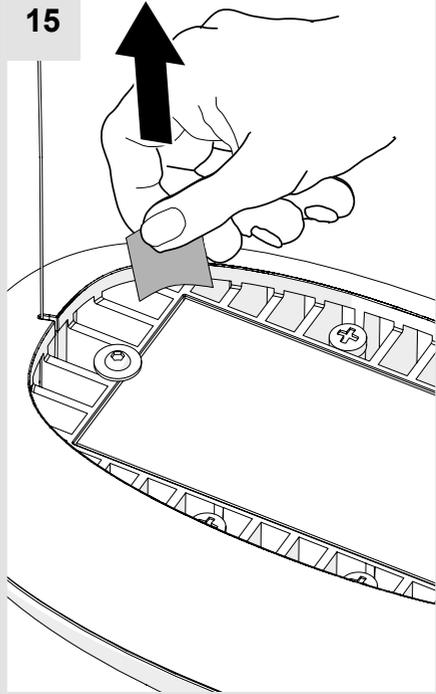
13

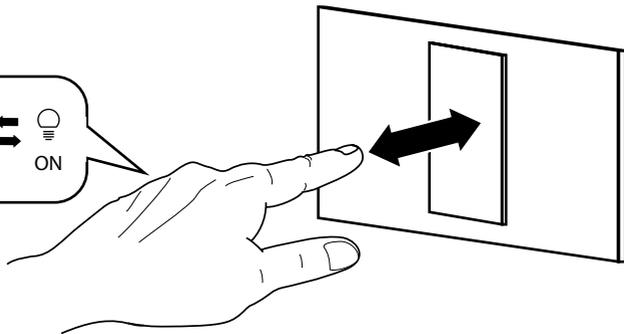
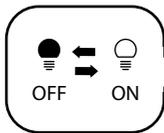
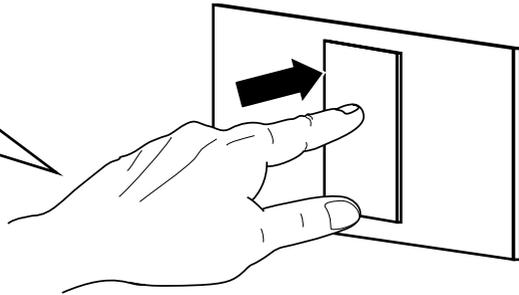
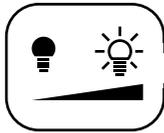


14

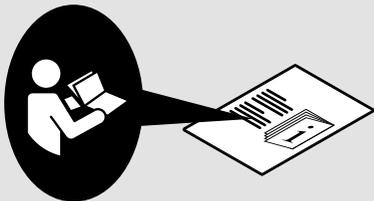


15





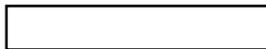
i



1



Artemide®



Artemide

via Bergamo, 18
20006 Pregnana M.se (MI)
ITALIA

tel. +39 02 935 181
fax +39 02 935 90 254
fax +39 02 935 90 496

www.artemide.com

VAT IT00846890150

cod. Y513000278B