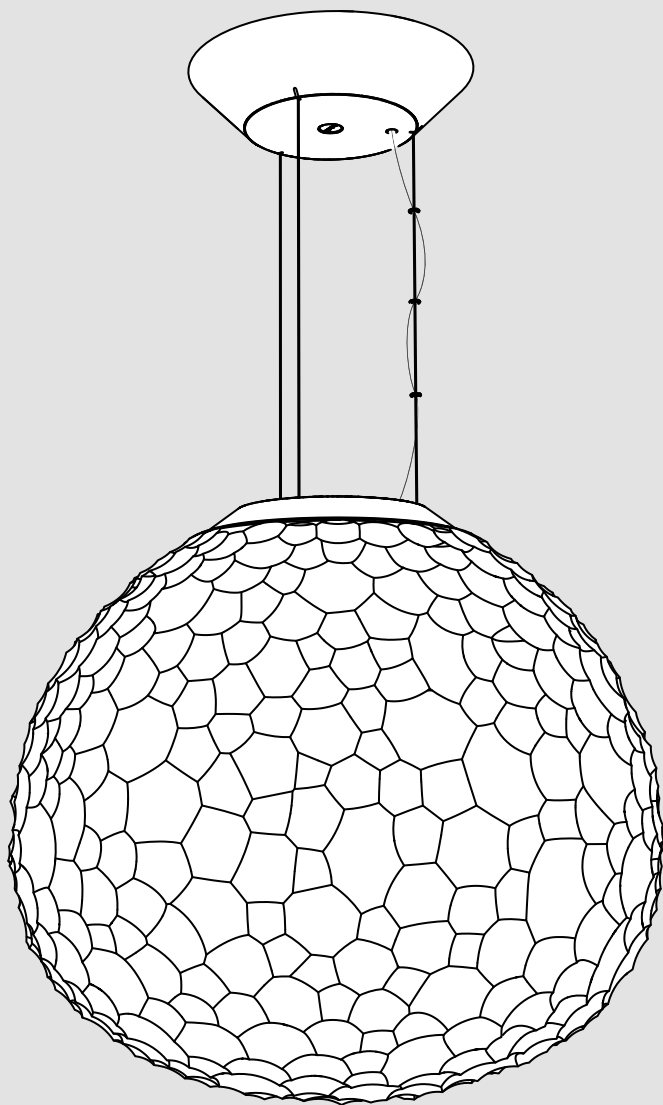


Artemide®

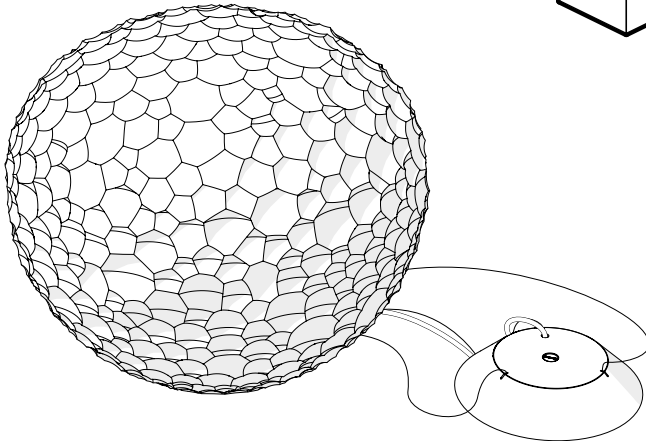
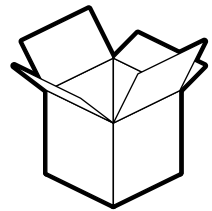
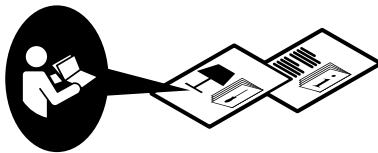
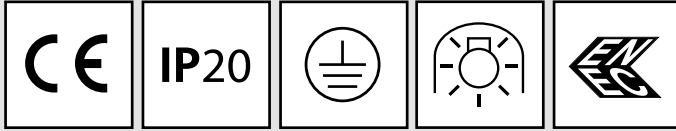
Meteorite 48

design
Pio & Tito Toso

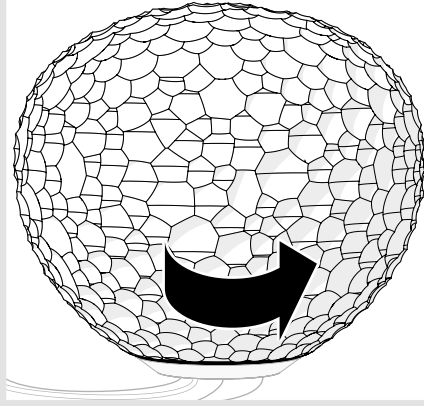




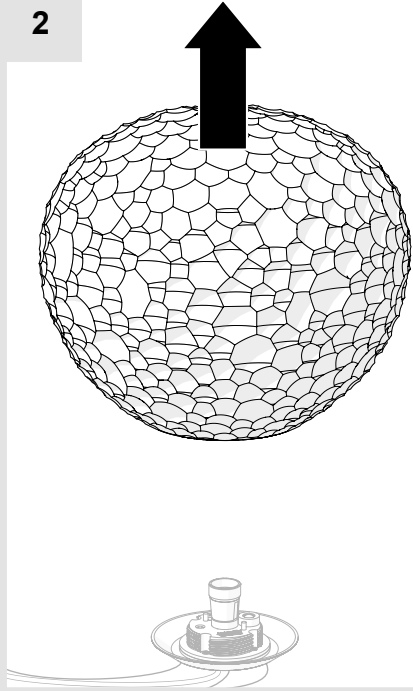
i



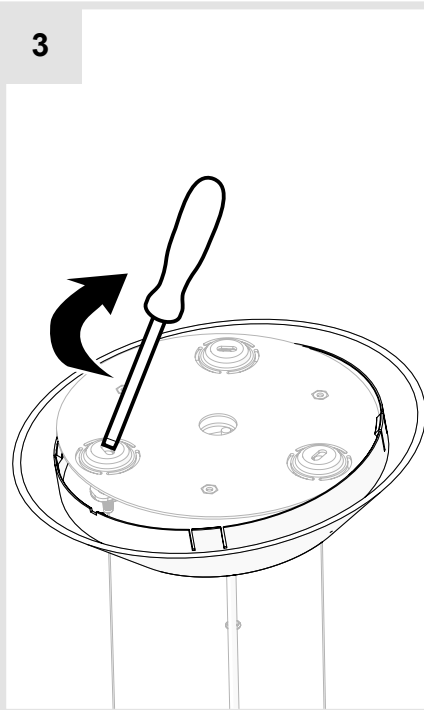
1



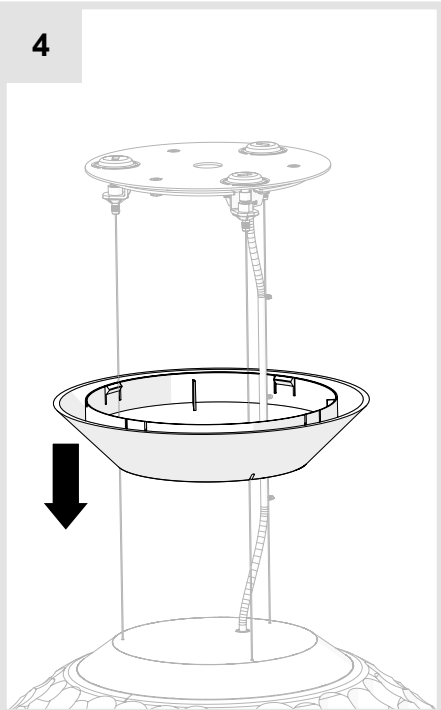
2

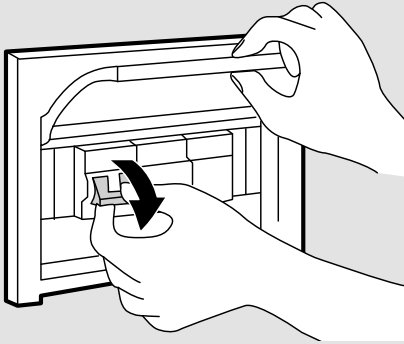


3

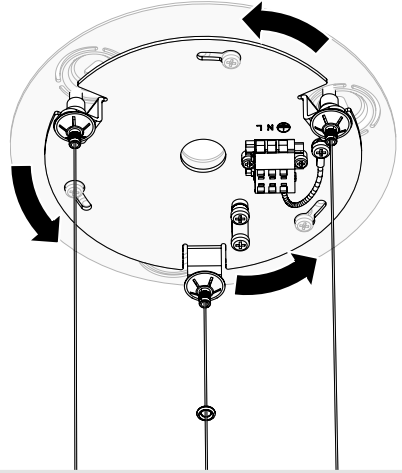


4

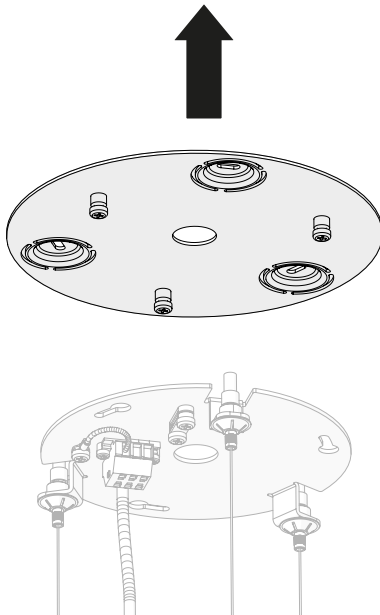




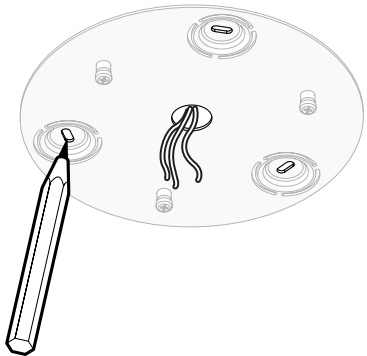
5



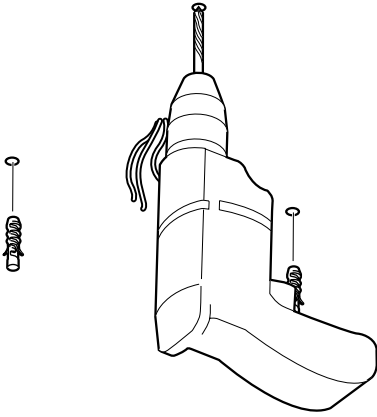
6



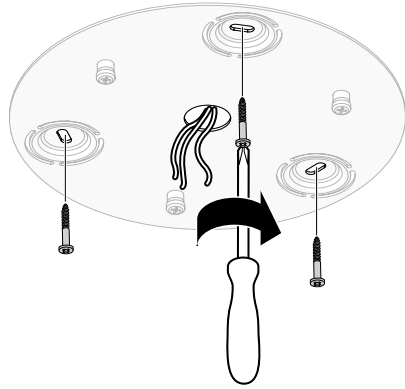
7



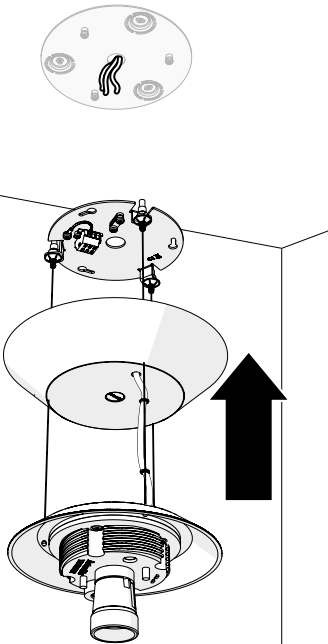
8



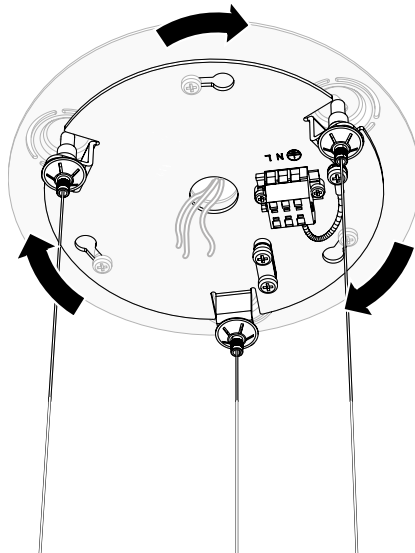
9



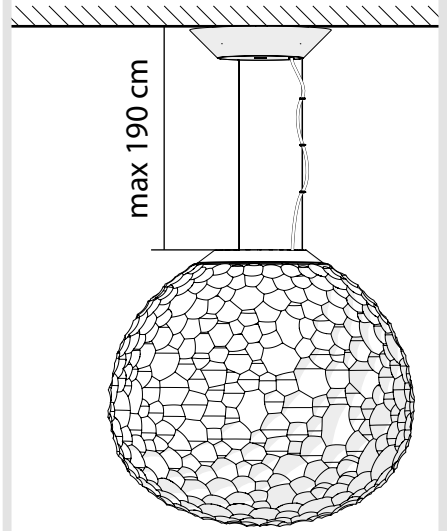
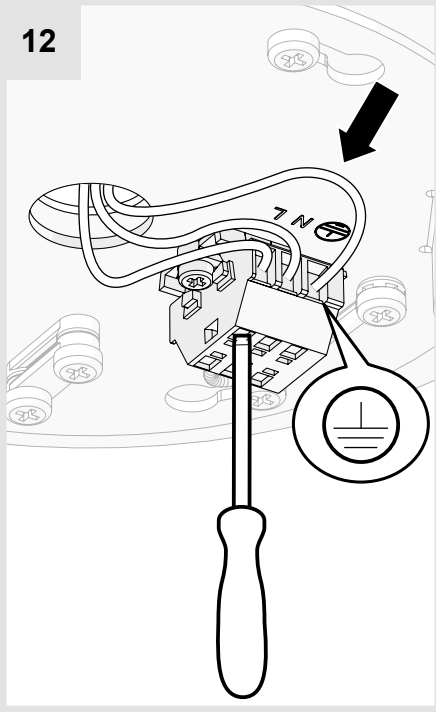
10



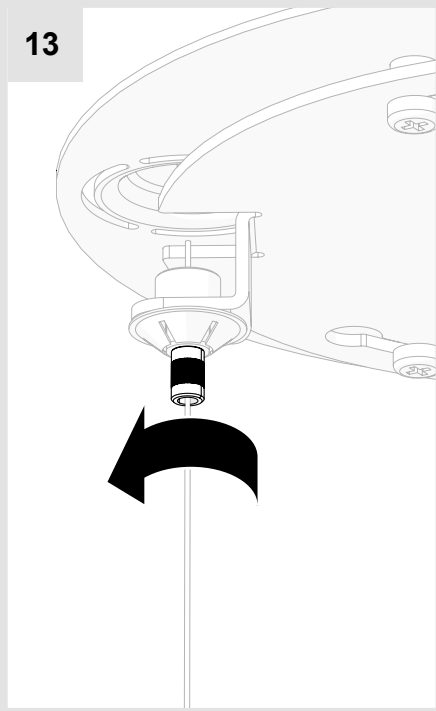
11



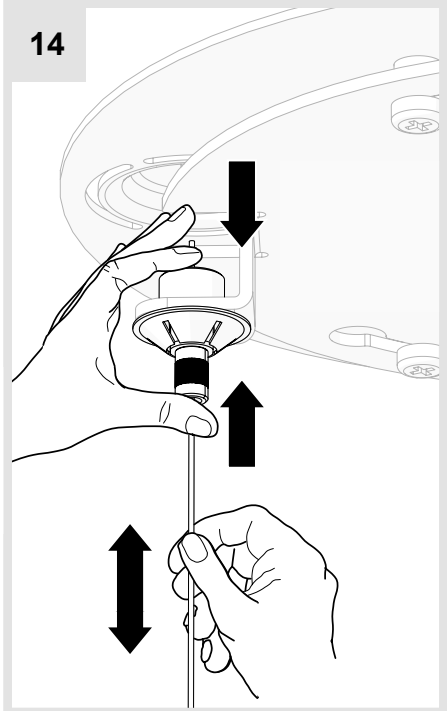
12



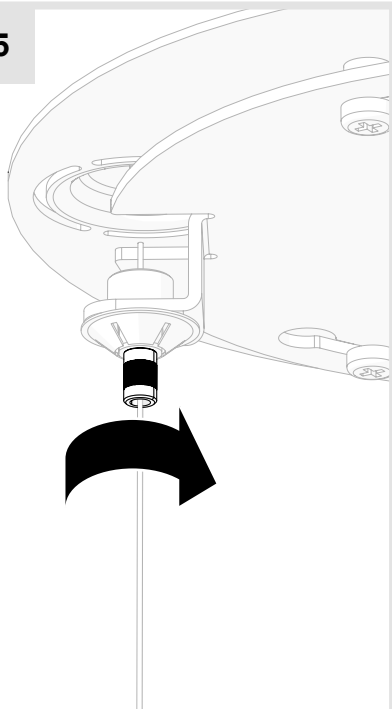
13



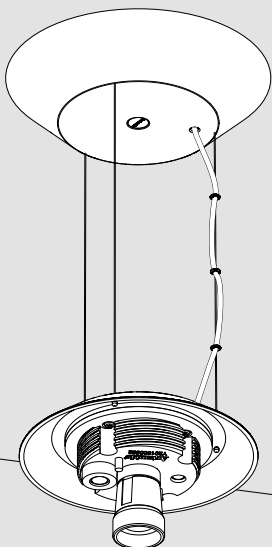
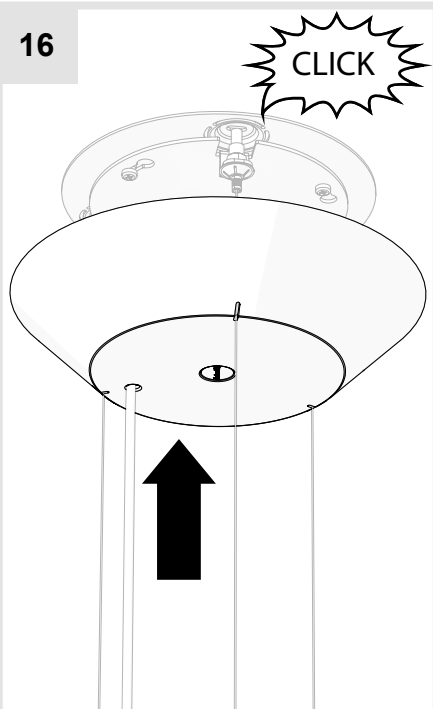
14



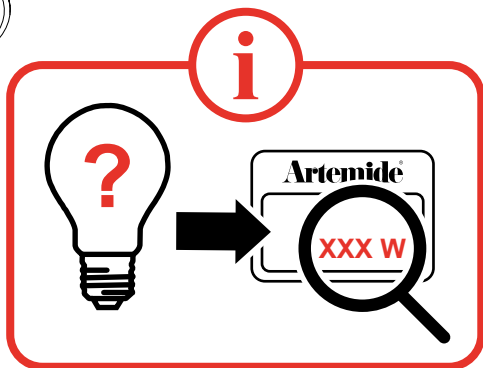
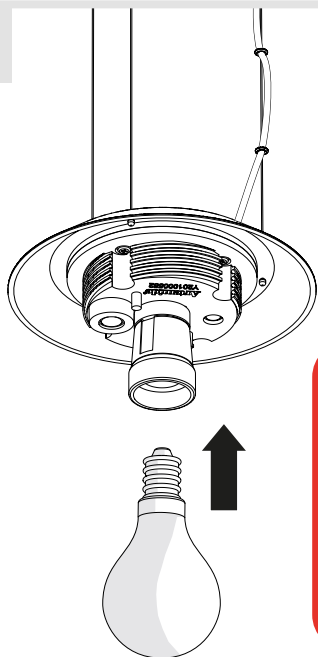
15



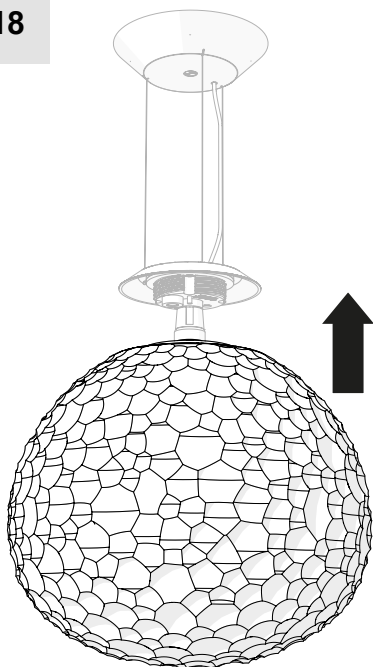
16



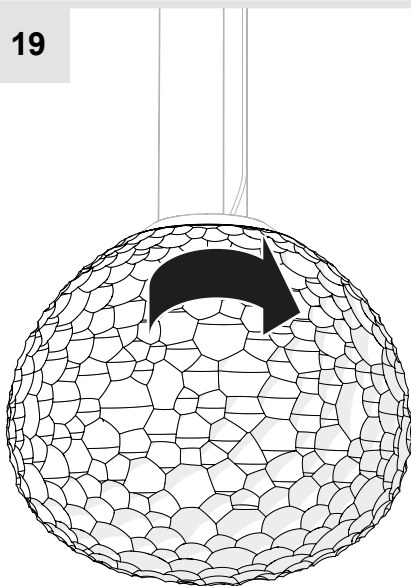
17

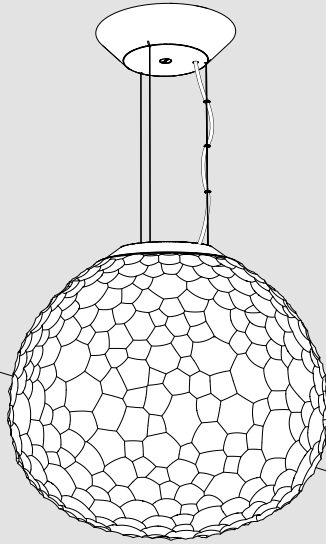


18



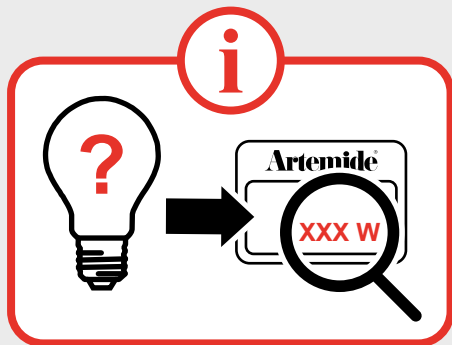
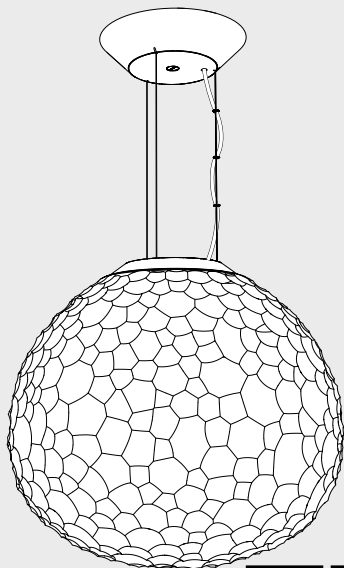
19







i



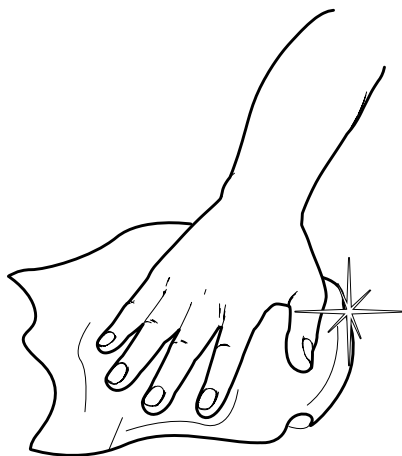
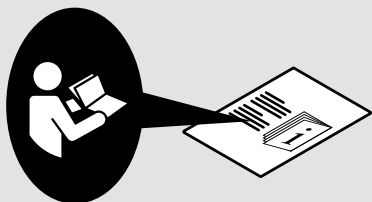
1

2

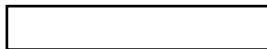
17

18

19



Artemide®



Artemide

via Bergamo, 18
20006 Pregnana M.se (MI)
ITALIA

tel. +39 02 935 181
fax +39 02 935 90 254
fax +39 02 935 90 496

www.artemide.com

VAT IT00846890150

cod. Y513000579C