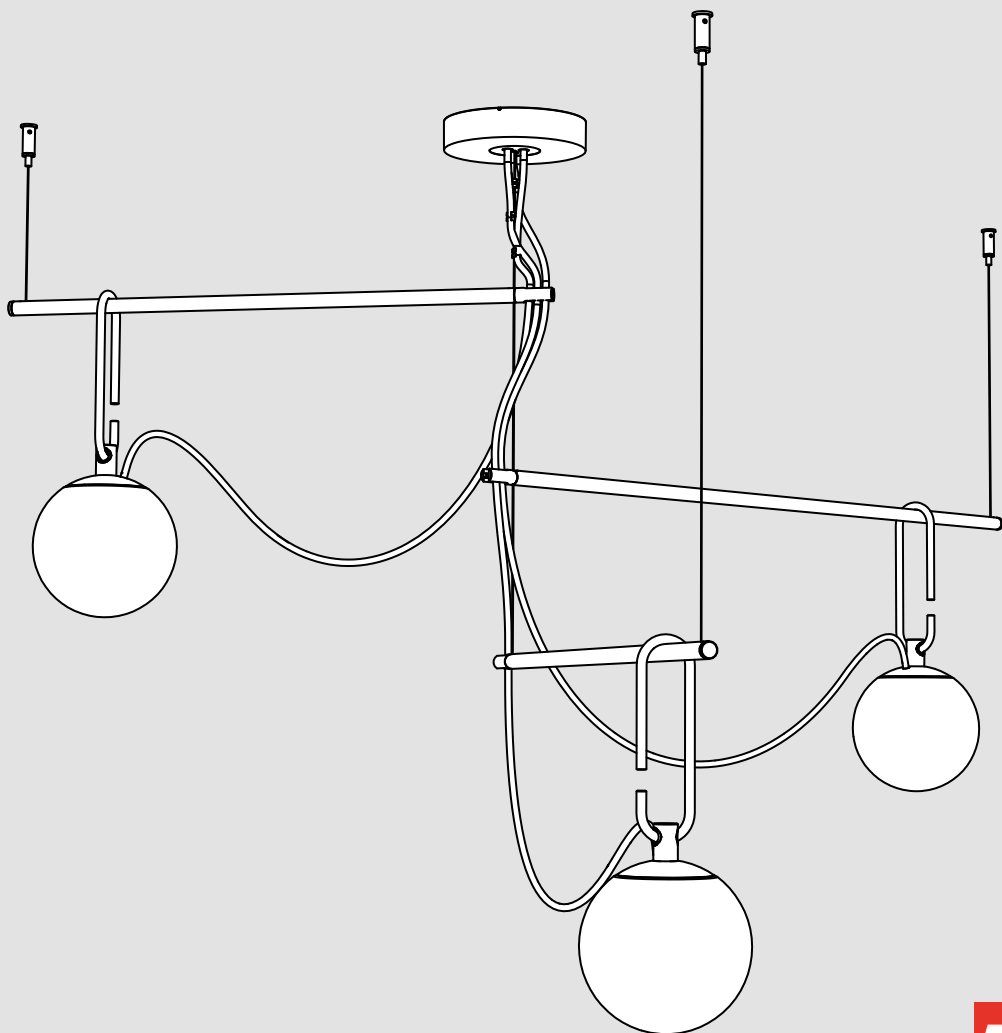


# Artemide®

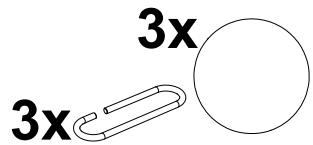
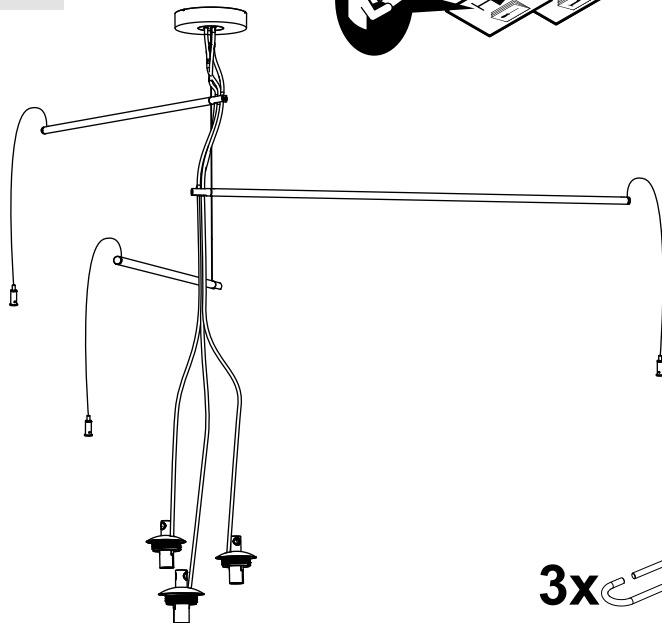
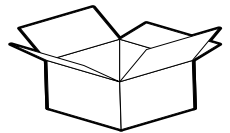
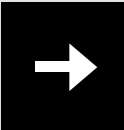
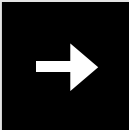
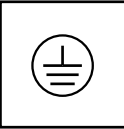
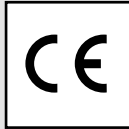
## nh S3

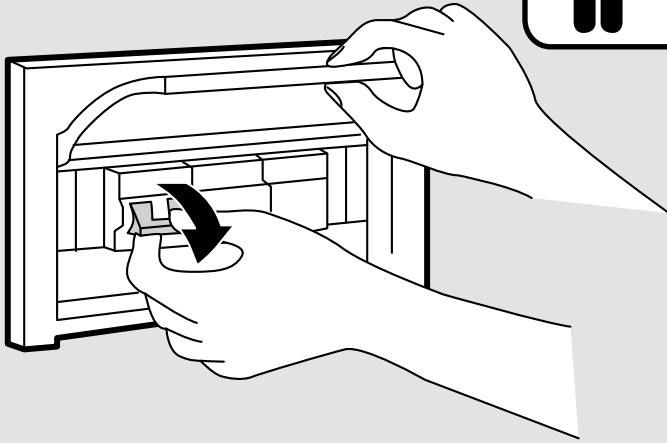
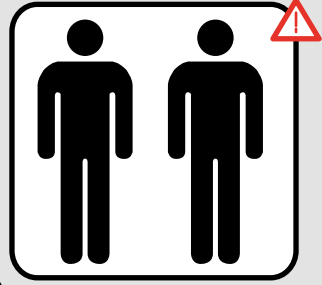
design  
Neri & Hu



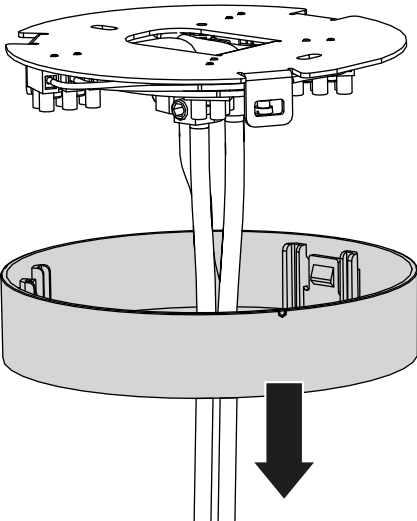


i





1

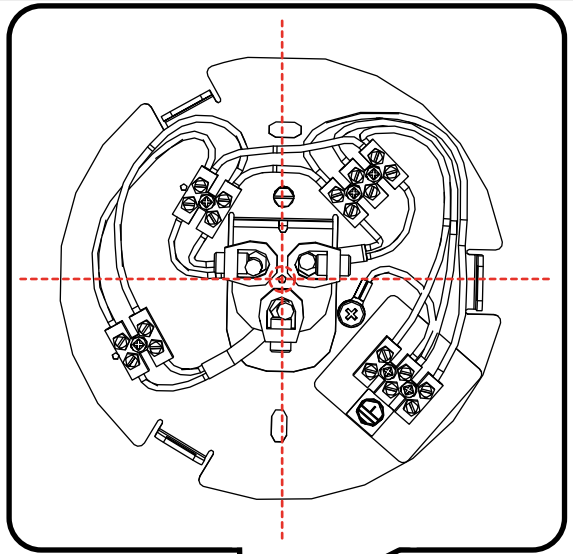


2

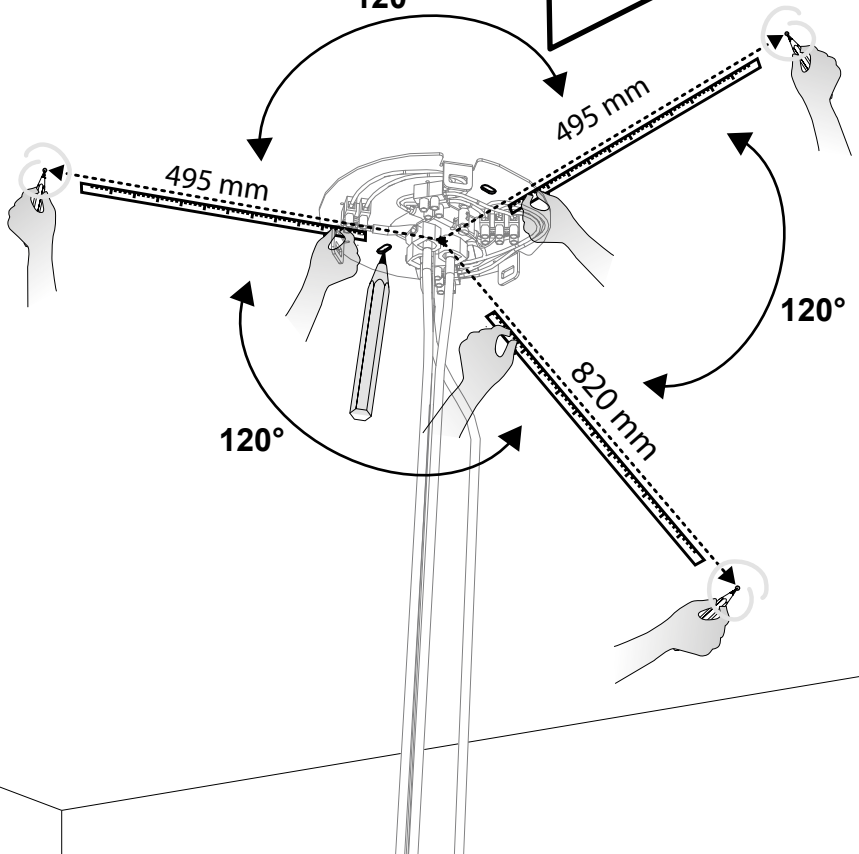


3

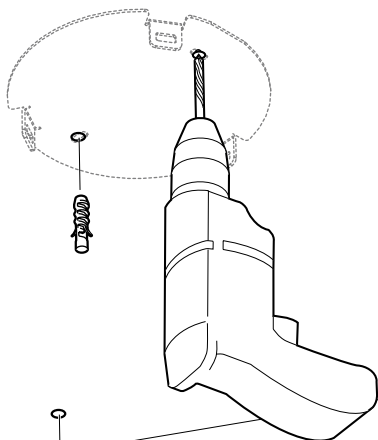




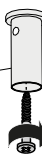
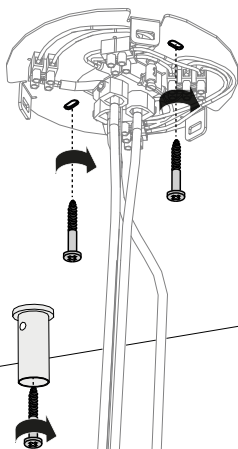
120°



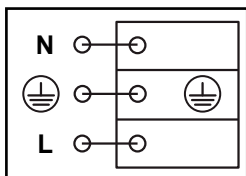
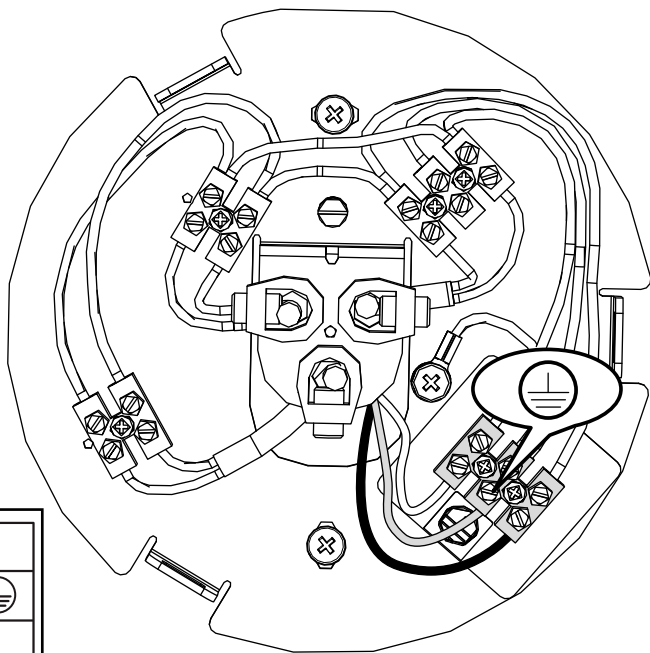
5



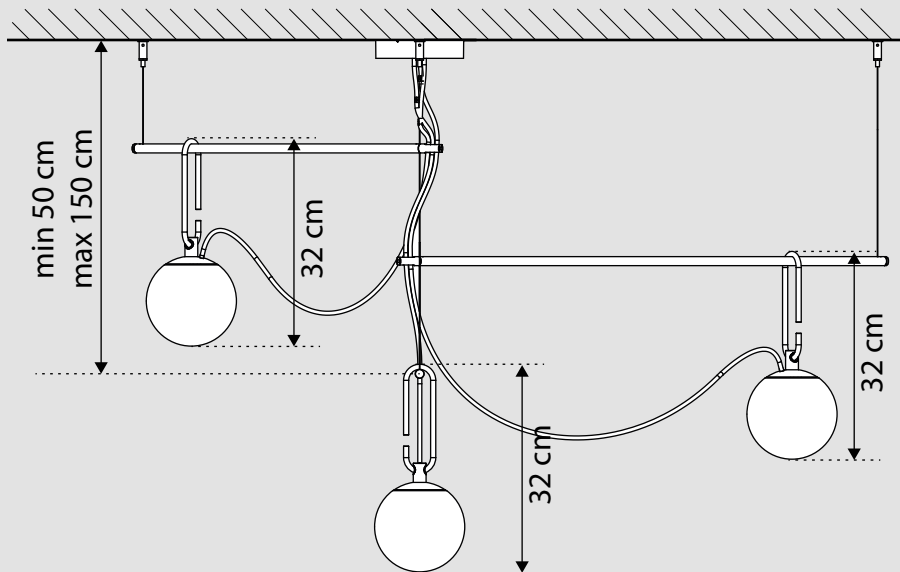
6



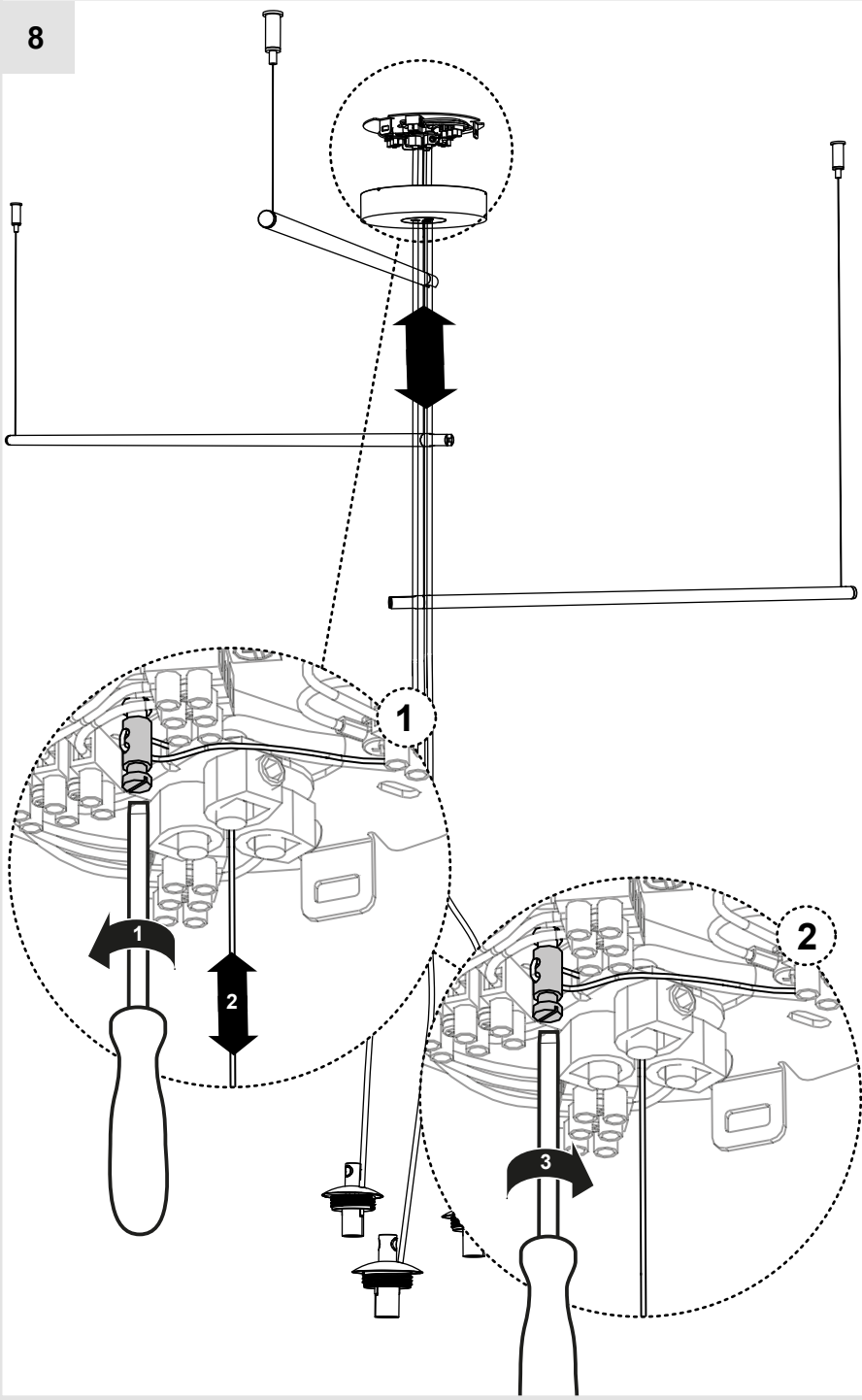
7



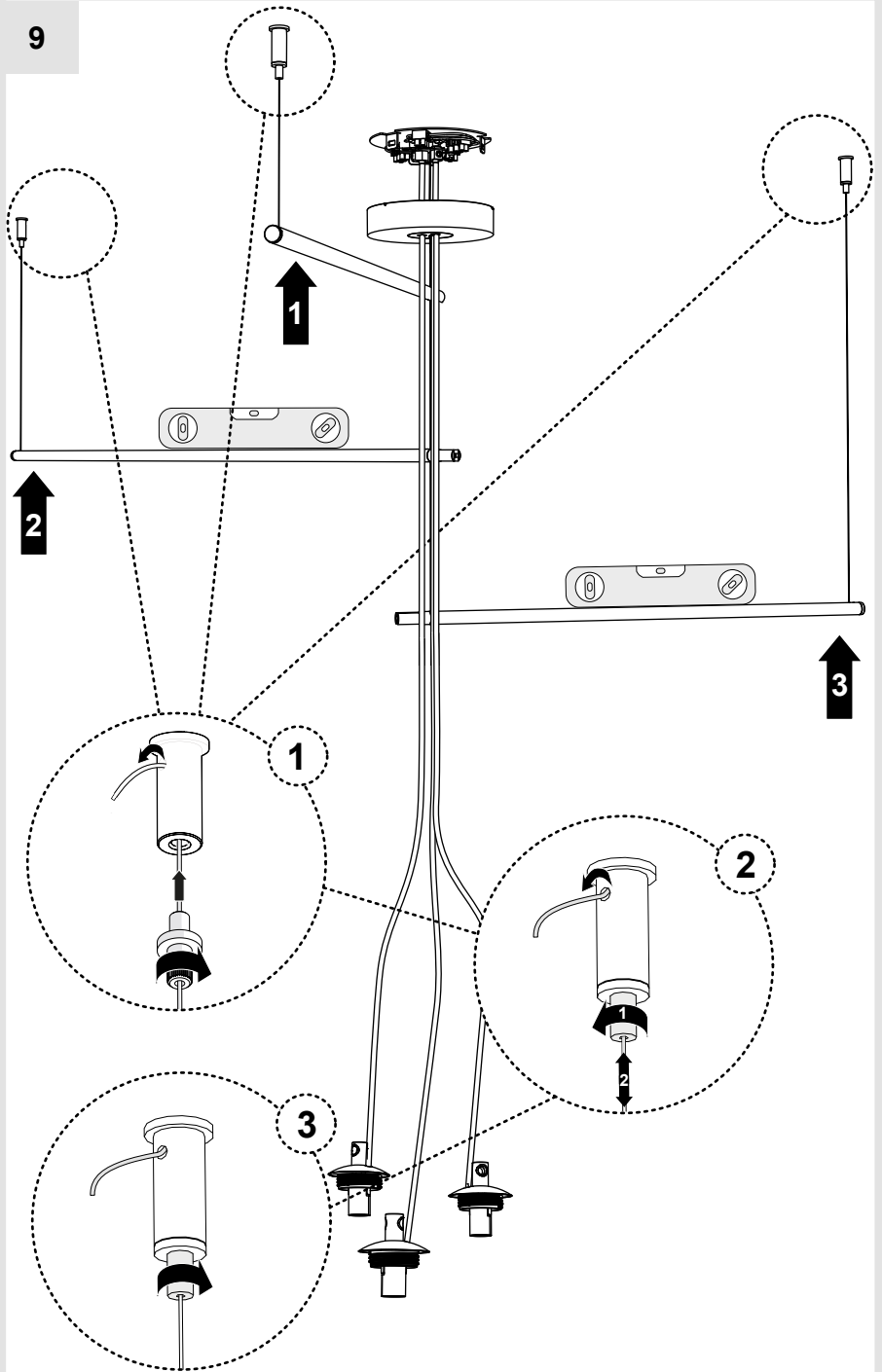
**i**



8

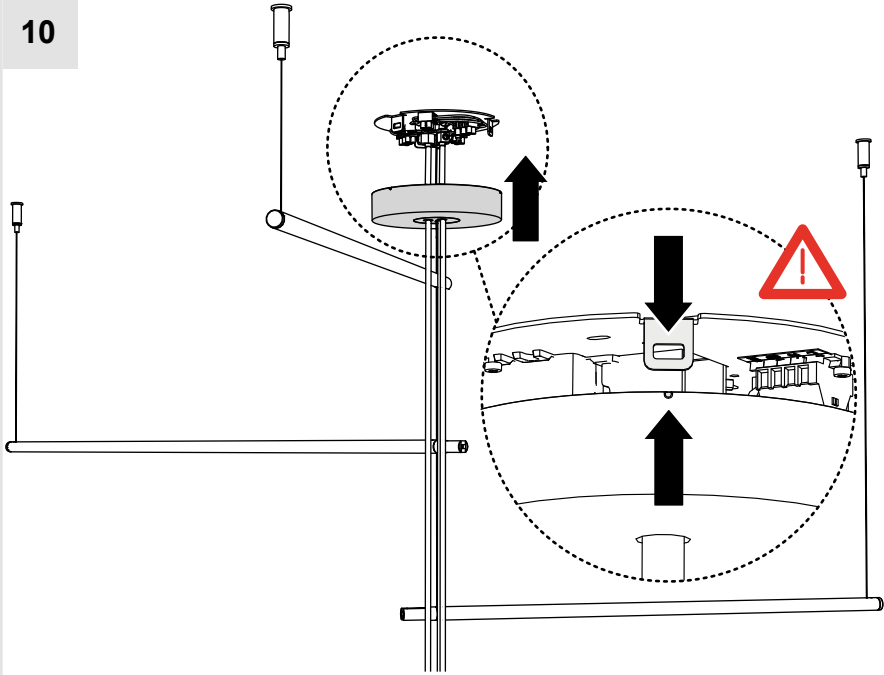


9

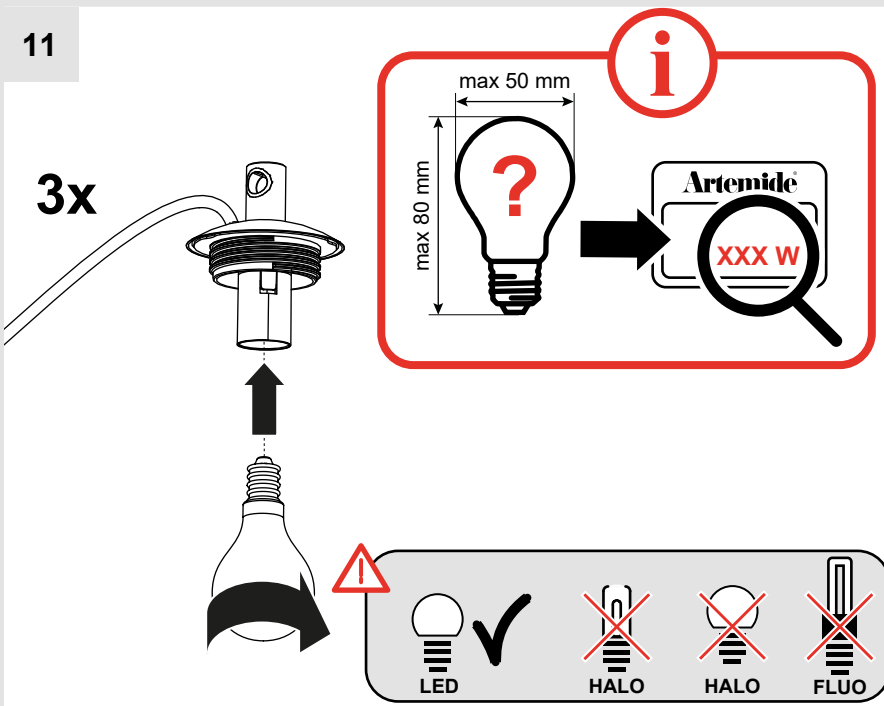




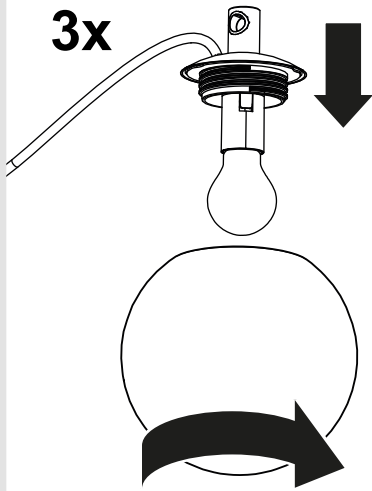
10



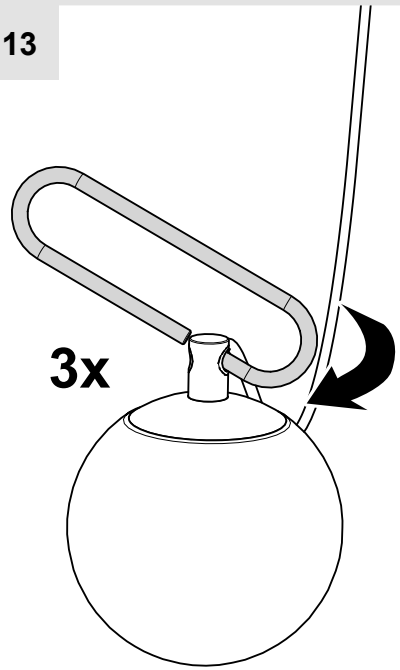
11



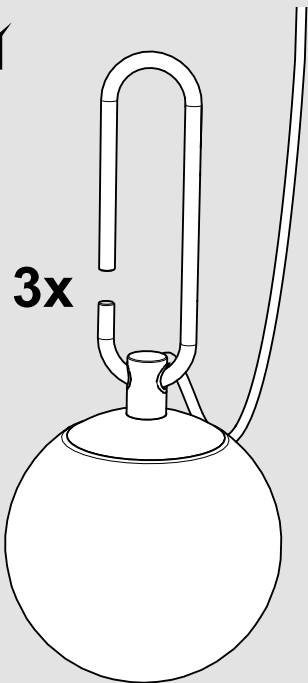
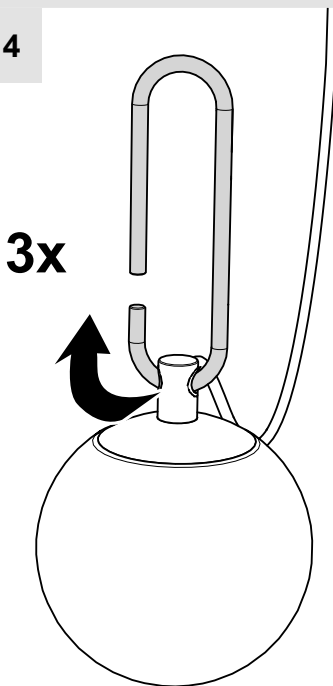
12



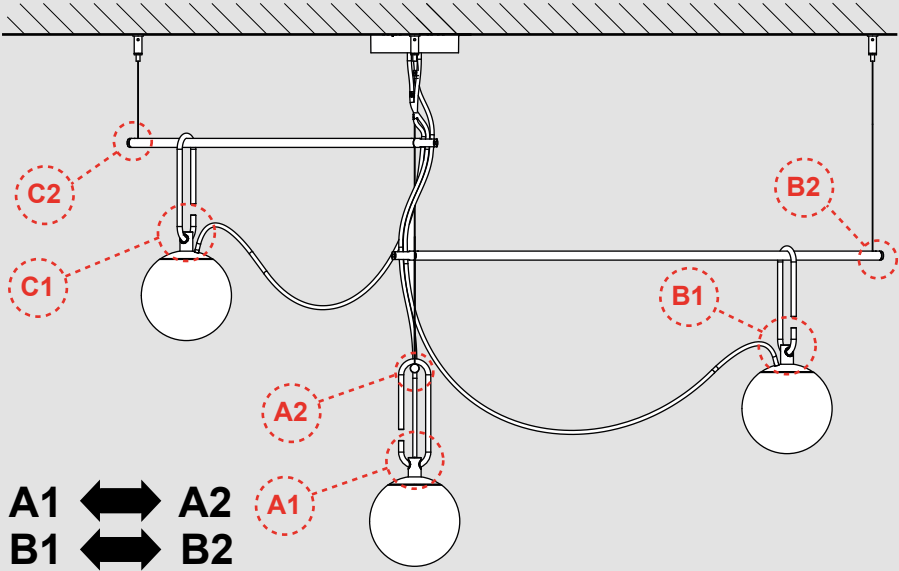
13



14

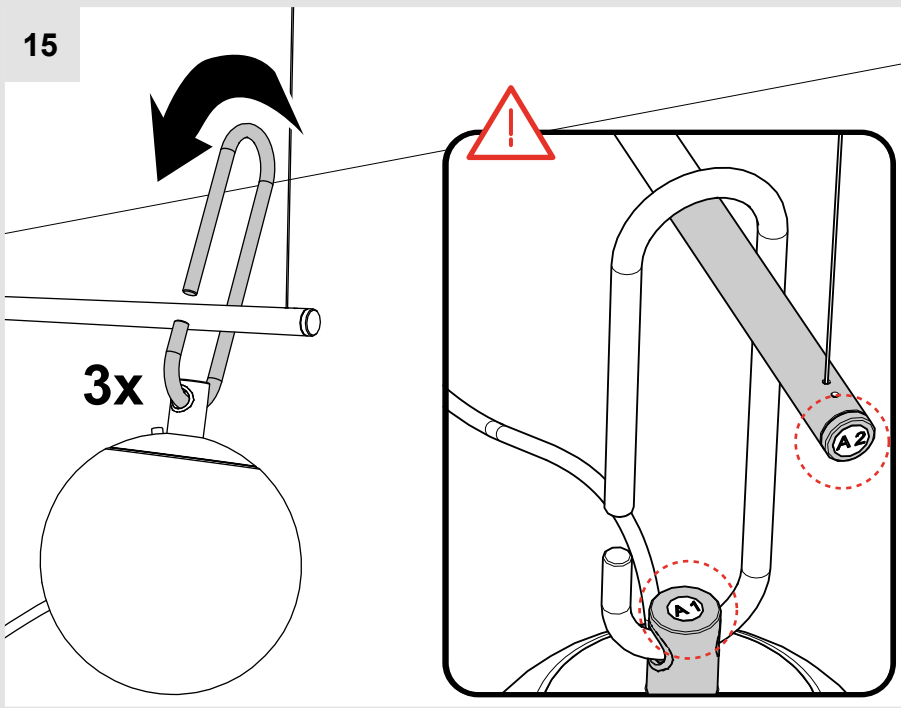


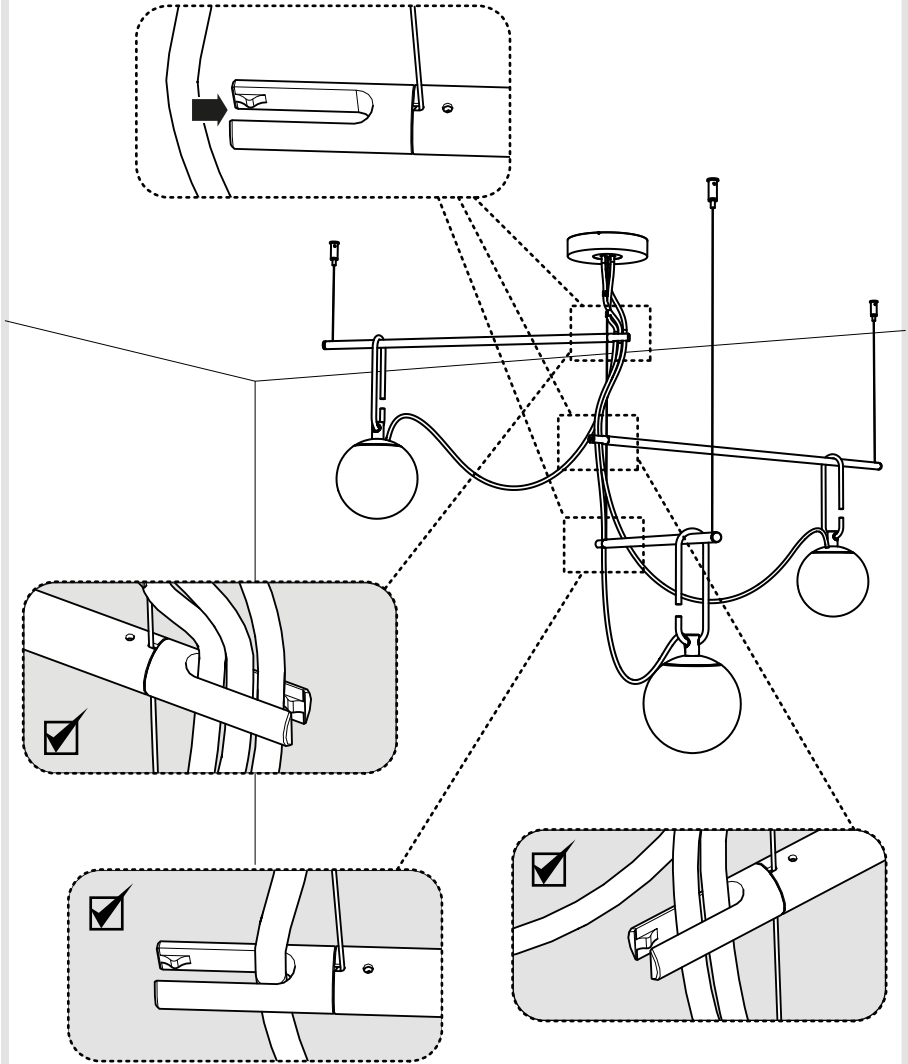
**i**



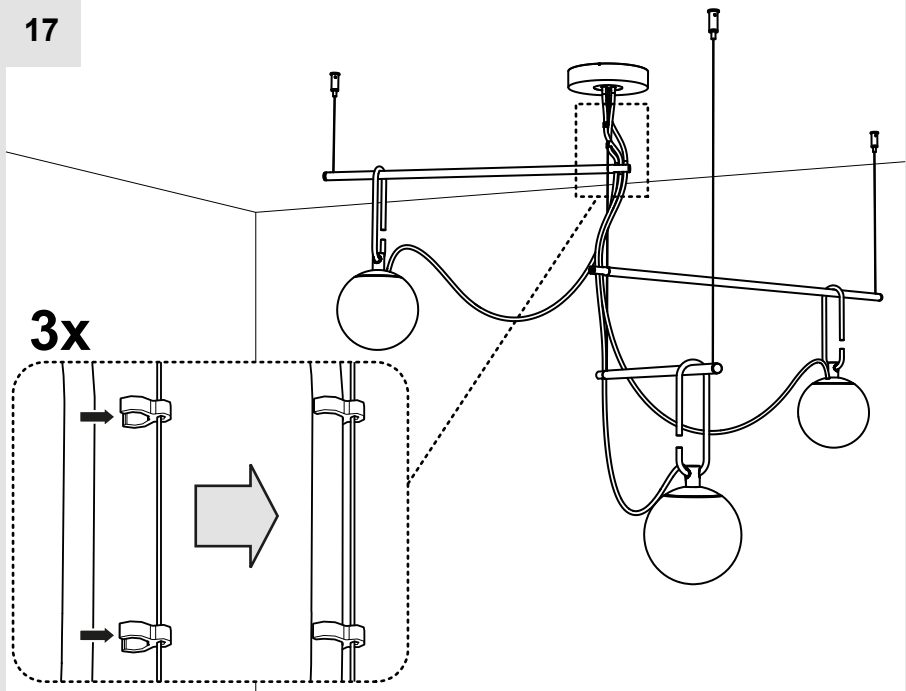
**A1** ↔ **A2**  
**B1** ↔ **B2**  
**C1** ↔ **C2**

15



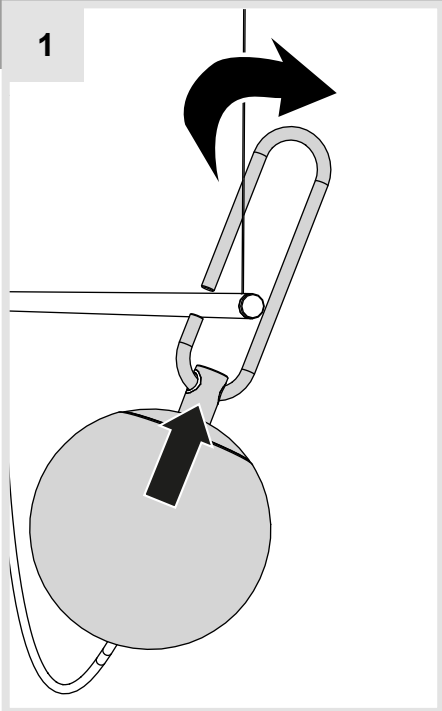


17

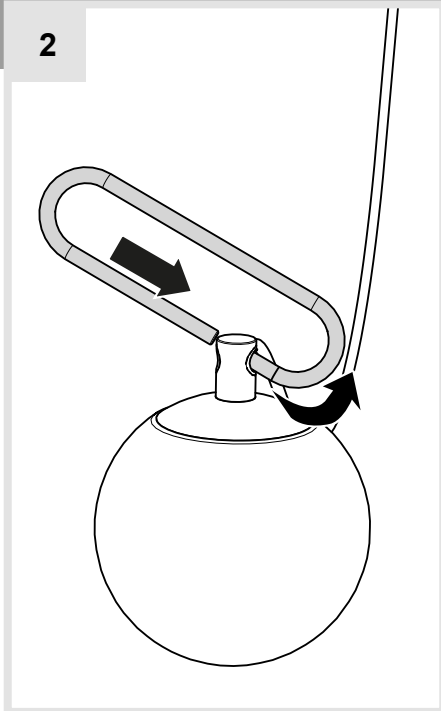


3x

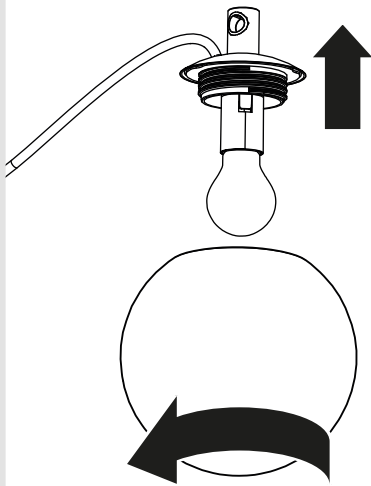
1



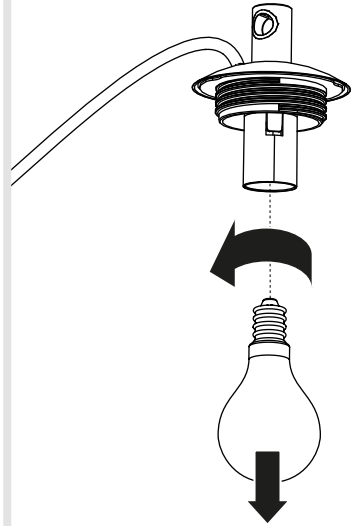
2



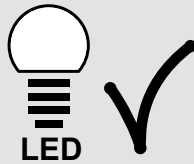
3



4



i



LED



HALO



HALO



FLUO



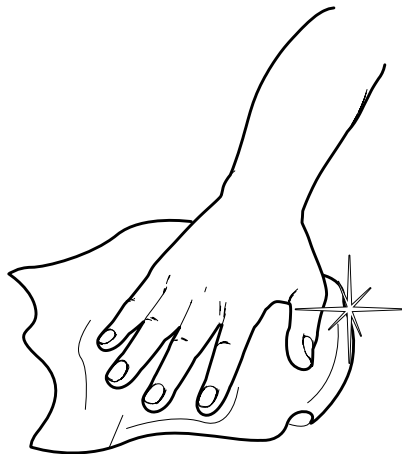
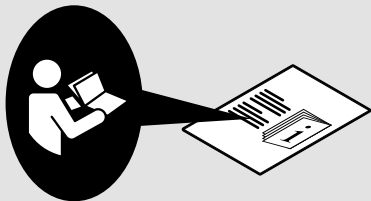
11

12

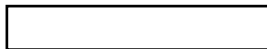
13

14

15



**Artemide®**



**Artemide**

via Bergamo, 18  
20006 Pregnana M.se (MI)  
ITALIA

tel. +39 02 935 181  
fax +39 02 935 90 254  
fax +39 02 935 90 496

[www.artemide.com](http://www.artemide.com)

VAT IT00846890150

cod. Y513000953A