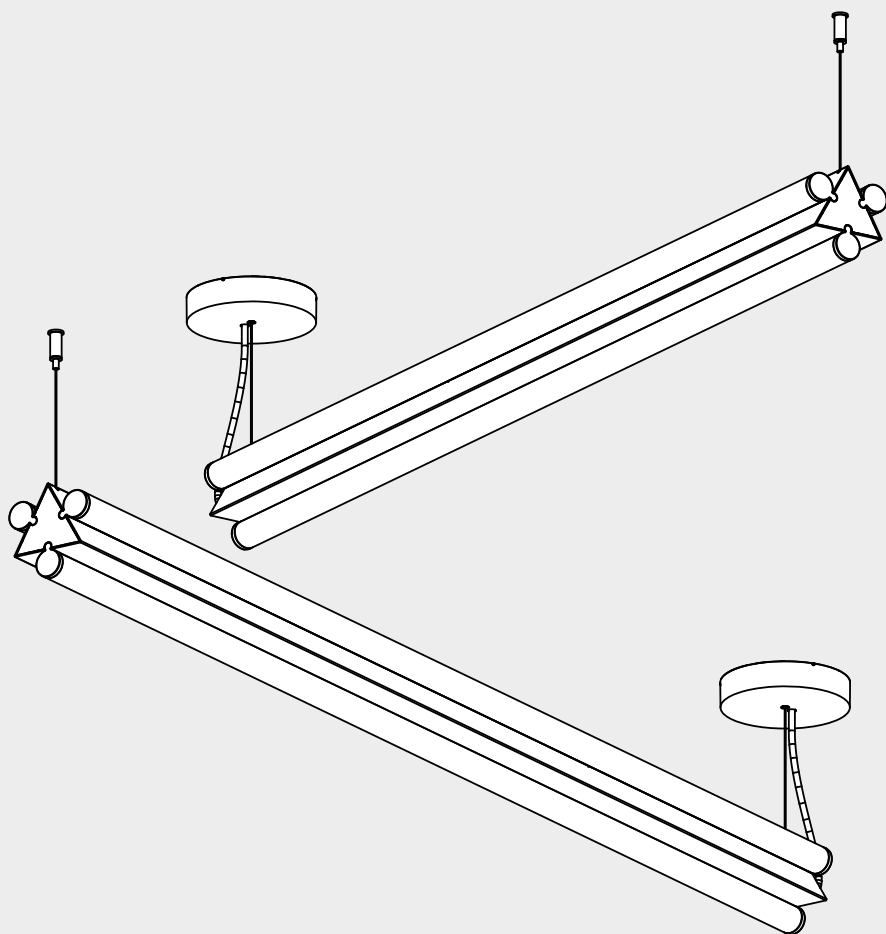


# Artemide®

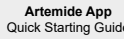
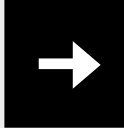
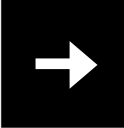
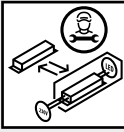
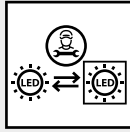
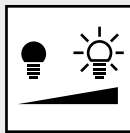
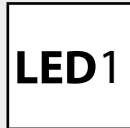
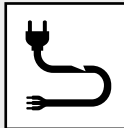
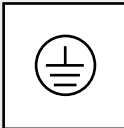
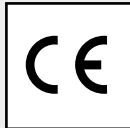
## DREISPITZ HORIZONTAL

design  
Herzog & de Meuron

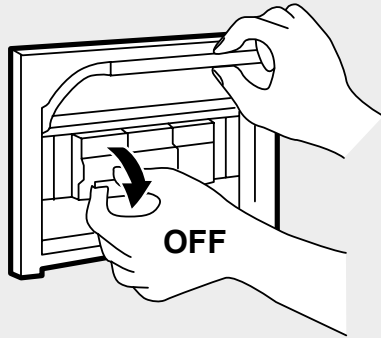
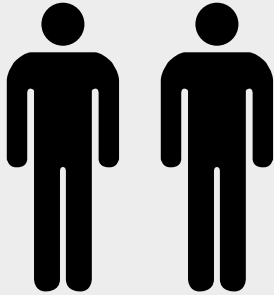




i



Quick Starting Guide



**i**

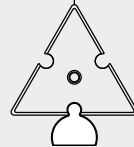
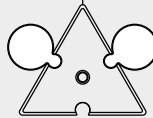
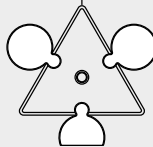
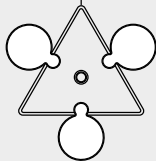
**INDIRECT  
EMISSION**

diffusing

diffusing

diffusing

X



**DIRECT  
EMISSION**

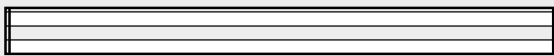
diffusing

sharping

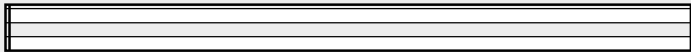
X

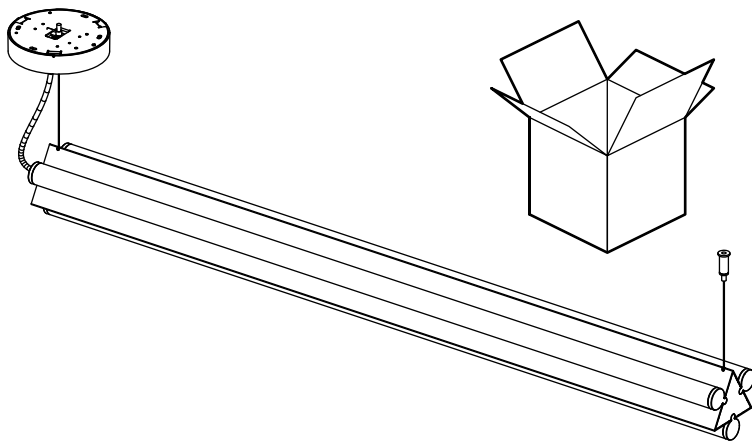
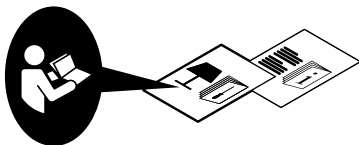
sharping

L = 120cm

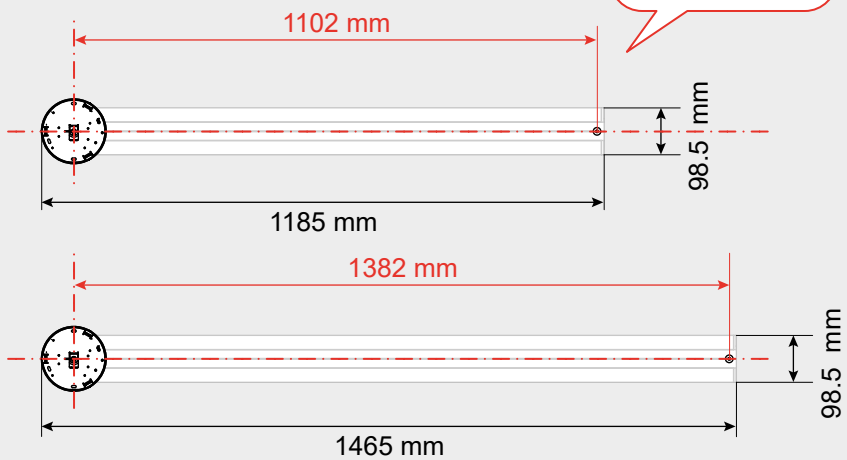
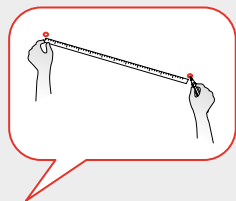


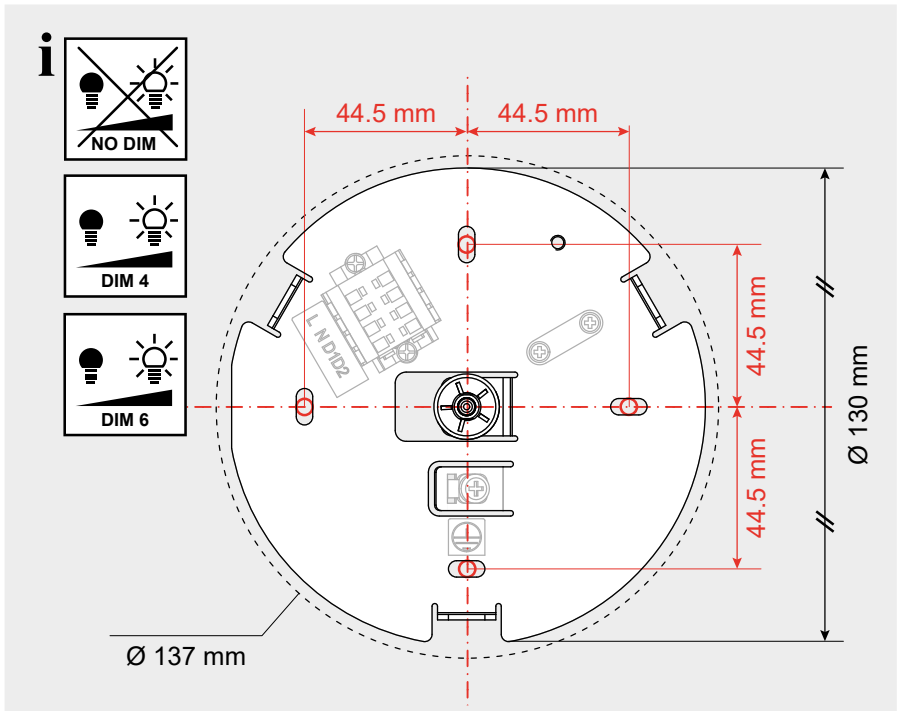
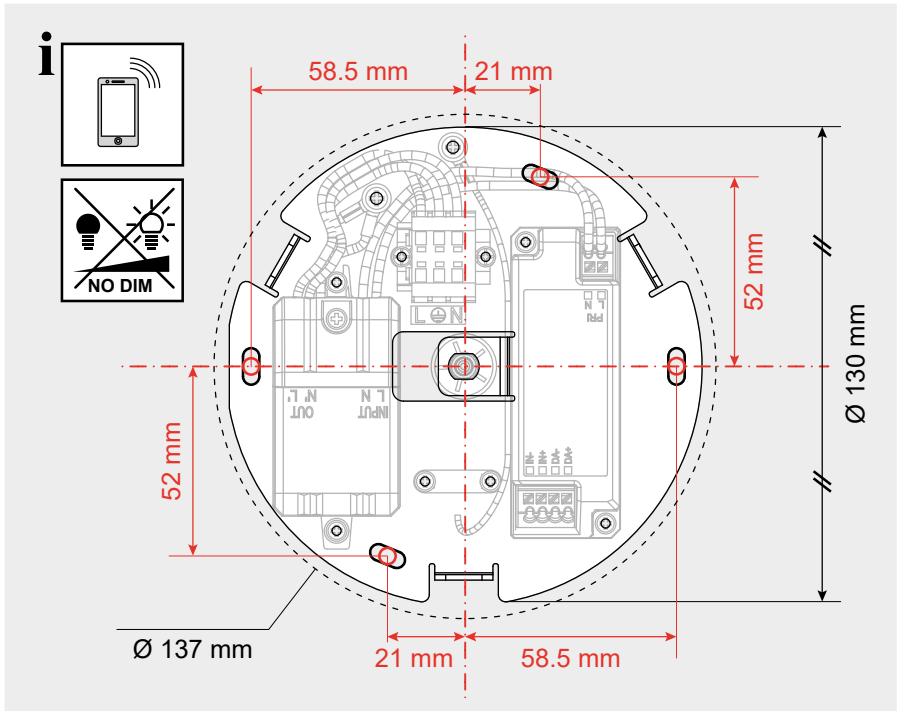
L = 150cm



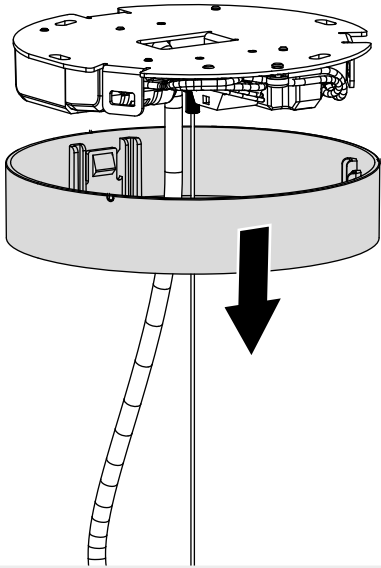


**i**

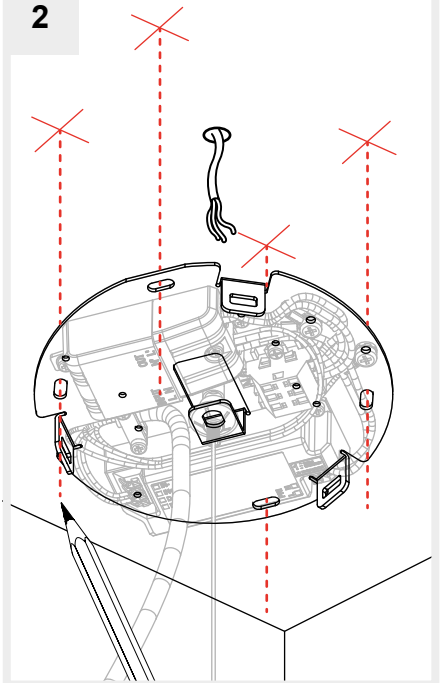




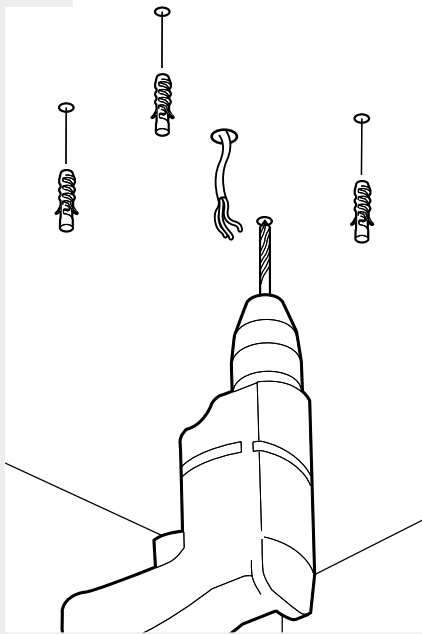
1



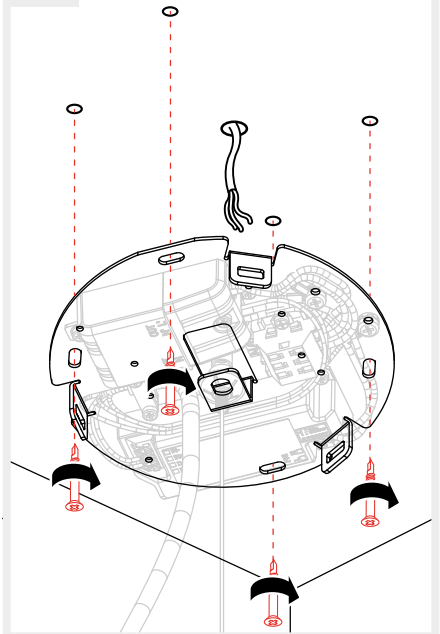
2

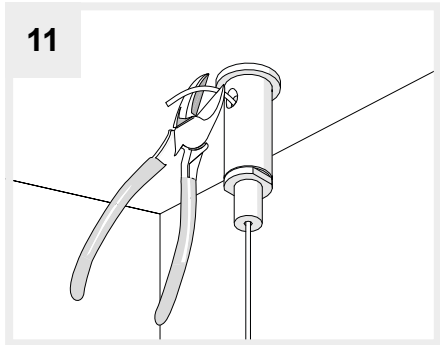
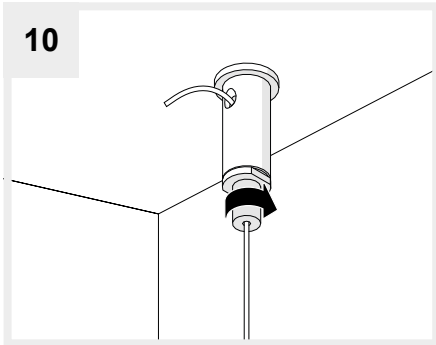
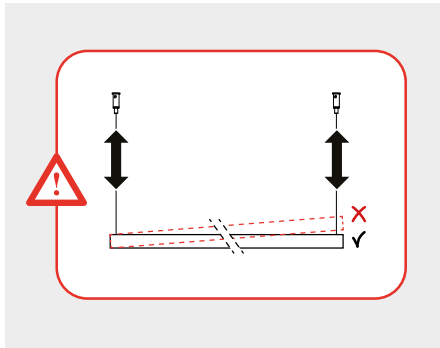
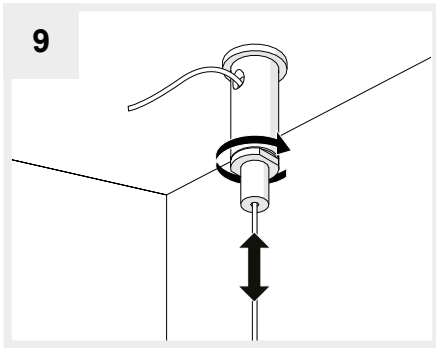
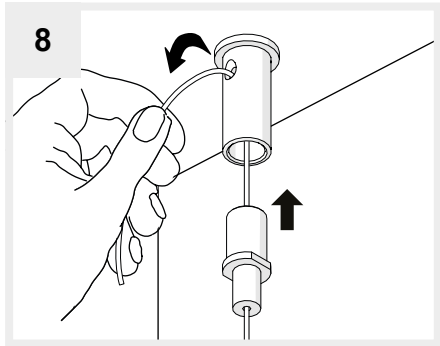
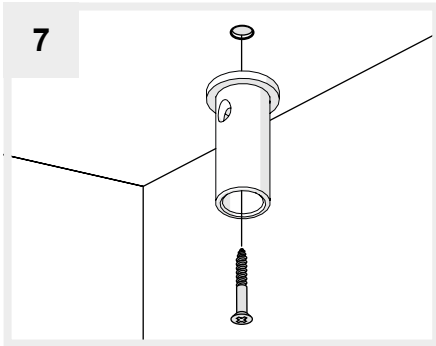
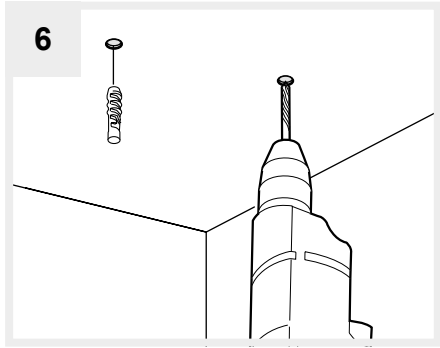
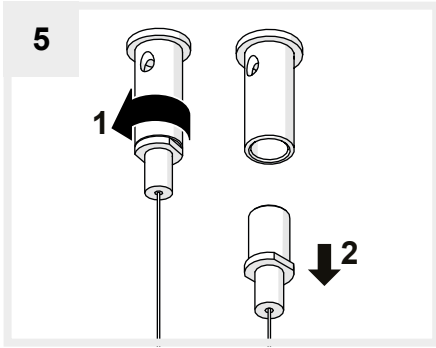


3

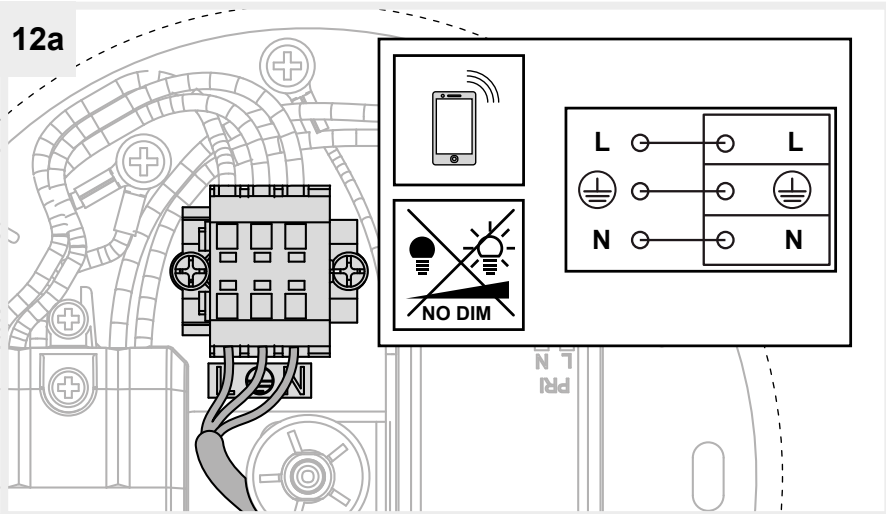


4

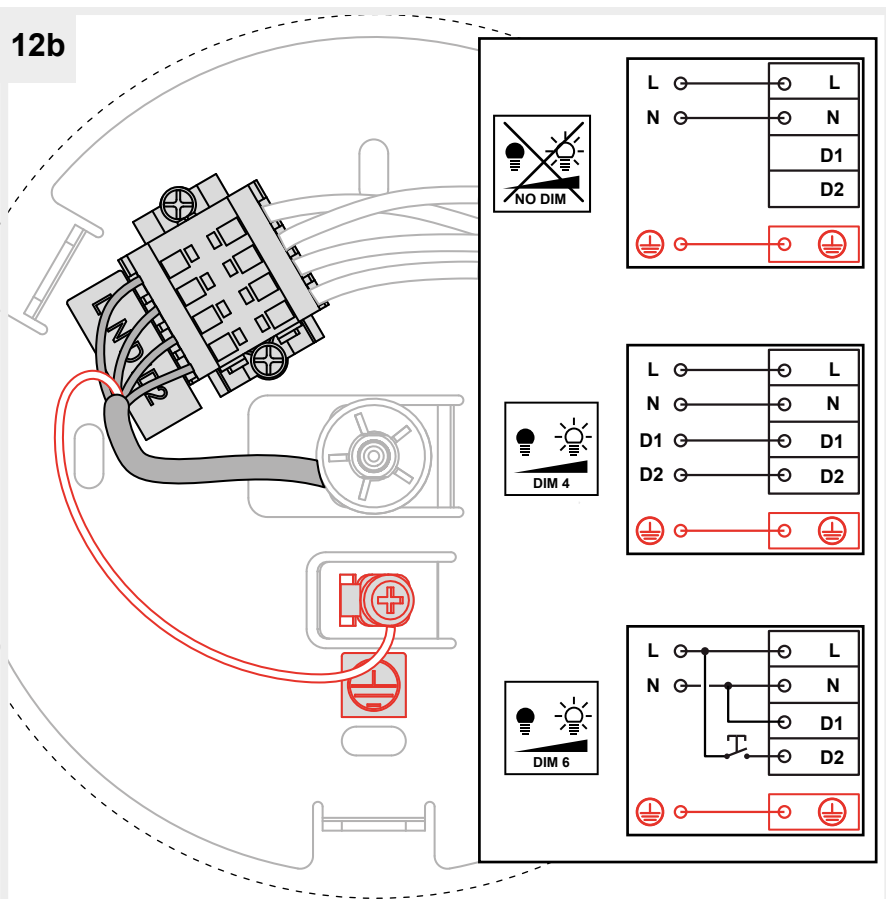




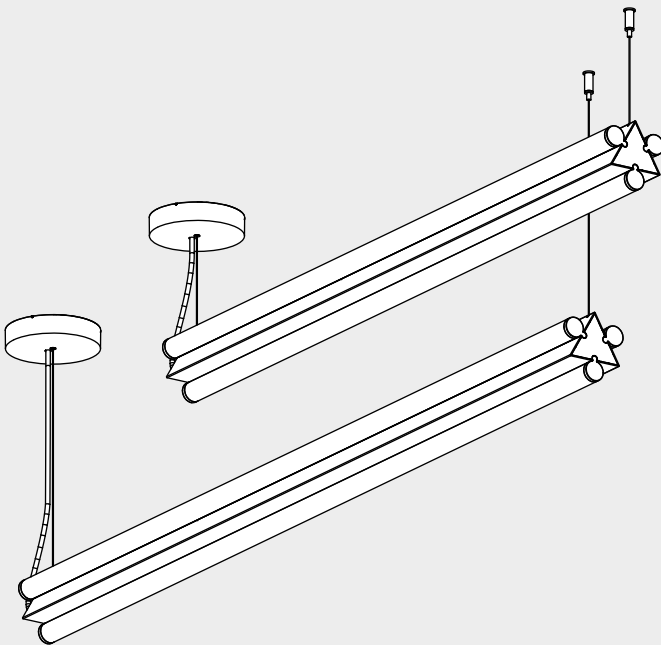
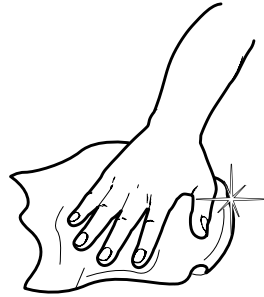
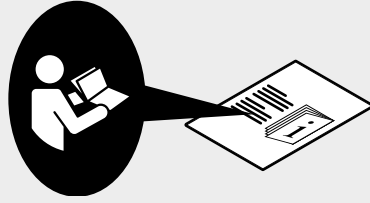
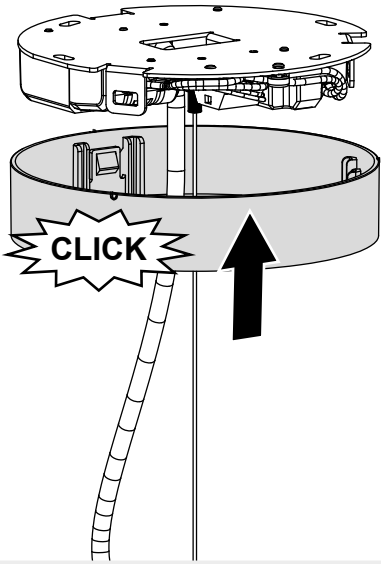
12a



12b



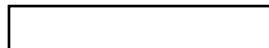








**Artemide®**



**Artemide**

via Bergamo, 18  
20006 Pregnana M.se (MI)  
ITALIA

tel. +39 02 935 181  
fax +39 02 935 90 254  
fax +39 02 935 90 496

[www.artemide.com](http://www.artemide.com)

VAT IT00846890150

cod. Y513001990