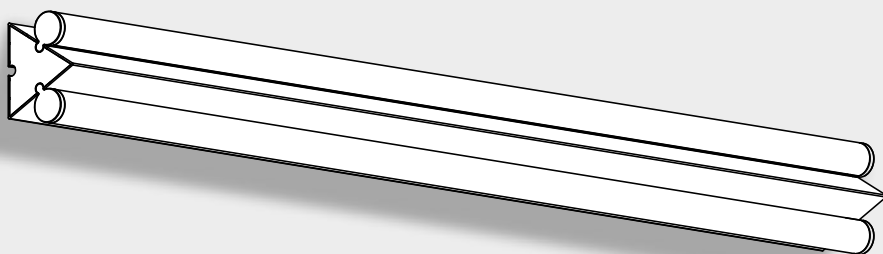
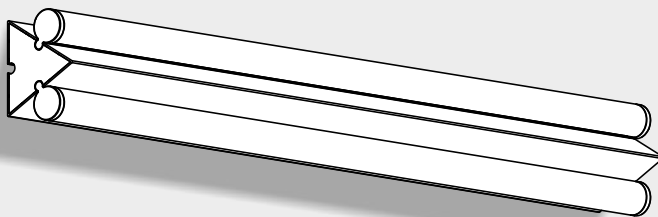


Artemide®

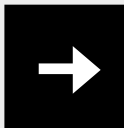
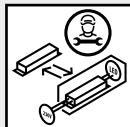
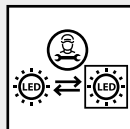
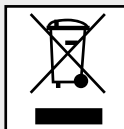
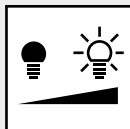
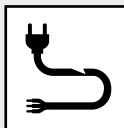
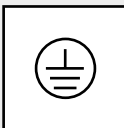
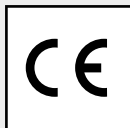
DREISPITZ WALL/CEILING

design
Nome Cognome Designer

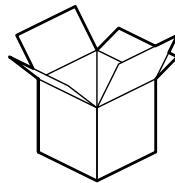
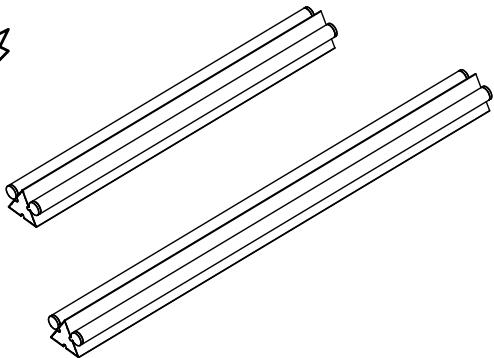
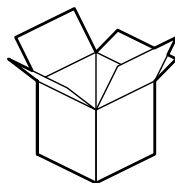
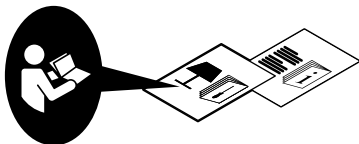


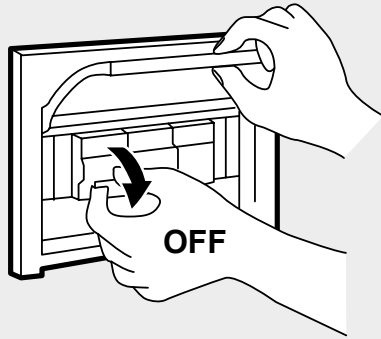
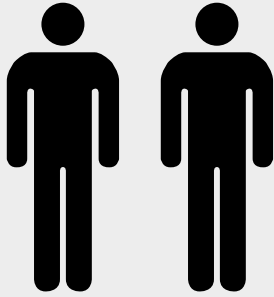


i

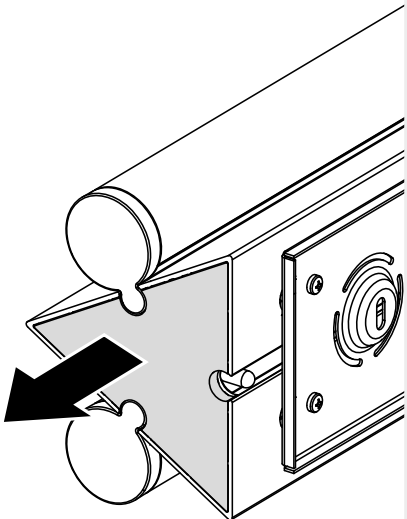


Artemide App
Quick Starting Guide

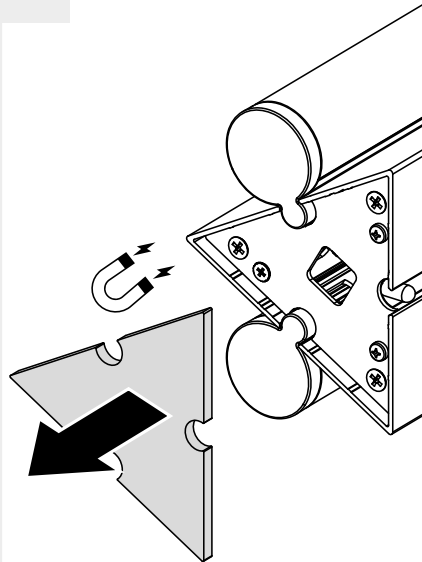


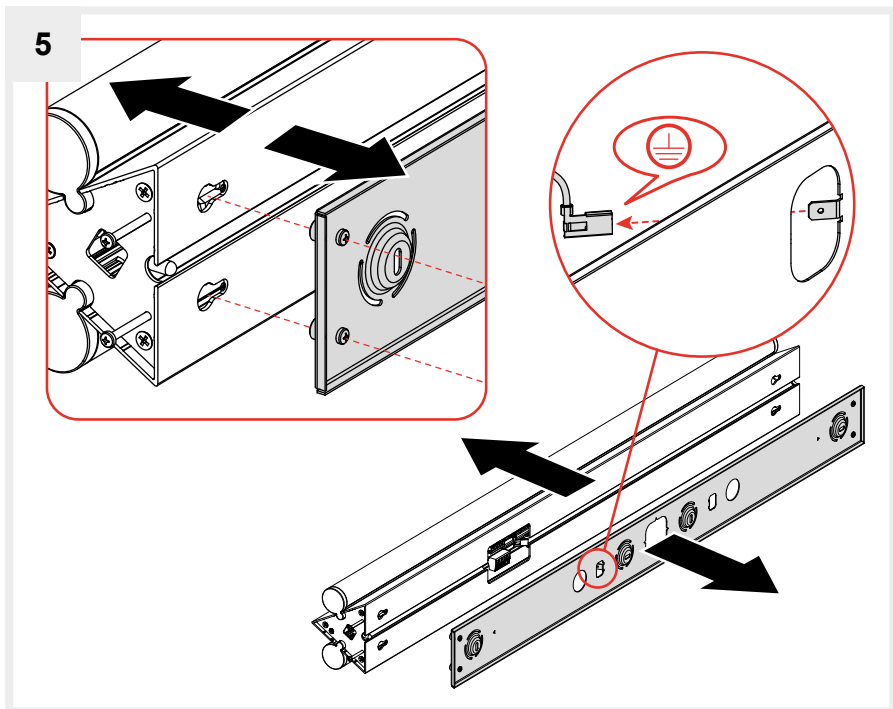
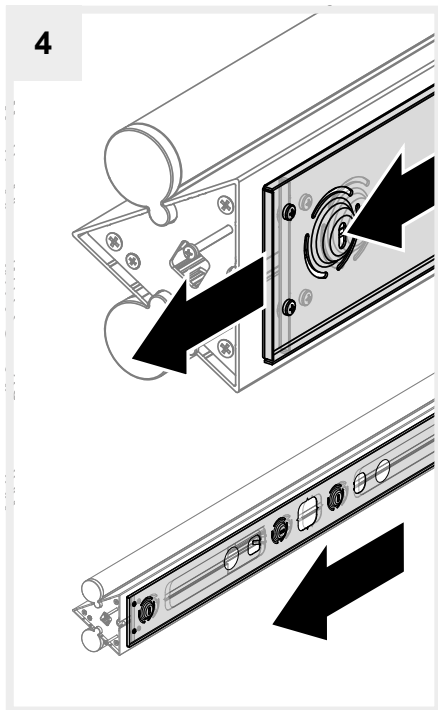
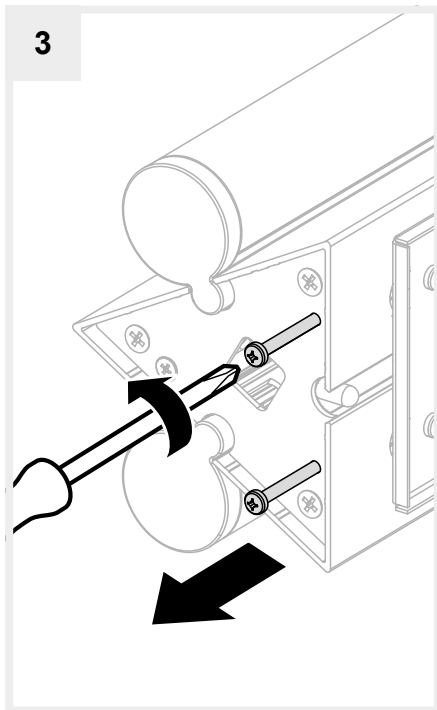


1

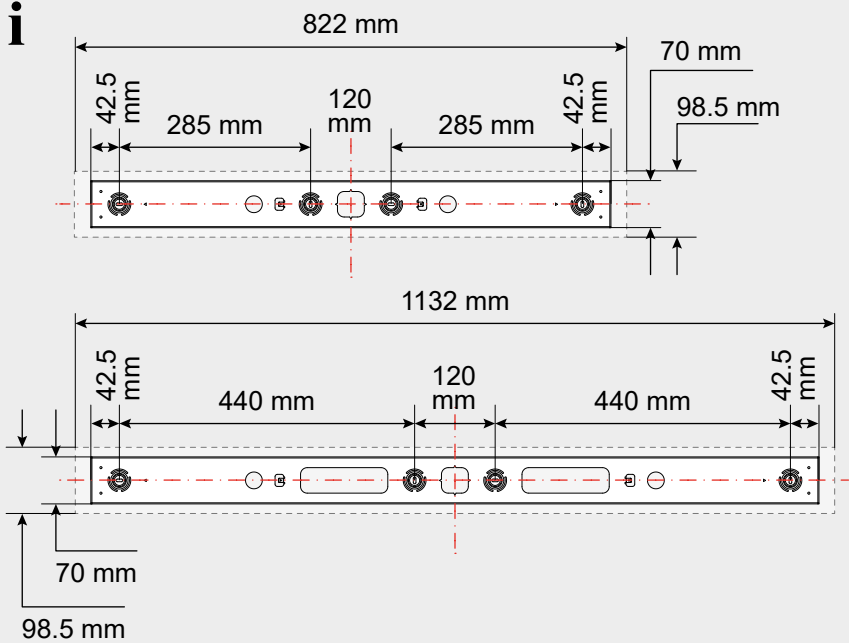


2

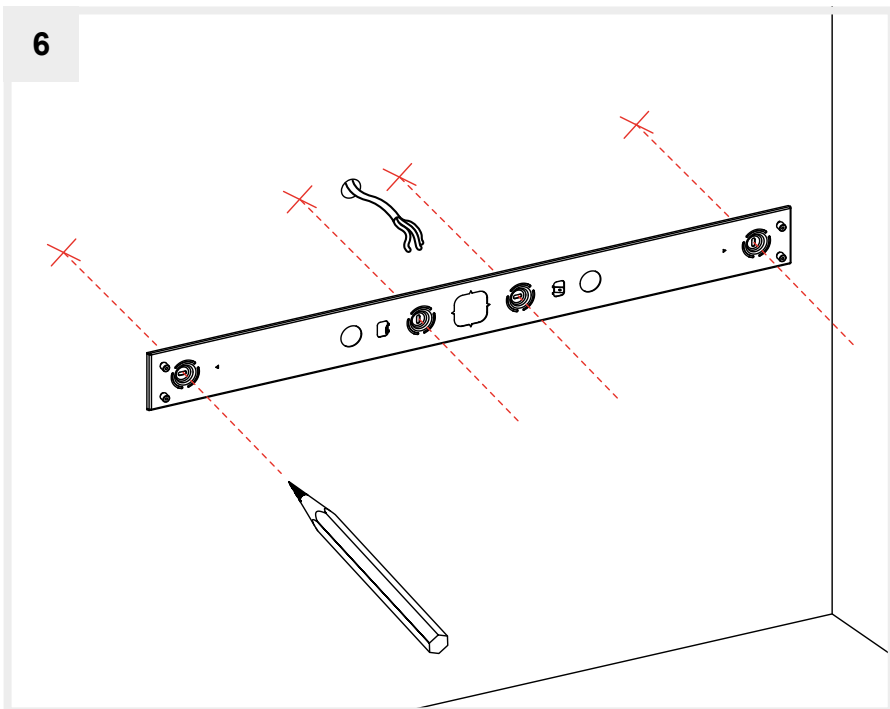




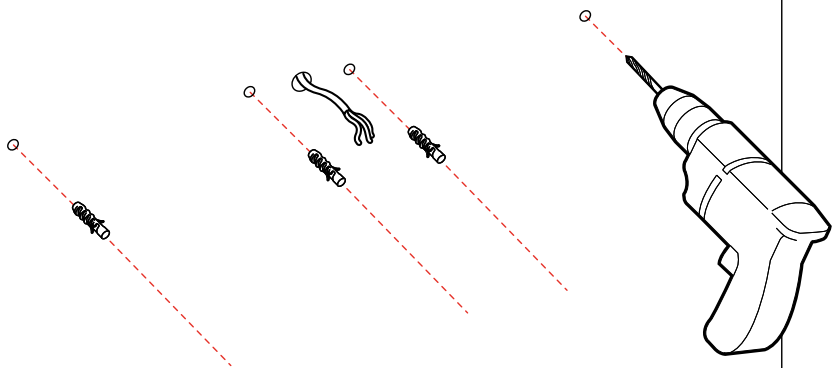
i



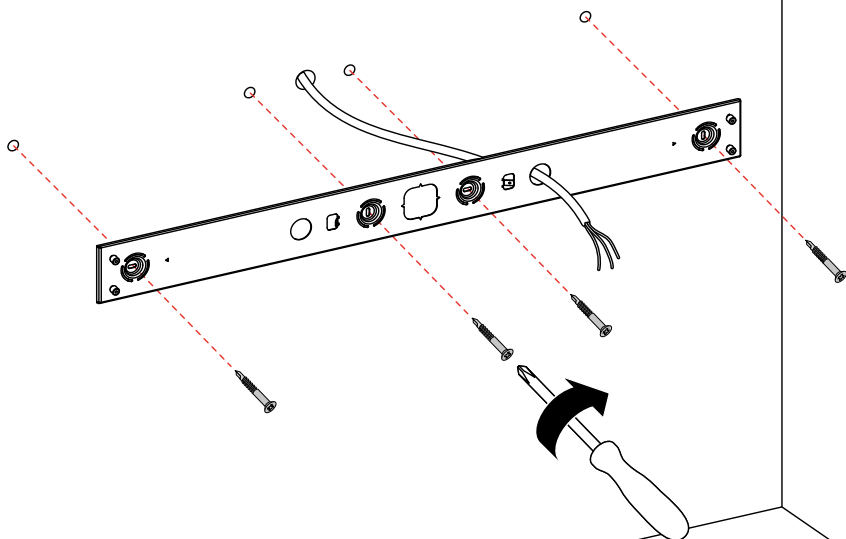
6

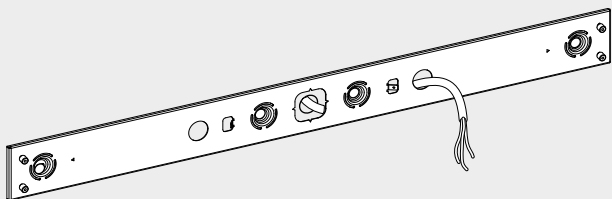


7

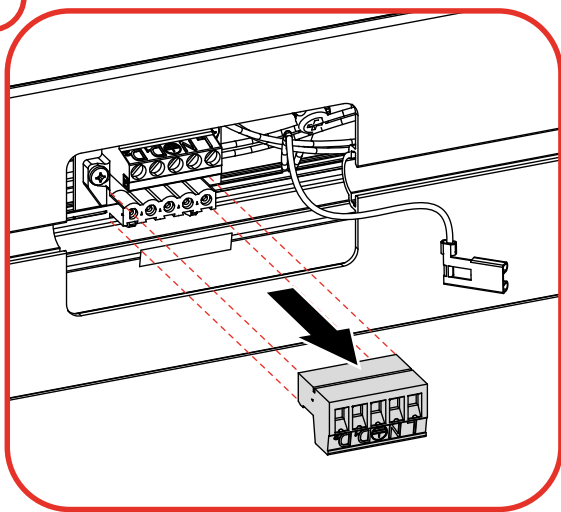
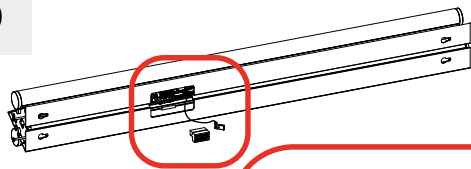


8



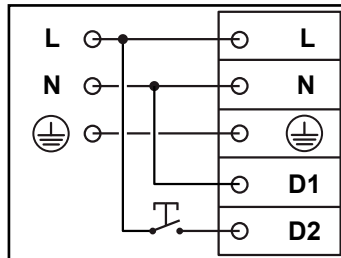
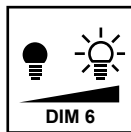
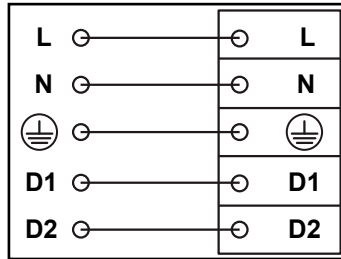
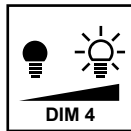
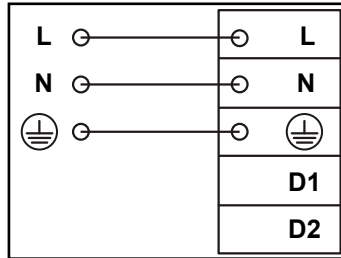
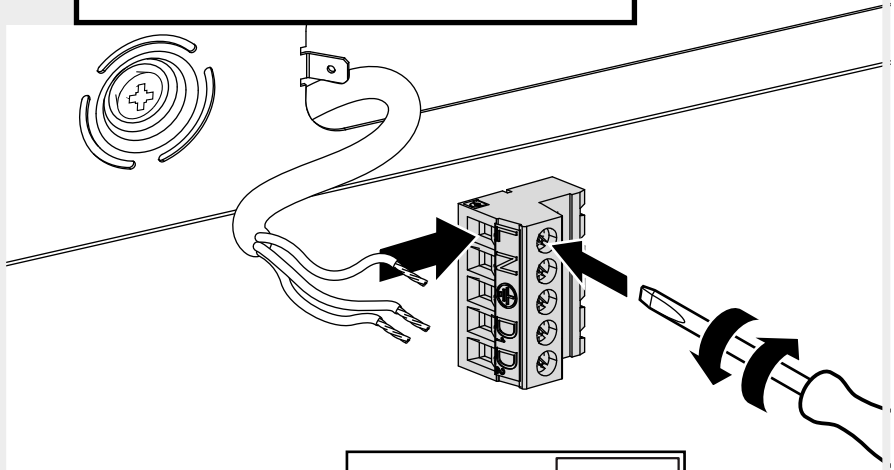


9



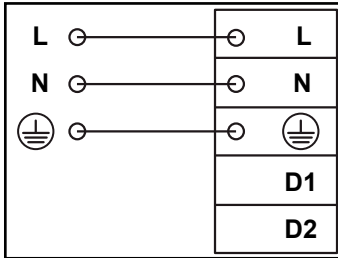
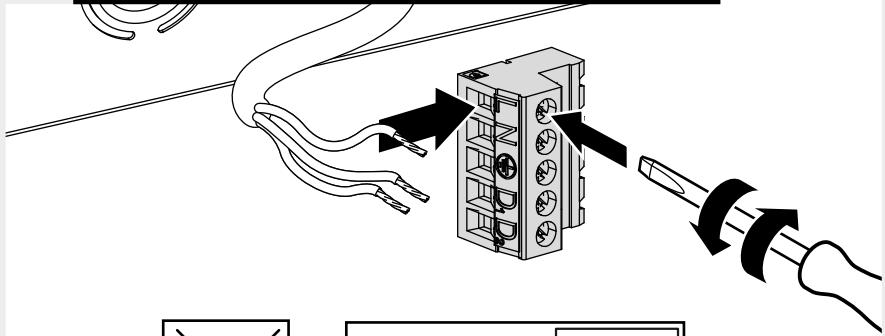
10a

ONLY FOR 18610XXA / 18620XXA

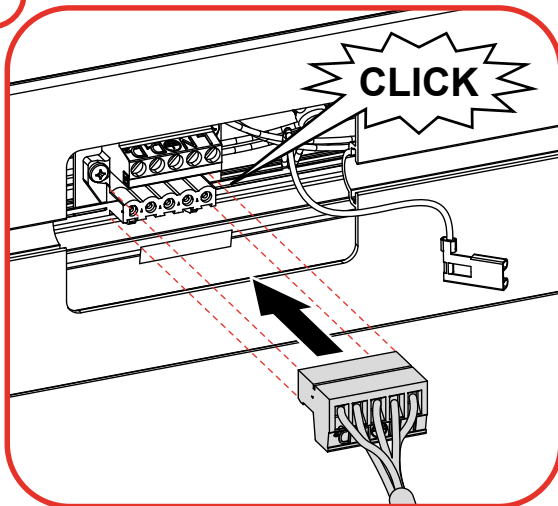
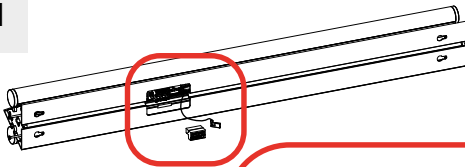


10b

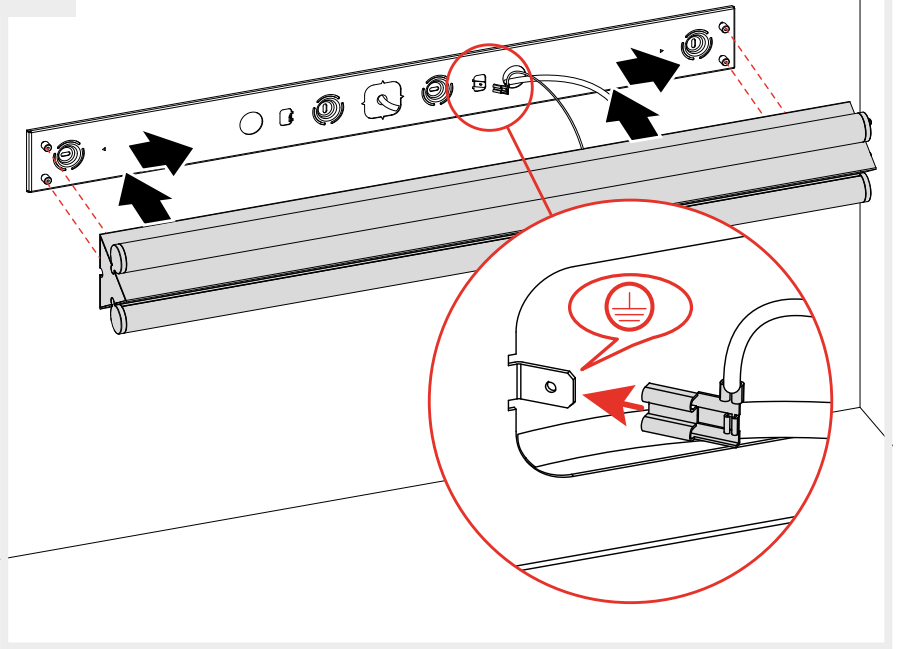
ONLY FOR 18610XXAPP / 18620XXAPP



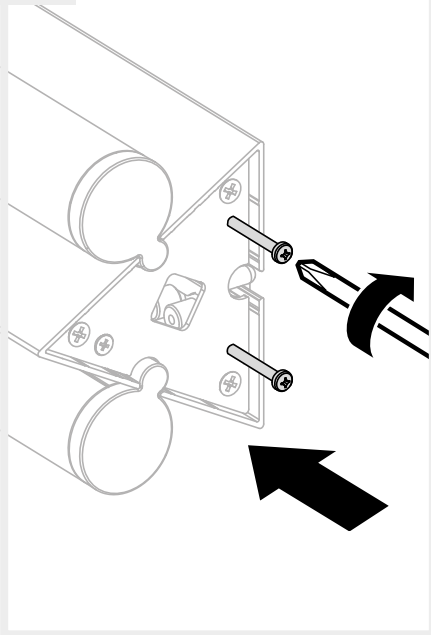
11



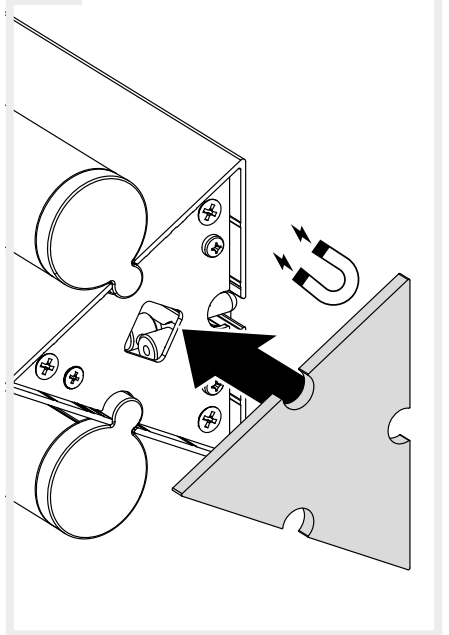
11

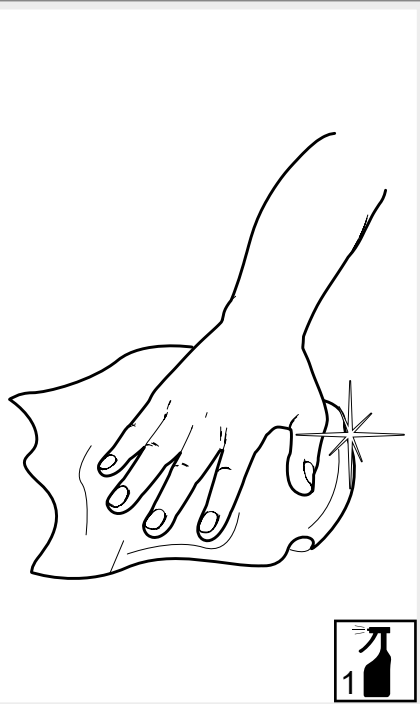
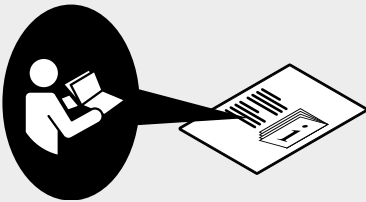
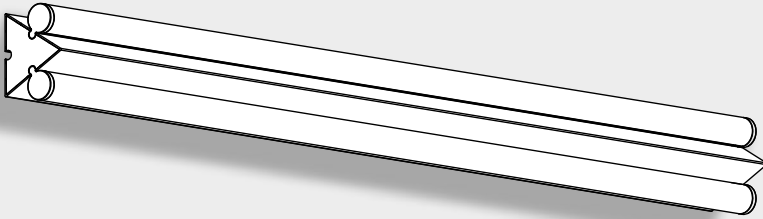
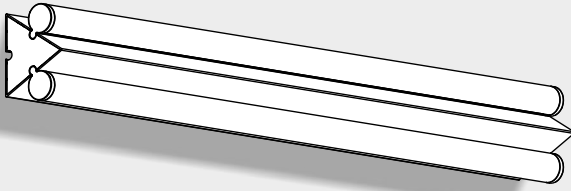


12

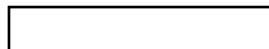


13





Artemide®



Artemide

via Bergamo, 18
20006 Pregnana M.se (MI)
ITALIA

tel. +39 02 935 181
fax +39 02 935 90 254
fax +39 02 935 90 496

www.artemide.com

VAT IT00846890150

cod. Y513002015