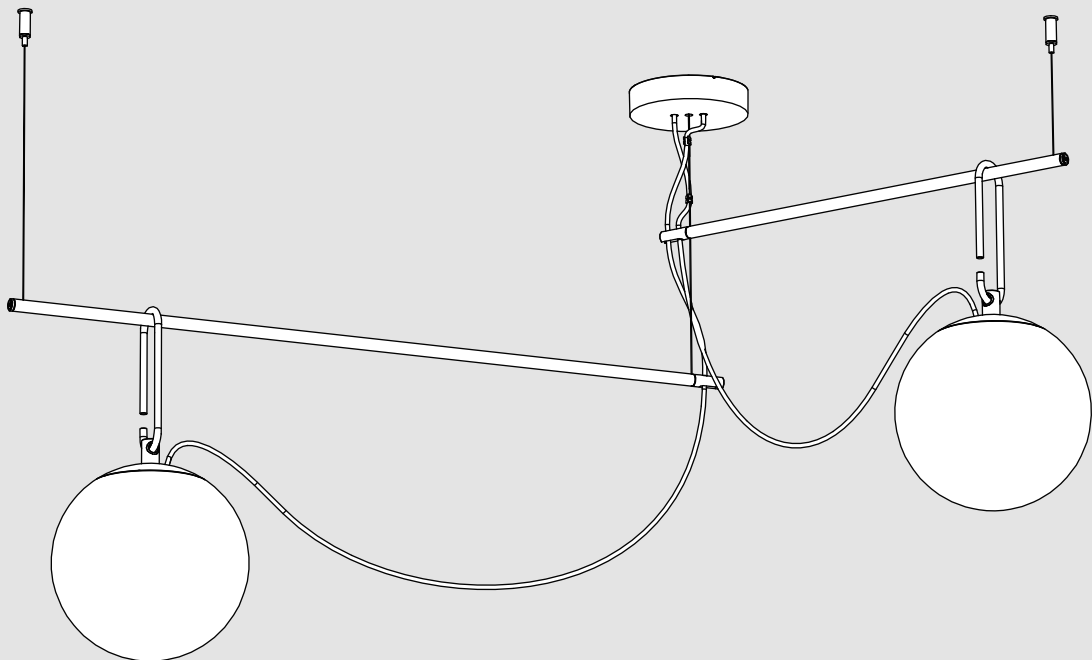


# Artemide®

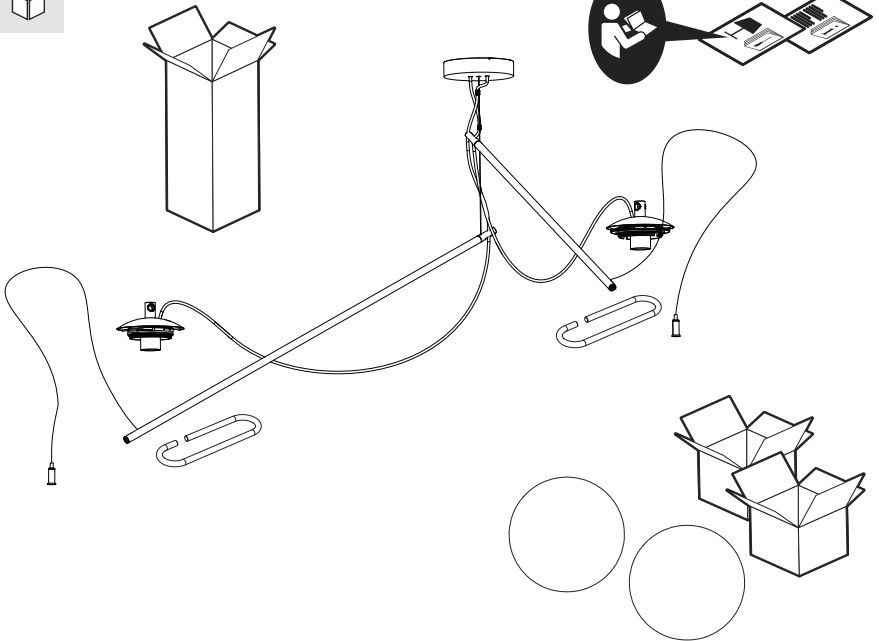
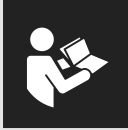
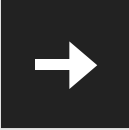
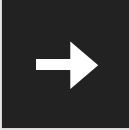
## nh

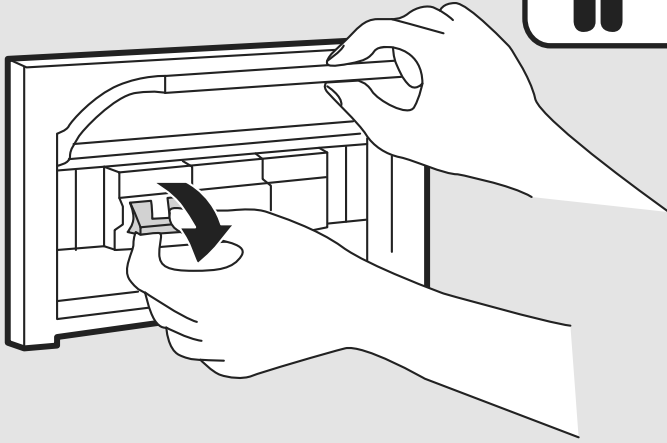
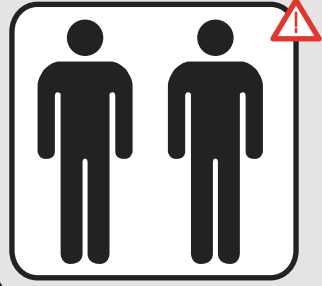
design  
Neri & Hu



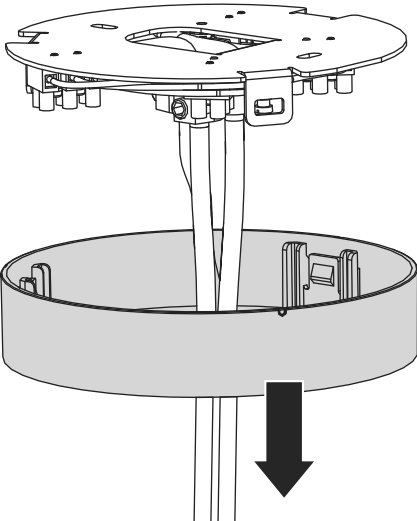


i

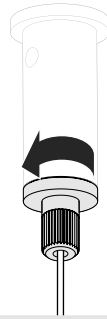




1



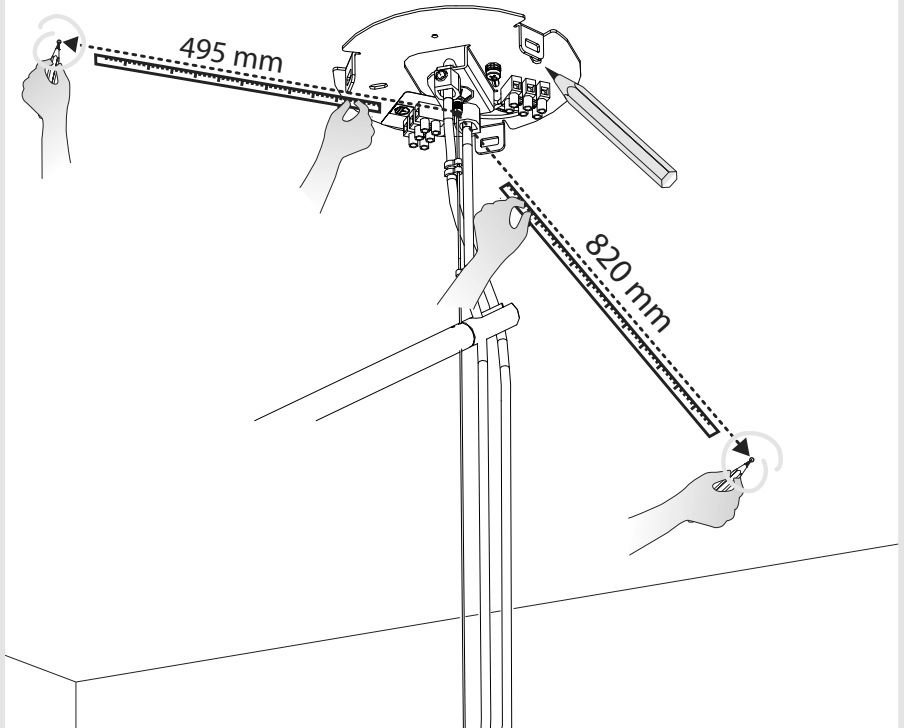
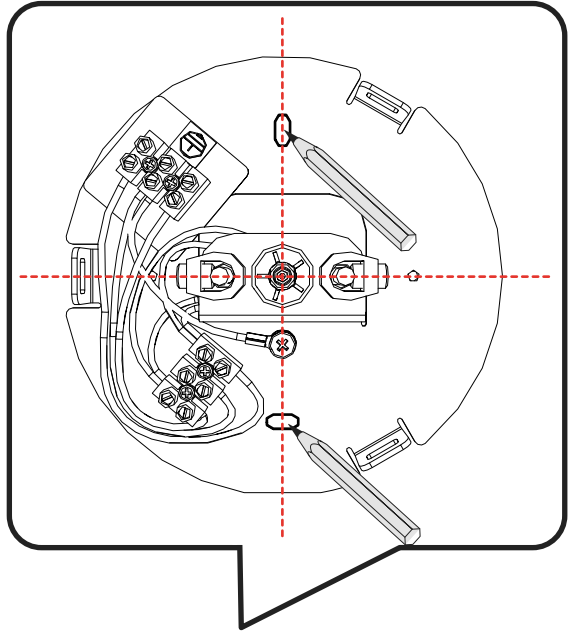
2



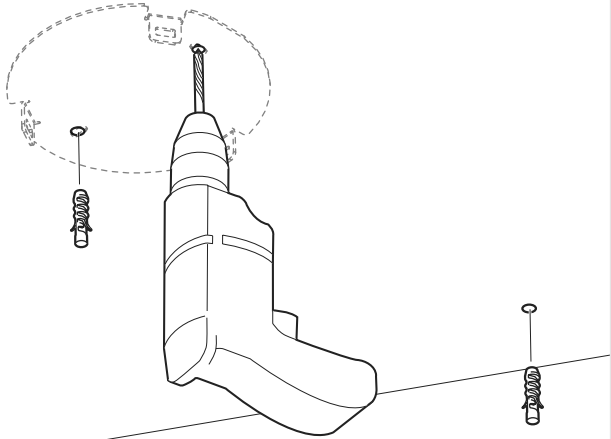
3



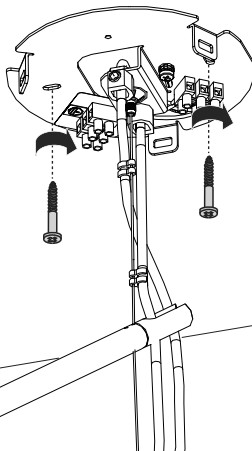
4



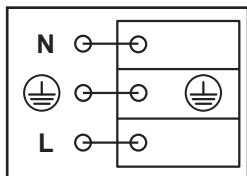
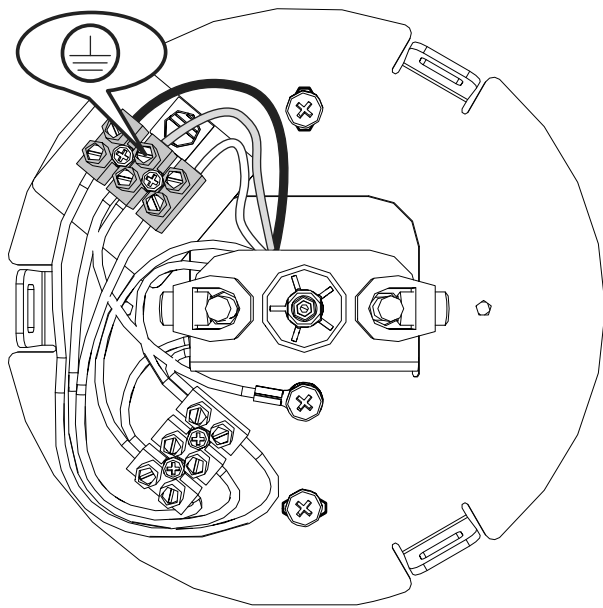
5



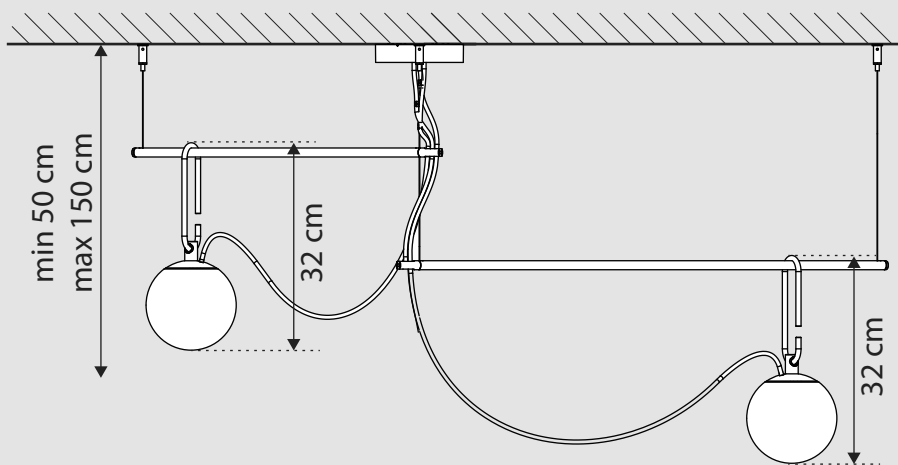
6

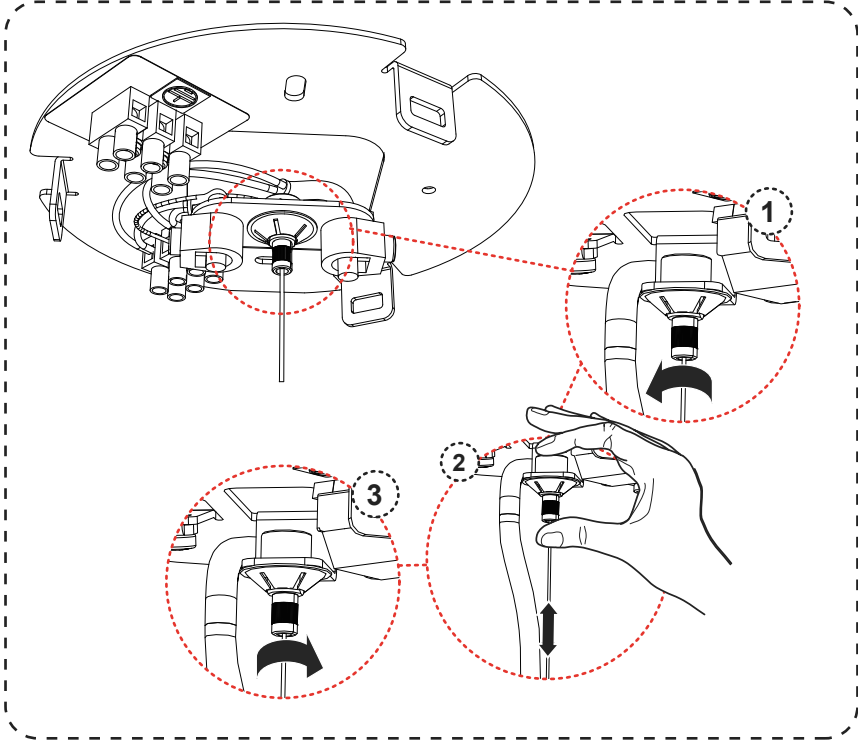
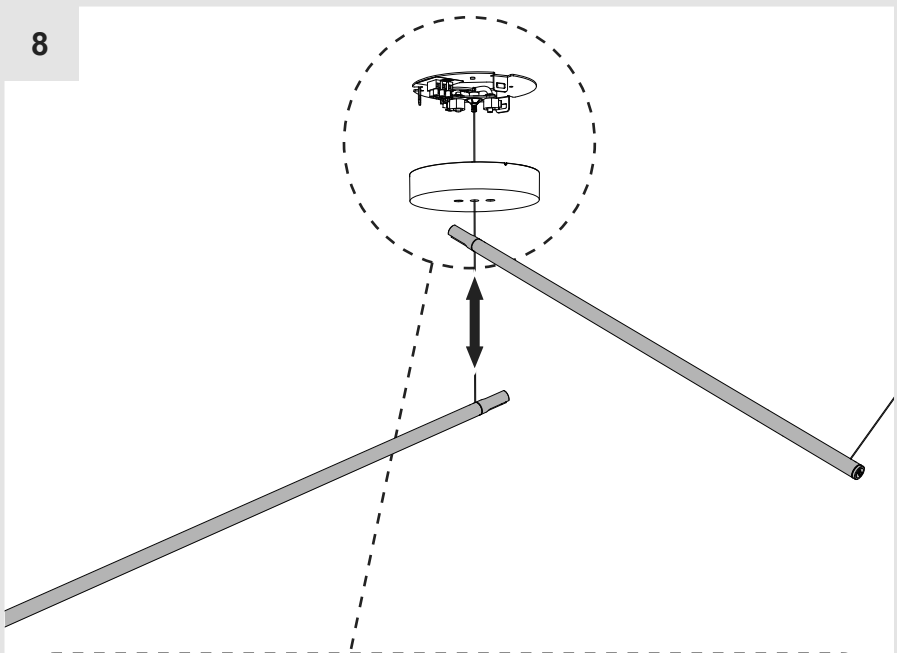


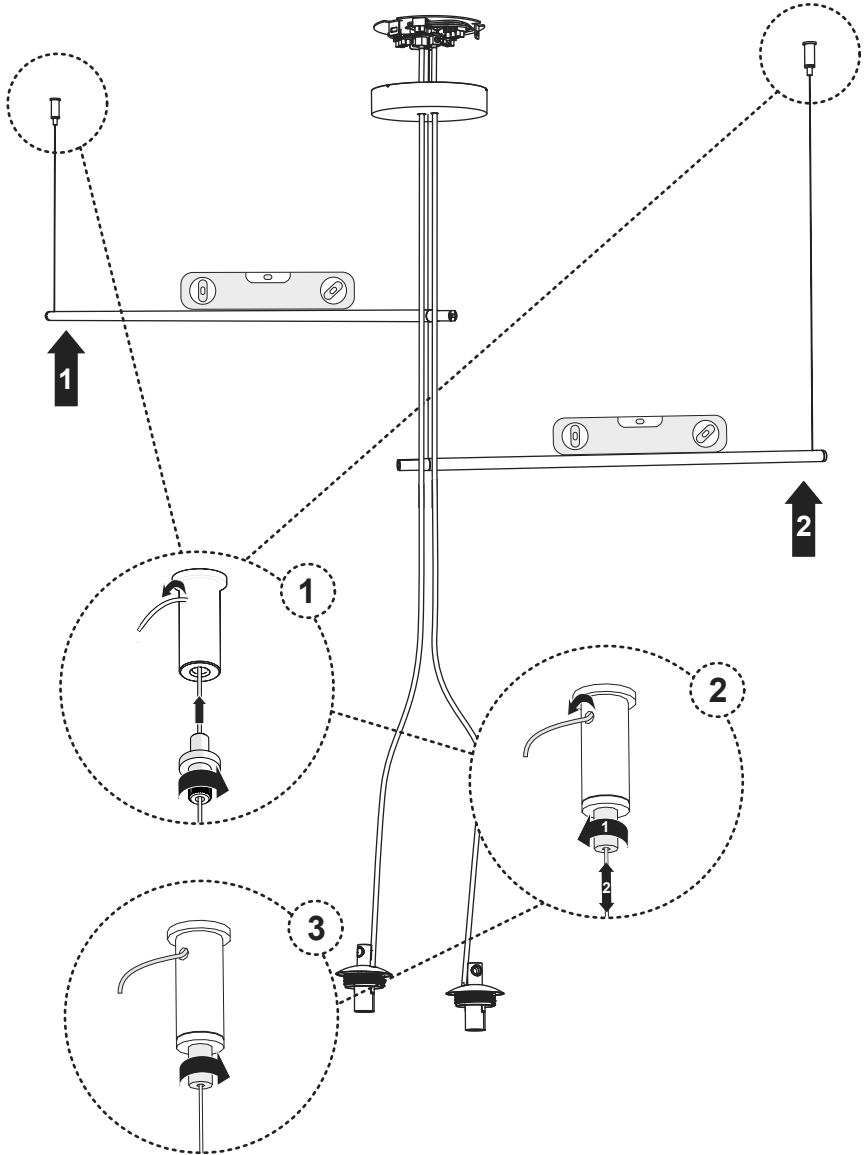
7



**i**

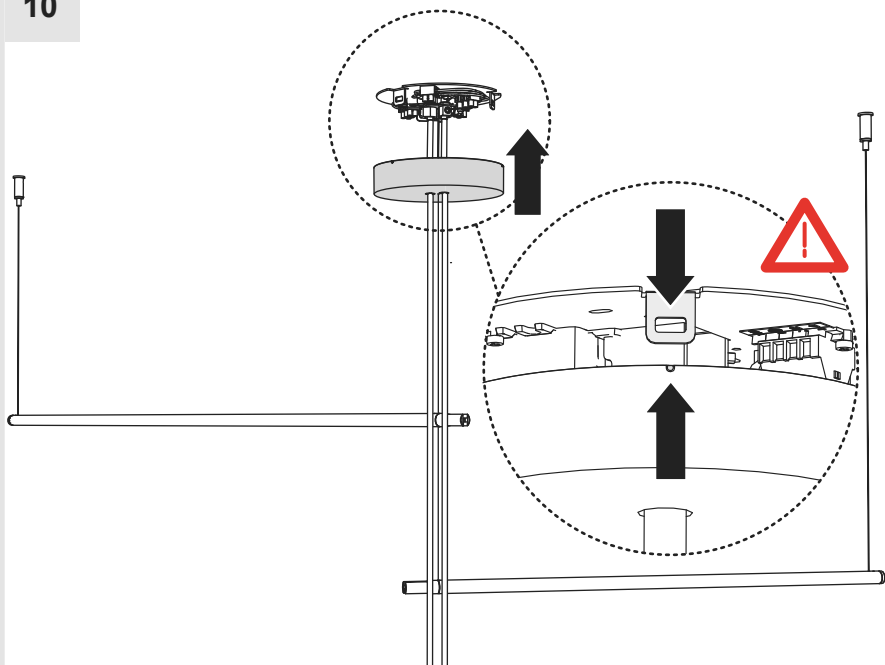




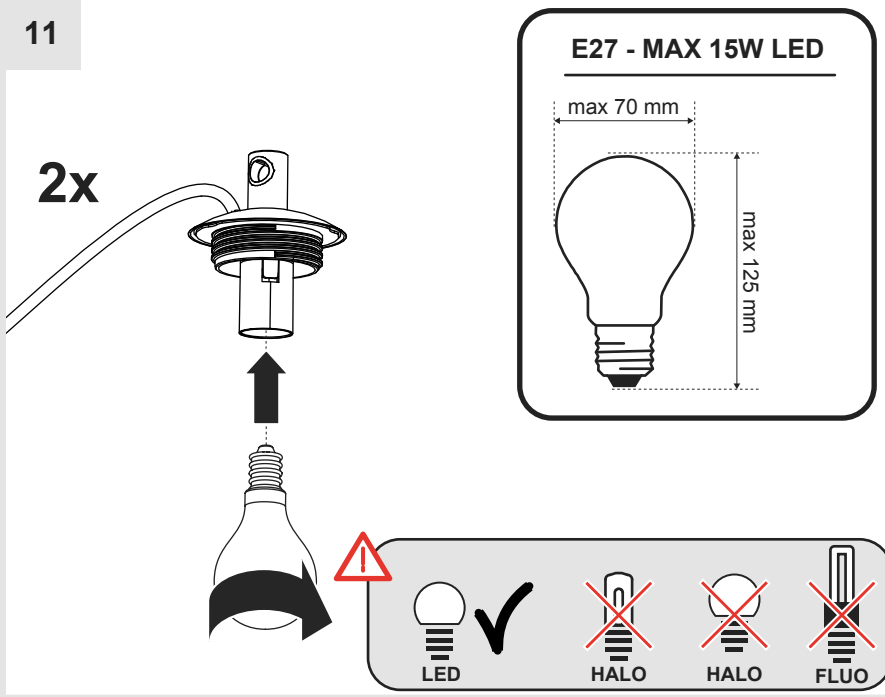




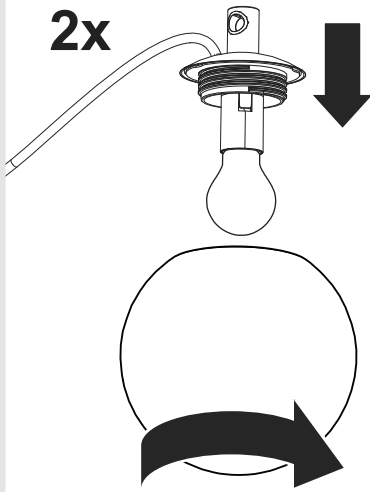
10



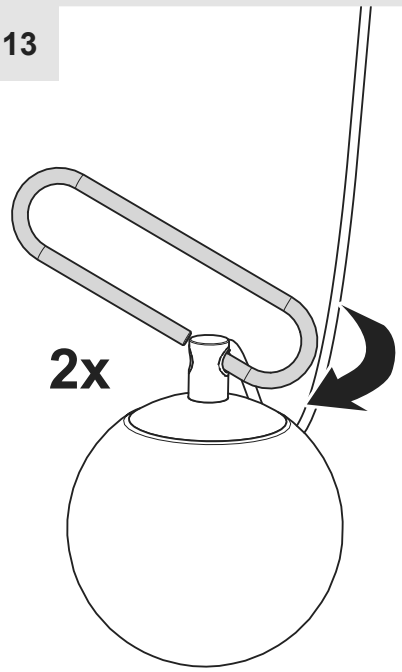
11



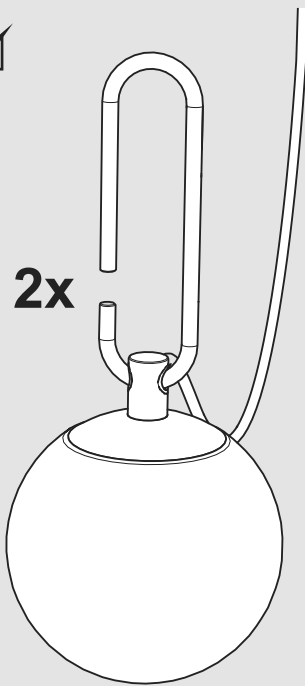
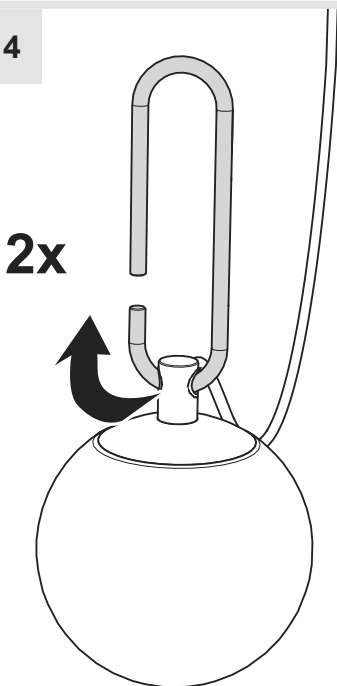
12



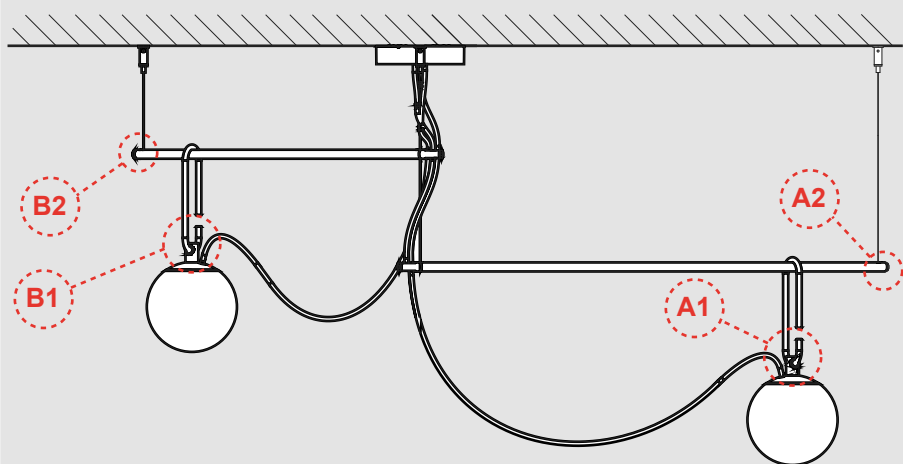
13



14

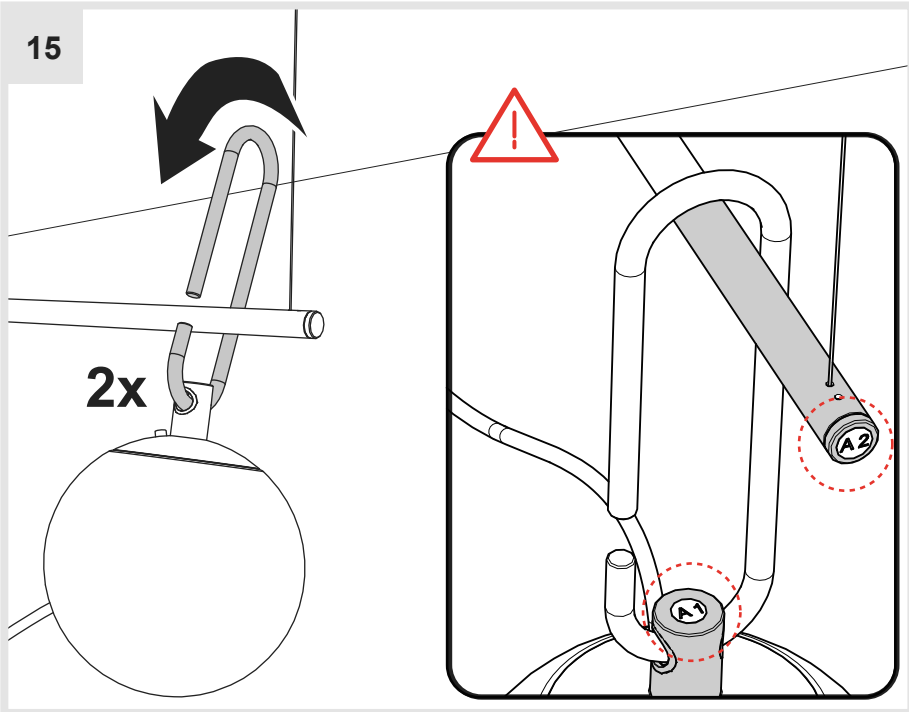


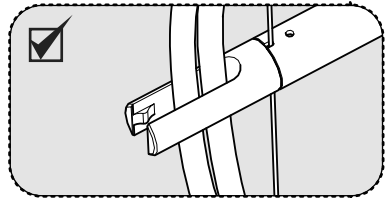
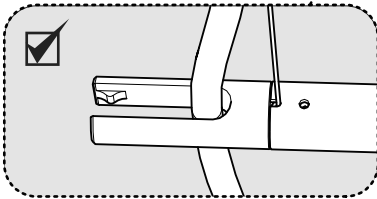
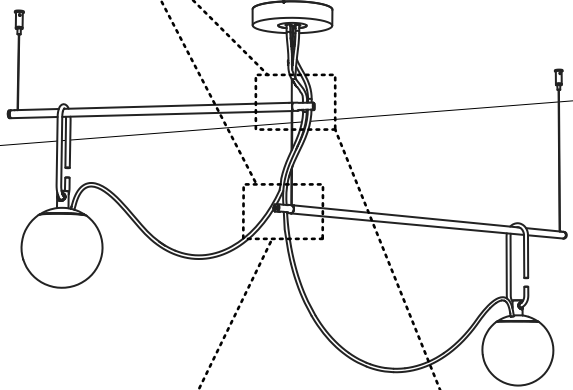
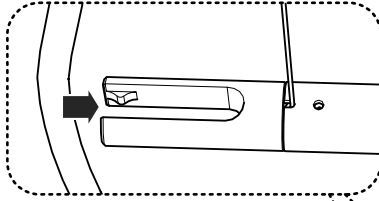
**i**



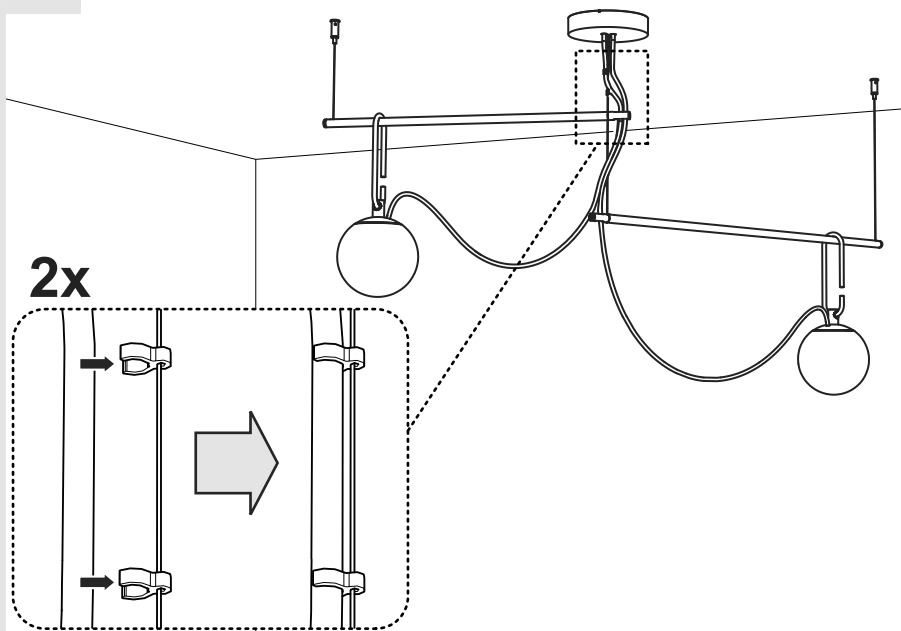
**A1** ↔ **A2**  
**B1** ↔ **B2**

**15**

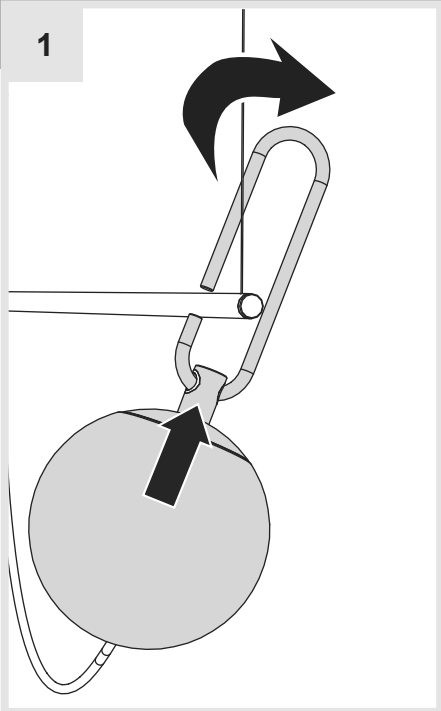




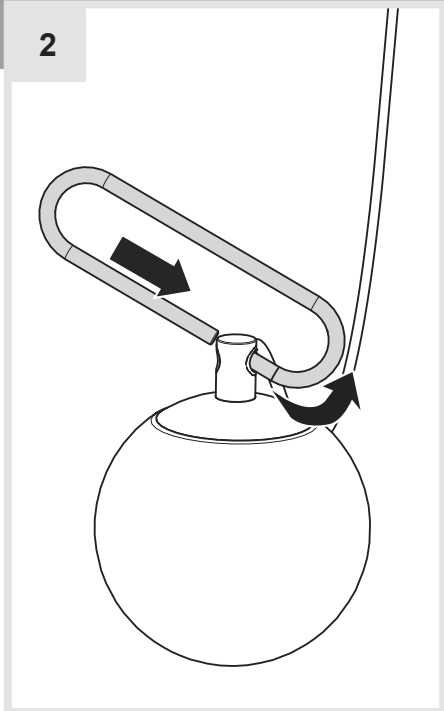
17



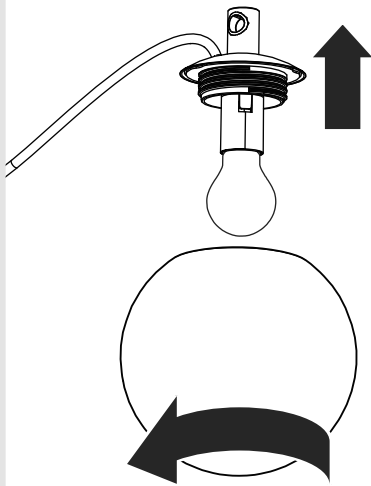
1



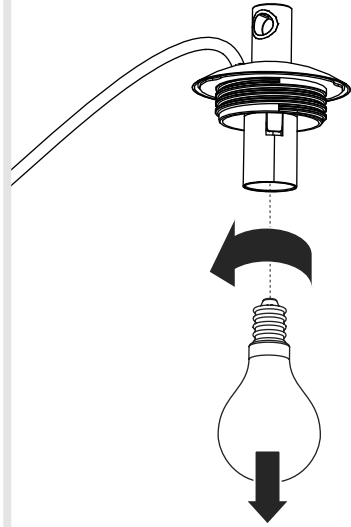
2



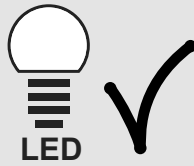
3



4



i



LED



HALO



HALO



FLUO



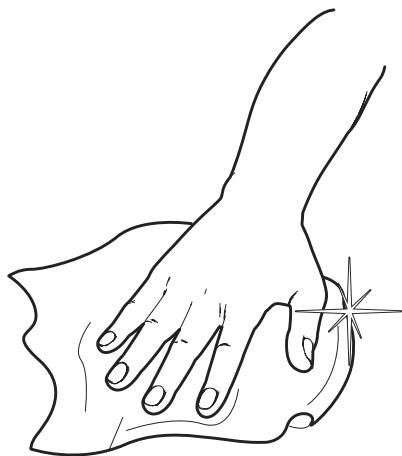
11

12

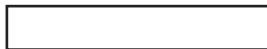
13

14

15



**Artemide®**



**Artemide**

via Bergamo, 18  
20010 Pregnana M.se (MI)  
ITALIA

tel. +39 02 935 181  
fax +39 02 935 90 254  
fax +39 02 935 90 496

[www.artemide.com](http://www.artemide.com)

VAT IT00846890150

cod. Y513001175