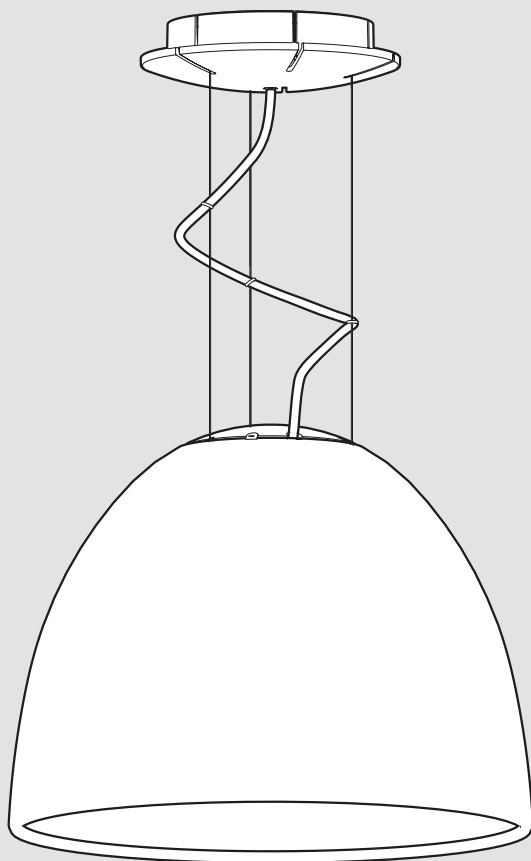


Artemide®

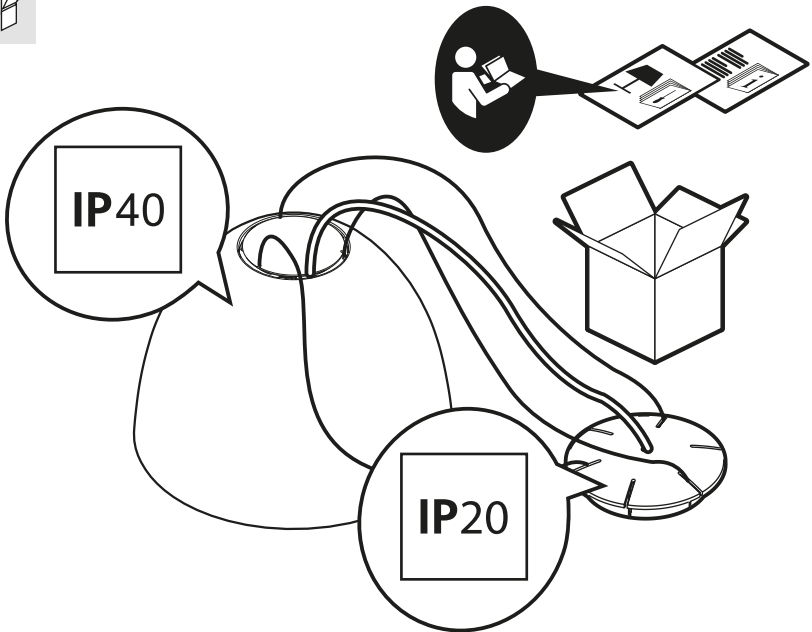
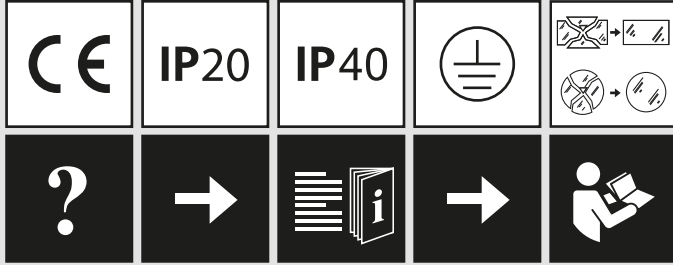
Nur mini

design
Ernesto Gismondi

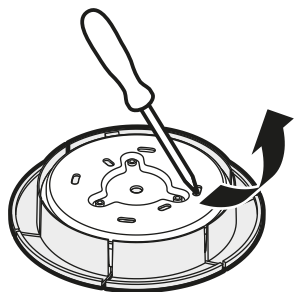




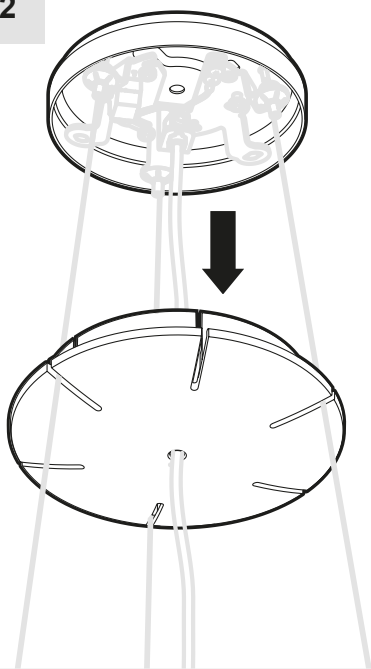
i



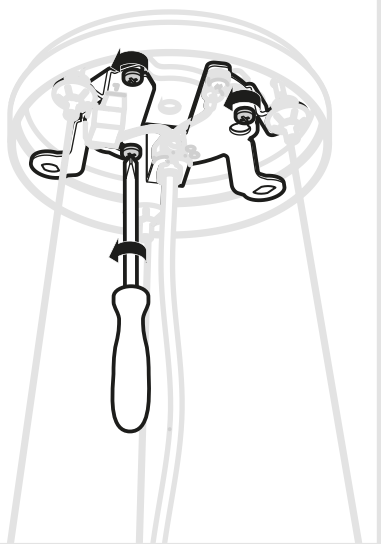
1



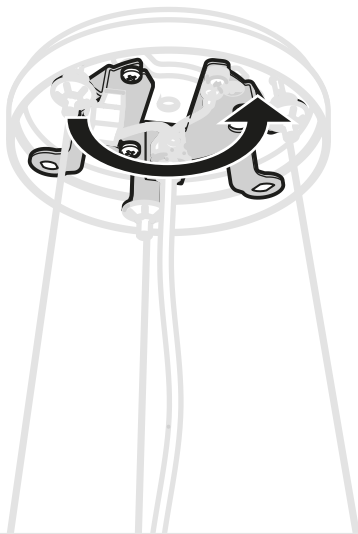
2



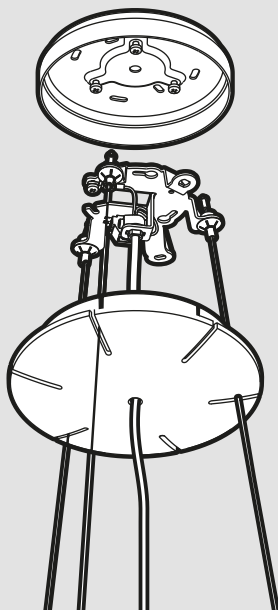
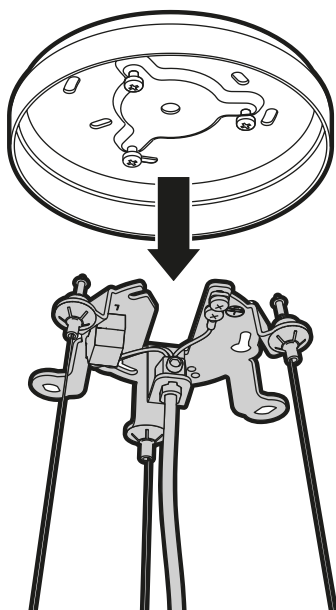
3

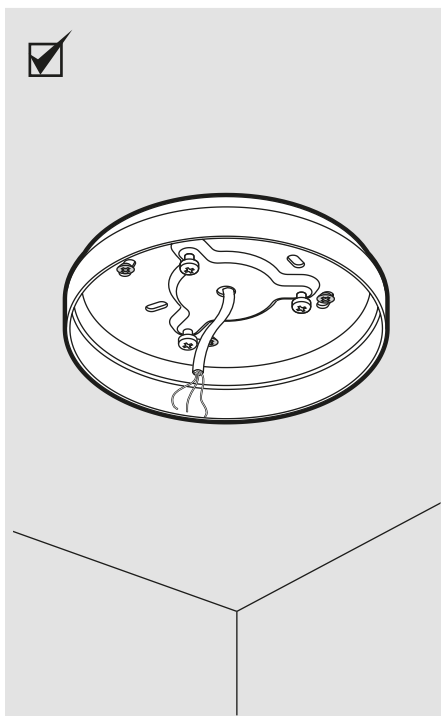
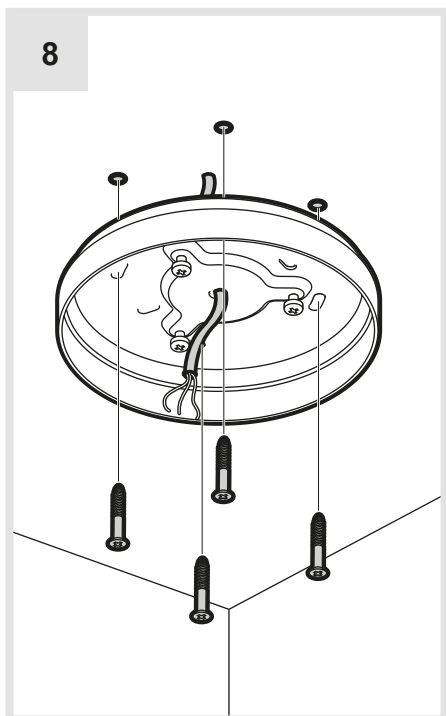
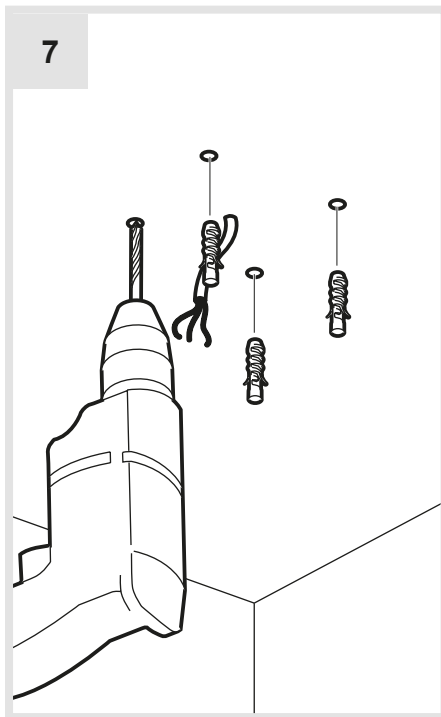
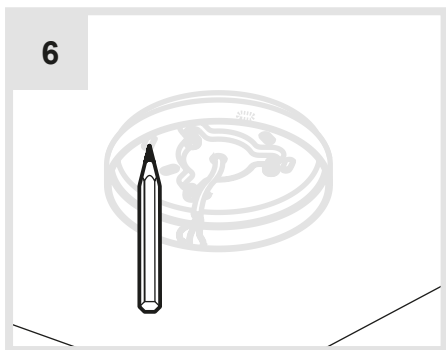
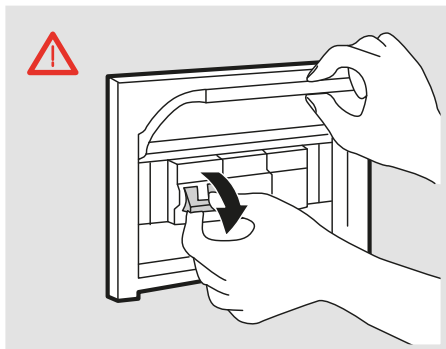


4

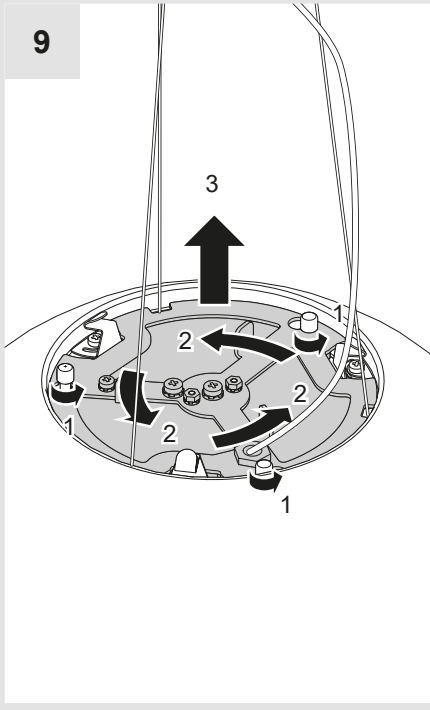


5

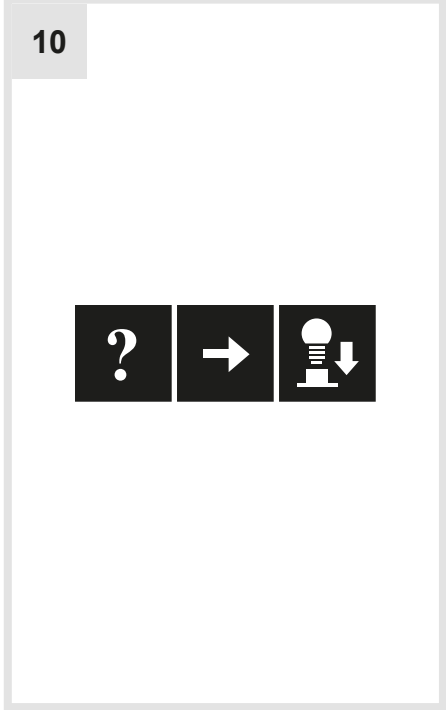




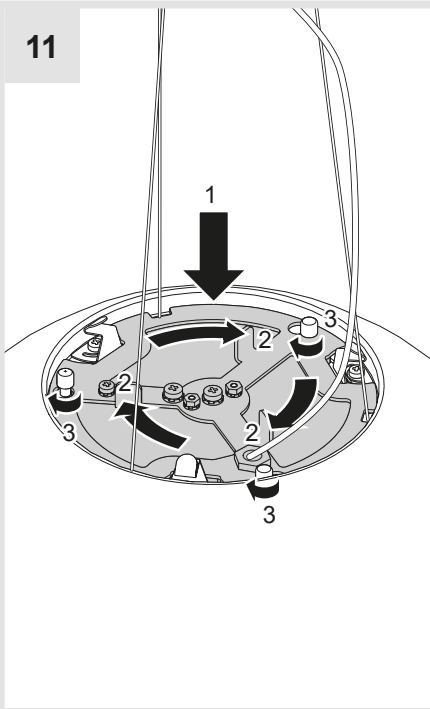
9



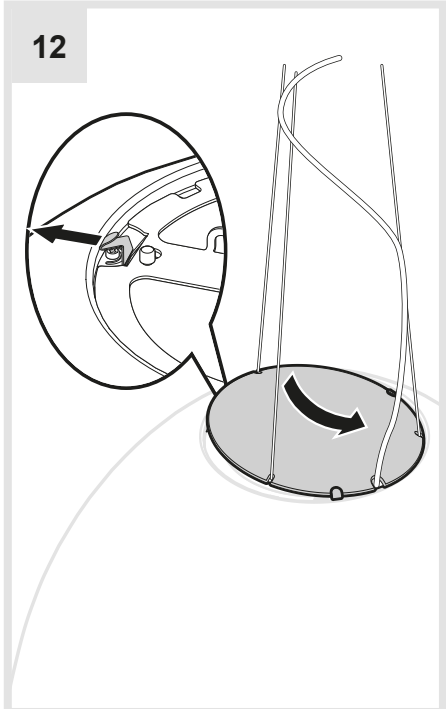
10



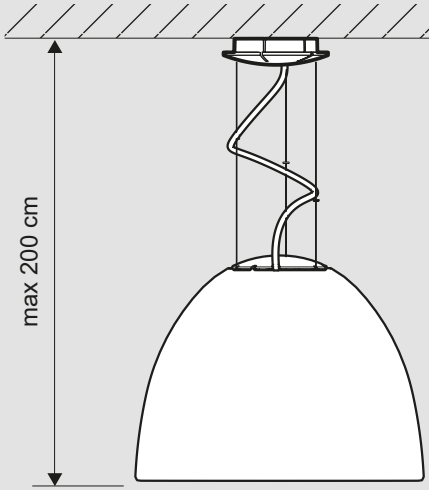
11



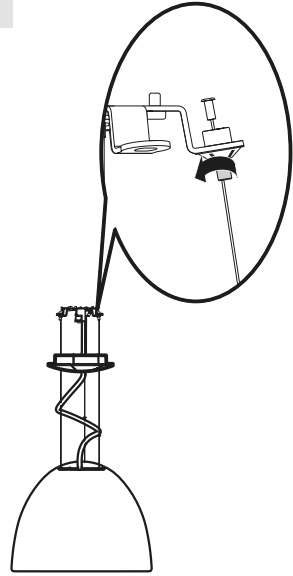
12



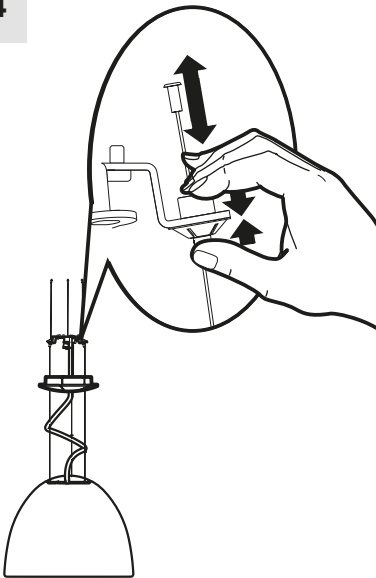
i



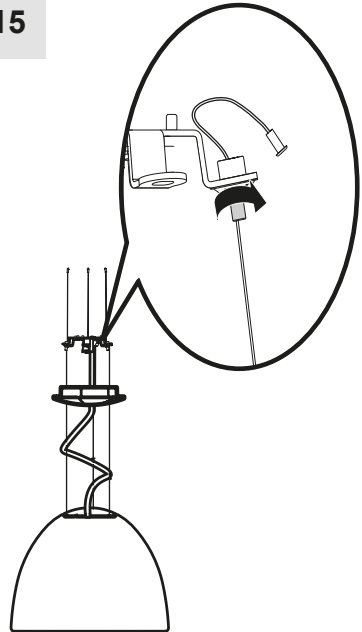
13



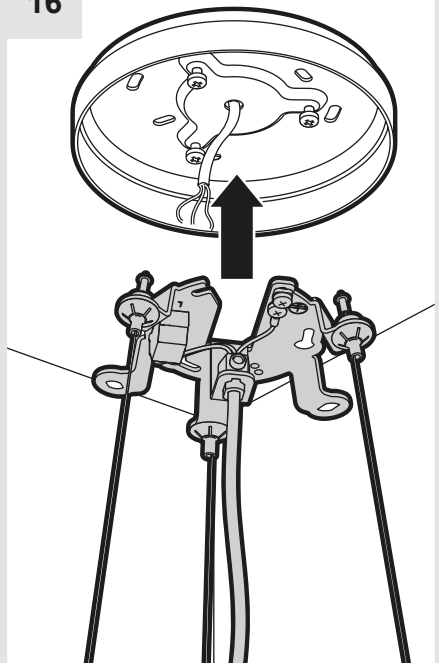
14



15



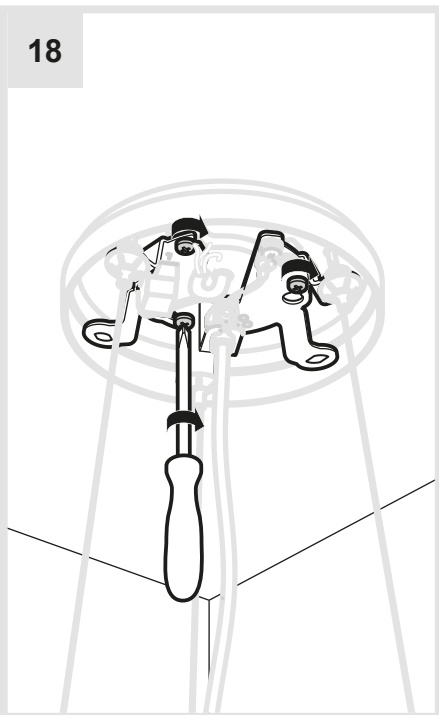
16



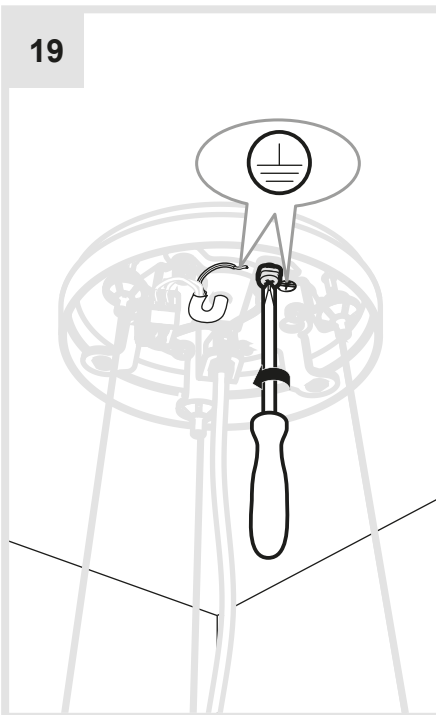
17



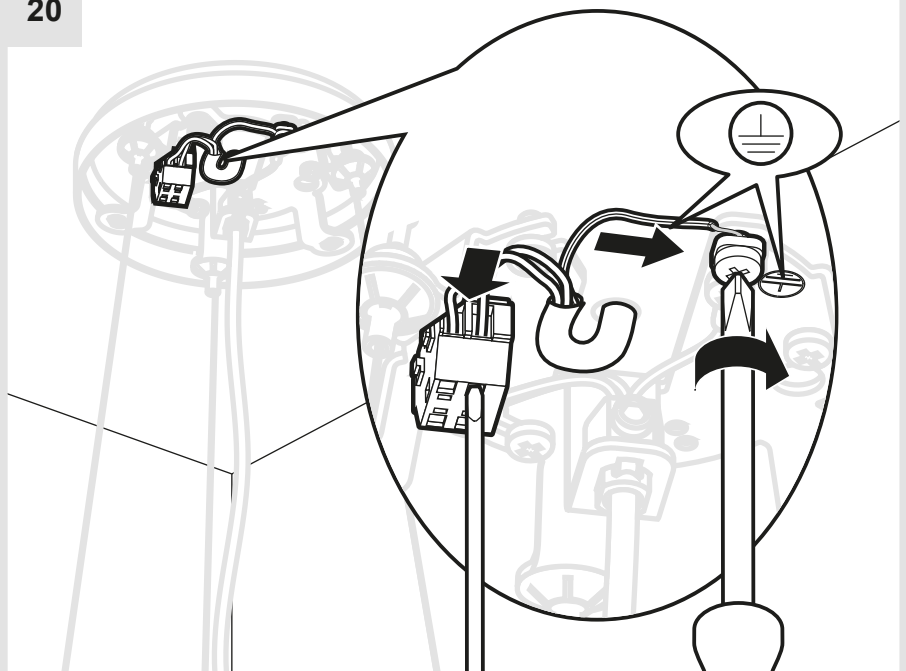
18



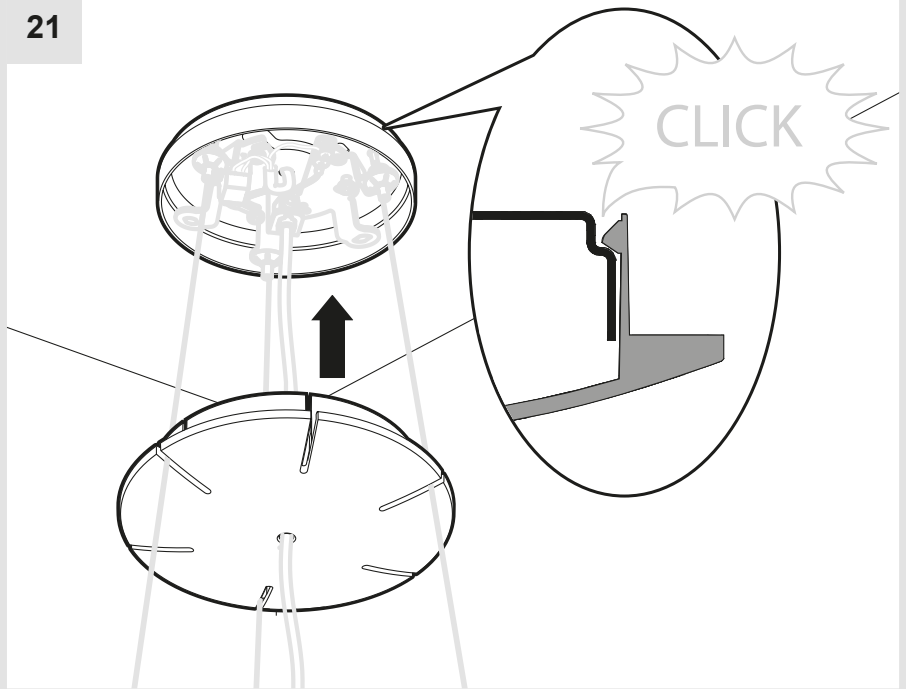
19



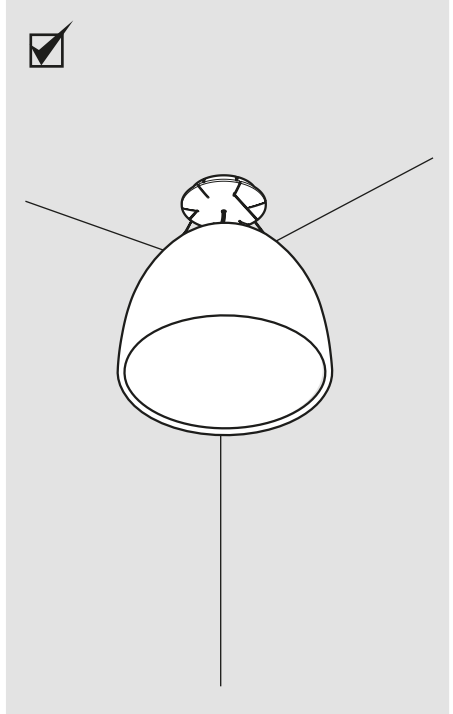
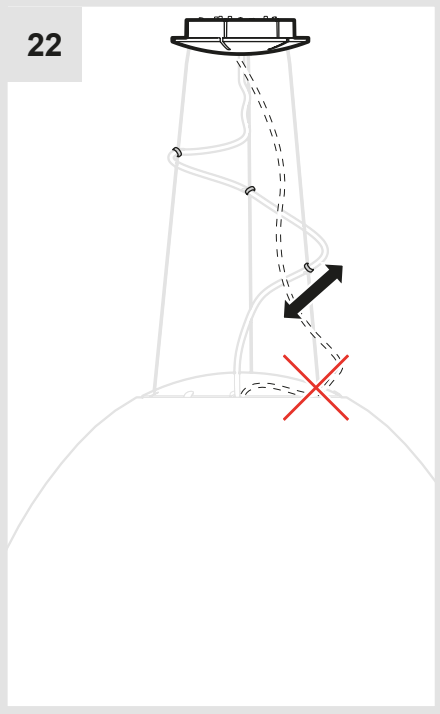
20



21

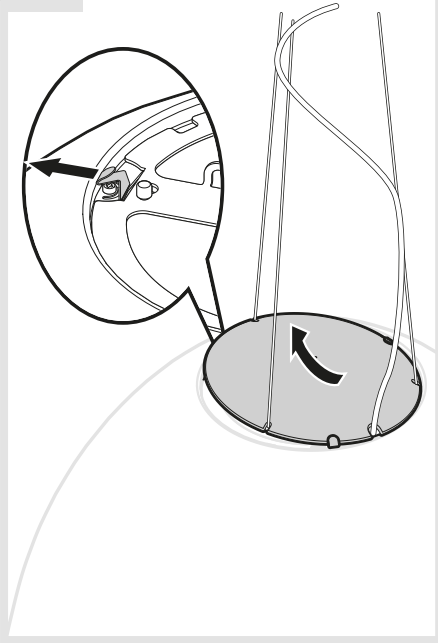


22

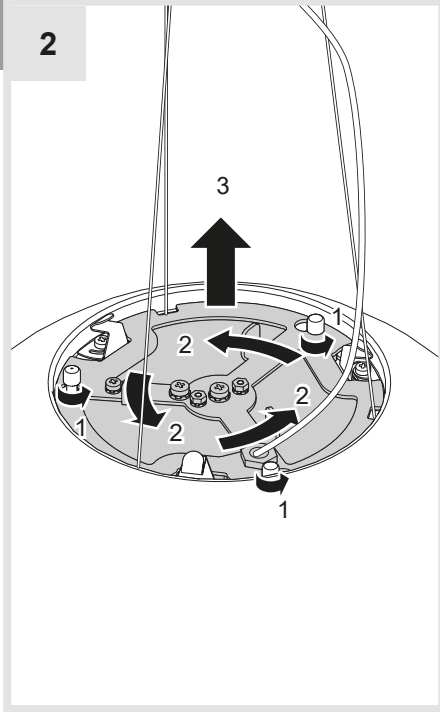




1



2



HALO



FLUO



HQI

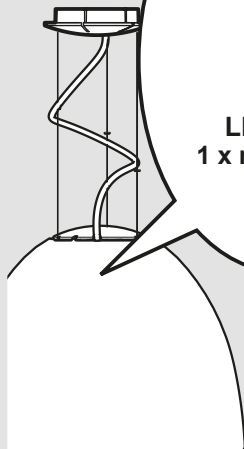




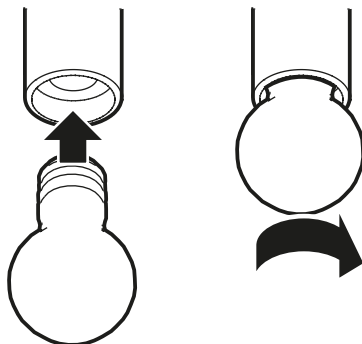
HALO E27
1 x max 150W HSG

OR

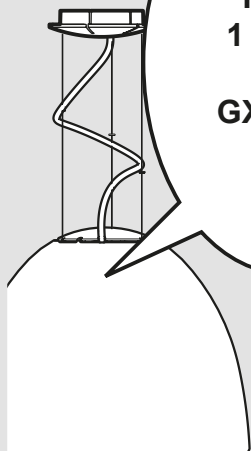
LED E27
1 x max 21W



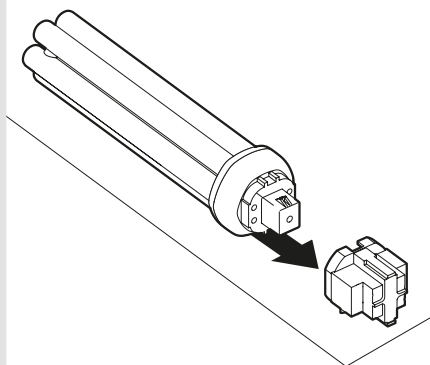
3a

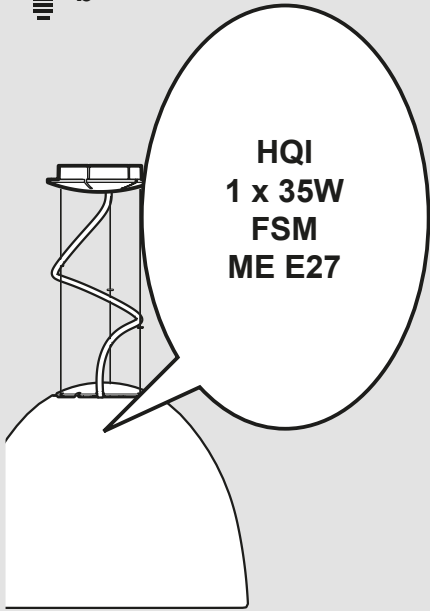


FLUO
1 x 42W
FSM
GX 24q-4

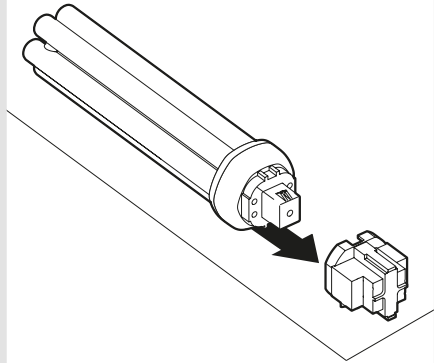


3b

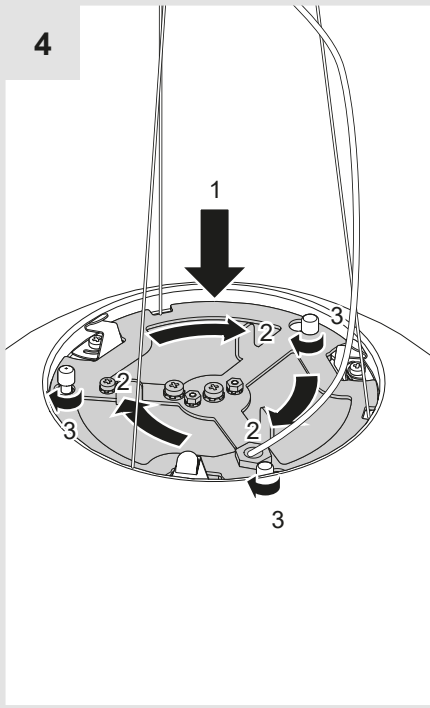




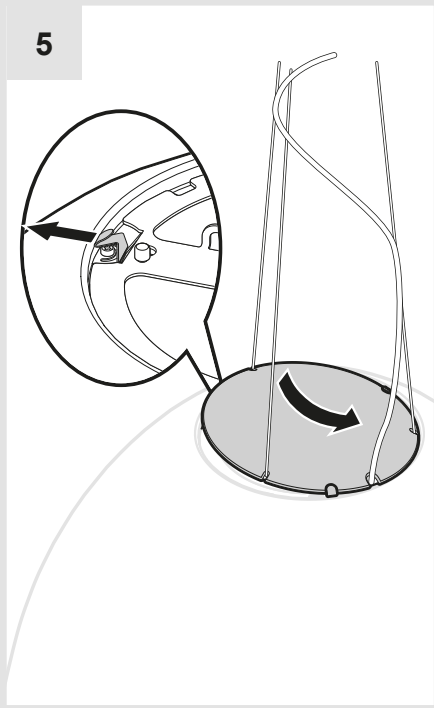
3b

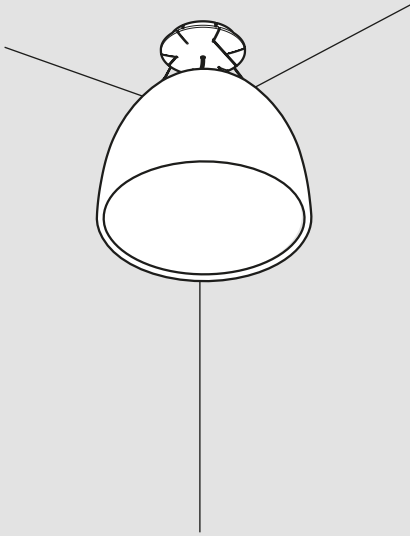


4



5

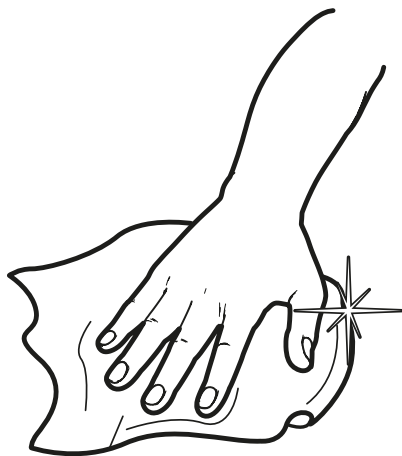




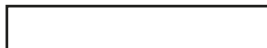
i



1



Artemide®



Artemide

via Bergamo, 18
20010 Pregnana M.se (MI)
ITALIA

tel. +39 02 935 181
fax +39 02 935 90 254
fax +39 02 935 90 496

www.artemide.com

VAT IT00846890150

cod. Y513000023