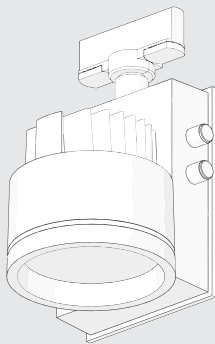
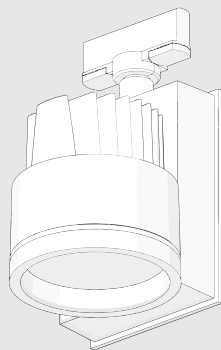
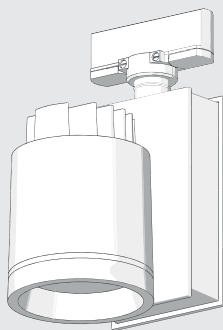
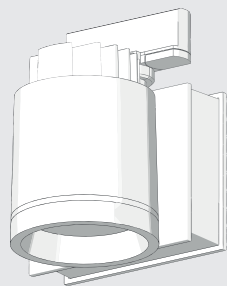
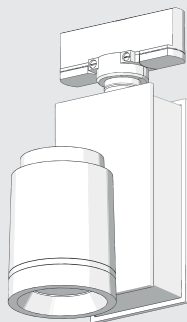
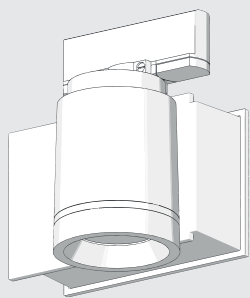


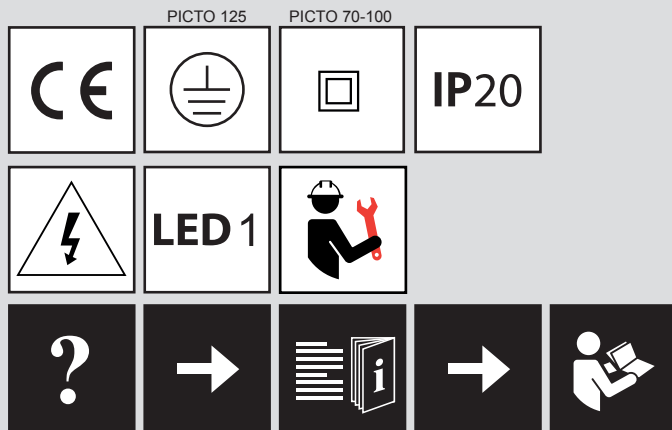
PICTO 70-100-125 LED

design

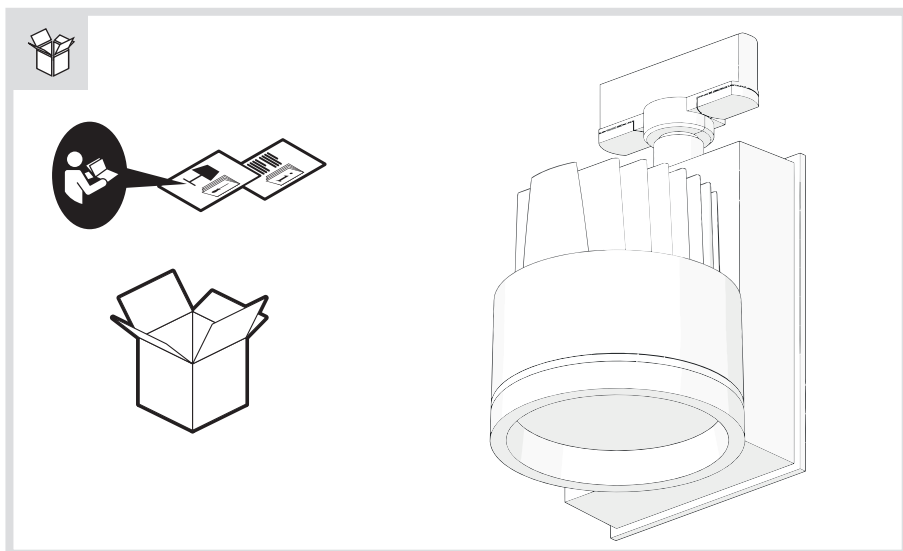


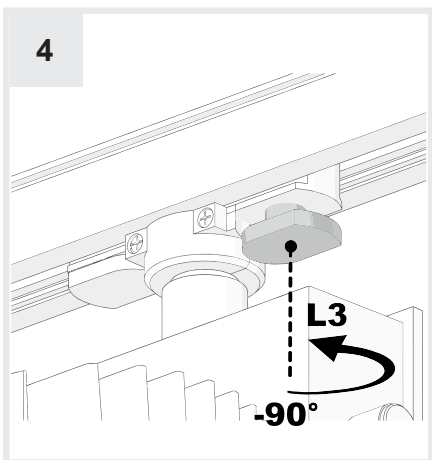
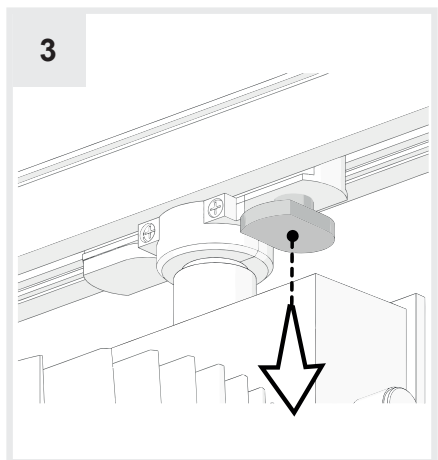
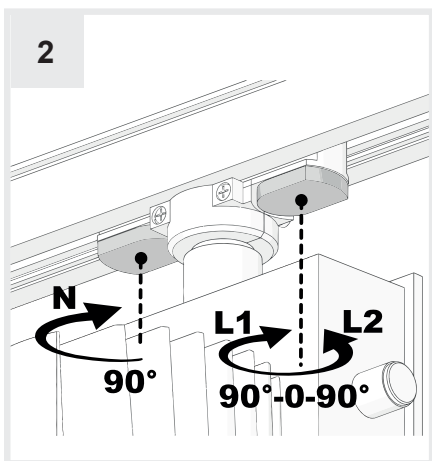
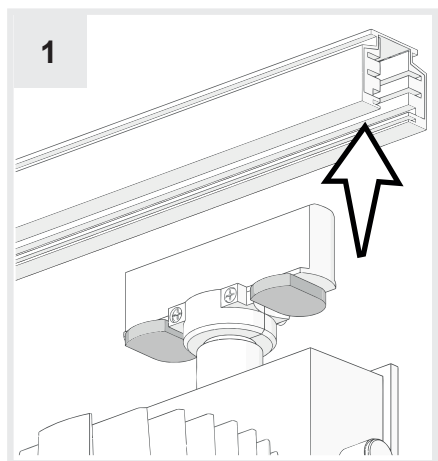
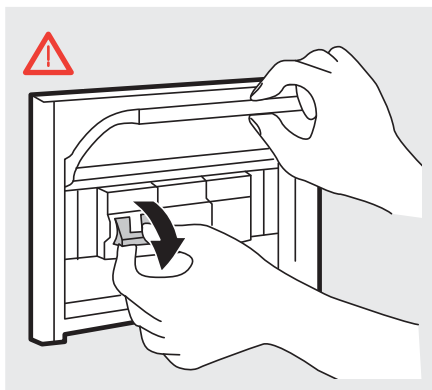
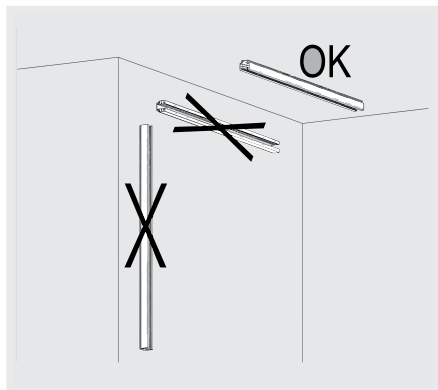


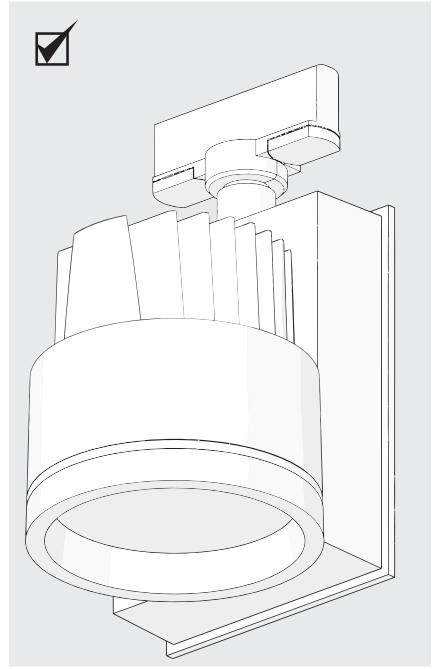
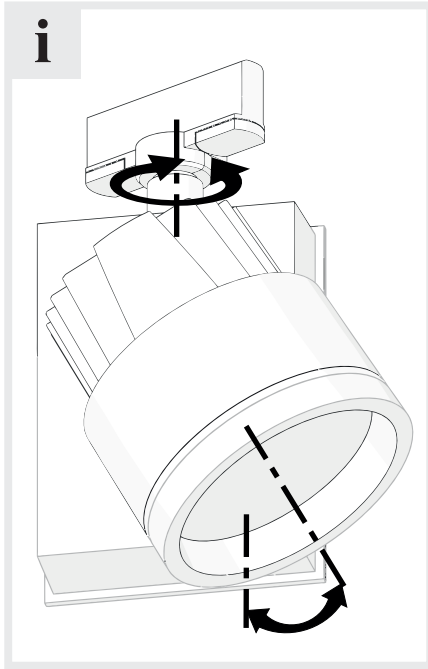
i



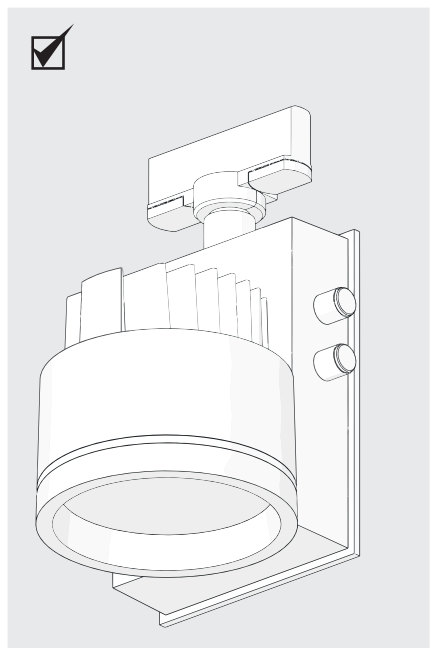
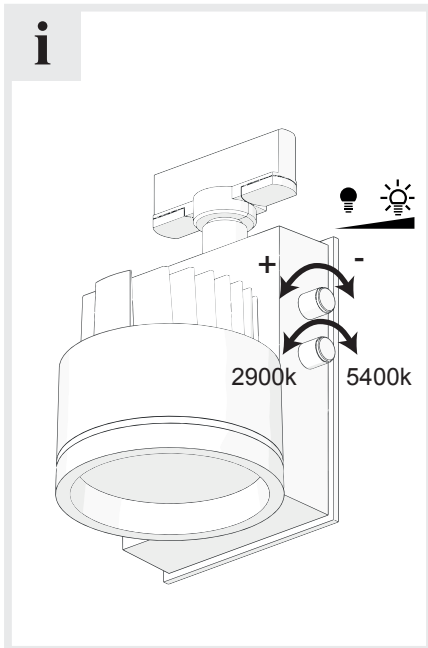
Picto 70-100-125 Led





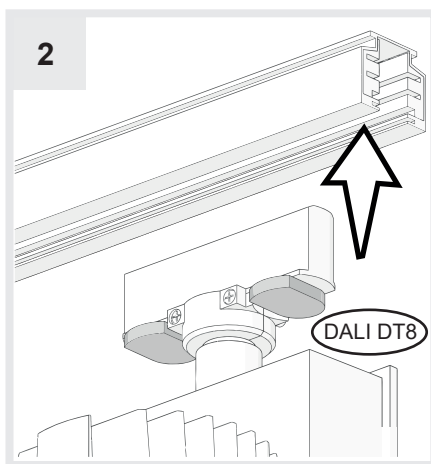
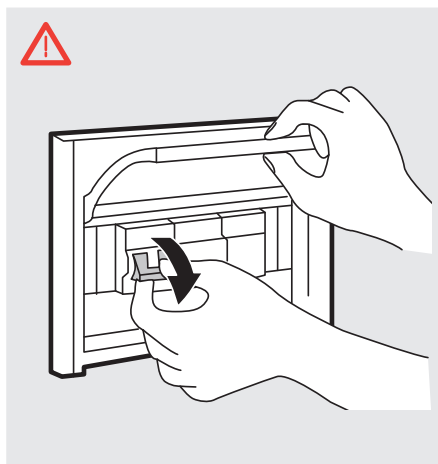
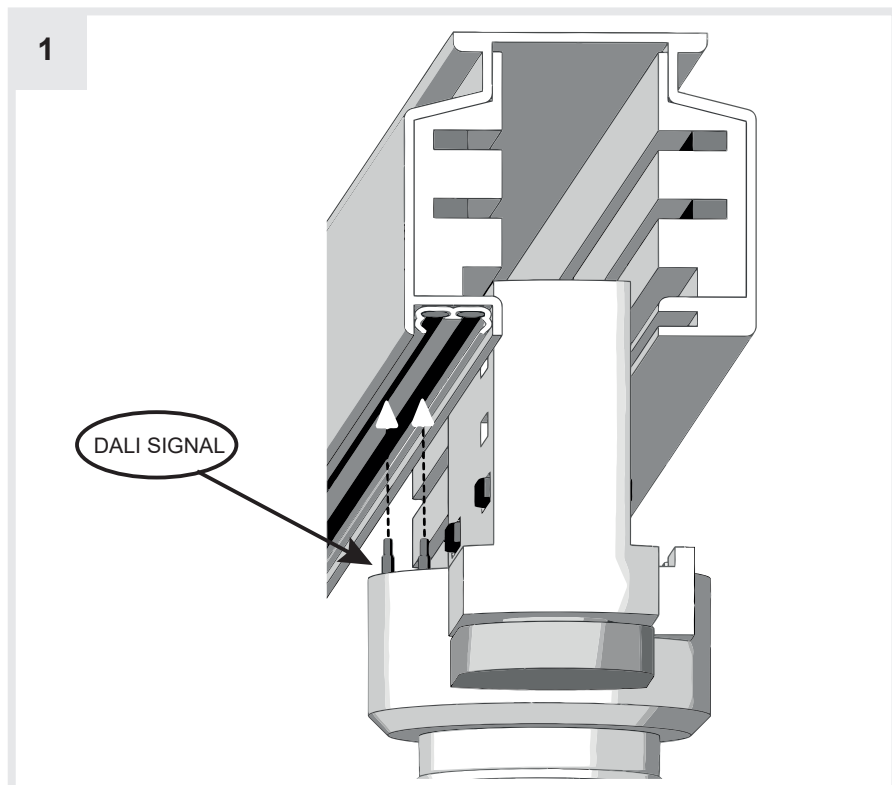


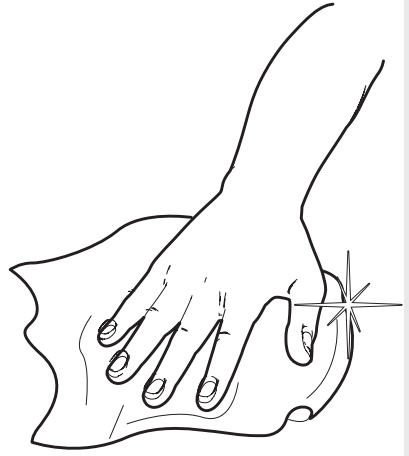
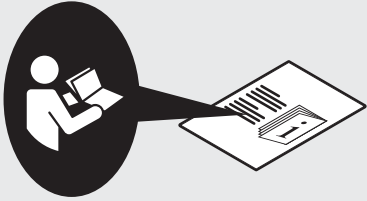
Picto TW





Picto Tw Dali 8







Artemide Spa

via Bergamo, 18
20010 Pregnana M.se (MI)
ITALIA

Tel. +39 02 935 181
Fax +39 02 935 90 254
Fax +39 02 935 90 496

www.artemide.com

VAT IT00846890150