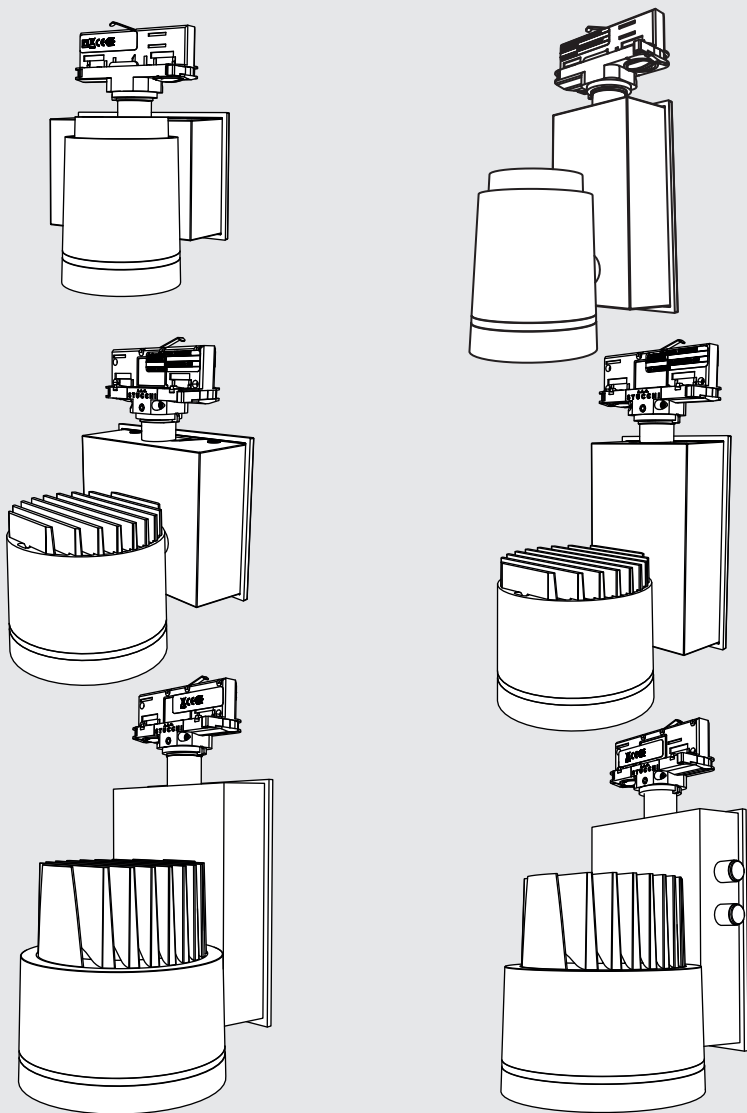


## PICTO 70-100-125 LED

design

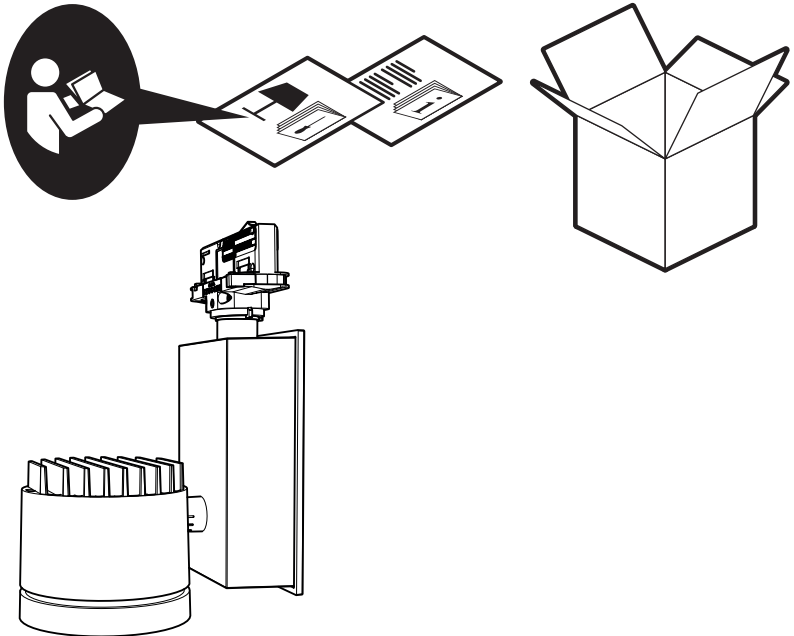
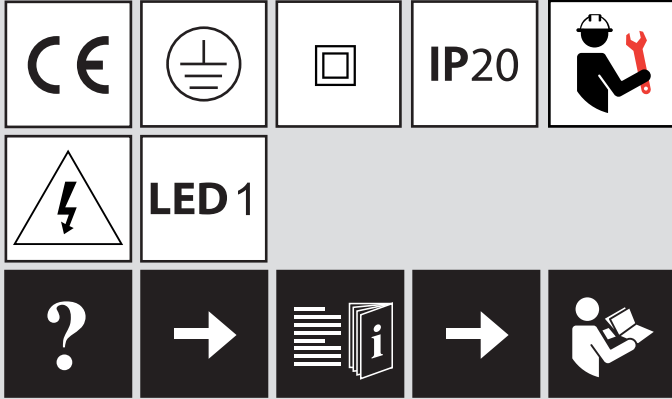


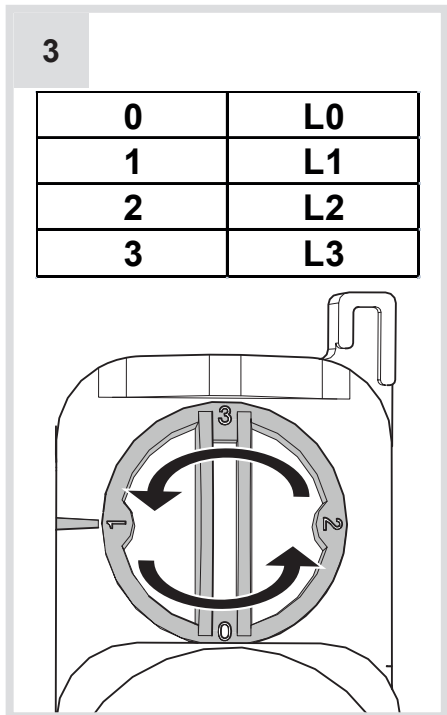
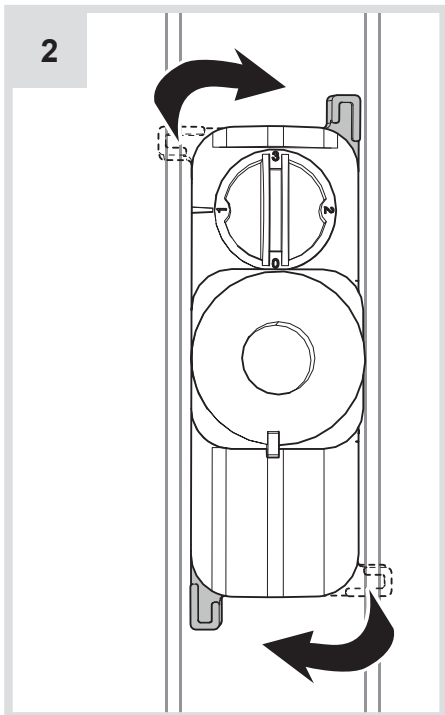
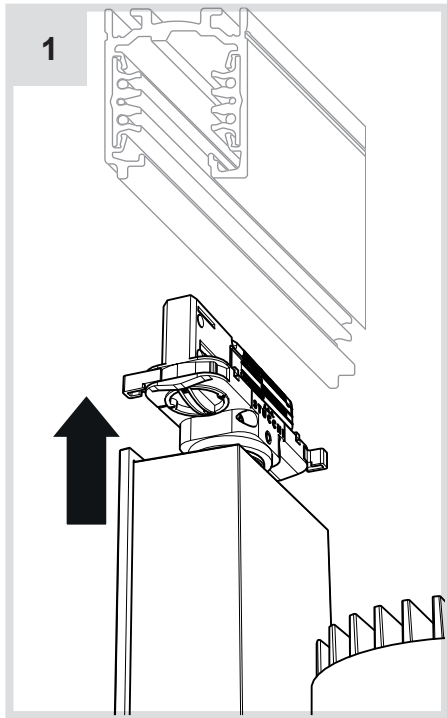
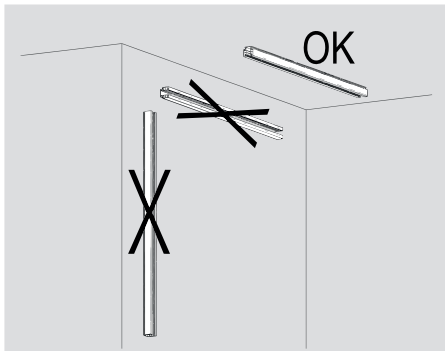
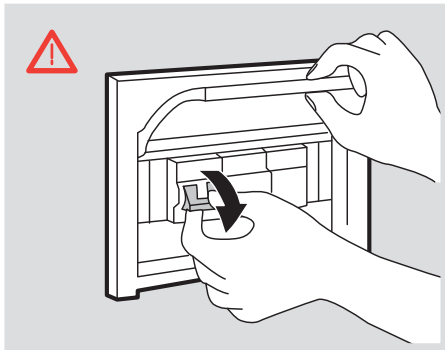


i

PICTO 125

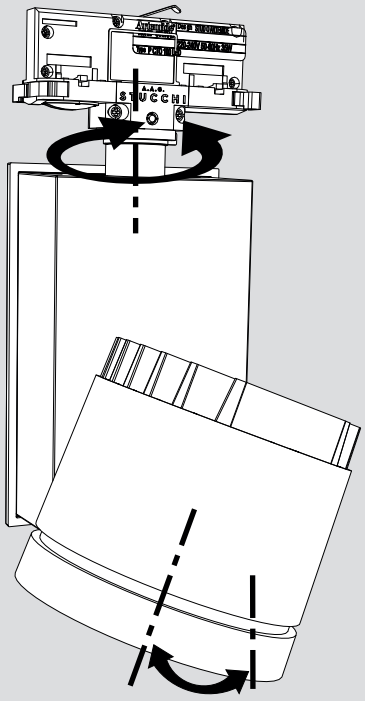
PICTO 70-100





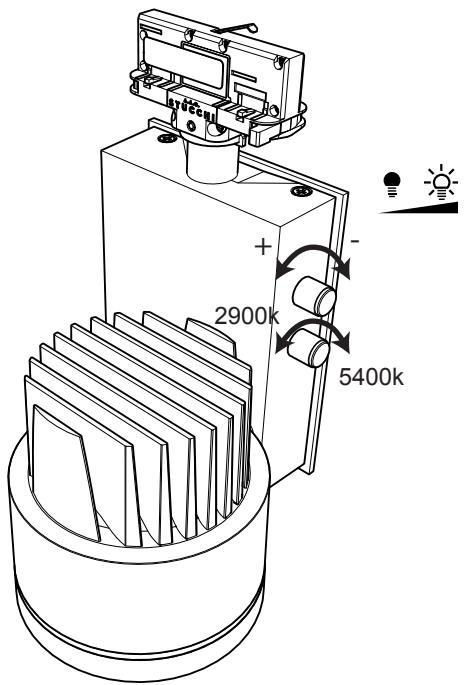


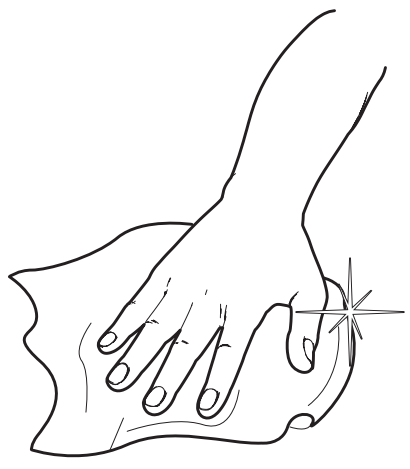
**i**

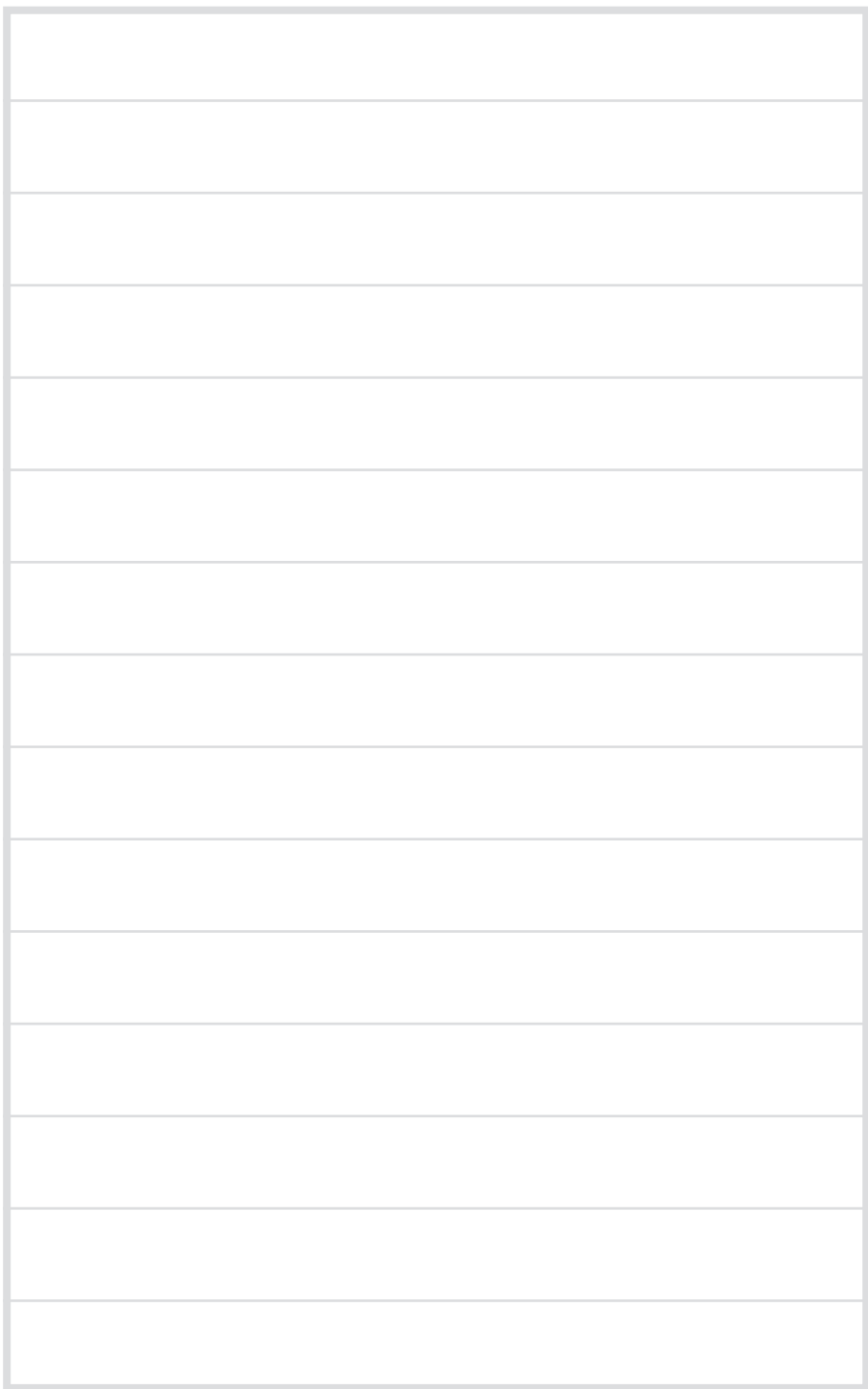


**i**

# Picto TW









**Artemide**<sup>®</sup>  
ARCHITECTURAL



## **Artemide Spa**

via Bergamo, 18  
20010 Pregnana M.se (MI)  
ITALIA

Tel. +39 02 935 181  
Fax +39 02 935 90 254  
Fax +39 02 935 90 496

[www.artemide.com](http://www.artemide.com)

VAT IT00846890150

cod. Y513000973