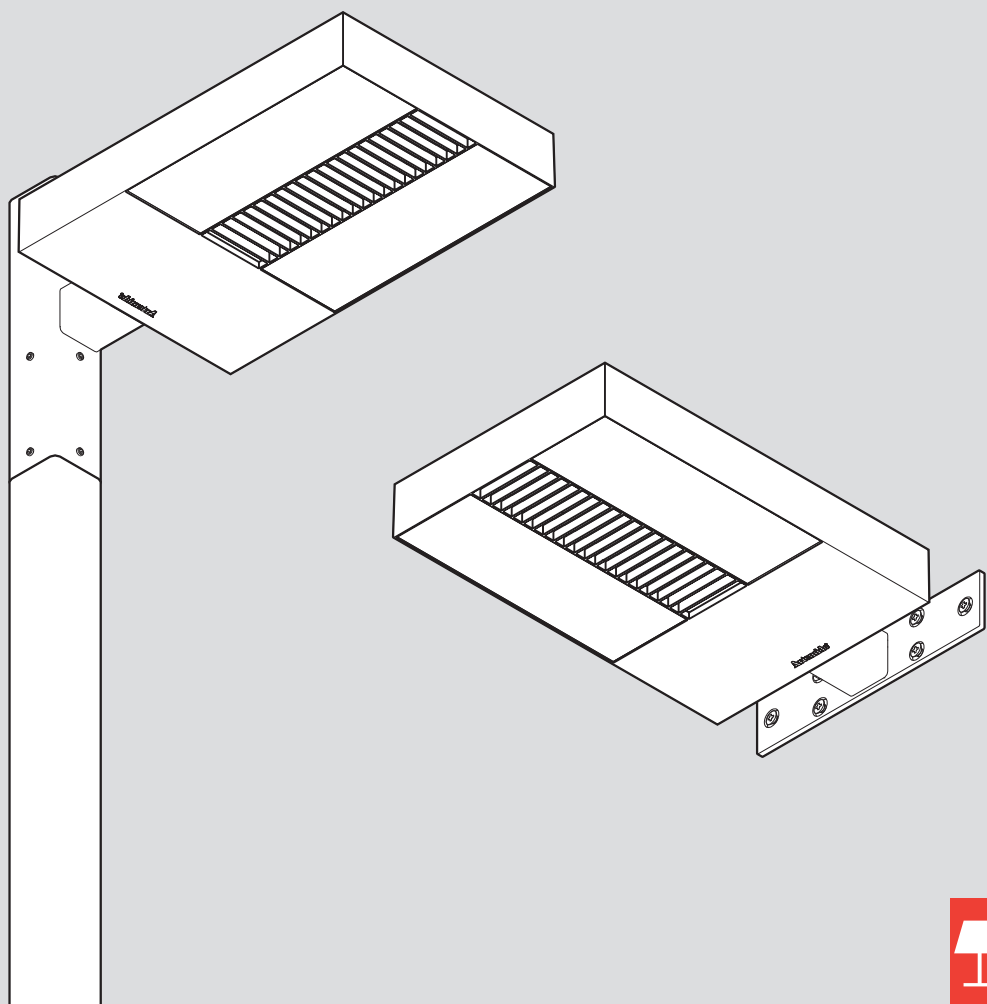


Artemide®

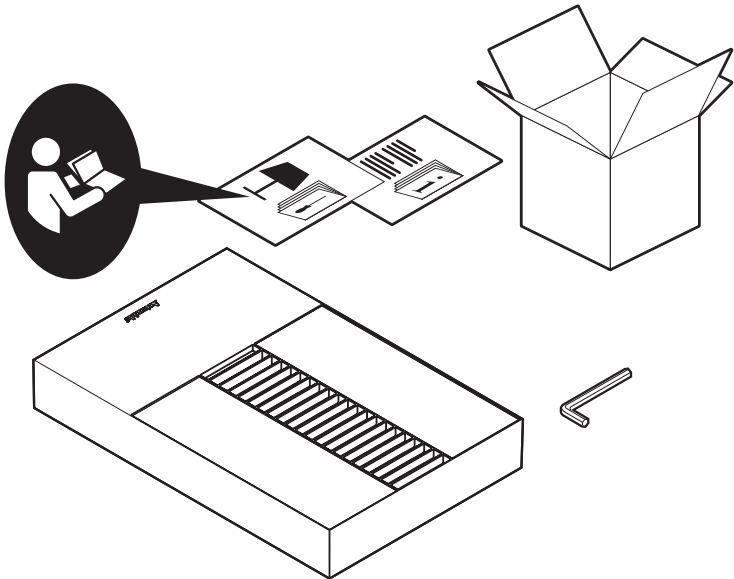
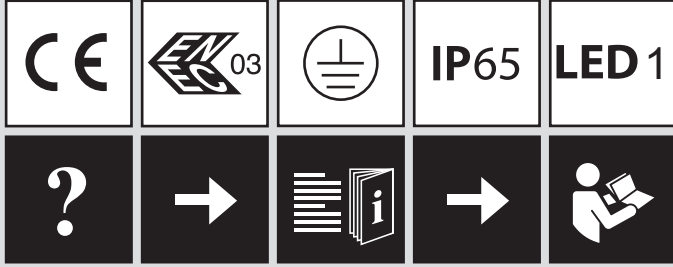
Provoca

design
Ernesto Gismondi

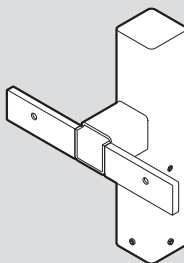




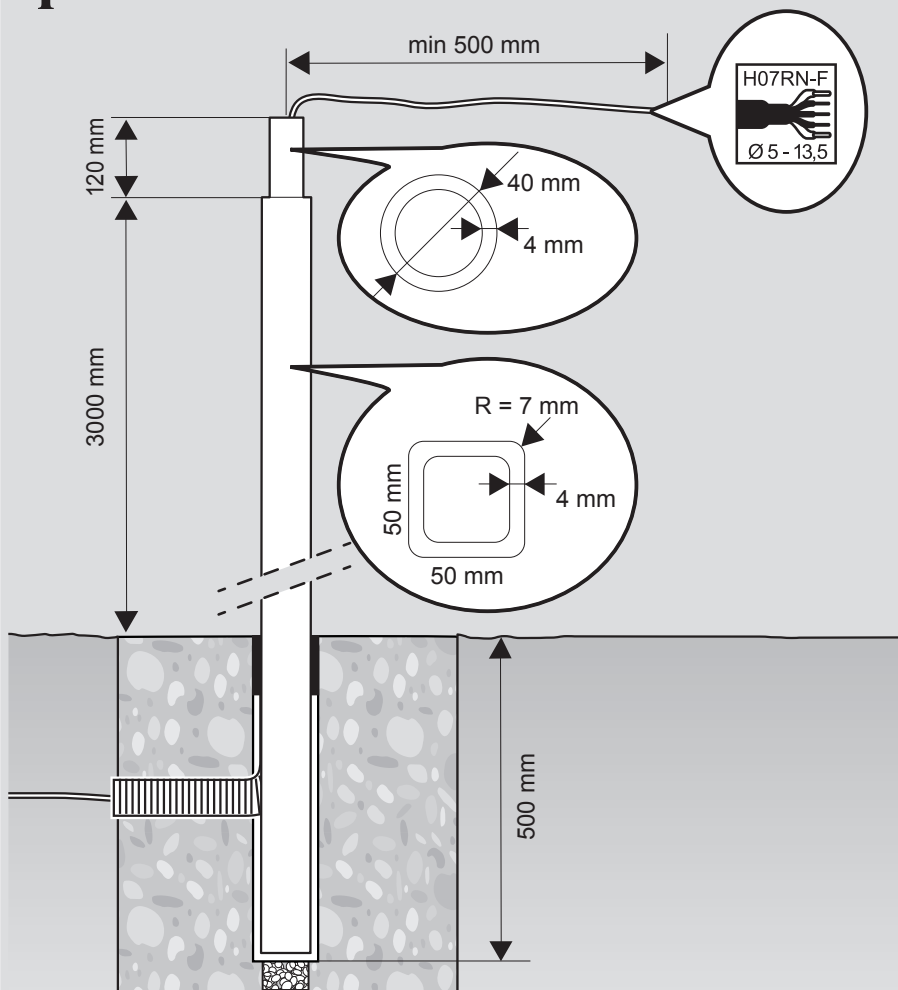
i

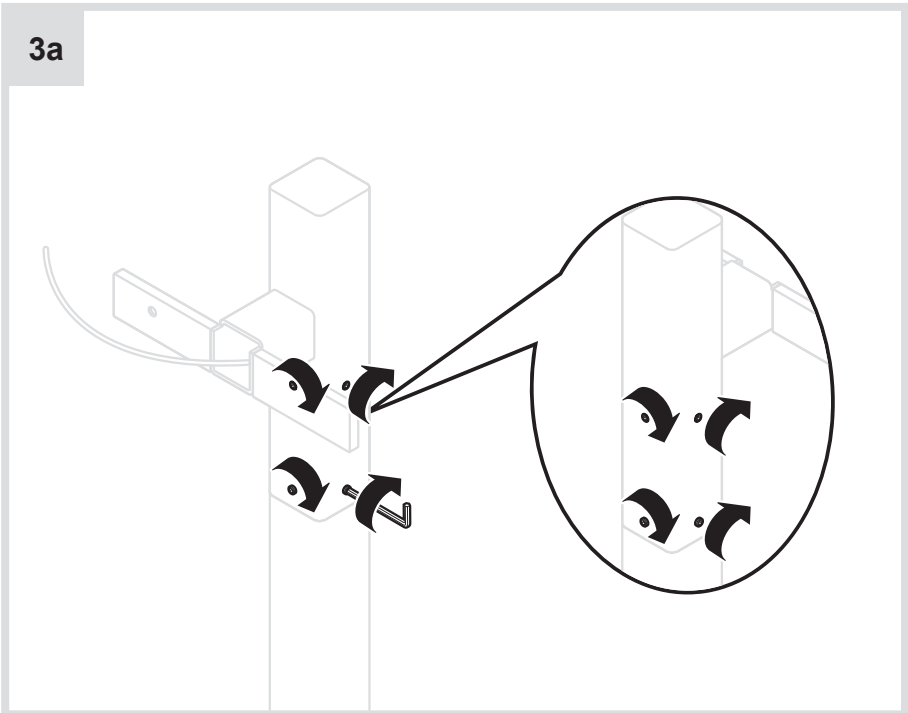
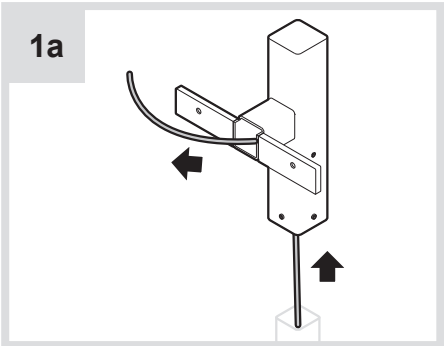
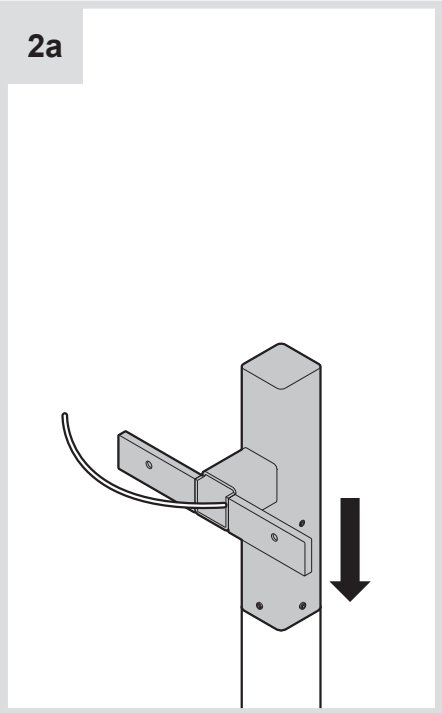
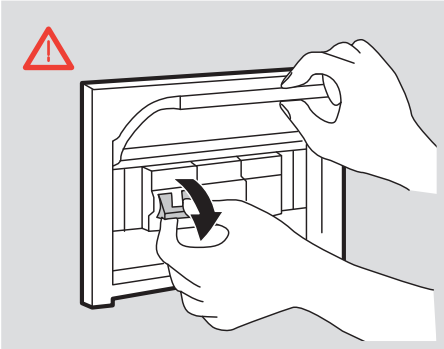


i

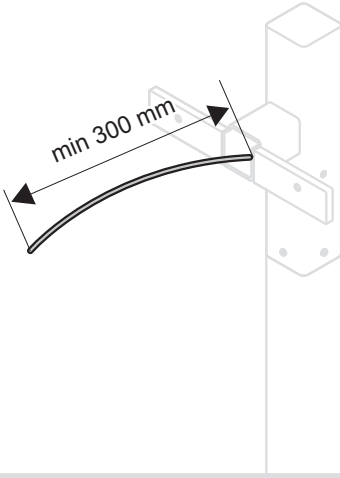


i

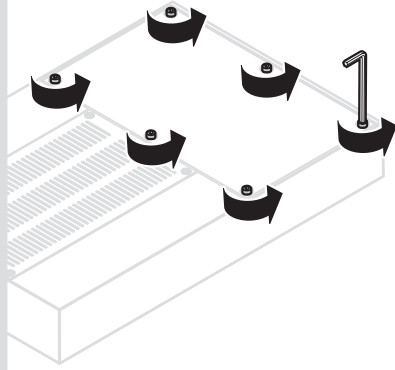




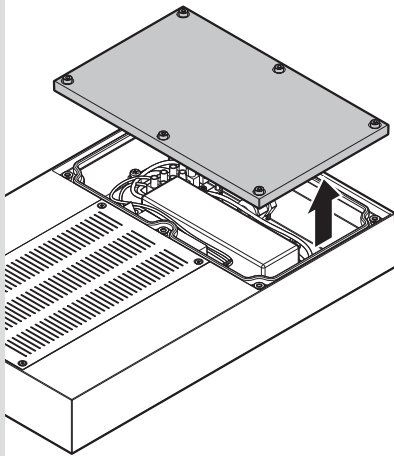
4a



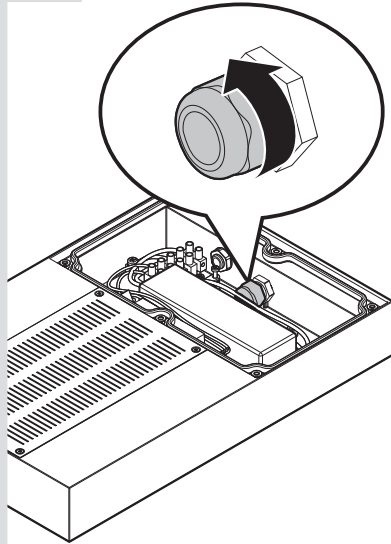
5a



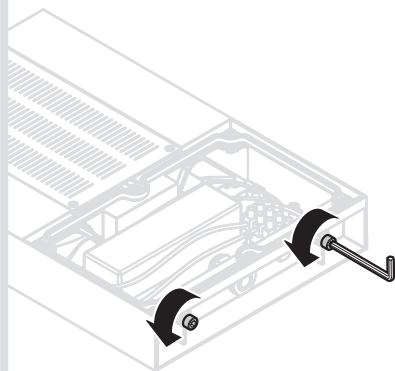
6a



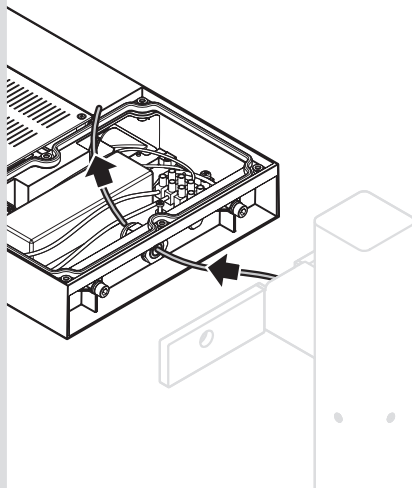
7a



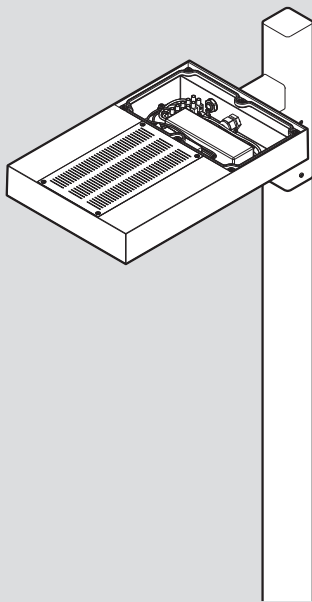
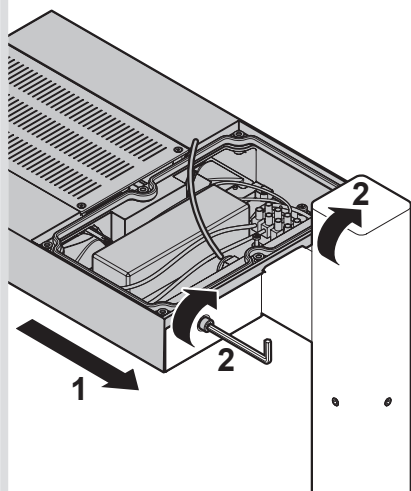
8a



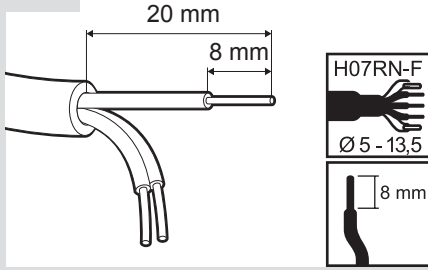
9a



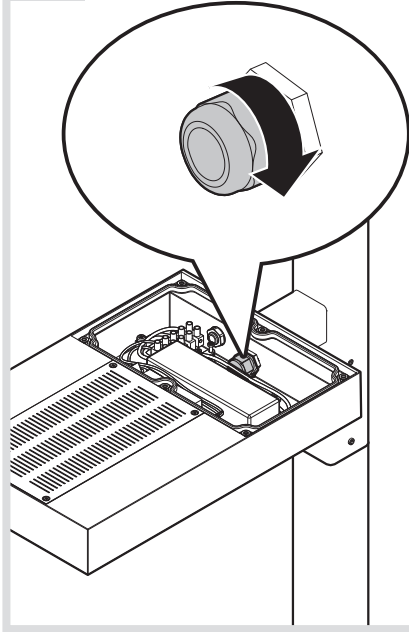
10a



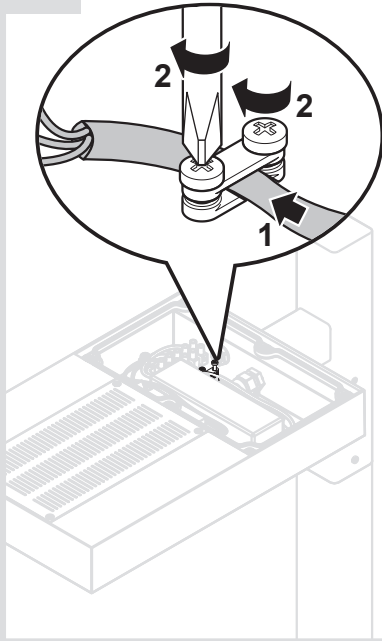
11a



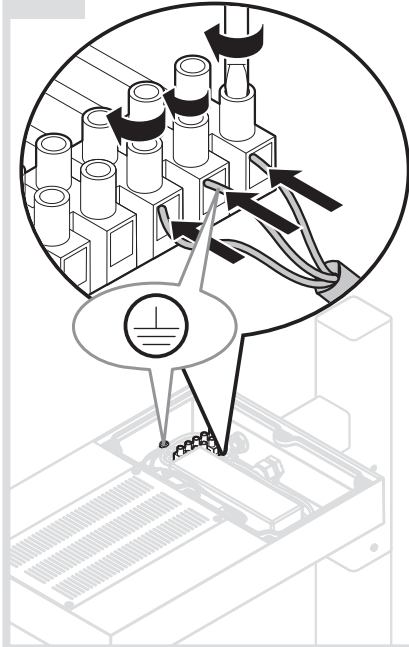
12a



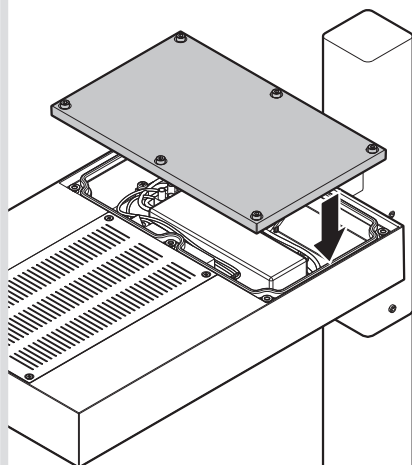
13a



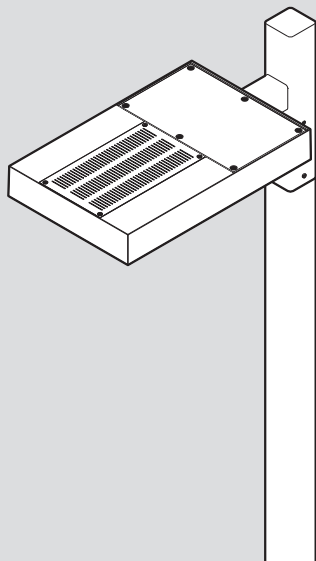
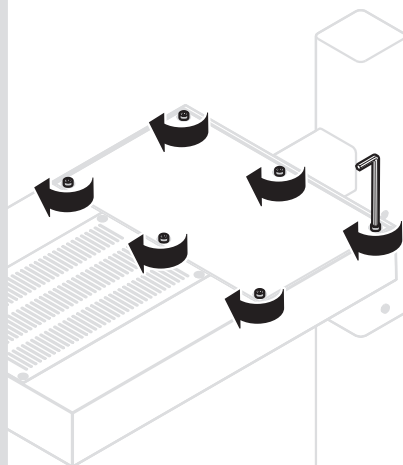
14a



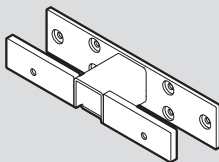
15a



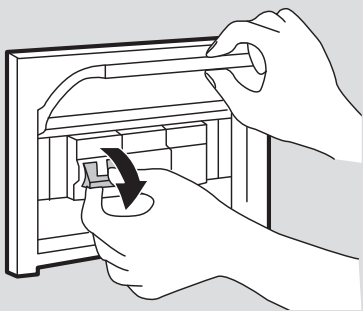
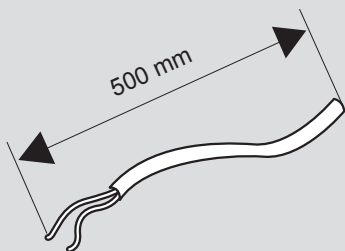
16a



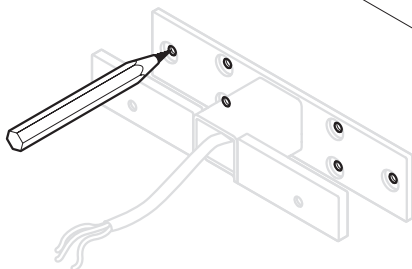
i



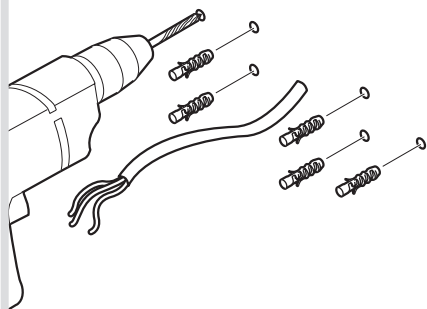
i



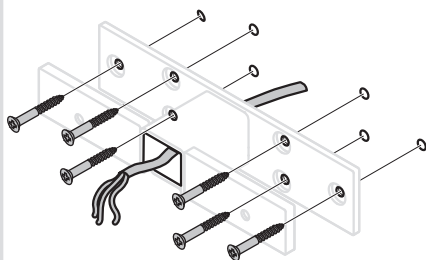
1b



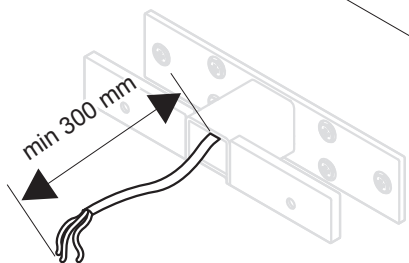
2b



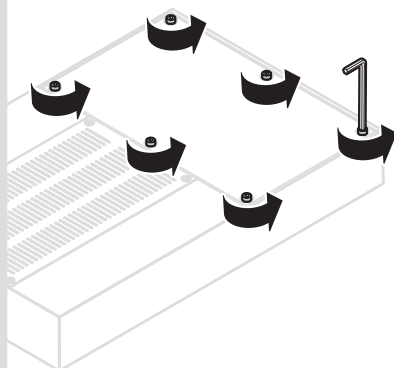
3b



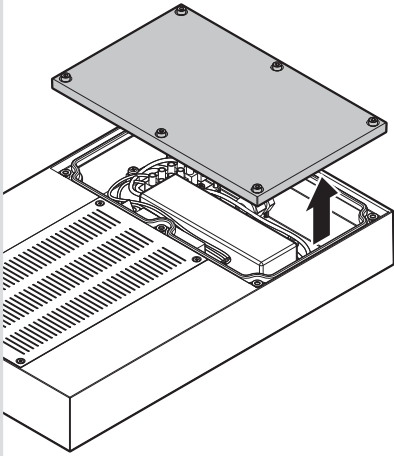
4b



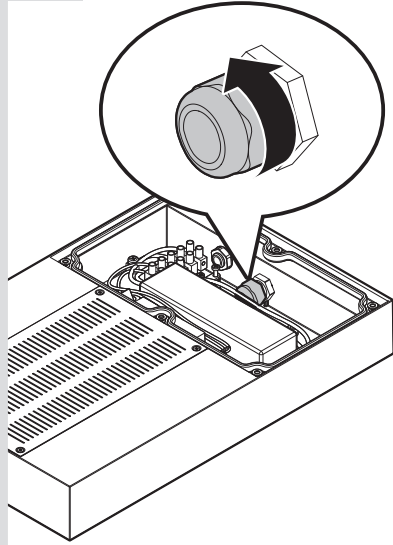
5b



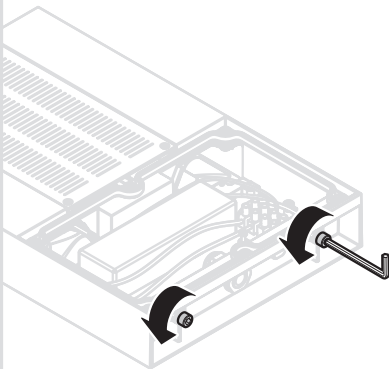
6b



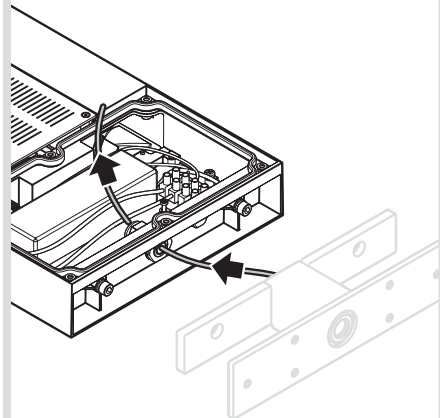
7b



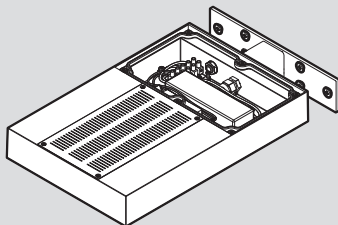
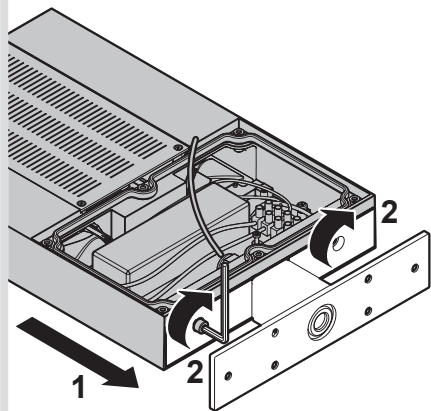
8b



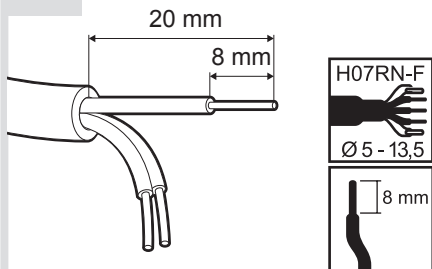
9b



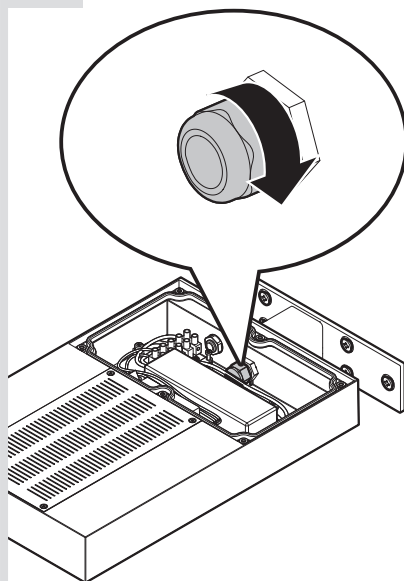
10b



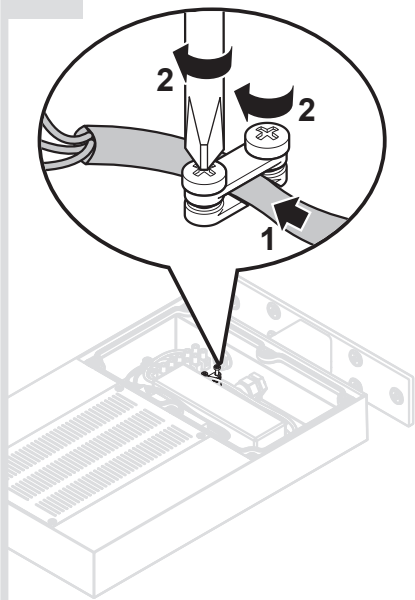
11b



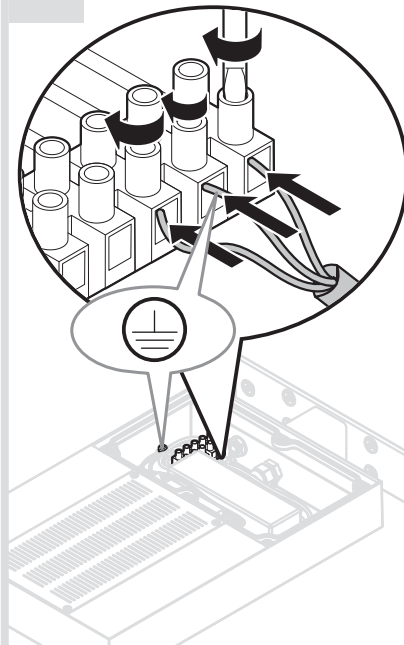
12b



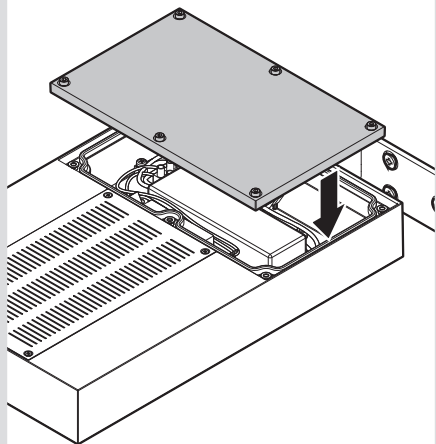
13b



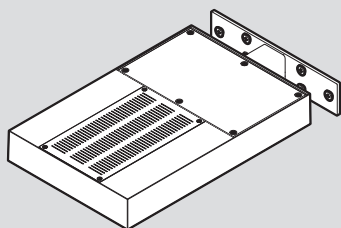
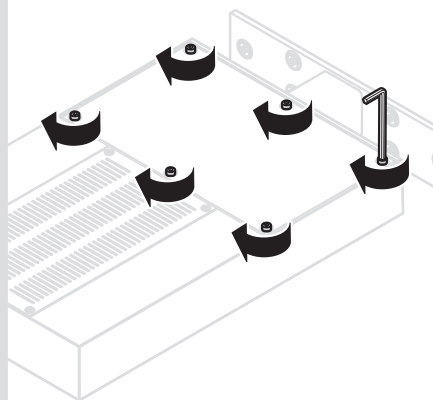
14b



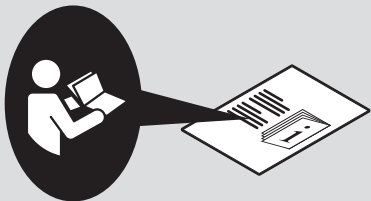
15b



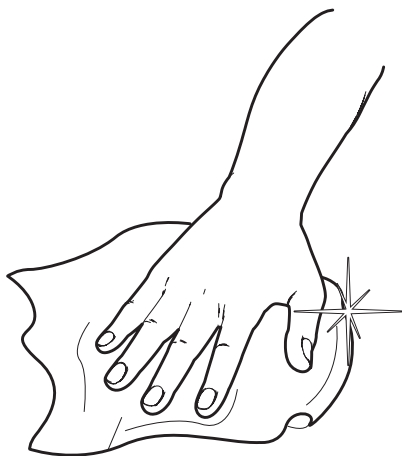
16b



i



1



Artemide®



Artemide

via Bergamo, 18
20010 Pregnana M.se (MI)
ITALIA

tel. +39 02 935 181
fax +39 02 935 90 254
fax +39 02 935 90 496

www.artemide.com

VAT IT00846890150

cod. Y513000057A