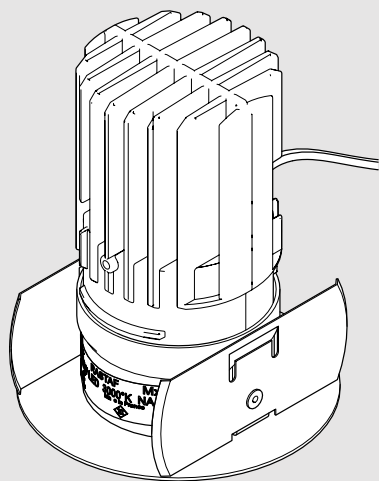


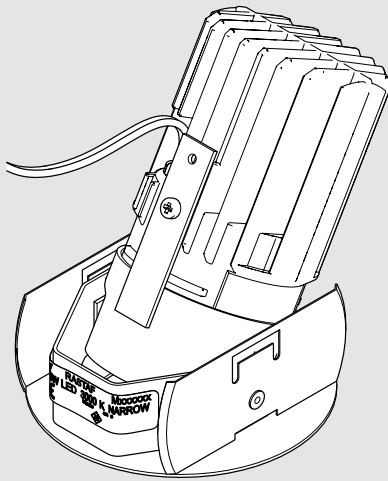
RASTAF LED



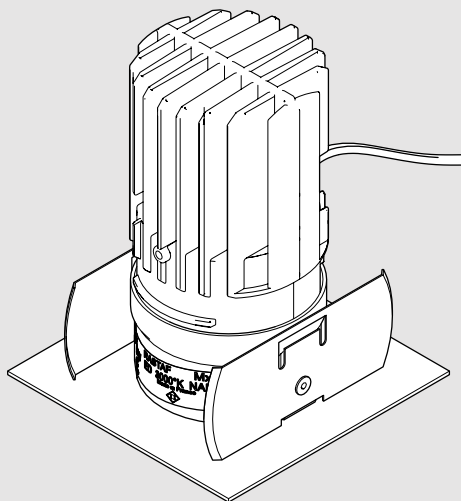
RASTAF LED ROUND FIX



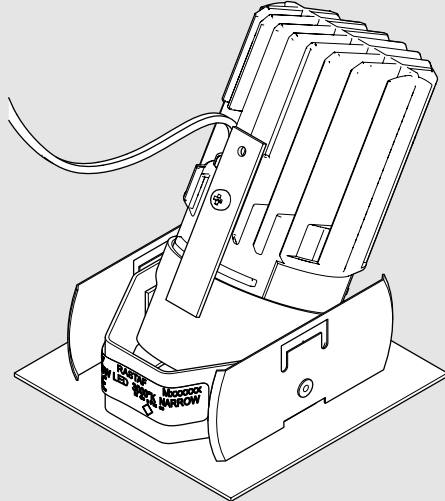
RASTAF LED ROUND ADJUSTABLE



RASTAF LED SQUARE FIX



RASTAF LED SQUARE ADJUSTABLE

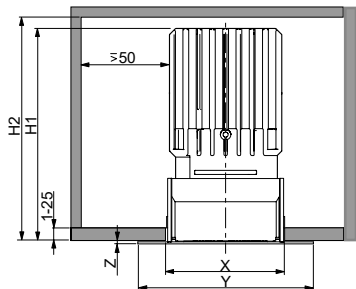
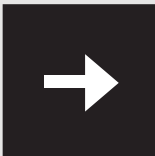
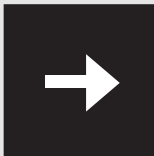
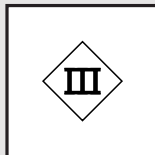
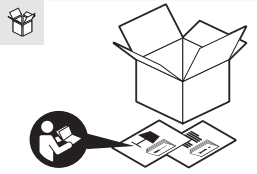
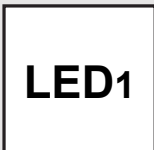




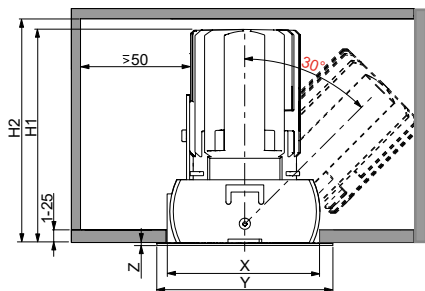
Adjustable



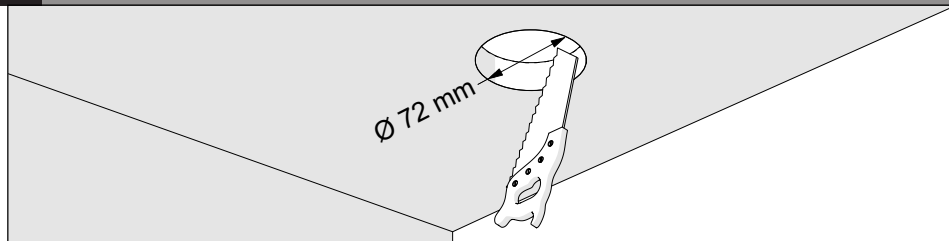
Fix

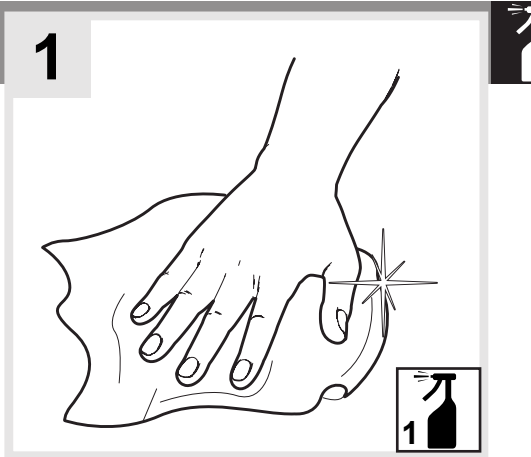
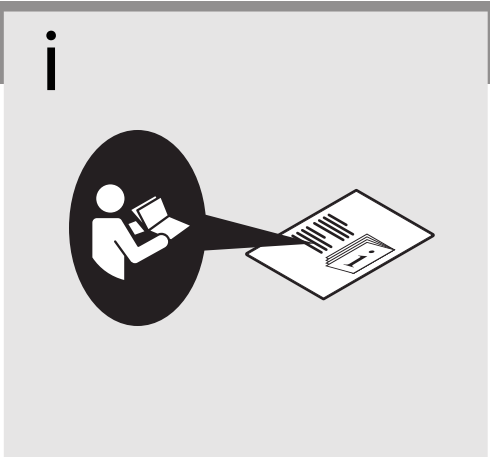
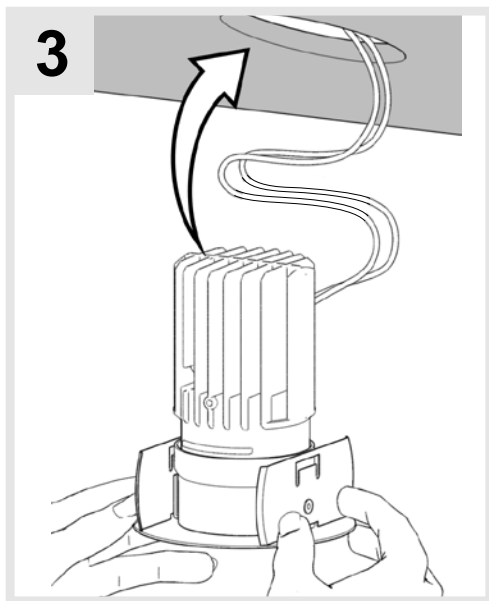
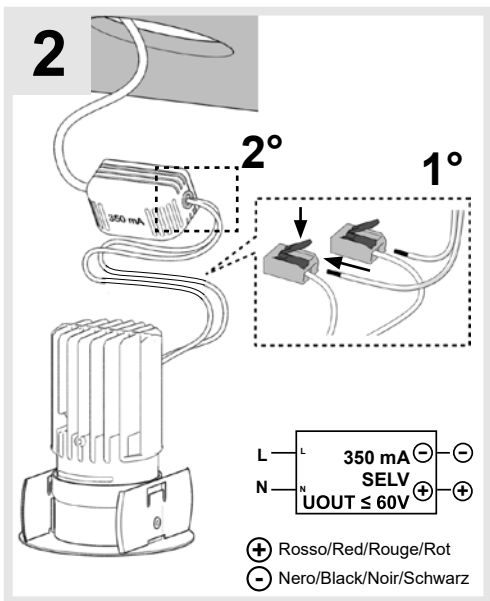
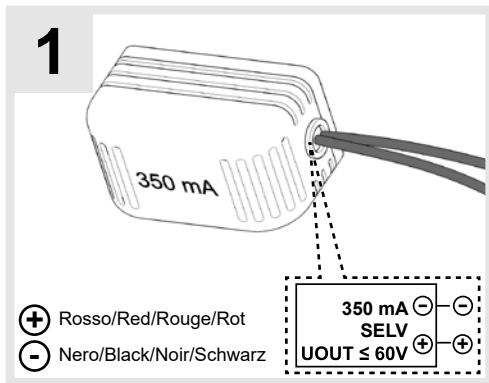
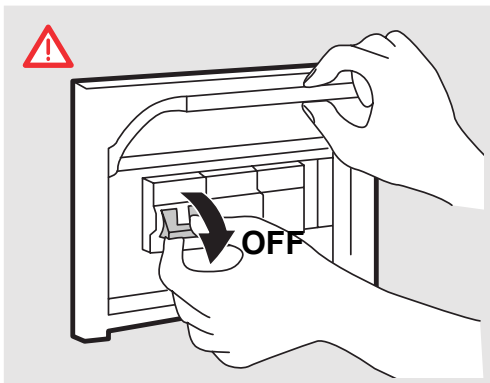


| Fix | | | | | |
|------------|--------|--------|--------|---------|---------|
| RASTAF LED | X (mm) | Y (mm) | Z (mm) | H1 (mm) | H2 (mm) |
| ROUND | 72 | 86 | 2 | 105 | 110 |
| SQUARE | 72 | 86 | 2 | 105 | 110 |

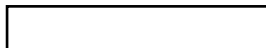


| Adjustable | | | | | |
|------------|--------|--------|--------|---------|---------|
| RASTAF LED | X (mm) | Y (mm) | Z (mm) | H1 (mm) | H2 (mm) |
| ROUND | 72 | 86 | 2 | 110 | 115 |
| SQUARE | 72 | 86 | 2 | 110 | 115 |





Artemide[®]
ARCHITECTURAL



Artemide

via Bergamo, 18
20010 Pregnana M.se (MI)
ITALIA

tel. +39 02 935 181
fax +39 02 935 90 254
fax +39 02 935 90 496

www.artemide.com

VAT IT00846890150

cod. Y503300201B