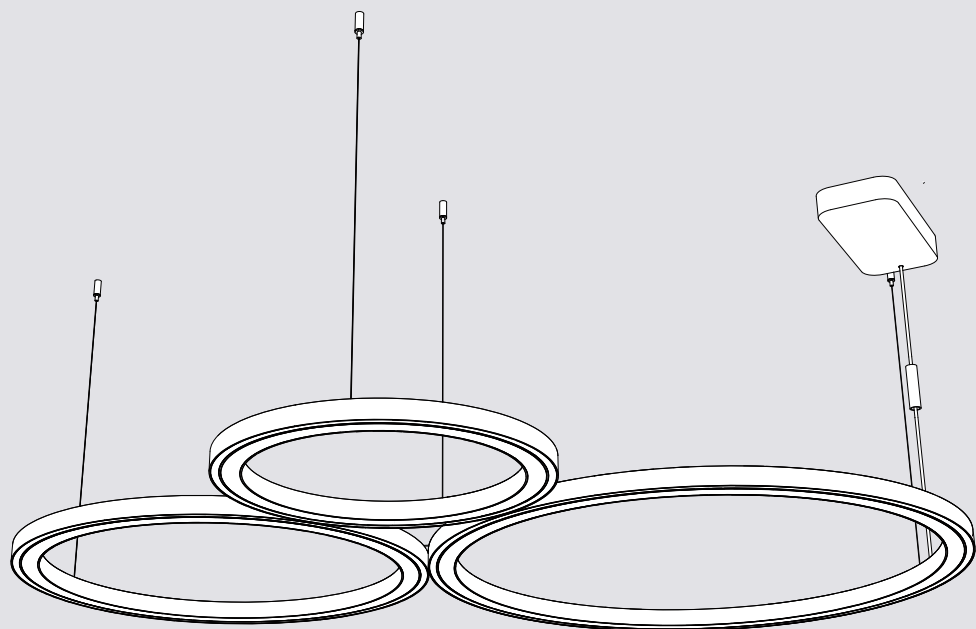


Artemide®

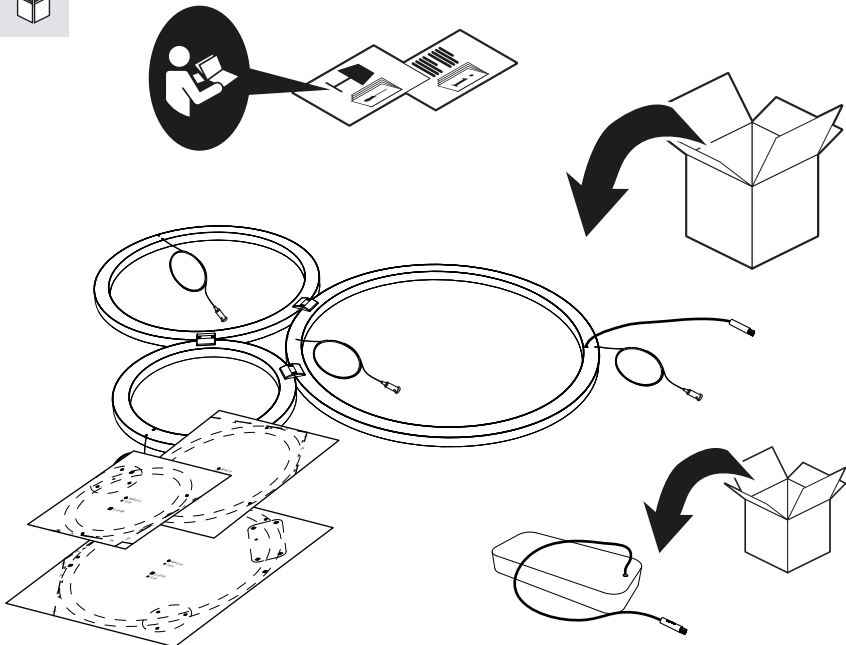
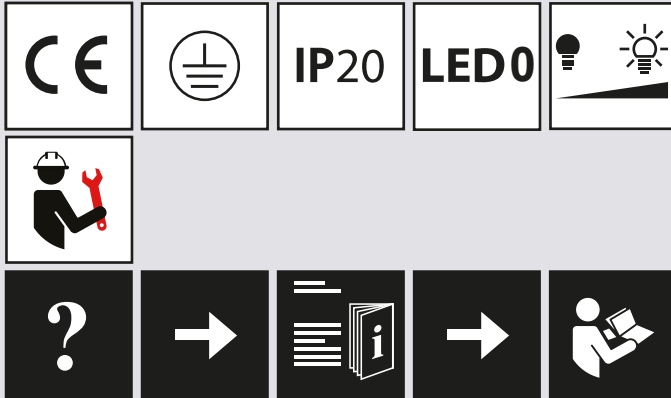
Ripple Cluster

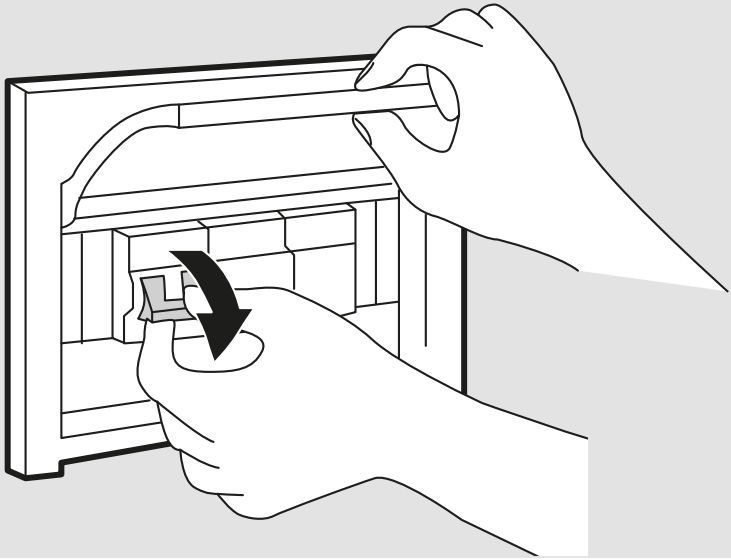
design
BIG



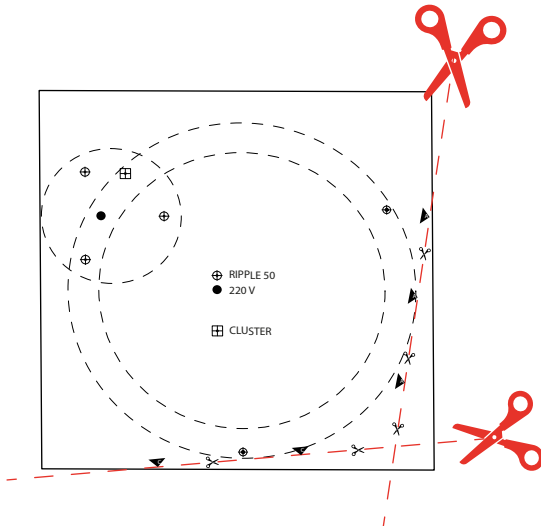


i

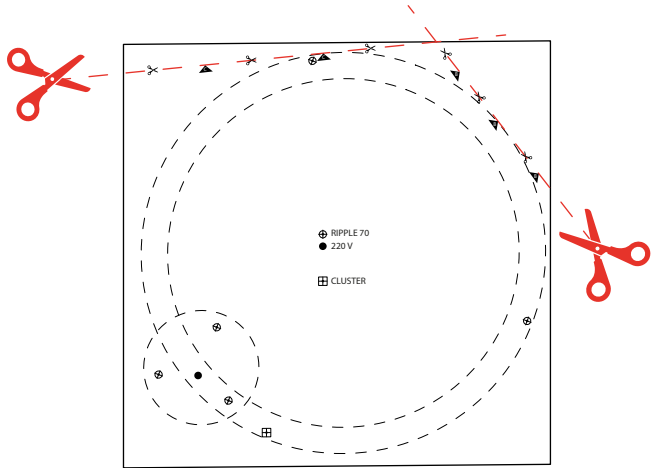




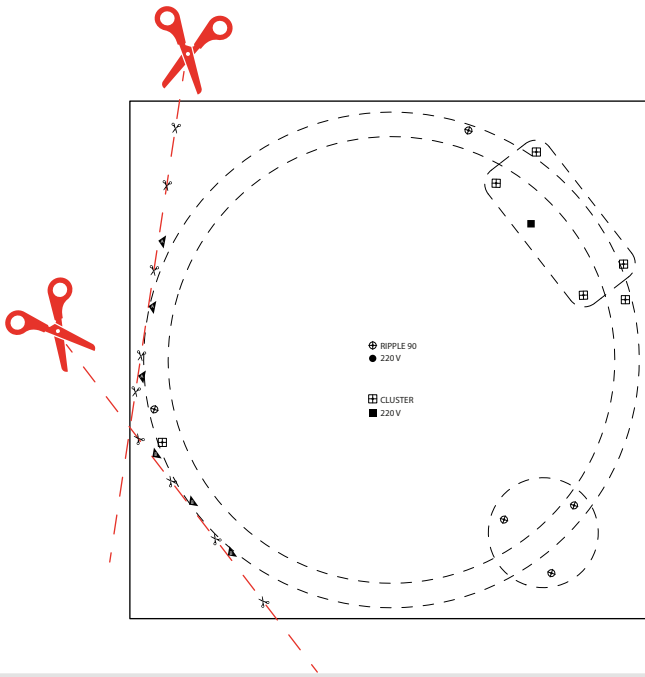
1

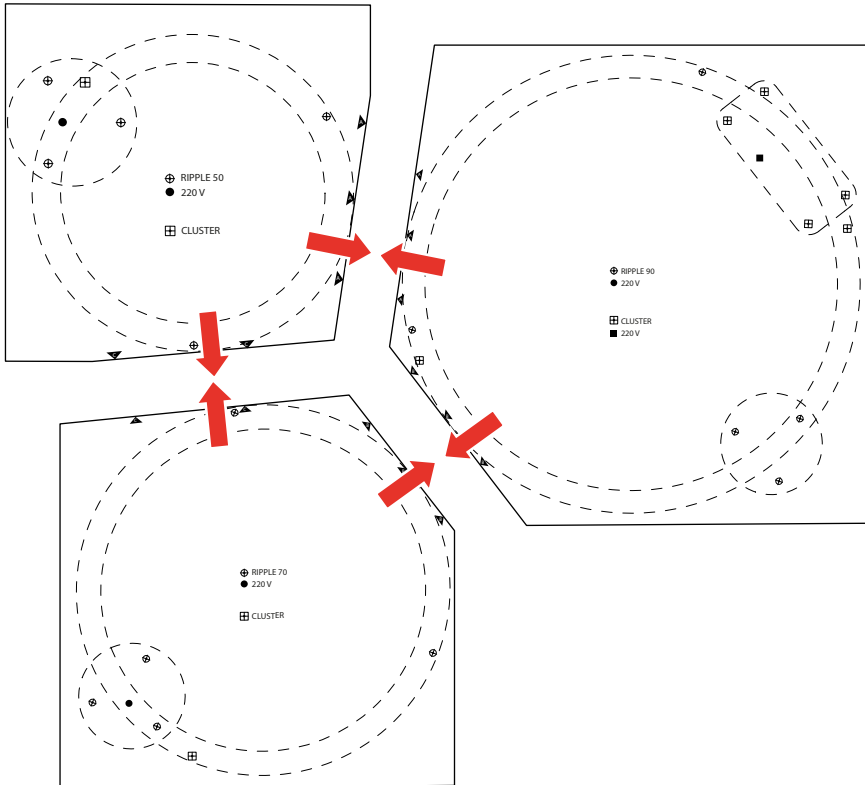
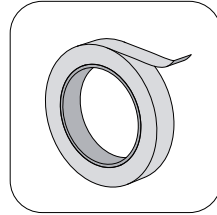
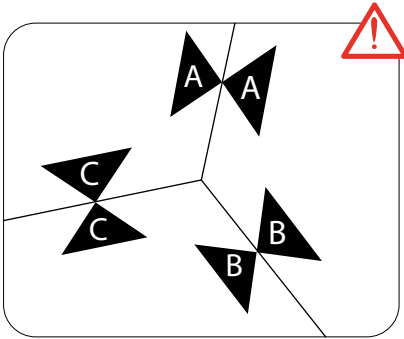


2

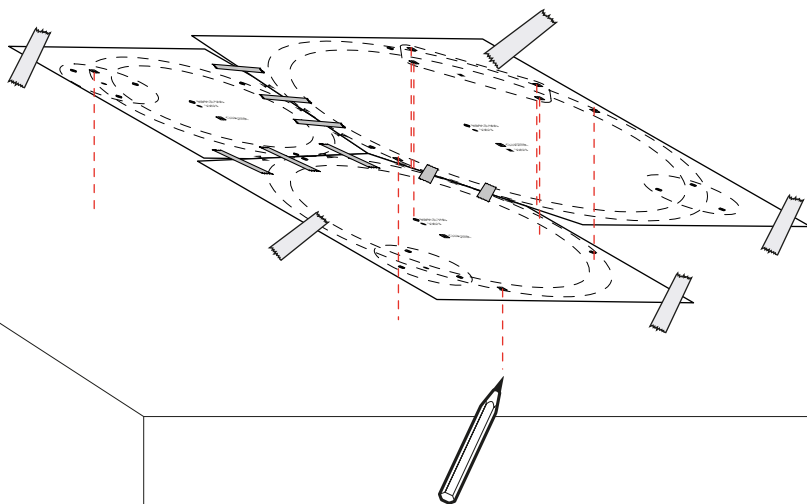


3





5



RIPPLE 50/70/90



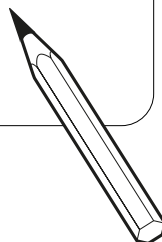
220 V



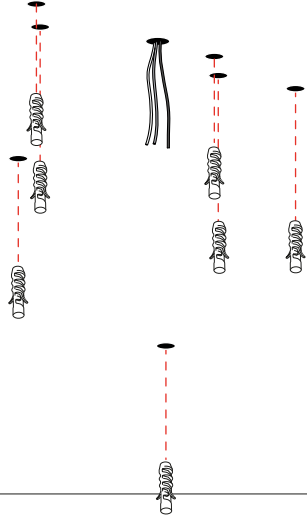
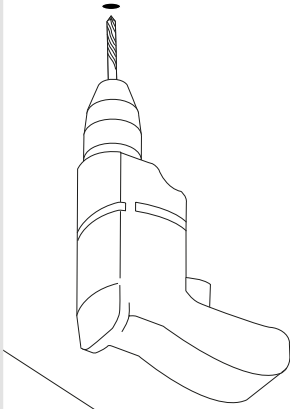
CLUSTER



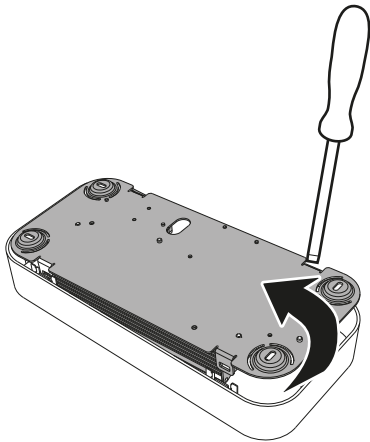
220 V



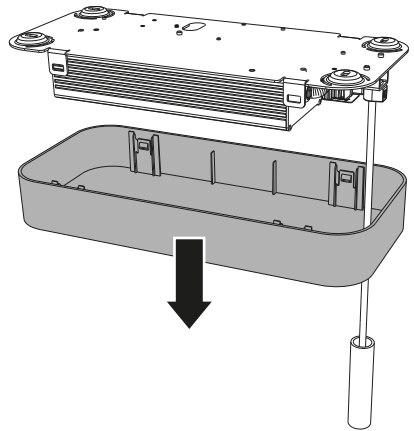
6



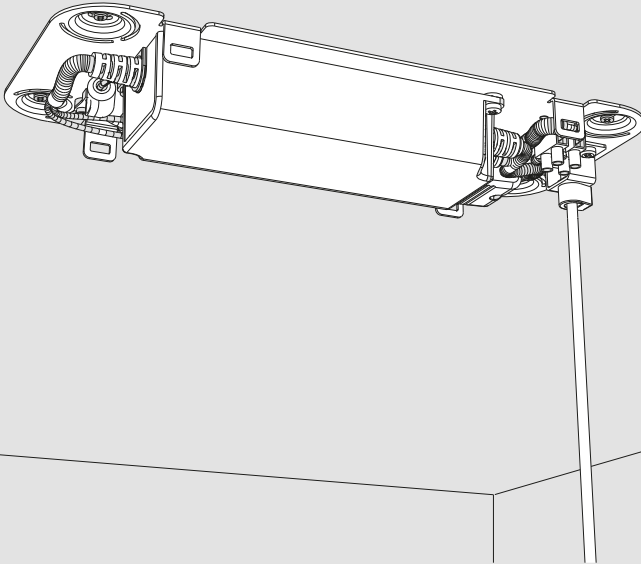
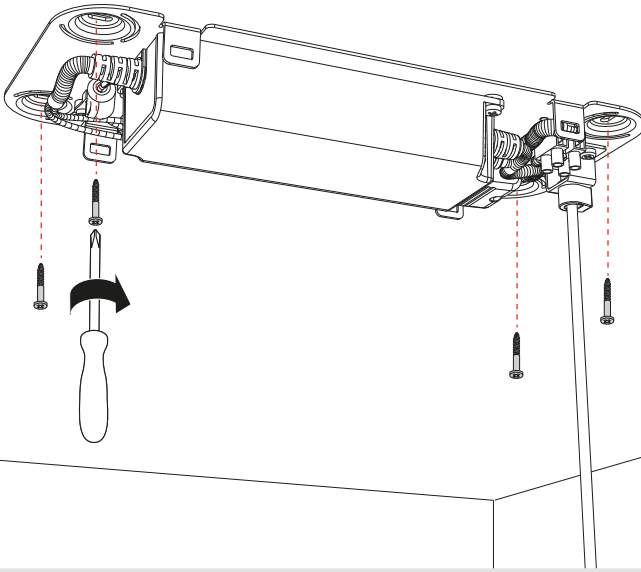
7



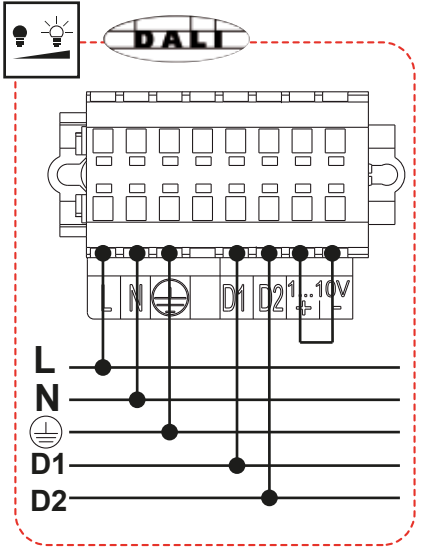
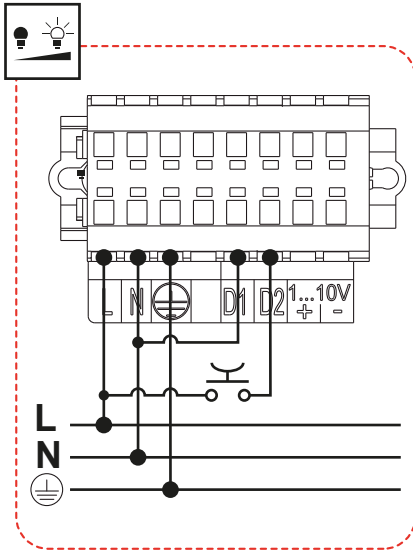
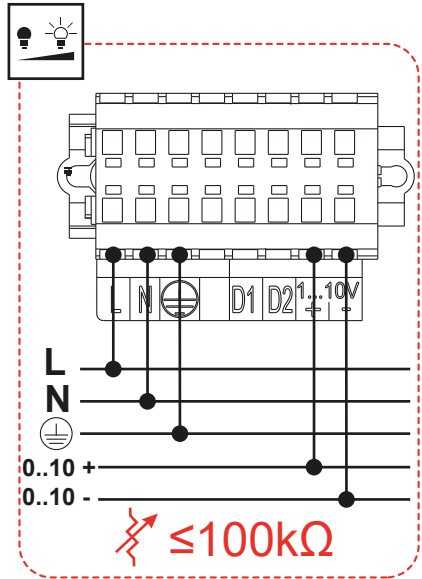
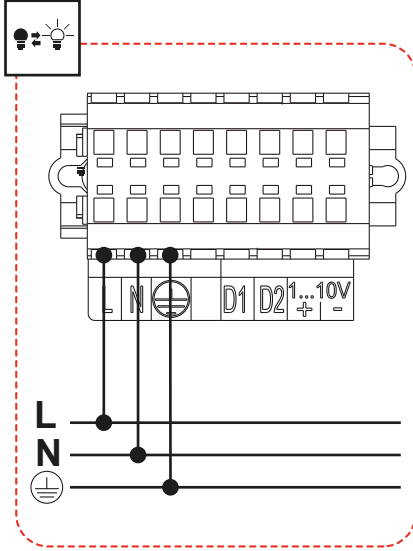
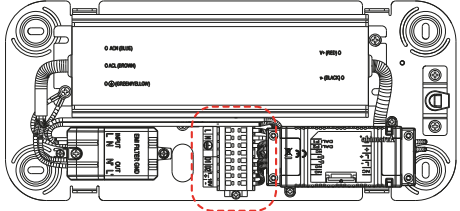
8



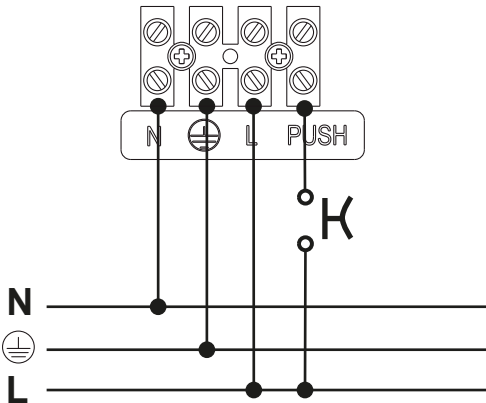
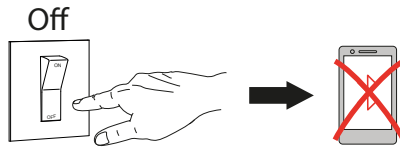
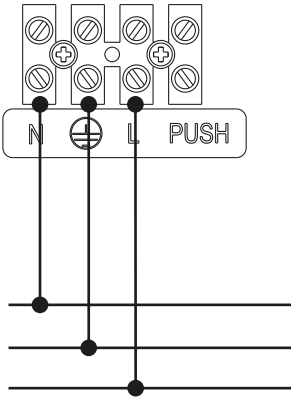
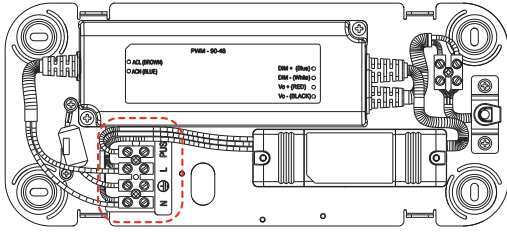
9



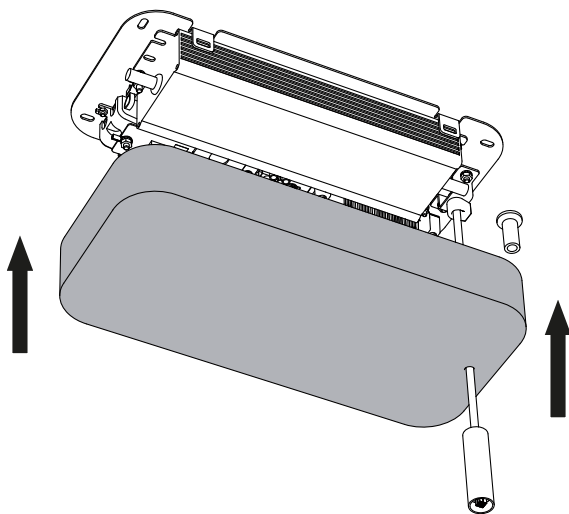
10a



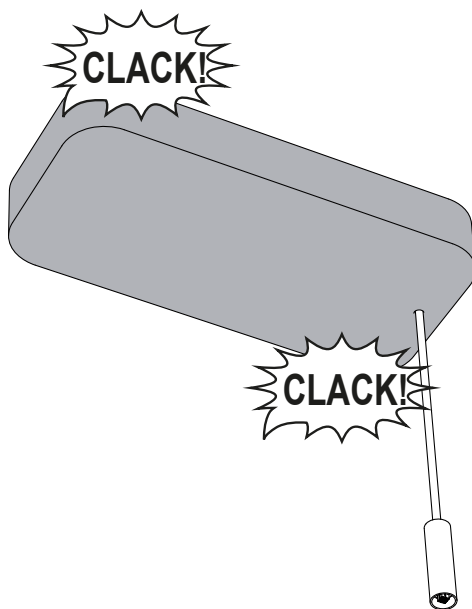
10b



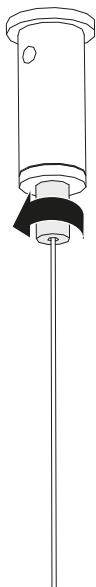
11



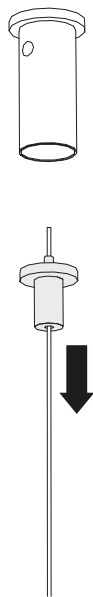
12



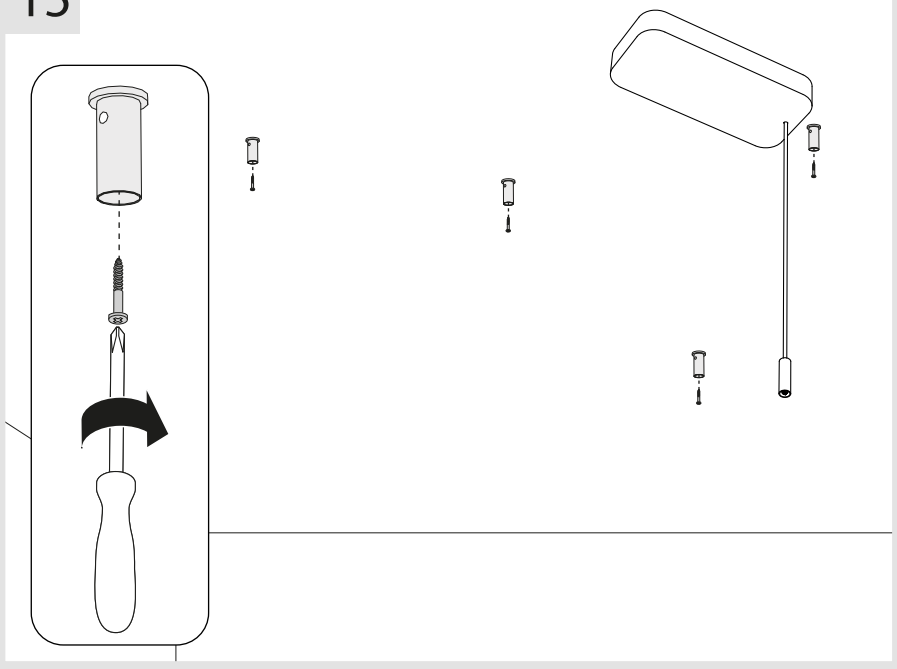
13



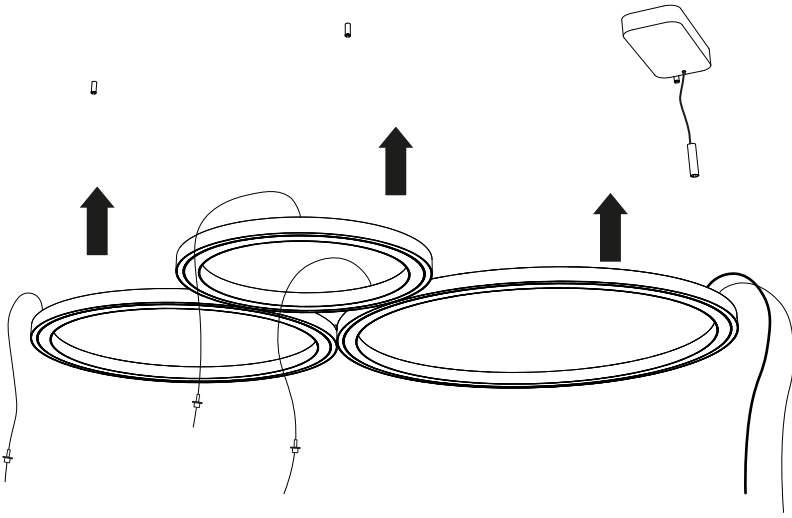
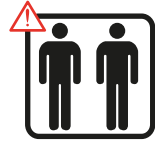
14



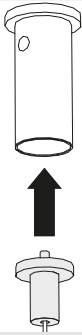
15



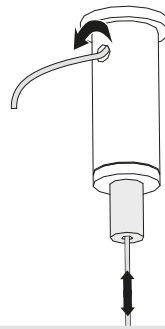
16



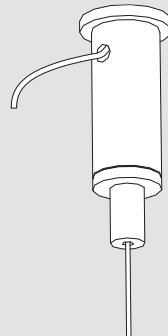
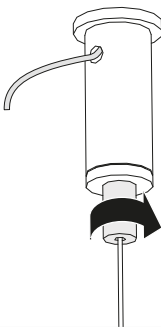
17



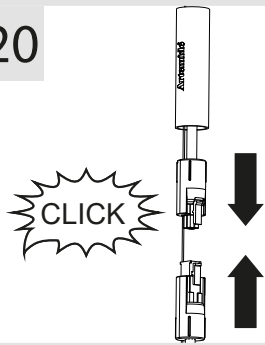
18



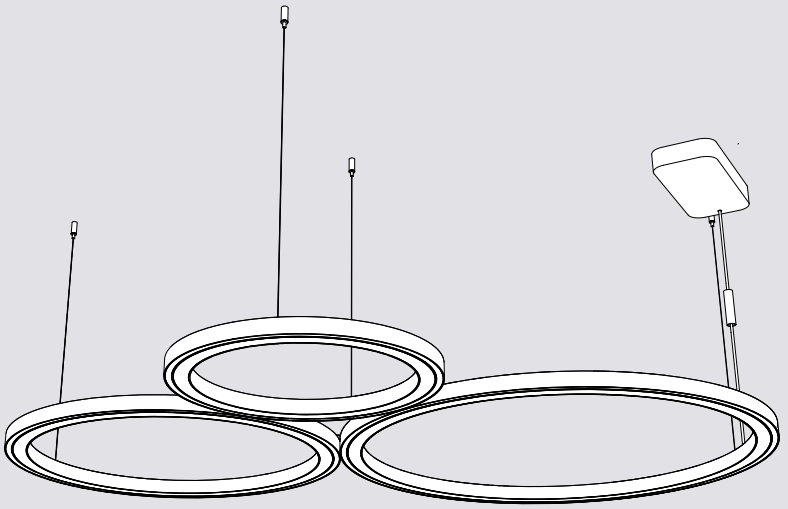
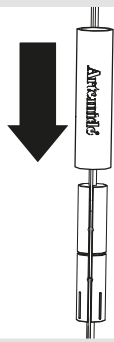
19

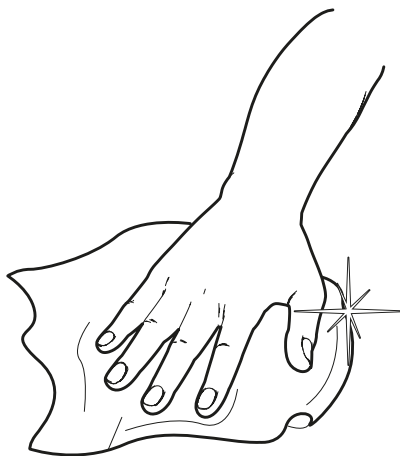
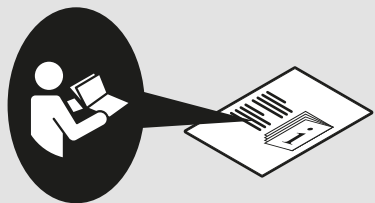


20



21





Artemide®



Artemide

via Bergamo, 18
20010 Pregnana M.se (MI)
ITALIA

tel. +39 02 935 181
fax +39 02 935 90 254
fax +39 02 935 90 496

www.artemide.com

VAT IT00846890150

cod. Y513001306A